

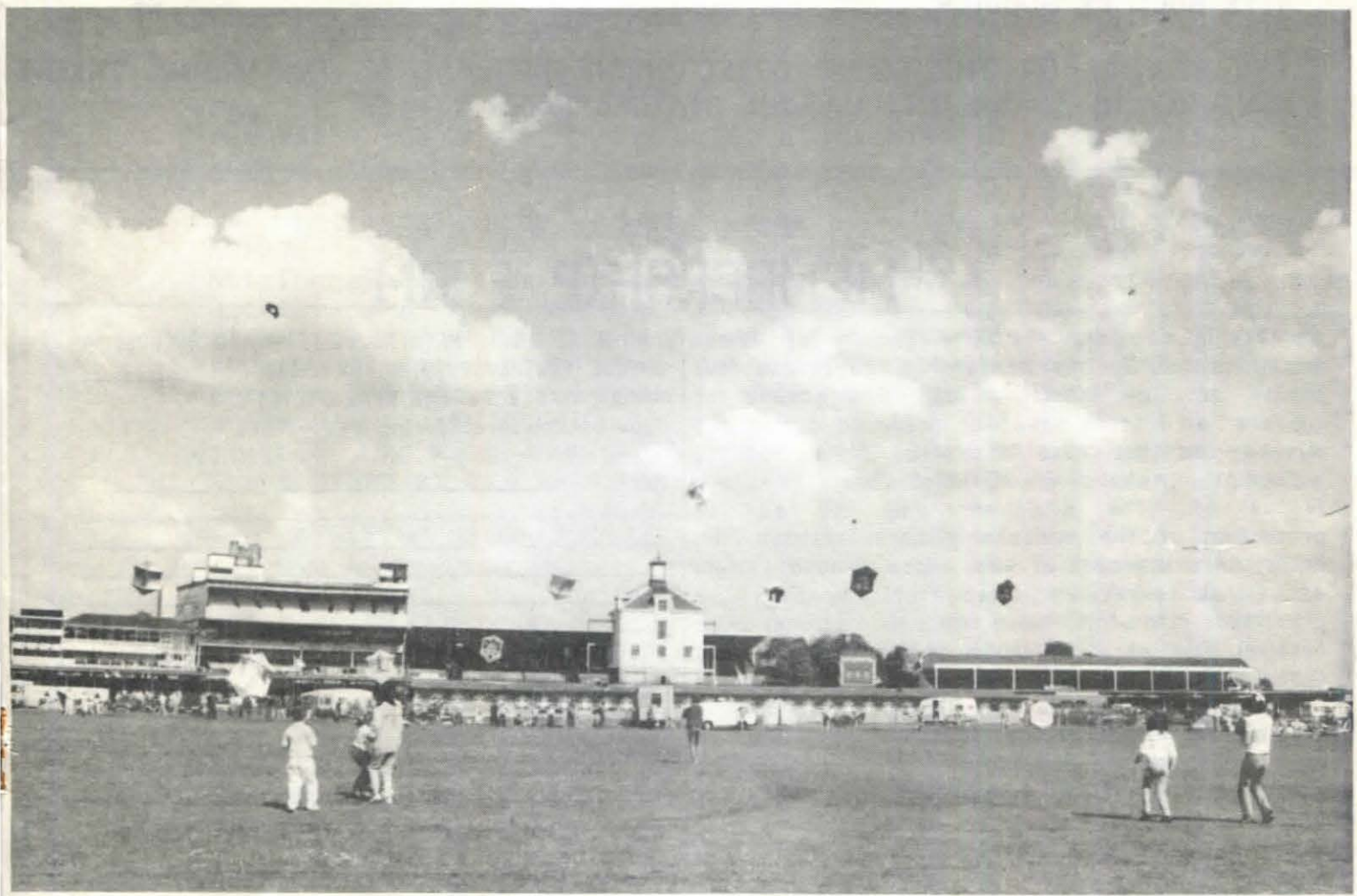
our copy

85p

THE KITEFLIER

NEWSLETTER OF THE

KITE SOCIETY OF GREAT BRITAIN



INCLUDING
MIDLAND KITEFLIERS NEWS

ISSUE 35

APRIL 1988

CONTENTS

EDITORIAL	3
LETTERS	4
KITE DESIGN	8
GENERAL INTEREST	9
RENDEZVOUS YORK	12
EVENT NEWS	14
KITE DESIGN	16
LOW LEVEL KITE PHOTOGRAPHY	17
EVENTS LIST	19
MIDLAND KITE FLIERS NEWS	20
KITE SOCIETY GOODIES	24

THE PICTURE ON THE FRONT COVER SHOWS SEVERAL OF THE TEAMS TAKING PART IN THE ROKKAKU CHALLENGE AT YORK IN 1987.

MEMBERSHIP FORM

Membership fee for the Kite Society of Great Britain is £6.00. This membership fee covers four issues of "The Kiteflier" and five issues of "Update" an interim newsheet produced during the summer months. Also available is a reduced subscription rate of £4.00 which covers the four issues of "The Kiteflier" only. In addition production of the membership card entitles the holder to a discount at kite shops around Britain as well as several in Europe. Finally members are permitted into the twice annual national kite festival held at Old Warden in Bedfordshire and other selected festivals free of charge.

Supplementary membership is also available to people living at the same address. This cost £2.00 and entitles the holder to discount and free entry to Old Warden.

Samples of newsletters are available from the address overleaf. These cost 1.00 each including postage.

If you wish to join The Kite Society please fill in the form below and send it to address given. All cheques, Postal Orders or Money Orders should be made payable to The Kite Society.

I WISH TO JOIN THE KITE SOCIETY AND ENCLOSE A CHEQUE/POSTAL ORDER/MONEY ORDER FOR _____ MADE PAYABLE TO THE KITE SOCIETY.

Type of membership required - FULL
REDUCED

NAME. _____

ADDRESS. _____

POST CODE. _____

TELEPHONE. _____

SUPPLEMENTARY MEMBERS.

Please tick this box if you have any objections to your name and address being held on our computer system. The information is used for the sole purpose of sending you your magazines and other mailings from The Kite Society.

FOR OFFICE USE ONLY. RCVD:
PROC:
SENT:
NO:

EDITORIAL

Dear Reader,

We have been asked a number of times where the discount is available. A five percent discount is offered to Kite Society members at the following shops:-

The Kite Store, 69 Neal Street, London and 3 Marlborough Court, London
The Kite and Balloon Co., 613 Garratt Lane, London.
Malvern Kites, The Warehouse, St Ann's Road, Great Malvern.
High Flyers, Polzeath, Nr Wadebridge, North Cornwall.

Several stall holders who regularly attend the festivals also offer a discount to our members. When buying ask them.

Your membership card, as well as giving you discount also allows for free entry into the twice-annual event at Old Warden in May and October and entry into Wroughton in August.

With regard to public liability insurance. Some people believe that membership covers this insurance. This is not the case. We have always recommended that people look to their household insurance and extend the cover for public liability to kite flying. The majority of insurance companies are quite willing to do this and normally do not charge.

Just a reminder to say that the 1988 Rokkaku challenge heats are being held at Blackheath at Easter, York, Shrewsbury, Washington, Wroughton and the finals in Bristol. Are you entering a team?

One last thing. Rendezvous York is the first attempt in this country at holding a general non-flying meeting for kite flyers. It is something that could grow bigger each year. Even if you are not going to York please support the Rendezvous by donating something to the auction or sending an entry for the competitions.

If you are going to York don't forget to come to the Rendezvous and send us your donations for the auction now!

See the RENDEZVOUS YORK pages for further details.

GILL AND JON BLOOM

THE KITE SOCIETY
OF GREAT BRITAIN
31 Grange Road,
Ilford, Essex.
IG1 1EU

LETTERS

(In reply to Peter Grays' appeals for help regarding a) stabilising his Rokkaku kite and b) hot Knife cutting, we have had the following answers).

From Jim Rowlands:-

I would suggest that Peter increases the bow, making the bow on the lower spars slightly greater than that on the top. He might also think about increasing the length of all the bridles lines, and lowering the towing point slightly, by increasing the upper bridle lines a slightly greater proportion. Unfortunately both these remedies will increase the angle of attack which may in turn create other problems.

A second solution is to tape a weight, such as a short length of dowel or fibreglass along the spine between its centre and (upper) tip. The best position can only be determined by trial and error, although to get the best to fly stably he may have to tolerate some disfigurement, such as having the additional weight sticking out at the tip.

A sailmakers hot knife can be purchased from:- Lyteze Products Ltd, Brightlingsea. They're not cheap, with VAT and carriage, my 75w Mark 4 worked out at £35 and that was two years ago. It is very good for ripstop, even the heavier grades but should not be used with polythene, in fact I wouldn't recommend hot cutting polythene at all. A brief introduction to hot cutting is of course included in my book.

From Martyn Lawrence:-

To stabilise your Rokkaku here is a short list of things you can check and try:-

1. Check kite for balance and symmetry. 2. Check spars for balance and equal flex throughout. 3. Check bridle is equal on either side. 4. Put a bit more bow into the spars. 5. Move towing point down the bridle a bit. 6. The spars you are using maybe too rigid and heavy.

A hot knife is simply a knife that has been heated enough to melt through the material and in the case of ripstop nylon it seals the edges to prevent any fraying. An electric version is a soldering iron. A 25watt soldering iron is said to be sufficient but I find this a bit slow and prefer to use one of 45watt.

From Ted Fleming :-

On the question of instability of the Rokkaku kite, advice from Japan, reported in both the Belgian Kite Journal, Highlines, and Kiteflier, explained that the Rokkaku should have the lower triangle made larger than the top one, which, I believe would assist the stability. A long length of bridle was also mentioned. The references are :- NCB no 28, Highlines vol 7 no 3, The Kiteflier no 31.

(Following the article by Peter Mason in the last newsletter regarding Aerial Photography, we have had the following letters.)

LETTERS

From Martyn Lawrence:-

I read Peter's article in the last magazine, I don't really have much experience of aerial photography - only done it once, but here is a brief account of what was done.

The camera used had a self timer of about 10 seconds delay. For first attempts the camera was attached to the line close to the kite, but on a trial run we could see that the camera was swinging about too much for a clear picture. In the end we attached the camera to the line 100'-150' from the kite. The kite, a 15' delta, was sent up and got flying from the point the camera was attached. Someone else was positioned about 100' further down the line, when everything felt right, the camera was operated and let go of. From here it was up to the flyer to control things the best he could. The 10 second delay was enough time for the camera to gain height and steady itself and results were good. Incidentally, no carrier was used for the camera, it was simply lashed to the line.

From Raoul Fosset :-

Peering through the latest copy of the Kiteflier, I was attracted by the article on aerial photography by Peter Mason. One point I would liked to clarify was, how old is Peter Mason? From the front cover picture I assumed that he is a teenager, unless the project was carried out by one of the teachers, since all the proceedings were taking place, as I again assume, on school grounds. (Editors note:- Peter Mason is in fact a teacher.)

With this short note, my intention is not to offer Peter a full course on aerial photography by kite, it would take a full issue of the Kiteflier to cover the subject, but rather give him a few hints so that he may stand a good chance to preserve his precious camera and more importantly, avoid injuries to bystanders. The first rule in aerial photography is SAFETY.

Since Peter seems to a newcomer to the kiteflying community, I feel that it is our duty to let him know the basics of photography by kite. By chance he chose the right kite to begin with. The Delta is a forgiving kite and leaves little chance to mishaps other kites may be prone to. The size of his kite seems to fill the bill as far as lifting power is concerned, and his choice of camera equipment is strictly a personal one, as it should be.

Now Peter, here's the second rule. Do not attach your camera rig to the kite. As all kitefliers know, the most critical moment in flying a kite is the take-off and the landing of it. Due to ground turbulence, the kite is easily put off-balance and may suddenly veer one way or the other and crash, the extra weight of the photo rig may increase the risk. The idea of a long launch was a good one but still risky. One never knows what wind conditions are one hundred feet above. Moreover, the long launch requires a lot of space. The best technique is to first, launch the kite right from the hand and once it has found its normal flying attitude, check if the lift is sufficient and that there are no undue turbulence. By the way, a drogue attached to the Delta's tail will prevent it flying overhead, where it is difficult to control and where it loses a good deal of lifting power.

LETTERS

Once the kite has found its proper flying attitude, you then attach the rig to the tether line by means of a pendulum which will then dampen very effectively the swinging motion of the rig and therefore insure sharper pictures. This way, your camera will always remain horizontal and it will also be possible to aim the camera in any direction chosen. With the help of radio-control, we are now able to train the camera vertically and horizontally and also trip the shutter at the most appropriate time when the camera is completely still.

Following these basic rules, you will discover that aerial photography by kite is not an approximate discipline and that it may prove to be a very exciting and rewarding change to plain kiteflying.

Editors note:- If anyone is interested in discovering more about aerial photography, we suggest they get in touch with the Kite Aerial Photography Worldwide Association - (K.A.P.W.A.), who produce an excellent bi-lingual magazine, their address is:-

K.A.P.W.A., Michel Dusariez, Avenue Capitaine Piret 14, 1150 Brussels, Belgium.

(Another plea from help for one of our readers.)

From Nicholas Wadsworth:-

Can any reader suggest where I can find a discussion of the aerodynamics of kite stability? I am familiar, at least in outline, with the way fore-and-aft stability is determined by lift and drag, and the way these change with angle of attack, and with the influence of dihedral and near vertical surfaces on stability in roll. What I am looking for is, for instance, a discussion of the combined yaw and roll instability which seems to be a very common instability in practice.

Most popular kite books confine themselves to a few brief "rules of thumb". There must be a more detailed discussion somewhere. Where can I find it?

Nicholas can be contacted at 31 Merriefield Avenue, Broadstone, Dorset BH18 8DA.

(Two points of view regarding the proposed affiliation of kiteflying into the Federation Aeronautique Internationale (FAI)).

From Ted Fleming:-

News is given in the Jan/Feb issue of "High Lines" - (journal of The Great Ouse Kite Fliers), of a discussion about kiting and the FAI which took place in Paris and was attended by Ron Moulton, but so far there seems to be little or no reaction reported in this country or abroad. It seems to me that there are two main areas where a strong international body might be of benefit.

Firstly, on the question of air safety. The London Docklands airport was

LETTERS

recently in the news when the London - Paris shuttle was suspended due to frequent near misses with light aircraft. This brings to mind the hazards which often occur when light aircraft intrude upon kite airspaces even when the C.A.A. (Civil Aviation Authority) height clearance has been granted. In Belgium last year, we experienced light aircraft passing below the airspace of high flying kites, and we were informed that there is no restriction on high flying kites in Belgium. In this country it is believed that the "notices to airmen", (NOTAMS) are not widely read by the pilots save perhaps in the immediate vicinity of the kitefly. So maybe the Royal Aero Club could look into this, if kitefliers become affiliated.

Secondly, on the matter of festivals I feel that there is a need for international co-ordination by a central body of the date of events. For instance, to be styled international, an event might have to meet certain criteria as to finance etc, and not clash with any other date in a given continental area i.e. Europe, America, Far East, etc. Lesser events might be classed as national, community or club events and be allowed to struggle with the international events. This might lead to some deep thought, of course, on the possible loss of sponsorship.

It all adds up to the fact that, some young energetic individuals would have to come forward, and be elected to represent kitefliers in general and to receive subscriptions and attend the committees and so on. Furthermore the problem of getting international agreement will not be easy to solve and will, no doubt, require much compromise from all concerned.

From M. Sawyer:-

I am sceptical. Very frightened of having our "wings" clipped by imposed rules and regulations of such high bodies as the FAI. Further the activities of such august bodies as the FAI are not carried out without the absorption of large sums of money and I would need a lot of convincing that kiteflying should be expected to contribute to this - and surely this would be expected?

Kiting is a relatively low cost sport and I doubt there are many well-off people in the Kite Society. As of now, participants can spend very little, or a little more, as they wish. When Big Brother gets in on the act we might, for example, be required to carry "over the top" levies and insurance, our kite string will, (perhaps) have to be certified kevlar just to keep the price up, dropping something from a kiteline might well be banned.

Let us see what goodies and what help might come from the FAI free of cost or incumbrance before we move toward them. If they want us in, they must feel there is something in it for them, so how much money or what kind of services are they prepared to dish out in return?

(If you have anything to say on the subject of kites and kiteflying then send your thoughts to The Kite Society, 31 Grange Road, Ilford, Essex IG1 1EU)

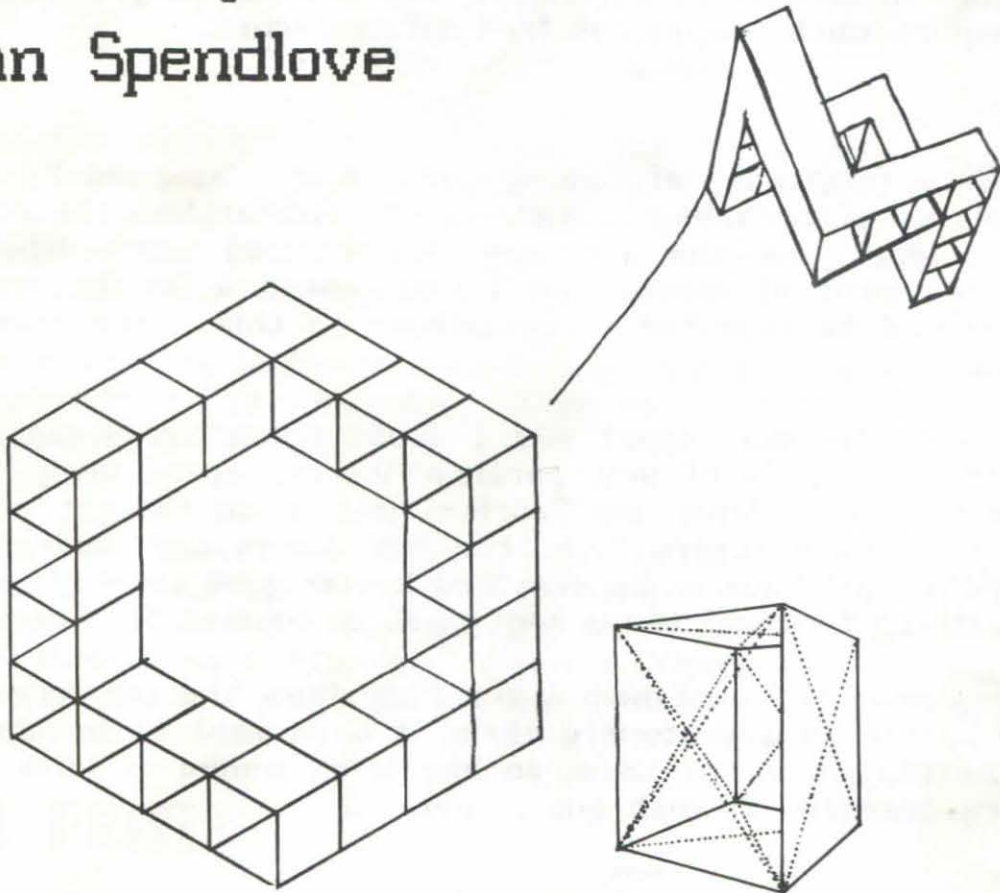
GASKÓ MÁTYÁS BOX KITE

Bodóczy István, author of a Hungarian book on kites and founder of the Hungarian Kite Club, sends me copies of its magazine. Issue no 8, from last summer, has on its front page a plan of a basically simple but highly unusual box-kite, by Gaskó Mátyás.

The sketch below shows the novel and, I think, attractive shape of the kite clearly, which is just as well, since I can't think of a way of putting it clearly into words. Each individual cubic element is 15 x 15 x 15 cm, or marginally under six inches, which makes the maximum size of a side 60cm or just over 23 1/2". So far as I can deduce, the kite isn't collapsible; every edge is bounded by split bamboo of 2 x 2mm square section - say one-twelfth of an inch - and the shape of each cell is maintained by full diagonal bracing with thread. The sail-cover is stuck to the framework, but, unfortunately, I haven't been able to find out what the sail is made of; the word isn't given in the only Hungarian dictionary I've been able to find. However, since it occurs in the list of sail materials given in Bodóczy István's book between tissue paper and wrapping paper, it seems safe to assume that "skiccpausz" is a similar sort of product.

The kite isn't bridled: the line is attached directly to the frame at one of the corners. Two of the corners are for the normal flight mode as indicated in the little perspective sketch, the other four may be tried for "asymmetrical" flight.

John Spendlove



GENERAL INTEREST

KITE CATALOGUES.

We have received three new kite catalogues. The first is from a Dutch Kite Maker - Vacuum, who have produced a range of some of the most unusual kites we have seen. The designs range from three sailed rollers to sailing ships, three dimensional castles, cars, trucks and a superb early american style locomotive. Also some rather unusual parafoil/paraflute type kites including dome and saucer shaped kites. The range also contains many other box types including an extended wing Cody. To obtain a copy of their catalogue (which itself is a superb production) write to Vacuum, PO Box 820, 3500 AV Utrecht, Holland.

The second catalogue is from Morgan Kites. It is a range from simple Malays to more complicated boxes and parafoils. Paul Morgan says that he has several new designs up his sleeve for 1988, and as many kitefliers know he is usually selling kites at most larger kite festivals. A copy of the catalogue can be obtained by writing to Morgan Kites, 7 Sunnyfields, Bell Lane, Shrewsbury, SY2 5EW. Tel 0743 68516.

The third catalogue is from Gillott Kites. They produce a small range of more traditional kites - diamond, box, delta etc., made of ripstop nylon. Most of the kites have designs on them including a flying pig, a flying thunderstorm etc. For a copy of their catalogue write to Gillott Kites, 123 Hockley Street, Hockley, Birmingham, B19 3DP. Tel 021 554 3508.

We have also received news from kite manufacturer Cochranes of Oxford (Dunford Kites) who are introducing a new range of kites called Orbit. Consisting of three new kites - the snap stunter, the snake and the rabbit. All have fibreglass spars. All major kite shops, toy shops etc should be stocking these soon.

Also, received with a copy of Whats Up? (newsletter of the New Zealand Kitefliers Association), an interesting sheet about kites from around the world. An importer in New Zealand has kites from Bali - mainly bird kites. From Singapore - various bird and insect kites. Tissue fighter kites from Indonesia, mylar fighters from India, also traditional tissue fighters, fancy or custom. Also Tukkal and star of India kites. Both personal and wholesale enquires are welcome. The address is Grimalkin Distributors (NZ) Ltd, 22 Wilton Street, Grey Lynn, Auckland 2, New Zealand. Tel 09 765 172.

KITE MATERIALS

Two sources of kite materials:-

From Jim Rowlands, 50 Old Brumby Street, Scunthorpe, DN16 2AN.

Bulk supplies of polythene (ideal for workshops). I have managed to negotiate with a local manufacturer the production of 300 gauge layflat polythene tube 60cms wide in a range of colours (red, blue, yellow, pink, orange and white) in relatively small manufacturing quantities - 100kg per colour - but this in kitemaking terms is of course an awful lot. I would like to hear from anyone willing to take a share, at least 50kg of mixed colours. The cost will work out at around £1.35 per kilo or 10pence per linear metre.

From Jack Crouch. As mentioned in the last newsletter Jack had a range of tyvek for sale, he now has a fuller range available. Available in black, green, green linen, grey linen, light blue, flame orange, red, dark blue, and sky blue all 60" wide and at 48" wide double sided silver coated. These all cost 70pence per metre (postage paid). Jack also has silver and white polyester film, ideal for fighters at 50pence per metre (postage paid). For more details or samples send a SAE to Jack at 829 Belmont Road, Bolton, Lancs BL1 7BU.

We have also received an excellent Kite Information Pack produced by Adam Sutherland for his kite workshops. This package contains all the information you could need about suppliers of materials such as ripstop nylon, tyvek, fibreglass, bamboo, kiteline etc, etc. Unfortunately it's quite a tome, but if anyone is interested send £1.00 to cover copying, postage and packing to the Kite Society.

ARTICLES ON KITES.

There was recently an article entitled "Spectacular Kites" in the British Airways Highlife magazine (February 1988). The article gives an concise description of Japanese kite festivals, but has some

GENERAL INTEREST

quite nice colour photos of kites ranging from 11' to five centimetres in size.

Jim Rowlands sent us a copy of an interesting article that appeared in Radio Communication - February 1988. Called Kite-bourne Antennas for HF Portable Operation. It outlines various ways to loft an aerial by kite. An interesting article it concludes that kite-bourne antennas add a new dimension to portable hf operation and can dramatically improve reception and transmission compared with more conventional portable antennas.

NEW BOOKS.

Jim Rowlands' book "Making and Flying Modern Kites" is now available. (See Goodies page).

The following review has been submitted by O.Thomas.

The American magazine Kitelines has, by way of an amusement a standing joke about the worst kite book of all time, and now, at long last, the British have a worthy contender for this title.

Modern Kites by Jim Rowlands purports to give a description of the history and construction of many different types of modern kite.

In true, classic, kite book style we are treated to an introduction to the seven basic kite configurations (but what about the others!), basic kite aerodynamics (ho-ho) and kite nomenclature. Now comes the fun part - Evolution of the kite - whether the artist was to blame or the author I doubt we will ever know but this chapter contains some of the greatest kiting funnies you will ever see or read. The basic premise for this chapter seems to have been a) never directly attribute the inventor of a kite even if they are well known, b) pad the text with anyone and everyone the author has known to make the kite and c) try to classify any and all kites into one of the basic seven categories. My favourite subsection here is the one describing Stunters - clock the drawings of the single line Ace Stunt Train, the Dunford "Fying Machine"(sic), the Hyperkite hyperspace bridle system and the Avenger Stunter Kites which, apparently were invented by Don Tabor!

Next, we are treated to the delights of materials and construction techniques - again some wonderful drawings - my favourite here is fig 4.3 Welding polythene (with a soldering iron and using fingers as straight edge). Also worthy of mention the picture of rolls of different kite lines - did you know that button thread comes on smaller spools than big thick line - amazing.

And so on to the mandatory "Go fly your kite" section - I looked at this chapter and suffered a sense of Deja Vu, so I looked back to Ron Moulton's book Kites, the sense increased - same chapter name, same page number, awfully familiar "where to fly your kite drawings" - curiouser and curiouser, but apart from this not much wrong here apart from the silly method of winding line onto a wooden handle (fig 5.8).

And now, the bit you've been waiting for, Modern Kites. Well, of the thirty designs published here ten are going to be unflyable due to omitted information, thirteen are reprints of other people's designs and the designs for parafoils are poor. In fact, since my specialised field of knowlegde in kiting is soft kites, the twaddle perpetuated here galls me no end. An example of twaddle, to quote "The most common aerofoil section used with parafoils is the Clarke Y with the section depth of 18% of the chord" - no, no, no the Clark Y is a specific wing section with a thickness of 11.7% and any section with a thickness of 18% ain't Clark Y.

By way of summary, given that the book is supposed to be about modern kites, my judgement would be that it fails to do this competently - it is all very well to give plans for eight marginally different deltas or four "different" sleds, but essentially this is still only two "modern kites" even though they have used up 1/3 of the space devoted to designs. To be honest the techniques of space - fill (large useless drawings, tacky split layout) used throughout the book simply disguise the basic inadequacies of the book - to meet the description on the cover I feel it should have been shorter, more detailed, better researched and had a good deal of the oft repeated kiting lore dumped out at the editorial stage to leave a book about "Modern Kites". O.T.

News of another book being translated from the German, called Making and Flying Kites by Wolfgang Schimmelpennig. We have seen both the original German version and the proofs of the English version and were very impressed. It has good clear diagrams and features some unusual designs. The book is

GENERAL INTEREST

being published by Hamlyn Books and will retail at about £4.00 - due out this Autumn. We will endeavour to obtain copies as soon as possible.

WORKSHOP PLEA.

We have had an enquiry - well more like a plea - for someone to help run a kite week at Palmers College, Grays, Essex. They need experienced kitemakers/flyers to share their expertise and skills with the students. The organiser Chris Taylor says "We are desperately short of people who are familiar with some of the real do's and don't's of kitemaking". It is anticipated that a fee and expenses would be paid to anyone who helped with the programme over the period. The proposed dates are the weekdays between Tuesday May 3rd and Friday May 13th. If you are interested contact Chris on 0375 37012.

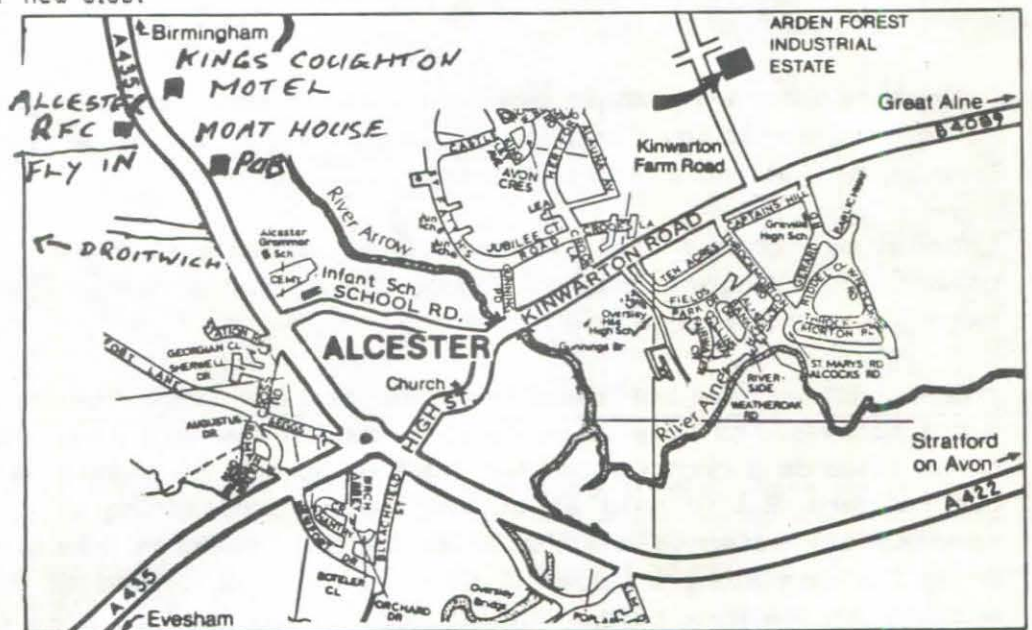
ROYAL AERO CLUB

The Royal Aero Club have organised a Youth in the Air competition. The aim is to encourage and stimulate the enthusiasm and energies of young people through involvement in and contact with aeronautical activities. The linked Award Scheme is for young people aged 14 to 21. This is the first year of the scheme and Kites have been included in one of the Area of Activities that are eligible. It involves designing, building or flying kites. For more details contact Youth in the Air Information Line, Aviation Publicity, Fair Oaks Airport, Chobham, Surrey GU24 8HX tel 09905 8670.

NEW GROUP.

As mentioned in the Midland section Fred Taplin is in the throes of organising a New Kite Group - The Alcester Kitefliers. Fred writes as follows:-

By kind permission of the Alcester Rugby Club we have a flying area sited on the A435 Alcester to Birmingham Road. We have our first fly-in on Sunday 8th May and all kiteflyers are welcome. Start 10.30am with hopefully an official opening by the High Bailiff and Town Crier plus the local press. Our fly-ins after the inaugural meeting will be held on the 3rd Sunday of each month throughout the year, so please do try to support our new Club.



FROM THE SUN

"Schoolgirl Deandra Anrig was determined to hang on to her favourite kite ... even when it wound round a passing plane's propeller.

"WHOOOSH! Eight year old Deandra soared through the air as she clung desperately to the nylon rope. Her father Brad looked on in horror as she flew above him. 'Let the kite go' he yelled but Deandra, now 10ft off the ground, kept hanging on ... for 70 yards until a nasty treetop loomed ahead. She let go fell into a field and escaped with bruises. She said 'I didn't want to lose my kite'"

RENDEZVOUS YORK

As mentioned in the last newsletter the Kite Society has proposed the idea of a pop-in day for Saturday 28th May before the York Kite Festival. Well from little acorns things have grown, and the event looks more like a full blown conference but still retaining the informality we originally envisaged. Some members have been very generous and volunteered their skills without being asked, but we need more volunteers (see below) for various activities.

We now have two rooms at the Priory Centre (see map for location and car parking facilities). The Conference will start at 10.00am and finish at 5.00pm for members of the public, Kite Society members and their families have use of the rooms until 9.00pm. The cafeteria is open from 10.00am up to 5.00pm and serves tea, coffee, light snacks and simple lunches.

In the larger of the two rooms the following activities are planned:-

Kite stalls. We have (at the moment) four stalls, Paul Morgan - Morgan Kites selling his complete range; A and K Kites selling a small range of fibreglass and material and a large range of ripstop kites, including Japanese style kites such as Surugas and Rokkakus (some of which are appliqued); Jack Crouch selling Tyvek and Mylar; and Ron Dell selling his kite bits - material, line, rings, fibreglass etc. We are still looking for traders, so if you are interested get in touch with us as soon as possible!

Exhibition of Kite Photography Competition Entries. This is meant to be a display of the entries to the competition announced in the last newsletter, but judging by the response so far, it will be a poor display. We need more entrants now. There are two competitions Best Kite Photograph and Best Kite Aerial Photograph. Each consists of two parts - a single kite photo and a set of photos (2 or more). Black and white or colour are both ok. Send your entry with the form below.

Collectors Exhibit. We would like your help to mount an exhibition of unusual kites, such as small kites, ethnic kites etc. You can drop them off as you arrive, but please indicate on the form below that you intend displaying.

Information Exchange. There will be display tables available for photo albums, kite plans and other useful kiting information. Groups could provide membership details and so on. Again we need our members to help with this one.

The Auction. We have borrowed this idea from our kiting friends across the pond where it is a big success. The idea is to raise funds for the York Kite Festival, and to provide some money towards a photocopier for the Kite Society to enable us to improve the services to our readers. But to hold an auction we need something to put into it. Kites or anything remotely connected to kites, such as badges, teeshirts, reels, books - the list is endless. Bring the item along or post it to us, but if you intend to contribute something for the auction use the form below. This will allow us to produce some kind of catalogue before the event to get people interested in bidding. We will need volunteers on the day to help coordinate this event. Again please indicate on the form below whether you would be interested in helping.

This is the proposed timetable for the talks and shows which will take place in the smaller room:-

10.00am to 11.00am Fred Waterhouse, expert on kite trains and workshops, will present an illustrated talk of his travels to the 1988 International Kite Festival in Weifang, China.

RENDEZVOUS YORK

11.00am to 12.00am Martin Lester, world famous kite maker known for his soft form bird kites, will demonstrate kite making techniques such as cutting out, sewing and applique. He will then hold a troubleshooting forum for kilters to discuss their kite making problems. So bring along that problem kite you might just find out the answer.

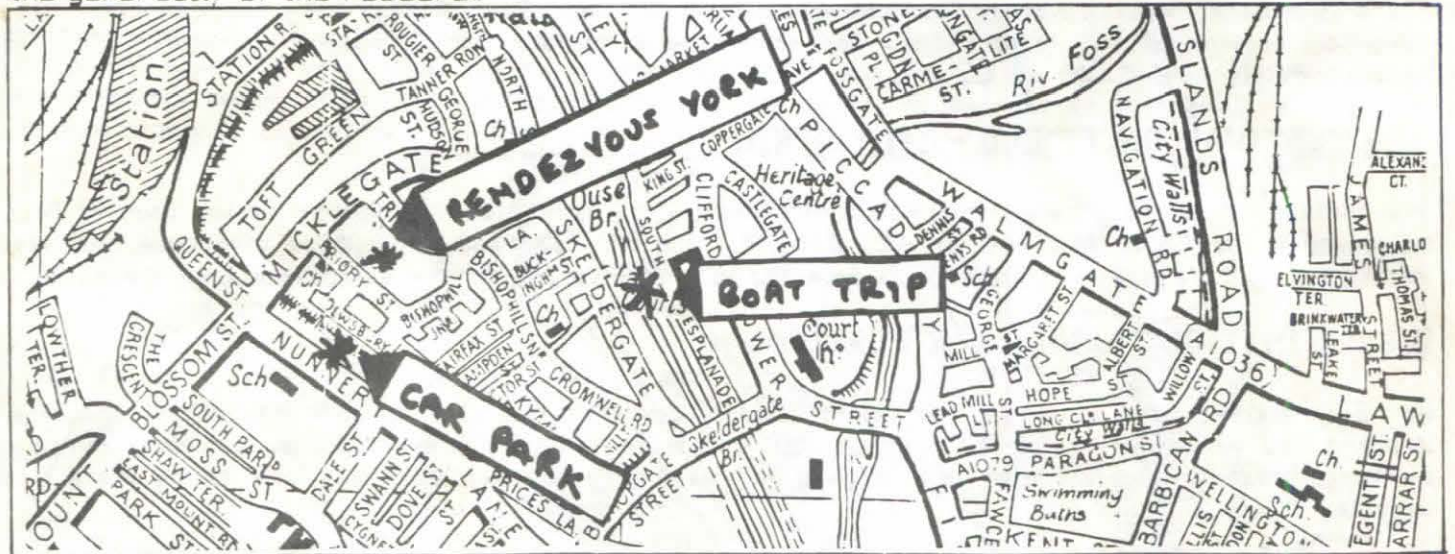
1.30pm to 2.30pm Adam Sutherland, organiser of the Festival of the Air and workshop organiser, will give an illustrated talk on Japanese kites, with a general history and hints on construction details.

3.00pm to 4.00pm Allan Davies, kite festival and workshop organiser, will give an illustrated talk/workshop session on paper kites and working with children.

4.00pm to 5.00pm Mike Bithell, member of the Snowdon Kite Club, will give an illustrated talk on the activities and kites of the Club. The talk will include some slides of last years York Festival.

6.00pm to 9.00pm a continuous running of video/cines of international events throughout the 80's. Taken by Tony Cartwright, festival organiser and well travelled kiteflier!

The main event of the day - the Kite Auction - will commence at 5.00pm in the larger room and will go on until we run out of items. So it could last 2 minutes or 4 hours. It depends on the generosity of the readers!



Return this form by the 9th May to - THE KITE SOCIETY, 31 GRANGE ROAD, ILFORD, ESSEX I61 IEU

PHOTOGRAPHY COMPETITIONS		
	Single	Set
Kite	<input type="radio"/>	<input type="radio"/>
Aerial	<input type="radio"/>	<input type="radio"/>

COLLECTORS EXHIBIT	
Displaying	Y/N
PLEASE DESCRIBE YOUR EXHIBIT BELOW.	

AUCTION - Please describe your auction item(s) below and indicate whether you will be sending the item to us or bringing it on the day. Also let us know an approximate value of the item.		
_____	_____	_____
_____	_____	_____
_____	_____	_____
SENDING	BRINGING	VALUE

NAME _____

ADDRESS _____

TELEPHONE _____

IF YOU WISH TO ASSIST IN ANY PART OF THE DAY BUT ESPECIALLY WITH THE AUCTION PLEASE LET US KNOW.

EVENTS

SHREWSBURY KITE FESTIVAL

We have been asked by one of the organisers of the Shrewsbury Kite Festival, Tony Slater, to remind everyone that this festival is on for two days - 2nd and 3rd of July. Camping is available on the site. For more details contact the Shrewsbury Kite Group at 128 Meadow Farm Drive, Harlescott, Shrewsbury SY1 4JY.

WELLS KITE FESTIVAL

News of an event organised by the Wells Arts Centre - based at Wells-next-the sea, Norfolk. August 19th and 20th kite making workshops with Don Dunford, August 21st Kite Festival with stalls, displays and competitions. For further details contact Eleanor Richards, Wells Centre, Staithe Street, Wells-next-the-sea, Norfolk NR23 1AN, tel 0328 710130

DUNKIRK

The French Friends of the Earth (Masion de l'Environnement) have again organised a Kite Festival in Dunkerque (Dunkirk) this year. It is on June 4th and 5th. They can provide free accommodation in a youth hostel (8 beds to a room, sounds cosy!) a free lunch on the Sunday and a reserved parking space on the sea front. There will probably be traditional music of Flanders on Saturday night and also a display of kites. There is also a good chance that they will be able to offer kites from Great Britain reduced fares on crossings from Ramsgate to Dunkirk with Sally Viking, these may even be free. For more details and/or registration (before 15th May) contact Masion de l'environnement, Fete du Vent, 42 Rue Winston Churchill, 59240 Dunkerque, France. Tel 28 59 20 44.

OOSTEDUINKERKE

There is also a Kite Festival at Oostduinkerke on the 7th and 8th of May. They too can offer free communal lodgings at the local hostel. For more details contact Dany Drowart, Voorhout 9, B-2781 Kemzeke, Belgium, tel 32 10 65 62 00.

NKG FESTIVAL SHEFFIELD - 24TH APRIL

The Northern Kite Group have organised a kite festival to take place at Rother Valley Country Park, Wales, near Sheffield. (grid ref. SK 453 826). Running from 10.00am till 6.00pm clearance has been received to 1000'. Access - junction 31 from the M1 - A57 to Sheffield - signposted down the A618.

DIEPPE INTERNATIONAL KITE FESTIVAL

We have received word that this festival is taking place from the 10th to 18th September. The first weekend has presentations from a number of countries (China, India, Thailand, Colombia, Hungary, Germany, Great Britain, Belgium, Italy). During the week a number of activities are taking place with schools.

The second weekend is the main event. As in the past the aim will be to fill the sky with kites. All of the participants of the previous weekend will be attending and showing their skills and kites. There will be competitions and prizes held over the weekend.

The organisers have said that they would be able to offer free accommodation in a local hostel (or on a campsite) for the nights of the 16th and 17th September and there will be a free meal available on the Saturday. Note that the accommodation is on a limited basis and first come first served.

The organisers have also offered some expenses and free return passenger tickets for the event. We are in the process of finding out the details and will let those people who are interested in going know.

If you wish to attend this years Dieppe festival you should write to us at the Kite Society stating the type of accommodation you require (eg free hostel/campsite or pay for yourself hotel) and how many people in your group. We need to know your requirements by the 30th April at the latest so don't delay.

Write to The Kite Society, 31 Grange Road, Ilford, Essex IG1 1EU.

EVENTS

KITE AERIAL PHOTOGRAPHERS WORLD CONFERENCE

We have received a full programme of events for the celebration of the Kite Aerial Photographers World Conference to be held on July 1, 2, and 3 in Labruguiere, Tarn, France. Basically the programme is a mixture of talks, demonstrations, and kite flying. There will also be several exhibitions including classic kites, kites and art and a selection of photographs by kites from KAPWA. Competitions are also being held for the longest kite, most innovative kite, the best art display etc. All kitefliers are welcome not just aerial photographers.

There are many hotels in the Labruguiere region and free accommodation in Labruguiere is available to KAPWA members. Should this quota not be filled, non members will, of course, be welcome to benefit from this offer. For more details we suggest that you write to Michel Dusariez, Avenue Capitaine Piret 14, 1150 Brussels, Belgium.

OXFORD KITE FESTIVAL

News of a kite festival in Oxford organised by our member Vic Walker. The festival is being held in conjunction with a "Fun in the Parks" day. It will be held on Sunday 31st July at South Parks, Headington Hill, Oxford. The flying site is large with few trees and many special activities are planned throughout the day, including parachuting teddy bears and large kites. Money is hoped to be raised to go towards the Radcliffe Infirmary Craniofacial Unit. Entry is free and Vic is looking for as many kite fliers as possible to attend to put on a good display. It is hoped to have a height clearance of 1000' and there are plenty of other activities to keep non kiteflying members of the family happy. For further details and location maps contact Vic at 42 Grovelands Road, Risinghurst, Headington, Oxford, OX3 8HZ or phone Oxford 0865 66183 or 0865 65344.

WESSEX KITE FESTIVAL

The Wessex Kite Festival, which has been run during the last few years by the Wessex Kite Group and more especially Bill Baulch of that group, has had a change of name and new organisers. It has been renamed the Netley Kite Festival (July 23rd and 24th), but will be run along similar lines with displays of manlifting, kite trains and stunt kites. Competitions will include best of festival, Indian kite fighting, largest and smallest kite, weight lifting, catch-a-tail, make a train and first to 500'. There is also an open barbeque on the Saturday night and night kite flying. A camping site is in the grounds of the park for anyone wishing to camp. Full details from The Royal Victoria Country Park, Netley, Southampton.

We feel sure that all the kitefliers who have attended the Wessex Kite Festival during the last few years would like to thank Bill Baulch for all the time and effort he put into the event. It was certainly always an enjoyable event, and we hope that the Netley Kite Festival will be a worthy successor.

BATH KITE FESTIVAL

The Bath Arts Association Kite Festival will take place on 5th June (1.30 - 5.30pm) at the 12 hole Approach Golf Course (just behind Victoria Park and the Royal Crescent). The Kite Festival has been growing steadily in popularity. In 1986 7,000 people attended and last year they topped the 10,000 mark. It is a free event and activities planned for the afternoon include kite flying competitions, grass skiing, juggling and tumbling performances. The kite competitions are divided between junior and adult and include the prettiest, funniest, most spectacular in the junior section, and most original, kite most like its owner, largest kite, most imaginative group effort and the most hopeless kite!. Stalls are also available to be booked. For more information contact Liz Lee at Bluecoat House, Sawclose, Bath, Avon BA1 1EX. Tel 0225 62577

WROUGHTON KITE FESTIVAL

Wroughton Science Museum Kite Flying days are on again this year. The dates are 6th and 7th of August and, as many of our members know from last year, this is probably one of the best flying sites in the country. Entry will be free to Kite Society members. Full details and a map will appear in next issue of The Kiteflier.

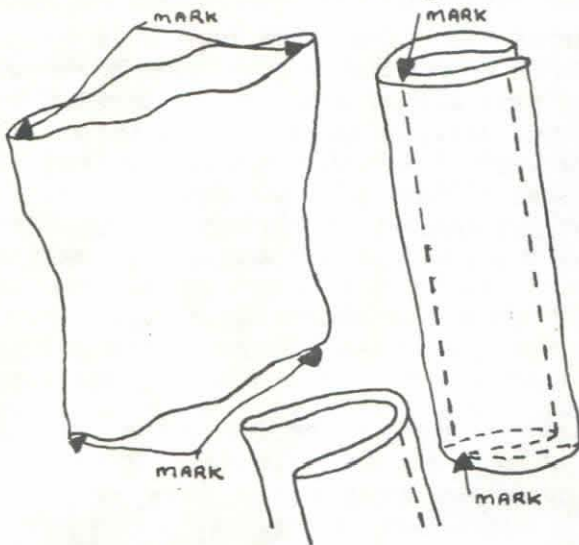
BIN BAG BOX KITE

This design was put together to answer those who ask "well how do you do that", following our suggestion "why don't you try making a kite".

Admittedly it's a bit high tech for some of the younger kids and dimmer dads but it is intended to be the first of several handouts on various simple kites.

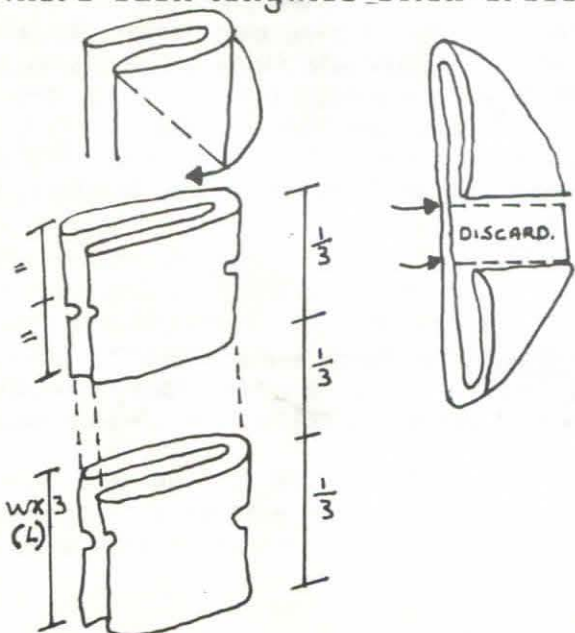
Take an ordinary bin bag, spread it out flat. Cut the bottom welded end off completely (which also removes any gussets). This leaves you with a plain tube, having two side creases. Run a spirit type (permanent) pen or chinagraph pencil or just mark with a pin, up both ends of these creases.

Fold the Tube in half along the length and crease the new fold. Then mark just inside both ends of the new fold. Reverse the fold and again mark both ends. Open out the tube and draw lines joining all the marks, these lines show where the four longwise sticks will go. With the bag still folded in four, fold one corner over until the end meets the side. Mark that point, also the line followed by the edge of the fold and repeat on the other end. Finally cut across and discard the middle bit. You should now have two tubes which are the top and bottom of your box kite.



Half way down each piece of kite cut a semi-circular hole (about 2 pence size). Measure the width of the half piece of kite and multiply by 3 to get "L" the length of the four longwise sticks. Cut the four 1/4" sticks to the length of "L". Fix the four cut lengths inside the two tubes of bin bag, by glueing or taping along the marks or lines described in the early part. Draw a square on scrap or wordy newspaper (no pictures) the same size as the box when it is stretched. Add at least 1" to this length, and this is "C", the length of the four cross sticks, which are again cut from 1/4" dowel, all equal length.

Where each longwise stick crosses a hole (eight times), tie a loop of thinish string about 1" long, plenty of spare. Cut a slot in the end of each of the cross sticks, 1/8" or 3/16" deep and wide enough to take the thinish string. Push a cross stick through one of the cut holes, across the kite, out at the other side, catching the loops in both ends of the cross stick. Push another stick through the other way, and with luck it will fit tightly. If not retie the loop knots until it is tight. Repeat for other end.

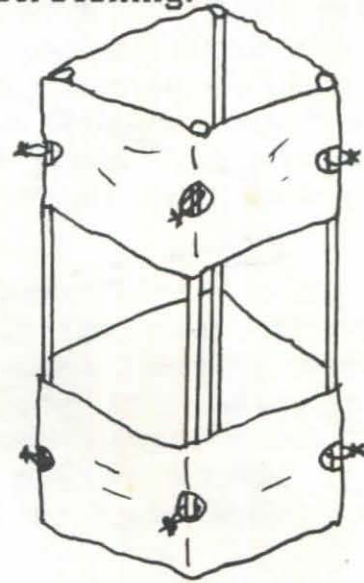
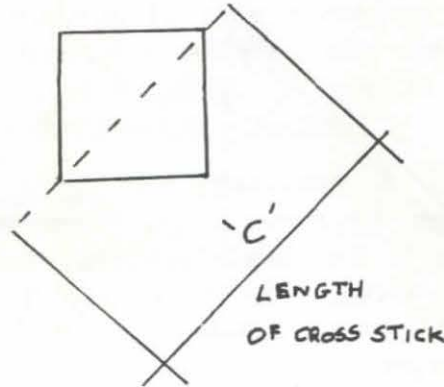


BIN BAG BOX KITE

This kite should fly on a single leg bridle, that is, tie a thicker string through the cover tightly around one stick about 1/3 down the height of the top box, and attach a ring to the end. The flying line is hooked or looped onto the ring. Tape all edges to minimise stretching.

David Bloom

SHROPSHIRE
KITE GROUP



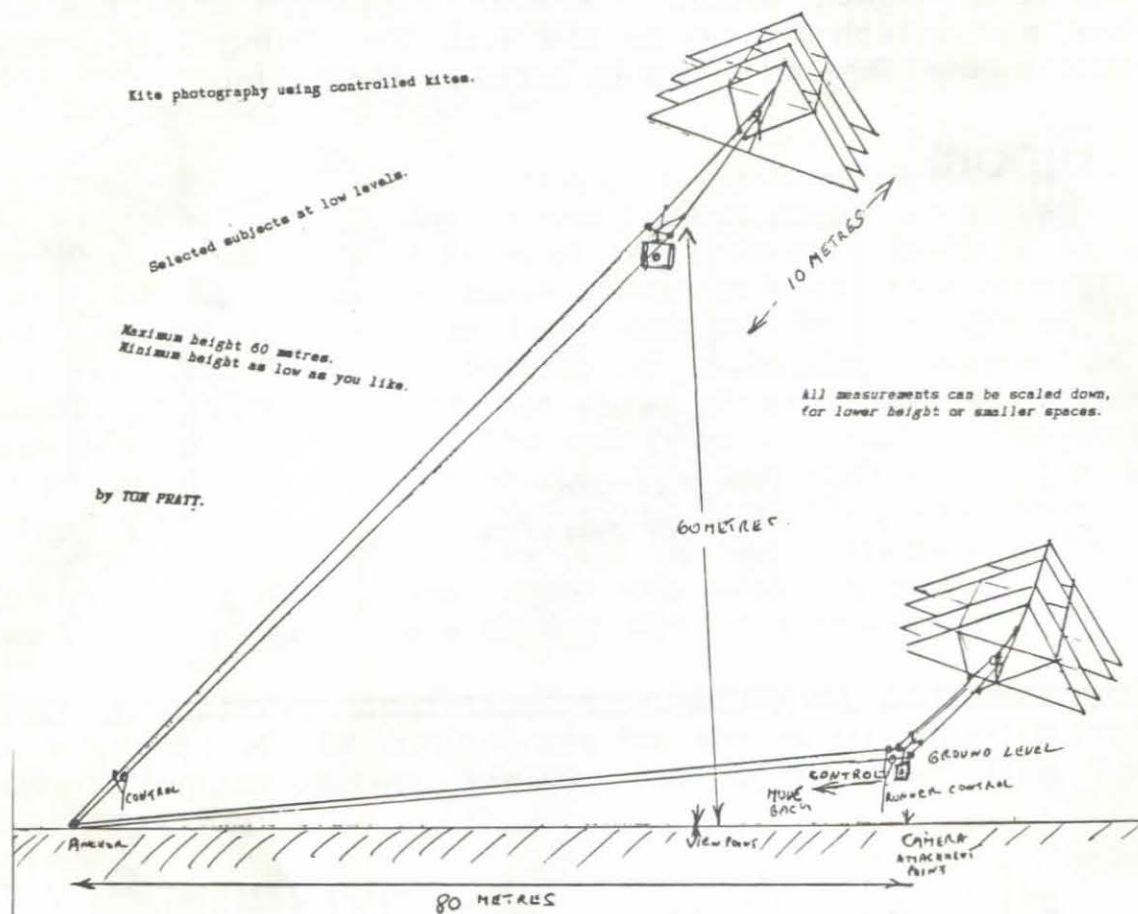
Low Level Kite Photography

Some time last year it occurred to me that for years I have been struggling with kites at low levels flying on single lines and relying on inherent stability to keep them reasonably steady, while all around me were stunting kites using two lines to keep them under perfect control while flying all over the sky. Why not reverse things and use two lines to stop my kites from misbehaving? So I have done just that. The new system described below depends on non-stunting kites using two lines to stop them wandering.

Low level kite photography in this article means that the kite is flown at a low level, not that the camera is low down while the supporting kite is flying at a considerable height. The reason for this is that a high flying kite requires much more space on the ground from which to fly. This means that many photographic subjects cannot be reached by high flying kites because of lack of space.

By using kites flying at low levels and controlled from the ground up, it is possible to lift cameras for pictures in much smaller spaces than is at present the custom. A lot of kites can be adapted to fly on two lines and it is from these that the kites for this system are chosen. Then instead of using a reel with a great length of line on it one or more double lines are carried. One may be 80 metres long so that the kite will rise at its highest to 60 metres, while the second will be 40metres long giving a maximum height of 30 metres.

LOW LEVEL KITE PHOTOGRAPHY



Because the object is to photograph specific subjects on the ground each picture has to be considered separately. The site must be inspected to be sure that it is suitable - that there is enough clear space, and that there are no overhead obstructions to cause accidents, and that the wind will have a reasonably clear approach.

The lines must be laid out carefully so that the camera is lifted to a point vertically above the viewpoint, chosen as the best place from which to take the photograph. The height to which it rises will be governed by the length of the lines.

The diagram shows how the system works, by using an arrangement of blocks and swivels the kite is very easily controlled. The diagram shows one arrangement of the camera carriage which permits the control lines to work without disturbing the camera carriage. There are also other equally simple ways of carrying the camera carriage which permits shots straight down the lines without showing them so obviously in the picture.

TOM PRATT

KITE CALENDAR FOR 1988

APRIL 24TH	Rother valley	Country Park, Wales, Sheffield. N.K.G.
APRIL 24TH	Harlow Common	Harlow Common, Potters Street, Harlow, Essex. E.K.G.
MAY 1ST	Old Warden Aerodrome	Nr. Biggleswade, Bedfordshire. B.K.F.A. *
MAY 1ST	Walsall Arboretum	Walsall, West Midlands. M.K.F.
MAY 1ST	Godsworthy	Porc Hill, Godsworthy, Nr Tavistock. D.K.F.
MAY 7TH & 8TH	Capstone Country Park	Medway, Kent. J.S.
MAY 8TH	St. Neots	Riverside Park, St Neots. Cambs. G.O.K.F.
MAY 21ST & 22ND	Brighton Festival	Waterhall Playing Fields, Patcham, Brighton. B.K.F. *
MAY 28TH	Rendezvous York	York. K.S. *
MAY 29TH & 30TH	York Festival of Kites	Knavesmire Race Course, York. J.R. *
JUNE 5TH	Walsall Arboretum	Walsall, West Midlands. M.K.F.
JUNE 5TH	Bath Festival	Approach Golf Course, Victoria Park, Bath.
JUNE 12TH	Priory Park	Bedford, Peterborough. G.O.K.F.
JUNE 17TH, 18TH & 19TH	Fokker Kite Festival	Scheveningen, Holland. *
JUNE 19TH	Godsworthy	Porc Hill, Godsworthy, Nr Tavistock. D.K.F.
JUNE 26TH	Summer Rally	Blackheath, London. B.K.A. *
JULY 1ST, 2ND & 3RD	Labruguiere	Tarn, France. *
JULY 3RD	Petworth Park	Kite Day, Petworth, West Sussex. J Mersey. *
JULY 3RD	Walsall Arboretum	Walsall, West Midlands. M.K.F.
JULY 2ND & 3RD	Shrewsbury	Shrewsbury, M.K.F. *
JULY 10TH	Grafham Water, South	Adjacent Plummer car park, Cambs. G.O.K.F.
JULY 23RD & 24TH	Wessex Kite Festival	R.V.C.P., Netley, Southampton. W.K.G. *
JULY 30TH & 31ST	Festival of the Air	Washington, Tyne & Wear. A Sutherland. *
JULY 31ST	Oxford Kite Festival	South Parks, Headington, Oxford. *
JULY 31ST	Godsworthy	Porc Hill, Godsworthy, Nr Tavistock. D.K.F.
AUGUST 6TH & 7TH	Wroughton Kite Festival	Wroughton, Swindon, Wilts. B.K.F.A. *
AUGUST 7TH	Walsall Arboretum	Walsall, West Midlands. M.K.F.
AUGUST 14TH	St Neots	Riverside Park, St Neots. Cambs. G.O.K.F.
AUGUST 21ST	Wells Kite Festival	Wells-next-the-sea, Norfolk.
AUGUST 28TH	Godsworthy	Porc Hill, Godsworthy, Nr Tavistock. D.K.F.
AUGUST 28TH	Bournemouth Festival	Hengistbury Head, Christchurch, Dorset. W.K.G. *
SEPTEMBER 3RD & 4TH	Bristol	Ashton Court, Bristol. M.L. *
SEPTEMBER 4TH	Walsall Arboretum	Walsall, West Midlands. M.K.F.
SEPTEMBER 11TH	Ferry Meadows	Peterborough, Cambs. G.O.K.F.
SEPTEMBER 17TH & 18TH	Dieppe Kite Festival	Dieppe, France. *
SEPTEMBER 18TH	Godsworthy	Porc Hill, Godsworthy, Nr Tavistock. D.K.F.
OCTOBER 2ND	Old Warden Aerodrome	Nr. Biggleswade, Bedfordshire. B.K.F.A. *
OCTOBER 2ND	Walsall Arboretum	Walsall, West Midlands. M.K.F.
OCTOBER 9TH	One Sky - One World	Everywhere. Co-ordinated by The Kite Society.
NOVEMBER 6TH	Walsall Arboretum	Walsall, West Midlands. M.K.F.
DECEMBER 11TH	Grafham Water	Adjacent Plummer car park, Cambs. G.O.K.F.

EVENTS MARKED * ARE MAJOR KITE FESTIVALS ALL OTHERS ARE LOCAL FLY-INS. BEFORE TRAVELLING ANY DISTANCE CONTACT THE ADDRESS BELOW.

E.K.G.	34 MORTIMER ROAD, RAYLEIGH, ESSEX
G.O.K.F.	10 LAXTON CLOSE, ST. NEOTS, CAMBS. PE19 3AR
B.K.A.	78 DONGOLA ROAD, LONDON N17 1EE
D.K.F.	"JU LES GLA", EAST WAYTOWN, GOODLEIGH ROAD, SNAPPER, BARNSTAPLE, NORTH DEVON
B.K.F.A.	WOLSEY HOUSE, WOLSEY ROAD, HEMEL HEMPSTEAD, HERTS.
M.K.F.	29 BRADBURY ROAD, SOLIHULL, WEST MIDLANDS B92 8AE
K.S.	31 GRANGE ROAD, ILFORD, ESSEX, IG1 1EU
J.R.	JIM ROWLANDS, 50 OLD BRUMBY STREET, SCUNTHORPE, DN16 2AE
W.K.G.	16 BRACKLEY WAY, HAMMONDS GREEN, TOTTEN, HANTS. SO4 3HN
M.L.	MARTIN LESTER, 40 CITY ROAD, BRISTOL BS2 8TX
B.K.F.	53 NEW ROAD, SHOREHAM BY SEA, SUSSEX.



MFEXTRA

MIDLANDS KITE FLIERS NEWS

29 BRADBURY ROAD, SOLIHULL, WEST MIDLANDS, B92 8AE.



KITE WORKSHOP AT HOLYHEAD SCHOOL, HANDSWORTH.

About 10 Midlands Kite Fliers members attended the Kite Workshop at Holyhead School, Handsworth, on Sunday 7th February, 1988.

After some discussion, it was decided that a kite train project would be a good idea, but that some preliminary testing would have to be done first. Without further ado, carrier bags were cut up, bamboo was bent over a candle flame, and adhesive tape was liberally applied to create a small diamond-shaped kite. The plans for this kite came from Ohashi's book "Kite Trains Making".

Flame bending proved to be rather unreliable, and required considerable patience and skill to retain the strength at the bend point. Many thanks to Tony and Barbara Cartwright-Blackheath Kite Association- who paid a flying visit to bestow some of their invaluable experience on our flame-bending endeavours.

Another design was suggested which used a straight spreader and longeron. The stability is given by a gusset in the lower half of the kite which acts like a keel. This was speedily constructed, whereupon the entire assembly decamped to a very turbulent car park and went "Coo, it flies!" and "Isn't it cold, let's go back inside!"

The rest of the day was spent constructing vast quantities of these small kites from red, white and yellow carrier bags. (We could have had blue, but the minimum order is ONE TON !!!!) 2mm bamboo and waterproof adhesive tape were also used. Unfortunately, the time factor was somewhat underestimated, so nobody managed to sting together a complete train. Materials were taken home with the intention of completing the project for the March fly-in.

Two new members decided to try their hand at building small Rökkakus from blue bin liners. These were executed with great care and enthusiasm, and reports have since come in that test flights have proven very satisfactory!

Many thanks to Bill Souten for the workshop and organisation, to Andrew Vermes for the materials, and to all the members who came along to make this a very enjoyable event.

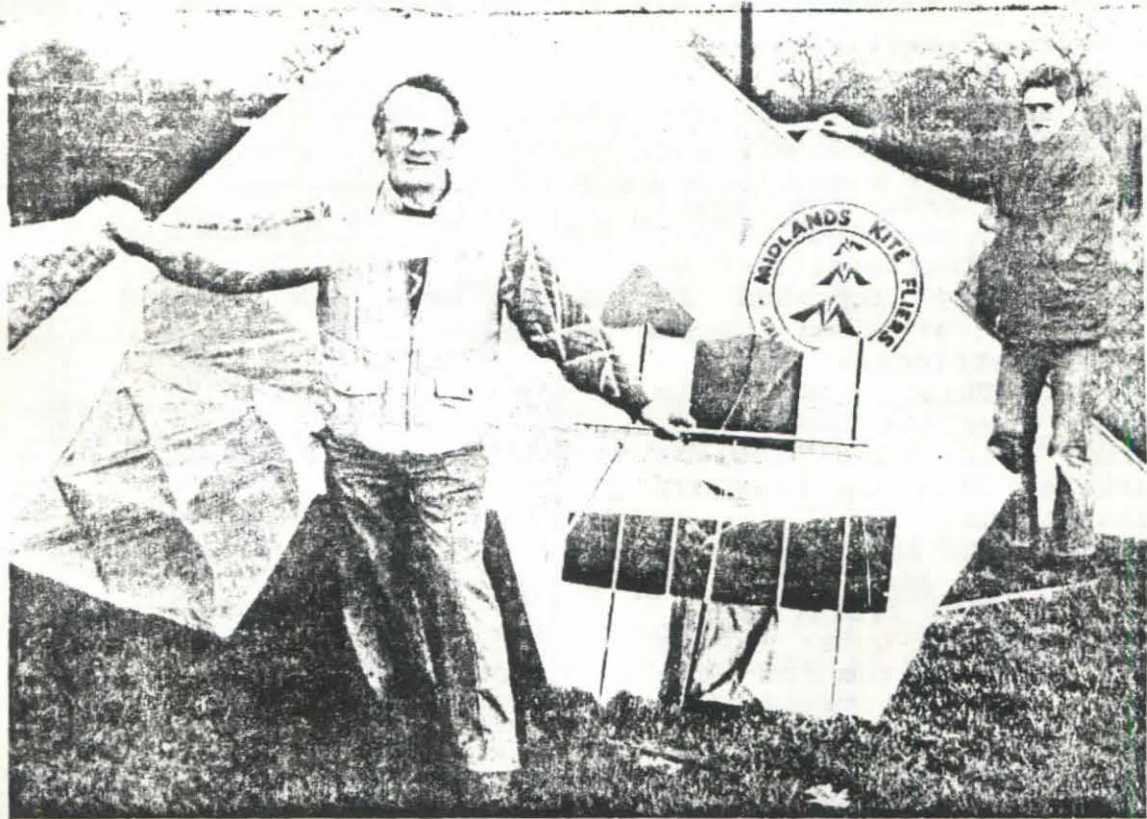
If anybody has any good ideas for future workshops, perhaps they could get in touch. Meanwhile, watch the Midlands skies for red, white and yellow trains - you know where they came from!



MKEXTRA

MIDLANDS KITE FLIERS NEWS

29 BRADBURY ROAD, SOLIHULL, WEST MIDLANDS, B92 8AE.



THE ADVERTISER & INDICATOR, JANUARY 14, 1988

Flyaway with youthful Fred

AFTER a year flying kites, Alcester's Fred Taplin is so besotted with the sport he wants to start up a club in the town.

At 54 he does not consider himself too old nor does he believe kites are merely toys.

He described his new found love with boyish enthusiasm. He said: "You're never too old to take up kite flying."

"The range of people flying kites is amazing. From toddlers to disabled folks, people are enjoying the sport."

About 12 months ago while on holiday, I had a whim to fly a kite. No luck in trying to buy one, but I spotted a small ad. in a shop window "Visit The Highfliers", so to Polzeath and The Highfliers my wife and I went.

Half an hour later with good tuition and a stunter well and truly flying, I was struck down with "Kitters Disease"! Then came Wroughton '87 and oh dear! my wife came down with the same disease.

So, more kites for the collection, and an introduction to the M.K.F. Then came the publicity shot, not in the arm, but in the Alcester Chronicle.

From this, hopefully, a new club, a new flying ground, and new members.....more news as it becomes available.

He is a member of the Midlands Kite Fliers Club and regularly attends large meetings where people of all ages fly kites of different colours, shapes and sizes.

He said: "It's not just for kids and eccentrics. It's great when you get three or four hundred people together all flying kites ranging from £3 small kites to kites costing £500 that are big enough to lift a car.

"On the big kites you can take a teddy bear into the sky and it comes down by parachute."

Fred, of Henley Street, a caretaker with Fagersta Steels wants to get together with other fliers in Alcester to form a club and find an open space where they could meet and fly their kites.

Anyone interested should contact Fred on Alcester 762350.

● Fred Taplin is pictured with helper Adrian Armstrong.



MFEXTRA

MIDLANDS KITE FLIERS NEWS

29 BRADBURY ROAD, SOLIHULL, WEST MIDLANDS, B92 8AE.



* DON'S DOUBLE SLED *
* KITE TRAIN *

DOUBLE SLED KITE TRAIN

Over the past few years I've tried flying sleds in all sorts of combinations: side by side, directly attached to each other, attached by 1 string / 2 strings / 4 strings and so on. This latest train seems to have overcome most, if not all, the problems encountered with the previous configurations.

The modifications are :

- a) Central keel which is deeper than side keels, and
- b) Tapering outer keels towards the bottom of the kite.

I had used both on double sleds at different times, and each had improved the kite's resistance to collapse, and its ability to reinflate itself if it did collapse. This time the two were used together to see what the net effect would be. The results were very encouraging.

Using the one metre size, I decided to try them out in the most turbulent conditions I could find. This turned out to be at the foot of Milford Hills (Cannock Chase) with trees on two sides and the wind varying between light and fresh with strong gusts. As the surroundings caused the wind to hit the kites suddenly from different directions, one or two kites would collapse but they reopened as soon as the side wind had gone.

After flying this train in these conditions for just over an hour, the top kite ripped away from its bridle. Having wrestled with the pull of these things for what seemed an age, I wasn't sorry to have an excuse to wind them in.

This train flew so well in such demanding conditions, I feel I can recommend them to anyone.

Don Eccleston
Chairman, Midlands Kite Fliers

March 1988

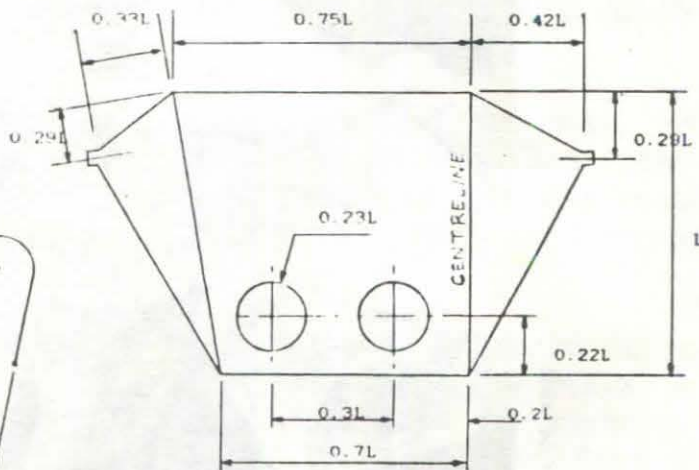


Fig. 1

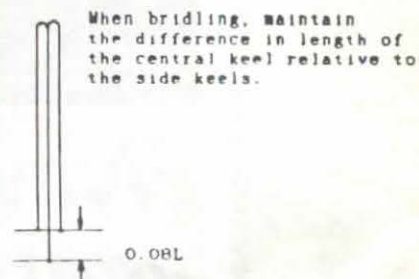


Fig. 2

When bridling, maintain the difference in length of the central keel relative to the side keels.

Fig. 3

For a size of L = 30cm, the side bridles can be of button thread, and can be sewn on to the main line.



MKEXTRA

MIDLANDS KITE FLIERS NEWS

29 BRADBURY ROAD, SOLIHULL, WEST MIDLANDS, B92 8AE.



Does anybody know anything about kites or kite making? We have had a query from a teacher in North Birmingham whose interest in kites is just awakening. She has asked if an M.K.F. member would care to go to her school to talk about kites and perhaps make a few with her junior pupils. Expenses may be available. If anybody is interested, please let me know : you may have found a new vocation!

FORTHCOMING EVENTS :

NUNEATON CARNIVAL GALA : Saturday 11th June 1988 12noon to 6pm at the Pingles Fields, Nuneaton. The organisers have requested the M.K.F. to provide a display of kite flying : if anyone is interested, please contact me **A.S.A.P.**

NOTTINGHAMSHIRE COUNTY SHOW : Friday and Saturday, 6th/7th May 1988 at The Showground, Winthorpe, Newark, Nottinghamshire. A limited number of M.K.F. members will be eligible for free tickets and expenses, etc. in return for a first class kite flying display. Of course, everyone is invited to attend and enjoy what people normally enjoy whilst being entertained at the Newark and Nottinghamshire Agricultural Society's County Show.

If any kite manufacturer or retailer is interested in a trade stand at the show, I understand that this may be arranged.

STAFFORD KITE FESTIVAL : 12th June 1988 at Stafford Common.

In previous years, this has proved an ideal opportunity for the Northern Kite Group to join with the Midlands Kite Fliers in celebrating their enthusiasm for all things aerodynamic. It is our sincere hope that this will be the case again this year.

We would also like to extend an invitation to all other like-minded clubs and individuals throughout the United Kingdom.

We also wish that Don Eccleston (organiser of the Stafford Kite Festival and now M.K.F. chairman) will either manage to get the weather right this year, or will provide waders for all attending kitefliers.

Please contact me if you would like to pursue any of the above events further.

Derek Kuhn
Secretary, Midlands Kite Fliers.

April, 1988

KITE SOCIETY GOODIES

AVAILABLE NOW!

1. Sew on cloth badges. Embossed design in Black and White. Shown opposite in life size. Cost £1.75.

2. Kite Society Button Badges. 2" diameter in various colours with the Kite Society Logo. Cost 30p. (Sorry no choice of colours).

3. Rokkaku Challenge Badges. 2" diameter in various colours with the UK Rokkaku Challenge Logo. Cost 30p.

4. Kite Society Sweatshirts. High Quality, 50% Polyester 50% Cotton mix, crew neck, fleece lined. Available in either White or Grey Marl with a black logo on the left breast. Price £10.00. Sweatshirts are available in the following sizes:-

36" (S), 38" (M), 40/42" (L), 44" (XL), 46" (XXL). Please note that delivery is at least 28 days for sweatshirts.

5. Kites For Everyone by Margaret Greger. This combines her earlier kite making books with much new material and includes designs for more than 40 kites ranging from sleds to facets. Also includes designs for windsocks, parachutes and kite bags. An excellent book for the home kite maker or teacher. Price £5.50. (This book is normally in stock but due to demand may have to be ordered from America - this could mean up to three months before delivery).

6. How to Make a Deep Sky Reel with Accessories by John Wilding. Very comprehensive instructions for making a deep sky reel. Price £4.95.

7. Making and Flying Modern Kites by Jim Rowlands. Details for making 30 different designs are included. Price £9.95. Because of the weight of this book we require an additional 50p for postage in addition to the 10% below.



ITEM	SIZE	QUANTITY	PRICE	TOTAL
KITE SOCIETY CLOTH BADGE				
KITE SOCIETY BUTTON BADGE				
ROKKAKU BUTTON BADGE				
KITE SOCIETY SWEATSHIRT				
KITES FOR EVERYONE				
MODERN KITES				
DEEP SKY REEL				
			SUB TOTAL	
			POST AND PACKING	
			TOTAL	

MAKE ALL CHEQUES PAYABLE TO THE KITE SOCIETY.

NAME: _____
ADDRESS: _____

Post and packing is 10% of the subtotal for the U.K. and 20% for foreign orders.