




ACU
AUTO CYCLE UNION
BIKESPORT GB

HANDBOOK 2012



ARENA TRIALS
BEACH CROSS
BEACH RACING
BIKE TRIALS
BYMX
CYCLE TRIALS
DRAG
ENDURO
GRASS TRACK
HARE & HOUNDS
HILL CLIMB
MOTOCROSS
POCKET BIKES
QUAD
ROAD RACING
SPEEDWAY
SPRINT
SUPERCROSS
SUPERMOTO
TRIALS



£8.00

Trials & Enduro motorcycle insurance

- Approved Third Party cover for on road competitive use in recognised events
- 12 months cover for general road use
- includes green lanes and trailriding
- includes free European cover
- Option to include Fire & Theft cover*



*Theft cover subject to acceptable security when motorcycle not in use

Regulatory Trials motorcycle insurance

- Approved comprehensive cover for pre-1987 registered motorcycles
- Full cover for on road competitive use in recognised & correctly permitted events
- 12 months cover for general road use
- includes green lanes and trailriding
- includes free European cover



*Theft cover subject to acceptable security when motorcycle not in use

TRACK OPERATORS INSURANCE

- Motorcycle & quad bike track operators insurance cover
- including Public Liability for practice & competition use
- Material damage cover available



Tel: 01279 870535 Fax: 01279 870636

Email: msm@msminsurance.co.uk

or visit: www.msminsurance.co.uk



2012 HANDBOOK

January 2012

All enquiries should be addressed to:

The Auto-Cycle Union Ltd., ACU House, Wood Street, Rugby, Warwickshire CV21 2YX.

Telephone: 01788 566400; Fax: 01788 573585

www.acu.org.uk admin@acu.org.uk

The contents of this Handbook are Copyright and must not be reproduced without written consent from the Auto-Cycle Union Ltd. The various regulations contained herein become effective as at 1st January 2012. This publication supersedes previous editions.

The ACU is the internationally recognized National Governing Body for motorcycle sport in the British Isles (less Northern Ireland). Formed in 1903, the ACU has a long tradition in the world of motorcycle sport being a founder member of the World Governing Body, the Federation Internationale Motocyclisme (FIM). The ACU has a major role in furthering the interests of motorcycle sport on a global basis. Domestically, the ACU provides for all forms of motorcycle sport ranging from Road Racing to all disciplines of Off Road activity and has successfully organized world class events such as Moto GP, World Superbikes, the Isle of Man TT Races and the Motocross of Nations.

The ACU aims to ensure that all people irrespective of their age, gender, disability, race, ethnic origin, creed, colour, social status or sexual orientation, have a genuine and equal opportunity to participate in motorcycle sport at levels in all roles. The ACU fully supports youth activity in all disciplines and through the ACU Academy, some of our young riders go on to become British, European and World Champions in their chosen sport.

Published by: The Auto-Cycle Union Ltd.

Designed by: The Ark Design & Print.

Printed by: William Clowes.

The products advertised within this Handbook are not necessarily endorsed by the ACU.

ACU AND THE AUTO-CYCLE UNION ARE TRADING NAMES OF THE AUTO-CYCLE UNION LIMITED REGISTERED UNDER COMPANY NO. 00134679; REGISTERED OFFICE: ACU HOUSE, WOOD STREET, RUGBY, WARWICKSHIRE CV21 2YX



Patron

HRH THE PRINCE PHILIP, Duke of Edinburgh KG KT OM GBE AC QSO

President Emeritus

The Rt Hon THE LORD JOPLING DL

President

The Right Reverend John Oliver

Vice President

C. MORAM (2012)
Mrs M. MELLISH (2012)

Chairman

B. HIGGINS

Deputy Chairman

J. COLLINS

Auditors TARGET CONSULTING LIMITED

General Secretary G. THOMPSON MBE BEM

Honorary Members of the ACU

C. ARMES	M. FRANCIS
D. D. BANKS	N. E. GOSS MBE
Lt Col (Retd) E. P. BARTLETT	K. LYWOOD
E. BELLARS	D. RYDER
A. BROWNLIE	D. SLAUGHTER
J. BUSSELL	R. W. SMITH
D. R. CLAMPIN	W. A. SMITH
R. COLLINS	K. SPRAYSON
J. COLES	J. STONE

THE ACU MISSION

- To pursue the interests of motorcycling while protecting and promoting the needs of members.
- To facilitate British Motorcycle Sport in the most accommodating, de-regulated and user led manner possible.
- To make British Motorcycle Sport happen.

Disclaimer

The Auto-Cycle Union Ltd., its Directors and Officers accept no liability in respect of loss or damage occasioned directly or indirectly as a result of the publication of the ACU Handbook or Web Site. It is a matter for each individual to satisfy themselves as to the suitability of any Course, Facility or Product (including Machinery and Clothing) offered by Clubs, Venues, Landowners, Advertisers or Manufacturers and for such individuals to ensure that adequate insurance and medical arrangements have been made to protect their interest with regard to any activity undertaken.

contents

section one THE ACU

ACU approved protective helmets and visors	90
ACU Benevolent Fund	93
ACU Environmental Code	103
Anti-theft initiative	14
Associate membership	92
Auto-Cycle Union Limited structure	12
Centres/Regions	21
Committee & Panels	8
Competition licence/trial registration	92
Equal opportunities/sports equity policy statement	108
Fuel regulations – National ACU	88
Insurance	109
Land Use Advisory Service	100
LARA	98
LASU	96
Medical services	118
Non-territorial clubs	15
One event licences	92
Price List	95
Recognised associations	19
Recognised promoters	18
Safety precautions	120
Serious accident checklist	117
Sound level control	85
Technical officials	67
The Motor Vehicles (Off Road Events) Regulations 1995	101
Timekeepers & timing equipment	63
Training Department	97
Useful addresses	19
Who should I contact at the ACU?	13

section two **STANDING REGULATIONS**

Drag Race	328
Enduro	159
Grass Track	234
Hare and Hounds/Cross Country	177
Hillclimb	360
Motocross	125
Pocket Bike	392
Road Racing	258
Scooter	399
Sprint	375
Supermoto	311
Trials	194

section three

ACU Historical information	442
----------------------------	-----

section four

National Sporting Code of the ACU	449
-----------------------------------	-----

section five

Rules of the Union	499
--------------------	-----

section six

ACU Directory 2012	517
--------------------	-----

Please support our advertisers, they support you!

Note *No discrimination is intended where references are made to 'he', rather than 'she', throughout this Handbook.*

COPYRIGHT

(To be printed in all official programmes)

All literary matters in the official programme including the list of competitors and their racing numbers is copyright and any person making illegal use thereof will be prosecuted. It is also a condition of admission to any event held under an ACU Permit that no part of the meeting can be filmed or video recorded and/or video transmitted in any way without the written consent of the promoters/organisers and/or the ACU except for the sole purpose of private enjoyment.

section one

THE ACU

NATIONAL COUNCIL

CHAIRMAN – B. Higgins (2013) Sunnycote, Marytavy, Tavistock, Devon PL19 9QB. Tel: 01822 614355 (Office hours) brian@rentafford.fsnet.co.uk

Cheshire & North Wales Centre I. Dommett, 15 Buckingham Road, Cheadle Hume, Cheshire SK8 5EG. Tel: 0161 282 0132 iandommett@hotmail.com

Cornwall Centre Mrs R. Fraser, Marlow Cottage, Stithians, Truro, Cornwall TR3 7DD. Tel: 01209 860083/07747 852772 rhiannonfraser@msn.com

Eastern Centre Mr R G Hearn (Jack), 25 Qinton Road, Needham Market, Suffolk IP6 8BP. Tel/Fax: 01449 721042 jack.vera7@btinternet.com

East Midland Centre M. Jessup, 54 Monks Road, Binley Woods, Coventry CV3 2BS. Tel: 02476 544463 nascar@ntlworld.com

East South Wales Centre Mrs S. Payne, Colbost, Newport Road, Caldicot, Magor NP6 3BZ. Tel: 01633 880442 gwentschoolboystrialsclub@btinternet.com

East Yorks Centre Mrs A. Watson, Dunriding, High Street, Castleton, Whitby YO21 2DB Tel: 01287 660577 aec@watson577.fsnet.co.uk

Isle of Man Centre P. Franklin, 4 Costain Close, Colby, Isle of Man. Tel: 07624 232770 paul@franklins.co.im

Midland Centre M. Wear, 57 Roseway, Harlescott, Shrewsbury, Shropshire SY1 4HW. Tel: 01743 464183/07788 412062 matthewwear_666@hotmail.com

Mid Wales Centre Miss A. Bates, "Little Gigrin", Rhayader, Powys LD6 5NU. Tel: 01597 810435/07903 829447 anne.trials@btinternet.com

Northern Centre R. Wilson MRICS 180 Burnside Road, Kendal, Cumbria LA9 6EB. Tel/Fax 01539 728565 hildawilson@btinternet.com

North Eastern Centre I Reavely, 35 Columbia Terrace, Blythe, Northumberland, NE24 3JZ ianreavley007@btinternet.com

North Western Centre R. Livesey 1 Franklands Drive, Ribbleson, Preston, Lancs PR2 6RX. Tel: 01772 791924 hondabobs@btinternet.com

South Eastern Centre C. Boniface 44 Southampton Street, Farnborough, Hampshire GU14 6BG. Tel: 07812 924510 colin_boniface@sky.com

Southern Centre B. New, 6 Coleridge Gardens, Cowplan, Waterlooille, Hants PO8 8LS. Tel: 02392 645114

South Midland Centre D. Porter, 96 Pembroke Avenue, Luton, Beds LU4 9BJ. Tel: 07710 435127/01582 847399 david.porter31@btopenworld.com

South Western Centre B. Edwards Courtfield, Ashill, Cullompton, Devon EX15 3NH. Tel: 01884 840078 greta.rbm@tiscali.co.uk

Wessex Centre F. Sweeting, 185 Great Ashley, Bradford on Avon, Wiltshire BA15 2PP. Tel: 01225 862506 frank@sweet-sites.co.uk

Western Centre A F G Noel, 9 Finch Croft Lane, Prestbury, Cheltenham, Glos GL52 5BD Tel/Fax: 01242 244553 noel@noverton.freereserve.co.uk

West South Wales Centre G Heywood, 81 Alexander Road, Gorseinon, Swansea SA4 4NU. Tel: 01792 893457 graham.heywood@talk21.com

Yorkshire Centre D. Loney, 28 Bramley Lane, Lightcliffe, Halifax, West Yorkshire HX3 8SR. Tel: 01422 206828 daveloney2002@yahoo.co.uk

SACU A. Sheddon, 28 West Main Street, Uphall, West Lothian EH52 5DW. Tel: 01506 858354 Fax: 01506 855792 office@sacu.co.uk

Non-Territorial Board J. Blower, "Windyways", 195 Star & Garter Road, Stoke on Trent ST3 7HJ. Tel: 01782 311201/07989 353961 johnblower@hotmail.co.uk

Non-Territorial Board P. Tomlin 25 Rusper Road, Dagenham, Essex RM9 4NT. Tel: 0208 5931237 sunflower@neweramcc.org

Year in brackets indicates expiry of term of office at 31st December.

ACU LTD DIRECTORS

CHAIRMAN – B. Higgins (2013) Sunnycote, Marytavy, Tavistock, Devon PL19 9QB. Tel: 01822 614355 brian@rentafford.fsnet.co.uk

- DEPUTY CHAIRMAN J. Collins** (2012)
52 Margam Road, Margam, Port
Talbot, West Glamorgan SA13 2BW.
Tel: 01639 882241 Fax: 01639 773470
johncollinsemail@yahoo.co.uk
- P. Beardmore** (2013) 8 Ash Tree Hill, Cheadle,
Staffs ST10 1UQ. Tel: 01538 750057
beardmorepeter@hotmail.com
- P. Gregory** (2013) 9 The Green, Saltburn,
Cleveland TS12 1NF. Tel: 01287 625607
pggregory@ntlworld.com
- R. Hanks** (2014) 50 Lyndhurst Road, Erdington,
Birmingham B24 8QS. Tel: Day 0121 373
1035 Eve: 0121 686 3799 Fax: 0121 686 8700
royacu@btconnect.com
- E. Jones** (2012) 18 Chapel Street,
Astwood Bank, Redditch B96 6DA.
Tel: 01527 893392/07947 319432
eddiejones4@googlemail.com
- Dr P D King** (2013) 3 Branston Avenue,
Barrow Upon Soar, Loughborough,
Leicestershire LE12 8XL, Tel: 01509 416369
p.d.king@lboro.ac.uk
- I. Murphy** (2014) Thie Roarbrae, 11 Sileau Curn
Park, Kirk Michael, Isle of Man IM6 1EH.
Tel: 01624 878394 murf@manx.net
- B. Puckett** (2013) 32 Heol Derwen, Cimla,
Neath SA11 3YS Tel: 01639 767851
bryan.puckett@btinternet.com
- D. Smith** (2012) 4 Church End, Panfield,
Braintree, Essex CM7 5AJ. Tel: 01376
328907 david.smith853@tesco.net
Company Secretary: Gary Thompson MBE BEM
Tel: 01788 566414 gary@acu.org.uk

PANEL OF ADJUDICATORS

- A. F. E. Bellars** (2012) 12 Rosehill Park, Emmer
Green, Reading, Berks RG4 8XE.
- J. Coles** (2012) 88 Wheatley Road, Garsington,
Oxford OX44 9DR. Tel: 01865 361735
- M. Deeks** (2012) 50 Colchester Road, Great
Totham, Maldon, Essex CM9 8DG.
Tel: 01621 890962/07966 464835
- A. Foskew** (2012) 9 Ebenezer Close, Witham,
Essex CM8 2HX. Tel: 01376 517169
- R. J. Langdale** (2012) 1 Union Street, Louth,
Lincs LN11 0ES.
- D. L. Ryder** (2012) The Bungalow, Hagley Road,
Rugeley, Staffs WS15 2AW. Tel: 01889
582563

- R. Smith** (2012) 18 Alma Street, Melbourne,
Derby DE73 1GA. Tel: 01332 864581
- R. W. Smith** (2012) 59 Green Avenue,
Chellaston, Derby DE73 6TE.
- J. Stone** (2012) 1 Green Close, Truro, Cornwall
TR1 2DD. Tel: 01872 277385
- M. Wheaton** (2012) 2 Crouch View, Rettendon
Common, Chelmsford, Essex CM3 8DS.
Tel: 01268 123105
- H. Woodrow** (2012) St. Anthony's, Main Road,
Marlpit Hill, Edenbridge, Kent TN8 6JA.

**ROAD RACE, DRAG AND SPRINT
COMMITTEE**

- CHAIRMAN – Dr. P. D. King** (2013) (NTB)
3 Branston Avenue, Barrow Upon Soar,
Loughborough, Leicester LE12 8XL.
Tel: 01509 416369 p.d.king@lboro.ac.uk
- DEPUTY CHAIRMAN – S. Higgs** MotorSport
Vision Centre, Brands Hatch Circuit,
Fawkham, Longfield, Kent DA3 8NG.
Tel: 01474 872331
- D. Carter** (appointed by AMRCO) Thruxton
Circuit, Andover, Hampshire SP11 8PN.
Tel: 01264 772607 Fax: 01264 773794
- J. Hinchliff** (2014) 14 Sherwood Rise, Mansfield
Woodhouse, Mansfield, Notts NG19 7NP.
Tel: 01623 636880
- M Jessup** (2013) 54 Monks Road, Binley
Woods, Coventry, CV3 2BS, Tel: 02476
544463 mark.jessup@btinternet.com
- E. Nelson** (2012) "Anvil House", Derby Road,
Old Tupton, Chesterfield, Derbyshire S42
6LA. Tel: 01246 866537
- Dr. J. Palmer** Motorsport Vision Ltd, Brands
Hatch, Fawkham, Longfield, Kent DA3
8NG. Tel: 01474 875202
- J Parker** (2013) (NTB) 172 Tower Road, Ware,
Herts SG12 7LL Tel: Day 01920 444205
Eve 01992 551564 Fax 01920 468686
jim@neweramcc.org
*Committee Secretary: Rowena Perks Tel: 01788
566406 rowena@acu.org.uk*

TRACK RACING COMMITTEE

- CHAIRMAN – P. Gregory** (2013) 9 The Green,
Saltburn, Cleveland TS12 1NF. Tel: 01287
625607 pggregory@ntlworld.com

- Mrs A. Boyle** (2014) 126 Uttoxeter Road, Hill Ridware, Rugeley, Staffs WS15 3QX. Tel: 01543 267059
annie126@btopenworld.com
- R. Smith** (2012) 18 Alma Street, Melbourne, Derby DE73 1GA. Tel: 07877 751278/07773 890587 rob@smith8615.freereserve.co.uk
- D. Staff** (2012) 32 Jutland Crescent, Hunters Meadow, Andover, Hampshire SP10 4NB. Tel: 01264 358345
dickie_staff@stannah.co.uk
- R. Sullivan** (2013) 69 Caulfield Road, Swindon, Wiltshire SN2 8BT. Tel: 01793 531831
- C. Tyrrell** (2014) Kangal Farm, Criggan, Bugle, St. Austell, Cornwall PL26 8QX. Tel: 07970 281545 christ6996@hotmail.com
- Committee Secretary: Tracey Cossar Tel: 01788 566402 tracey.cossar@acu.org.uk*

MOTOCROSS COMMITTEE

- CHAIRMAN – B. Higgins** (2013) Sunnycote, Marytavy, Tavistock, Devon PL19 9QB. Tel: 01822 614355 (Office Hours)
brian@rentafford.fsnet.co.uk
- D. Edwards** (2012) 9 Stevedale Road, Welling, Kent DA16 1ND Tel: 07850 117344
davidpedwards@tiscali.co.uk
- E. Herd** (2012) 10 Malthouse Lane, Burgess Hill, West Sussex RH15 9XA. Tel: 01444 242272
- R. Humphrey** (2012) 11 Shepherds Avenue, Earley, Nr. Reading, Berks RG6 1AY.
Tel: 07850 598886 royh.acu@btinternet.com
- J. Percival** (2014) 7 Callow Crescent, Minsterley, Shrewsbury SY5 0BY.
Tel: 07852 270560 percivalj@hotmail.com
- C. Reeves** (2012) 80 Pen-Y-Maes Gardens, Holywell, Flintshire CH8 8BU Tel: 07894 550267 chris.motox125@hotmail.co.uk
- A. Summers** (2013) 101 Friar Park Road, Wednesbury, West Midlands WS10 0JR.
Tel: 0121 530 9400 Mobile: 07842 692008
aws.30@hotmail.co.uk
- C. Warren** (2014) 8 Staggs Horn Road, Horndean, Waterlooville, Hampshire PO8 9NS. Tel/Fax: 01730 894241
wgconsultants@hotmail.co.uk
- Committee Secretary: Sonia Goggin Tel: 01788 566404 sonia@acu.org.uk*

TRIALS AND ENDURO COMMITTEE

- CHAIRMAN – J. Collins** (2012) 52 Margam Road, Margam, Port Talbot, West Glamorgan SA13 2BW. Tel: 01639 882241
johncollinsemail@yahoo.co.uk
- M. Bates** (2013) Nant-yr-Wyn, Llanbister Road, Llandridod Wells, Powys LD1 5UP.
Tel: 01547 550393
- T. Fairbrother** (2014) 14 Spring Grove Road, Kidderminster, Worcs DY11 7JA.
Tel: 01562 754827
- A. Penny** (2013) “Culross”, Hadleigh Road, Elmsett, Ipswich, Suffolk IP7 6ND.
Tel: 01473 658768
- A. Rew** (2014) Wolborough Barton, Newton Abbott, Devon TQ12 1EJ.
Tel: 01626 365107 Mob: 07734 830021
wolborough@btconnect.com
- D. Willoughby** (2012) Brambles, Sessay, Thirsk, North Yorkshire, YO7 3BE Tel: 01845 501448 willoughby.moto@gmail.com
- M. Wren** (2014) Levenside, Newby Bridge, Ulverston, Cumbria LA12 8LZ.
Tel: 01539 531082/07921 214661
mick.wren@virgin.net
- Committee Secretary: Mary Kerr Tel: 01788 566403 mary@acu.org.uk*

BENEVOLENT FUND ADMINISTRATIVE COMMITTEE

- CHAIRMAN – R. Hanks** 50 Lyndhurst Road, Erdington, Birmingham B24 8QS. Tel: 0121 373 1035/0121 686 8700 Eve: 0121 686 3799
royacu@btconnect.com
- Mrs M. Carter JP** (Treasurer) Hunters Gap, Thorpe Lane, Guiseley, Leeds LS20 8JH. Tel: 01943 878666
mcarterhuntersgap@btinternet.com
- R. Collins** 12 Winchester Road, Buckland, Portsmouth, Hants PO2 7PT. Tel/ Fax: 02392 691803/07789 767421
roycollins82@btinternet.com
- Mrs W. Evans** 3 Mount View Terrace, Onchan, Isle of Man IM3 1AB.
Tel: 01624 621296/07624 433540
desandwyn@manx.net
- F. J. Henley** 33 Connaught Road, Aylesbury, Bucks HP20 1PS. Tel: 01296 481539
frederick@fhenley.wannadoo.co.uk
- C. Pattinson** 6 Churchfields, Wincanton, Somerset BA9 9AJ. Tel: 01963 33001

R. W. Smith 59 Green Avenue, Chellaston,
Derby DE73 6TE. Tel: 01332 722671
r.smith266@ntlworld.com

Trustees: Mrs M. Carter, R. Collins, Mrs W.
Evans, R. Hanks, F. J. Henley, Mrs J. Macphee,
C. Pattison, R. W. Smith.

*Secretary: Debbie Walmsley Tel: 01788 566419
dw@acu.org.uk*

TECHNICAL PANEL

TECHNICAL CONSULTANT – Dr. P. King 3

Branston Avenue, Barrow upon Soar,
Loughborough, Leicester LE12 8XL
Tel: 01509 416369 p.d.king@lboro.ac.uk

TECHNICAL CO-ORDINATOR – Mr E. Jones 18

Chapel Street, Astwood Bank, Redditch B96
6DA. Tel: 01527 893392/07947 319432

*Secretary: Michelle Haynes Tel: 01788 566405
michelle@acu.org.uk*

SUSTAINABLE EVENT MANAGEMENT PANEL

CHAIRMAN – P. Gregory 9 The Green,

Saltburn, Cleveland TS12 1NF. Tel: 01287
625607 pgregory@ntlworld.com

(Members to be appointed by Sport Committees
plus Specialist Representatives).

*Secretary: Michelle Haynes Tel: 01788 566405
michelle@acu.org.uk*

MEDICAL PANEL

CHAIRMAN: Mr R Hanks

Mr T Branfoot	Mr P Burnage
Dr A Butler	Mr K Dwyer
Dr C Horst	Dr I Roberts
Dr A Walker	Dr B Winter

*Chief Medical Advisor: Dr H Romer
Secretary: Debbie Walmsley Tel: 01788 566419
dw@acu.org.uk*

ACU EVENTS LTD DIRECTORS

CHAIRMAN – B. Higgins Sunnycote,

Marytavy, Tavistock, Devon PL19
9QB. Tel: 01822 614355 (Office hours)
brian@rentafford.fsnet.co.uk

Managing Director – J Parker 172 Tower Road,

Ware, Herts SG12 7LL Tel: 01920 444205
Eve: 01992 551564 Fax: 01920 468686
jim@neweramcc.org

R. Hanks 50 Lyndhurst Road, Erdington,
Birmingham B24 8QS. Tel: 0121 373
1035/0121 686 8700 Eve: 0121 686 3799
royacu@btconnect.com

R. Humphrey 11 Shepherds Avenue, Earley,
Nr. Reading, Berks RG6 1AY. Tel: 07850
598886 royh.acu@btinternet.com

Dr P D King (2013) 3 Branston Avenue,
Barrow Upon Soar, Loughborough,
Leicestershire LE12 8XL, Tel: 01509 416369
p.d.king@lboro.ac.uk

*Company Secretary: Gary Thompson MBE BEM
Tel: 01788 566414 gary@acu.org.uk*

ACU INSURANCE LTD DIRECTORS

G. Thompson MBE BEM ACU Ltd, ACU
House, Wood Street, Rugby, Warwickshire
CV21 2YX. Tel: 01788 566414 Fax: 01788
573585 gary@acu.org.uk

Mrs G. Brough

Mr G. Crease

SPEEDWAY CONTROL BUREAU

Lt. Col. (Retd) E. P. Bartlett (Independent
Chairman) The Conifers, West Promenade,
Driffield, East Yorkshire YO25 6TZ.
Tel: 01377 252806

A. Harkess (BSPA) 2 Juniper Gardens, Juniper
Green, Edinburgh EH14 5EJ. Tel: 0131
3378887

A. F. G. Noel (ACU) 9 Finch Croft Lane,
Prestbury, Cheltenham, Gloucester GL52
5BD. Tel: 01242 244553

C. Van Straaten (BSPA) 14 Hartland Road,
Tipton, West Midlands DY4 8BQ. Tel: 0121
5301250

G Thompson MBE BEM ACU House, Wood
Street, Rugby, CV21 2YX
*General Secretary: G. Reeve Tel: 01788 565603
Fax: 01788 552308*

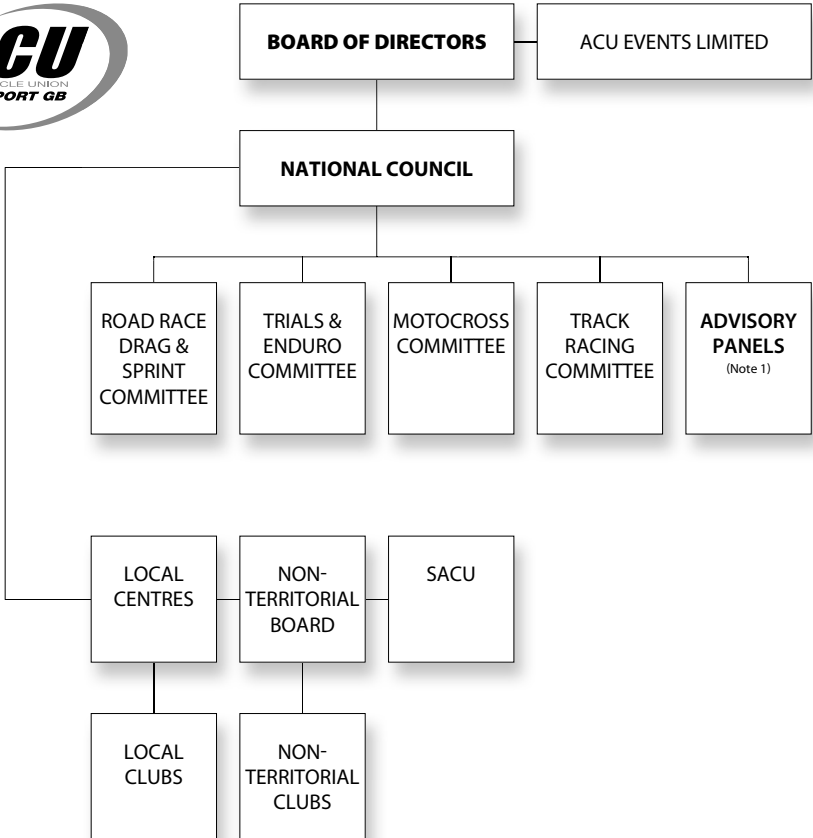
MCRCB

D. Carter (Chairman/AMRCO)

Dr. J. Palmer (MRPC)

J. Parker (ACU) 172 Tower Road, Ware, Herts
SG12 7LL. Tel: 01920 444205/01992 551564
Mob: 07710 275950 jim@neweramcc.org

Auto-Cycle Union Limited structure



NOTE 1
Technical
Sustainable Event Management
Medical
International
Adjudicators

Who should I contact at the ACU?

Normal office hours are 09.00–17.00. Monday–Friday.
 Outside these hours please leave an answer phone message.

GENERAL RECEPTION

Tel: + 44 (0) 1788 566400

Fax: + 44 (0) 1788 573585 admin@acu.org.uk

website: www.acu.org.uk

General Secretary

Gary Thompson MBE BEM **01788 566414**

gary@acu.org.uk

General Secretary's Assistant

Jayne Blackwell **01788 566413** jayne@acu.org.uk

PR & Marketing Officer

Richard Blyth **01788 566428** pr@acu.org.uk

Licencing Enquiries

01788 566417 licence@acu.org.uk

Road Race Manager

Eddie Nelson **01788 566431** Mobile **07860 281094**

eddie@acu.org.uk

Road Race Secretary

Rowena Perks **01788 566406** rowena@acu.org.uk

Road Race Assistant, Technical Panel

Michelle Haynes **01788 566405** michelle@acu.org.uk

Secretary & Sustainable Event Management

Panel Secretary

Motocross & Competitions Secretary

Sonia Goggin **01788 566404** sonia@acu.org.uk

Motocross Assistant

Kirsty Telford **01788 566408** kirsty@acu.org.uk

Trials & Enduro Secretary

Mary Kerr **01788 566403** mary@acu.org.uk

Trials & Enduro Secretary

Alison Devine **01788 566409** alison@acu.org.uk

Track Racing Secretary

Tracey Cossar **01788 566402** tracey.cossar@acu.org.uk

Financial Controller

Xenia Munro **01788 566411** xenia@acu.org.uk

Accounts Assistant

Kalpna Vaghela **01788 566410** kalpna@acu.org.uk

Training

Debbie Walmsley **01788 566419** dw@acu.org.uk

ACU Benevolent Fund Secretary

Debbie Walmsley **01788 566419** dw@acu.org.uk

ACU House Reception

Geraldine Wilson **01788 566400** admin@acu.org.uk

ACU EVENTS LTD

ACU Events Ltd Operations Manager

Stuart Drummond **01788 566432**

Mobile **07976 696773**

stuart.drummond@acu.org.uk

Maxxis ACU British Motocross

Brian Higgins **01822 614355**

Championship Series Manager

Mobile **07793 494793**

brian@rentafford.fsnet.co.uk

Isle of Man TT Race Secretary

Michelle Haynes **01788 566405** michelle@acu.org.uk

THIEVING STOPS HERE

If the engine or frame number on your bike has been tampered with, don't bother taking it to an ACU event.

There's a bike stolen every seven minutes, 120,000 are still missing. The value of these is in excess of £70m. Result: sky-high insurance premiums, many existing riders forced off the road and newcomers who cannot afford the insurance.

Anyone found in possession of a machine with tampered or defaced engine or frame numbers will not be allowed to race.

THERE IS NO PLACE IN OUR SPORT FOR DISHONESTY

Anti-theft screw tightens

The ACU is determined to ensure that all motorcycle sport is conducted in a fair, honest, and sporting manner, so that every competitor has an even chance of success. Competitors using stolen engines, frames and components, which they disguise by altering or erasing the identification numbers are seeking unfair advantage. Whether they actually steal bikes themselves, or simply buy bits cheaply, "no questions asked", the effect is the same; they seek an unfair advantage over the honest competitor, and contribute to the motorcycle theft epidemic, which affects all motorcyclists in the long run, racers or not.

The ACU is a partner in the Anti-Theft Initiative (ATI) piloted jointly by the Auto-Cycle Union, British Motorcyclists Federation and the Motorcycle Action Group and is also Secretariat to the Motorcycle Crime Reduction Group (MCRG). Scrutineers and specially trained ATI marshals will specifically check the authenticity of engine and frame numbers. Where "dodgy" numbers are found, the facts will be reported to the Clerk of the Course who will exclude suspect machines from competing. No ifs or buts.

The ATI marshals are fully briefed on how to conduct their examinations at the scrutineering point without interfering with the normal running of the meeting.

Good Motorcycle Sport depends on the trust of competitors and the support of the general motorcycling public. Using stolen bike parts is like any other form of cheating. The monstrous theft rate of motorcycles significantly deters people from buying and using them. Fewer riders means fewer race fans; fewer fans means less income for organising clubs; less income means fewer events; fewer purchases of motorcycles means that sales volumes decrease, and the cost of legitimate bikes and parts increases.

Everybody in the motorcycle world is affected by the scourge of theft, and the ACU will do everything possible to keep that scourge away from competitive sport.

If your machine has an erased or altered frame or engine number, you will be prevented from racing.

NON-TERRITORIAL BOARD

President:

Mr J. Parker, 4 Grange Court, Port Hill,
Hereford, Herts SG14 3EL Tel: 07710 275950
jim@neweramcc.org

Chairman:

Mr J. Blower, Windyways, 195 Star
& Garter Road, Stoke on Trent ST3
7HJ. Tel: 01782 311201/07989 353961
johnblower@hotmail.co.uk

General Secretary:

Mrs M. Mellish, 4 Douglas Avenue, Harold
Wood, Romford, Essex RM3 0UT. Tel/
Fax: 01708 342684 mmmellish@aol.com

NON-TERRITORIAL CLUBS

0501 BRC

Mr J Parker, 4 Grange Court, Port Hill,
Hereford, Herts SG14 3EL Tel: 07710
275950 jim@neweramcc.org
RR, MX

0500 Army Motorcycling Association

Lt Col Mike Tizard, 18 Sherfield,
Winterbourne Dauntsey,
Salisbury, Wiltshire SP4 6HF
Tel: 01980 611198/07767 756167
Mike.tizard@btinternet.com
E, T, HH, SCE

0502 British Motor Cycle Racing Club Ltd

Mrs Tracey Ringrow, BMCRC, Unit
B5, Seedbed Centre, Davidson Way,
Romford, Essex RM7 0AZ. Tel: 01708
720305/01708 509161 Fax: 01708 720235
tracey@bemsee.net www.bemsee.net
RR, rr

**0503 British Motorcycle Racing Club
Marshals Association**

Mrs Tracey Ringrow, BMCRC, Unit
B5, Seedbed Centre, Davidson Way,
Romford, Essex RM7 0AZ. Tel: 01708
720305/01708 509161 Fax 01708 720235
tracey@bemsee.net www.bemsee.net
RR, rr

0504 British Scooter Sport Organisation

Mr Paul Green, 2 Burnside Business
Park, Turnpike Close, Grantham NG31
7XU. Tel: 08707 561447 Fax: 08707
561448 info@scooterracing.org.uk
www.scooterracing.org.uk
SCR, SC, SCT, ST, SR

0377 CJSC

Mr S. Collier, 9 Curlew Close,
Londen, SE28 8HT Tel: 0208 311 1396
stevencollier@mail2world.com
mx

0506 Classic Racing Motorcycle Club Ltd

Mr Nick Hooper, 7 Leyton Cross
Road, Dartford, Kent DA2 7AP.
Tel: 01322 220215/0207 1162862
hooperman100@btinternet.com
www.crmc.co.uk
RR

0507 Clubmans Racing MCC

Mr J Parker, 4 Grange Court, Port Hill,
Hereford, Herts SG14 3EL Tel: 07710
275950 jim@neweramcc.org
RR, MX

0505 CSMA Club

Mr Tim Ingram, c/o Club Activities
Dept, CSMA Club, Britannia House,
21 Station Street, Brighton BN1
4DE. Tel: 0845 3457444 Fax: 01273
744761 tim.ingram@csmclub.co.uk
www.csmclub.co.uk
RR, S, HC, MX, GT, LT, T, LDT, E, RAL

0598 Ducati Sporting Club

Mr Chris Bushell, 103 Willow
Park, Otford, Sevenoaks, Kent
TN14 5NF. Tel/Fax: 01959 522249
chris.bushell@ducatissportingclub.com
www.ducatisportingclub.com
RR

0576 EBTC Bike Trial Our Sport

Mr David Bradley, 41 Burlington
Gardens, Hadleigh, Benfleet,
Essex SS7 2JJ. Tel: 01702 559137
dc_bradley@talktalk.net www.ebtc.net
BT, bt

0508 Federation of British Police Motorclubs

Mr Peter Edwards, c/o Fingerprint Unit,
Bradford Park, 3 Bank Street, Clayton,
Manchester M11 4AA. Tel: 0161 8560101
pete.edwards@gmp.pnn.police.uk
RR, T, E, RAL, Social

0509 Formula Sidecar Racing Association

Mrs Jane Banks, 27 Oak Road,
Stone, Staffordshire ST15 8NG.
Tel: 01785 616256/07790 371948
banks.jane@yahoo.co.uk www.fsra.org.uk
RR

0510 GRASA

Mrs Di Wain, 104 Purbrook Way, Leigh
Park, Havant, Hampshire PO9 3SB.
Tel/Fax: 02392 644061/07881 818089
diwain@ntlworld.com www.grasa.co.uk
GT

0627 Greeves Riders Association

Mr Mike Eady, 1 Winsford Close,
Newhall, Walmley, Sutton Coldfield, West
Midlands B76 1EU. Tel: 0121 329 3200
mike@eadym.freemove.co.uk
T, Social

0282 KRC

Mrs Jo Marchant, The Cottage,
High Street, Leigh, Tonbridge,
Kent TN11 8RH. Tel/Fax: 01732
838500 info@krcendurance.co.uk
www.krcendurance.co.uk
RR

0590 London Douglas Motorcycle Club Ltd

Mr Roger Gibbard, 12 Victoria Road,
Chingford, London E4 6BZ. Tel: 0208
5291305
RAL

0585 MR Thumpercross Club

Mr Adam Hooper, c/o Martins
Rubber Co Ltd, 28-36 Orchard
Place, Southampton SO14 3PE.
Tel: 02380 213705 Fax: 02380 631577
mrthumpercross@thumpercross.com
www.thumpercross.com
MX

0609 Mercian Dirt Riders

Miss Gail Lucas, 34 Brookend Street,
Ross on Wye HR9 7EE. Tel: 01989
763455 mdrenduro@btinternet.com
www.merциandirtiders.co.uk
SCE, HH

0511 Morgan Three Wheeler Club Ltd

Mr John Blower, Windyways, 195
Star & Garter Road, Lightwood,
Stoke on Trent ST3 7HJ. Tel: 07989
353961 johnblower@hotmail.co.uk
www.mtwc.co.uk
RR, S, HC, T, LDT

0513 Motor Cycling Club Ltd

Mr Peter Lawley, The Vicarage,
Ashley Road, St. Georges, Telford TF2
9LF. Tel: 01952 613511 Fax: 01952
612923 peterlawley@talktalk.net
www.themotorcyclingclub.org.uk
T, LDT

0514 Motorcycle Club of Wales

Mr Elwyn Williams, Three Chimneys,
Llansantffraid, Powys, SY22 6AX
Tel: 01691 828330 llanfyllinmcc@aol.com

0515 National Association of Supertwins

Mrs Yvonne Mott, 15 Marigold
Walk, Widmer End, High Wycombe,
Bucks HP15 6BZ. Tel: 07785
926957/01494 713825 ymott@its.jnj.com
www.supertwins.co.uk
DR

0577 National Bike Trial Club

Mr G. Ayre info@biketrialuk.co.uk

0516 National Hill Climb Association

Mr Peter Isaac, 205A Berron Road,
Burnham-on-Sea, Somerset TA8 2JG.
Tel: 01278 786377 pgisaac@tiscali.co.uk
www.nhca.co.uk
HC, hc

0517 National Sprint Association

Mrs Helen Greathead, 80 Ogilvy
Drive, Bottesford, Scunthorpe, North
Lincolnshire DN17 2PS. Tel: 01724
347801/07921 712266
S, s

0518 New Era MCC Ltd

Mr Phil Tomlin, 25 Rusper Road,
Dagenham, Essex RM9 4NT Tel: 07711
822594 Phillip.tomlin@btinternet.com
RR, rr, PB, pb, SM, sm

0519 N G Road Racing Club

Mr Neil Day, 16 Gardiner Close,
Chalford, Stroud, Gloucestershire
GL6 8NJ. Tel: 07813 809344/01453
731839 neil@ngroadracing.org
www.ngroadracing.org
RR, rr

0680 Racesafe Marshals Association Limited

8 Britton's Road, Barrow, Bury St
Edmunds, IP29 5AF. adrian@racesafe.org

0520 RAF Motorsports Association

Mr Paul Owens, 9 The Green, Linton-on-Ouse, York, North Yorkshire YO30 2AA Tel: 07889 166472 paulowens42@gmail.com
RR, SM, S, HC, MX, GT, E, T, SCE, HH

0571 Royal Navy Motorcycle Club

Mr Ian Lunn, Quappelle, Lee Ground, Whiteley Lane, Fareham, Hampshire PO15 6RP. Tel: 01329 845723 ianlunn@aol.com
MX, T, E, Social

0521 Santa Pod Racers Club

Mrs Paula Marshall, SPRC, PO Box 12, Rushden, Northants NN10 0ZU. Tel: 01933 313625/01933 311811 Fax: 01933 355558 paula.marshall@btconnect.com www.eurodragster.com/sprc
DR

0522 Sidecar Motocross Association of Great Britain

Mr Steve Tye, The Rookery, 3 Alanbrooke Road, Colchester, Essex CO2 8EG. Tel: 01206 792182 steve.tye@aspects.net
MX

0523 Supermoto Racing Club

Mr J Parker, 4 Grange Court, Port Hill, Hereford, Herts SG14 3EL Tel: 07710 275950 jim@neweramcc.org
RR, MX

0524 Trail Bike Enduro Club (TBEC)

Mrs Belinda Jarman, 13 Ellingham Avenue, March, Cambs PE15 9TA. Tel: 07749 499314 chairman@tbec.co.uk www.tbec.co.uk
HH

0525 Triumph Owners MCC

Mrs Margaret Mellish, 4 Douglas Avenue, Harold Wood, Romford, Essex RM3 0UT. Tel/Fax: 01708 342684
RR, RAL, Social

0572 TT Supporters Club

Mrs Rose Hanks, 50 Lyndhurst Road, Erdington, Birmingham B24 8QS. Tel: 0121 3731035/0121 6863799
Social

0248 Tyke Trial Ltd

Mrs S. Scriven, Southfields Farm, Bellerby, Leyburn, North Yorkshire DL8 5QN. Tel: 01969 624406 sscriven@southfieldsfarm.fsnet.co.uk
BT, bt

0654 Veteran Vespa Club

Mr Dick Townsend-Smith, 18 Tangier Way, Tadworth, Surrey KT20 5NB. Tel: 01737 350651 dick.townsendsmith@btinternet.com www.veteranvespaclub.com
Social

0526 Vincent HRD Owners Club

Mr Andrew Everett, PO Box 680, Orpington, Kent BR6 8WS. Tel/Fax: 0208 5391101 secretary998@voc.uk.com www.voc.uk.com
Social

0527 Vintage Motor Cycle Club Ltd

Mr James Hewing, Allen House, Wetmore Road, Burton on Trent, Staffordshire DE14 1TR. Tel: 01283 540557 Fax: 01283 510547
RR, S, D, SRR, GT, T, RAL

0528 Welsh Trail Riders Association

Mr Steve Williams, 21 Tewdrig Close, Llantwit Major, Vale of Glamorgan CF61 1SZ. Tel: 01446 795938 www.wtra.co.uk
E

THE SPORTS COUNCILS

UK Sport

40 Bernard Street, London WC1N 1ST. Tel: 0207 211 5100 Fax: 0207 211 5246

Sport England

3rd Floor Victoria House, Bloomsbury Square, London WC1B 4SE. Tel: 0207 2731551 Fax: 0207 383 5740

Sport Scotland

Caledonia House, South Gyle, Edinburgh EH12 9DQ. Tel: 0131 317 7200 Fax: 0131 317 7202

Sports Council for Wales

Sophia Gardens, Cardiff CF11 9SW. Tel: 0845 0450904 Fax: 0845 8460014

RECOGNISED PROMOTERS**200 MPH Ltd**

5 Carr Street, Brighouse, West Yorkshire
HD6 4AZ.

ACU Events Limited

ACU House, Wood Street, Rugby,
Warwickshire CV21 2YX. Tel: 01788
566400 admin@acu.org.uk

BA Promotions

7 Callow Crescent, Minsterley,
Shrewsbury, SY5 0BY
percivalj@hotmail.co.uk

Big Bike Rally Challenge

c/o Creative Products UK Rodney
House, Rodney Road, Cheltenham,
Gloucestershire GL50 1HX Tel: 0800 019
9860 robert@bigbikerallychallenge.co.uk
robert@tiger-fish.com

BSMC 2008 Ltd

2 Haugh Farm, Haugh Fold, Newhey,
Rochdale, Lancs OL16 3RF.

Club Thundersport Limited

Unit 8, Mallory Park Circuit, Kirkby
Mallory, Leicestershire LE9 7QE.

Dirtbike Action

21 Crowberry Drive, Harrogate HG3 2UF.

DKS Sport Ltd

50 Colchester Road, Great Totenham
North, Essex, CM9 8DG

Farleigh Castle Motocross Club

John Trueman, 57 Crispin Way, Bristol,
BS15 4SH

GMC Events Ltd

4E North Mill, Bridge Foot, Belper,
Derbyshire DE56 1YD. Tel: 07779
091014 jonty.edmunds@attglobal.net
www.jontyedmunds.com

HIMX

Gary Ford, 21 Mulberry Close, Parkgate,
Rotherham, South Yorkshire S62 6BW
Tel: 07966 367456
gary@motorx.freereserve.co.uk

Hottrax Motorsport Racing Club Limited

10 Merino Green, Stantonbury
Park, Milton Keynes, Bucks.
MK14 6FL. Tel: 08455 193197,
info@hottrax-motorsport.co.uk
www.hottrax-motorsport.co.uk

Hucklebridge Events Ltd

85 Pinewood Way, Colerne, Wiltshire
SN14 8QU. hucklebridgeevents@live.co.uk

L & M Events

3 The Old Court House, Tenterden
Street, Bury BL9 0AL. Tel: 0161
7052075 info@lmeventsuk.com
www.lmeventsuk.com

Mildenhall Stadium

Hayland Drive, West Row, Bury St
Edmunds, Suffolk IP28 8QU. Tel: 01638
711777 Fax: 01638 510967

Midwest Motorcycle Club Ltd

Unit 10, Enterprise Centre Lysander Road,
Bowerhill Ind Est Melksham, Wiltshire,
SN12 6QP

MotorSport Vision Racing (MSVR)

Motorsport Vision Centre, Brands
Hatch, Fawkham, Longfield, Kent DA3
8NG. Tel: 01474 872331 fax: 01474
874766 info@msvracing.co.uk www.
motorsportvision.co.uk/msvr

MTMX Promotions Ltd

4A Kerley Grove, Hightertown, Truro TR1
3PX Tel: 01872 222076/07815 202244

MWTRA Promoters

Greenfields, Kerry, Nr Newtown, Powys
SY16 4LH. Tel: 01686 670596 Fax: 01686
670354 vic@mwtra.co.uk

Newtown & District Automobile Club Ltd

31 Market Street, Newtown, Powys SY16
2PG. Tel: 01686 626641 Fax: 01686 628618
contact@bajaGB.co.uk

No Budget Cup Ltd

Nijverheidsstraat 3, 8020 Oostkamp,
Belgium

Nora-Mx

Willow House, Church Lane, Hampton
Poyle, Oxford OX5 2QF. Tel: 07860
668434

Norfolk Arena

Saddlebow Road, Kings Lynn, Norfolk
PE34 3AG.

Premier Off Road Events

Cwtching, Main Street, Boothby Graffoe,
Lincoln LN5 0LE.

Quad Events UK

Jason Smith, 12 Dudbridge Meadow,
Stroud, Glos. GL5 3NH. Tel: 07831
177974. smith.jason13@yahoo.co.uk

Reaching Peak Ltd

Hope Cottage Farm, Pouk Lane, Lichfield,
Staffs, WS14 0ET

RHL Activities Ltd

The Bryn Garage, Penpergwn,
Abergavenny, South Wales, NP7 5AA
gareth@227sport.com

Ride Offroad UK

Harrogate. Tel: 07802 572023/07725
161581 info@rideoffroaduk.co.uk
www.rideoffroaduk.co.uk

Ride XC

16 Maple Street, Clayton le Moors,
Accrington BB5 5JJ

Speed McQueen Events

Holmewood Lane, Armthorpe, Doncaster
DN3 3EH. Tel: Martin 07990 514 509.
martin@fatcatmotoparc.com

St Blazey Moto-X Off Road Promotions

Annears Garage, Tywardreath Highway,
Par, Cornwall, PL24 2RN

Straightliners Ltd

5 Carr Street, Brighouse, West Yorkshire
HD6 4AZ

Total Enduro

52 Knaresborough Road, Ripon HG4 1RE

UXC Promos

Wheeldon Farm, Hatwell, Totnes, Devon
TQ9 7JY.

RECOGNISED ASSOCIATIONS

0564 British Motorcycle Federation (BMF)

PO Box 9036, Enderby, Leicester
LE19 9BE. Tel: 01162 795111
enquiry@bmf.co.uk www.bmf.co.uk

0565 British Schoolboy Motorcycle Association (BSMA)

Mrs N. Selwyn, Oakgates, Bussage, Nr
Stroud, Gloucester GL6 8BB. Tel: 01453
883771

0566 Welsh Motorcycle Federation

Mr Elwyn Williams, Three Chimneys,
Llansantffraid, Powys, SY22 6AX
Tel: 01691 828330 llanfyllinmcc@aol.com

0568 The Imps Motorcycle Display Team

R. W. Pratt MBE (Director), Imps
Motorcycle Display, Folkestone Road,
Newham, London E6 6DJ. Tel: 0560
239 9821 info@impsonline.com
www.impsonline.com

0581 International Historic Racing Association (IHRO)

Mr Graham Boothby, Ferme de
Labry, 02250 Bosmont sur Serre,
France info@ihro.org.uk

0579 Junior Road Racing Association,

Mr Adrian Pallett, 3 Osbaston Hollows,
Nuneaton, Warwickshire CV13 0HP.
Tel: 07854 681766

rr

0596 Motorcycle Industry Association (MCIA)

1 Rye Hill Office Park, Birmingham Road,
Allesley, Coventry CV5 9AB. Tel: 02476
408000 Fax: 02476 408001

0685 Moto Syko Pitbike Racing Association

Mr T. Spiers, Level Inn House, Colby
Level, Colby, Isle of Man IM9 4AG.
Tel: 01624 833515/07624 459866 Fax
01624 833515 motosyko@manx.net

0721 MT Riders Club

Eric Jones, 44 Priory Road, West
Kirby, Wirral, Merseyside, CH48 7EU
Tel: 07588 534324 eric.janet@virgin.net
www.mtridersclub.co.uk

0681 Rally Tours

Gordon French, 5 Charnhill Crescent,
Mangotsfield, Bristol BS16 9JU.
Tel: 01179 560109/07808 403552
gordonfrench@blueyonder.co.uk

0582 Riders for Health UK

Elizabeth Dunn, The Drummonds,
Spring Hill, Harborough Road, Pitsford,
Northampton NN6 9AA Tel: 01604
889570 Fax: 01604 889595 rfh@riders.org

0684 Torbay Motor Club Ltd

Mr Rodger Harvey, 154 Duchy Drive,
Preston, Paignton TQ3 1EW. Tel: 01803
522752 rodderharvey@blueyonder.co.uk
www.torbay-mc.co.uk

0555 Y.M.S.A. Ltd

Mr J. Holden, P.O. Box 931, Sheffield S26
5UX. Tel: 07973 779051

USEFUL ADDRESSES

BRITISH MOTORSPORTS PROMOTERS LTD (BMP LTD)

Silverstone Drive, Silverstone Circuit,
Silverstone, Northants NN12 8TN.
Tel: 01327 320349

BRITISH SPEEDWAY PROMOTERS**ASSOCIATION (BSPA)**

BSPA Office, ACU House, Wood Street,
Rugby, Warwickshire CV21 2YX.
Tel: 01788 560648 Fax: 01788 546785
office@britishspeedway.plus.com

**ISLE OF MAN TT MARSHALS ASSOCIATION
LTD**

Isle of Man TT Marshals Office, Douglas,
Isle of Man IM2 6DA. Tel/Fax: 01624
618191 info@iomttma.com

MCUI

Mr Andrew Campbell, 24 Ballyminstragh
Road, Killinchy, Co. Down, Northern
Ireland BT23 6RE. Tel: 0044 2897541716
mcui@ireland.com

MCRCB

c/o Brands Hatch Circuit, Fawkham,
Longfield, Kent, DA3 8NG. Tel: 01474
875296

MOTOR SPORTS RISK SERVICES

Lockton International, 19 Spring
Gardens, Manchester M2 1FB.
Tel: 0161 828 3300 Fax: 0161 828 3335
dawn.luby@uk.lockton.com

MSA

Motor Sports House, Riverside
Park, Colnbrook, Slough SL3 0HG.
Tel: 01753 765000 Fax: 01753 682938
www.msauk.org

NEW ERA MARSHALS ASSOCIATION

Andy Lyons, c/o New Era MCC, 11 Mill
Studio Business Centre, Crane Mead,
Ware, Herts SG12 9PY. Tel: 01920 444205

SPEEDWAY CONTROL BUREAU

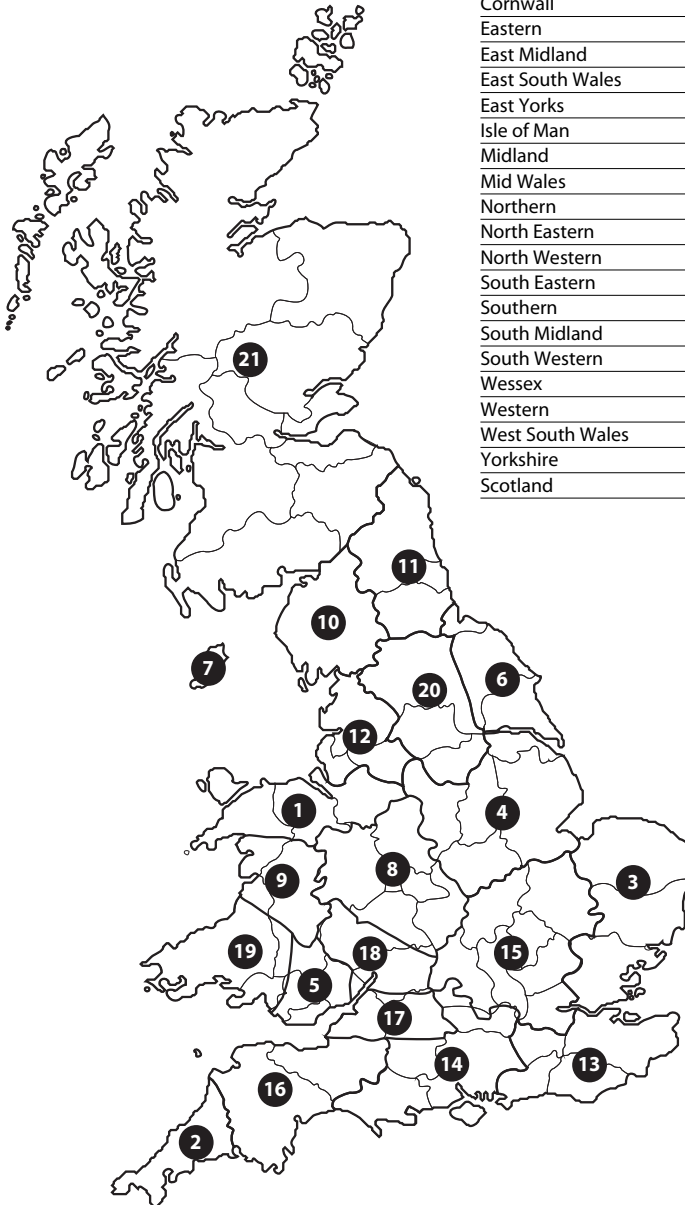
ACU House, Wood Street, Rugby,
Warwickshire CV21 2YX. Tel: 01788
565603 Fax: 01788 552308
office@scbureau.plus.com

THE TRAIL RIDERS FELLOWSHIP

P.O. Box 196, Derby DE1 9EY.

TT RIDERS ASSOCIATION

Frances Thorp, Mountain View, Glen
Maye, Isle of Man IM5 3BJ. Tel/
Fax: 01624 843695



Cheshire & North Wales	1
Cornwall	2
Eastern	3
East Midland	4
East South Wales	5
East Yorks	6
Isle of Man	7
Midland	8
Mid Wales	9
Northern	10
North Eastern	11
North Western	12
South Eastern	13
Southern	14
South Midland	15
South Western	16
Wessex	17
Western	18
West South Wales	19
Yorkshire	20
Scotland	21

Under each Club listed there is a key to the activities they offer, as follows:

	Adult	Youth
Road Racing	RR	rr
Pocket Bike	PB	pb
Sprint	S	s
Drag Racing	DR	dr
Hill Climb	HC	hc
Supermoto	SM	sm
Motocross	MX	mx
Quad Motocross	QMX	
Supercross/Arenacross	AC	ac
Beachcross	BC	
Moto Ball	MB	
Grass Track Racing	GT	gt
Sand Racing	SR	sr
Quad Grass Track	QGT	
Short Track	ST	
Trial	T	t
Arena Trial	AT	at
Long Distance Trial	LDT	
Quad Trial	QT	qt
Bike Trials	BT	bt
Enduro	E	
Short Course Enduro	SCE	
Hare & Hounds	HH	
Road Rallies	RAL	
Social	Social	
Scooter Racing	SCR	scr

1 CHESHIRE & NORTH WALES CENTRE

Area Cheshire (excluding those areas of the Halton and Warrington Districts situated north of the estuary of the River Mersey and north of the Manchester Ship Canal). Those areas of the Trafford, Manchester, Stockport and Tameside Districts of Greater Manchester situated south of the Rivers Mersey and Tame; the Wirral District of Merseyside, Clywd/Powys/Clywd boundaries through Maentwrog to the Meirionnydd District Boundary, the Newcastle-under-Lyme and Stoke on Trent Districts of Staffordshire.

Secretary

Mr P Roberts, Bryn y Mor, Llanellian-yn-Rhos, Colwyn Bay, LL29 8UY Tel: 01492 517749; phillip.brynymor@btinternet.com

Permit Secretary & Police Liaison Officer

Mr I. Dommett, 15 Buckingham Road, Cheadle Hulme, Cheshire SK8 5EG. Tel/Fax: 0161 282 0132 ianwilliam-billy@hotmail.co.uk

Trials Recorder

Mr R. Dorricott, 1 Oaklands, Guilden Sutton, Chester CH3 7HE. Tel: 01244 300593 trialsrecorder@uwclub.net

Rights of Way Officer/Benevolent Fund Officer

Mr R. J. Weale, "Old Brow" 18 Jackson Edge Road, Disley SK12 2JE. Tel: 01633 765794 ronweale321@hotmail.co.uk

0001 Cheshire Grass Track Club

Mr Phillip Winterton, Holmcroft, Middle Lane, Congleton, Cheshire CW12 3PU. GT

0002 Cheshire MC Marshals Association

Ms. Jaye Hall, 31 Marshall Lane, Northwich, Cheshire CW8 1JU.

Tel: 07815 318986 jayehall@yahoo.co.uk

0003 Cheshire MCRRC Ltd

Mr Paul Minshall, 3 Southfield Road, Little Sutton, Cheshire CH66 1PL. Tel: 0151 339 8810 paul_minshall@3southfield.fsnet.co.uk www.motorcyclenet.co.uk

RR, SCR

0004 Cheshire North West Schoolboys SC

Mrs Jayne Mycock, Hillside, Earlsterndale, Buxton, Derbyshire SK17 0BS. Tel: 01298 83379 Mob: 07790 850288 jane@jmycock.fsnet.co.uk

MX, mx

0005 Cheshire Youth Trials Club

Miss Nerys Jones, 3 Lon Alun, Denbigh, Denbighshire, LL16 5YB Tel: 01745 813392. nerys_12@hotmail.co.uk

T, t

0006 Colwyn MCC

Mr Graham Taylor, 12 Sunningdale Drive, Penrhyn Bay, Llandudno, Conwy LL30 3EG. Tel: 01492 549318/07721 400481 g.taylor@llandrillo.ac.uk www.colwynmotorclub.org.uk

T, t

0007 Congleton & DMC

Mr Martin Beech, 18 Springfield Drive, Congleton, Cheshire CW12 1HX. Tel/Fax: 01260 273068 mail@beechjoinery.co.uk

T

0008 Conwy & DMCC

Mr Graham Bradshaw, Hillberry, 25
Maelgwyn Drive, Deganwy, Conwy
LL31 9UY. Tel/Fax: 01492 581651
cmcclub@aol.com www.conwymcc.co.uk
Social

0009 Crewe & South Cheshire MC

Mrs Yvonne Ryder, 7 Greenway,
Coppenhall, Crewe, Cheshire
CW1 4JN. Tel: 01270 583593
yvonne@tonfanauroadracing.co.uk
www.tonfanauroadracing.co.uk
RR, rr

0010 Denbigh & Mold Trials Club Ltd

Mrs Alison Mackrell, 10 Imperial Terrace,
Coronation Road, New Broughton,
Wrexham, LL11 6YB. Tel: 01352
755046 alison.tofield@hotmail.co.uk
www.denbighandmoldtrials.co.uk
T, t

0012 Frodsham & DMCC

Mrs Margaret Britland, Hillside,
Off Carriage Drive, Frodsham,
Cheshire WA6 6EF. Tel: 01928 733358
margaretbritland@hotmail.co.uk
www.frodhamtrials.co.uk
T, t

0013 Llangollen & DMCC

Mrs Jeanette Heyward, 18 Pen y Bont,
Trevor, Llangollen LL20 7UF. Tel: 01978
821709 john.heyward@virgin.net
www.lldmcc.co.uk
T, t

0014 Macclesfield Trials Club

Mr Bill Brown, 2 Orme Crescent,
Tytherington, Macclesfield,
Cheshire SK10 2HS. Tel: 01625
613649 macctrails@tiscali.co.uk
www.macctrails.co.uk
T, t

0015 Manchester 17 MCC

Mr Henry Rosenthal, High Lodge,
Whirley Lane, Henbury, Macclesfield,
Cheshire SK10 4RR. Tel: 07801
065331 henry@renthal.com
www.manchester17.org.uk
T, t, E, HH

0016 Manchester Eagle MC

Mr David Dolman, 12 Goldsworthy Road,
Flixton, Manchester M41 8TX. Tel: 0161
748 3244
Social

0026 Masonic Motorcycle Club of Cheshire

Mr Ron Weale, Old Brow, 18 Jacksons
Edge Road, Disley, Stockport,
Cheshire SK12 2JE. Tel: 01663 765794
rjweale@msn.com
Social

0017 Nantwich & DMC

Mrs Mae McMinn, 20 Cawfield Avenue,
Widnes, Cheshire WA8 7HG. Tel: 0151
423 1098 mae.mcminn@fsmail.net
RR, S

0019 Oswestry & DMC

Mr Roger Smith, 25 Yew Tree Avenue,
Whittington, Oswestry, Shropshire
SY11 4BA. Tel: 01691 659533
roger.w.smith@btinternet.com
T, t

0011 Red Dragon Schoolboys MX Club

Mrs Gail Michalski, 6 Esthers Lane,
Weaverham, Northwich, Cheshire
CW8 3JR. Tel: 01606 851034
gail.michalski@btinternet.com
MX, mx

0021 South Liverpool MC

Mr John Lyons, 32 Kingscourt Road, West
Derby, Liverpool L12 8RD. Tel: 0151 220
3542 jaya.lyons@tiscali.co.uk
S, T

0023 Whitchurch MCC

Sally Evans, 12 Rilshaw Lane,
Winsford, CW7 3DJ Tel: 01606 869116
salpal181@gmail.com
GT, gt

0024 Winsford & DMC

Mr Dave Buckley, 35 Shores Green
Drive, Wincham, Northwich,
Cheshire CW9 6EE. Tel: 01565 733371
dave.buckley@ukgateway.net
T, t

0025 Wirral Hundred MC

Mrs Janet Helen Smith, Kerrowmoar, 18
Y Maes, Denbigh LL16 3JR. Tel: 01745
816773 janetsmith91@btinternet.com
www.wirral100.co.uk
RR, rr

0027 Wrexham MC

Mr Graham Barkley, 17 Oak
Meadows, Tanyfron, Wrexham
LL12 5TH. Tel: 01978 752653
www.wrexhamtrials.com
T, t

2 CORNWALL CENTRE

Area *Cornwall.*

Secretary

Mrs Elaine Jones, 16 Foxdown,
Wadebridge PL27 6BD. Tel: 01208 813745
richardelaine@foxdown20.freeserve.co.uk

Treasurer

Mr Richard Jones, 16 Foxdown,
Wadebridge PL27 6BD. Tel: 01208 813745
richardelaine@foxdown20.freeserve.co.uk

Chairman

Mr John Young, 1 Bodieve Farm Cottages,
Wadebridge PL27 6EG Tel: 01208 816716/07890
718820 thegranary@wadebridge.net

President

Mr N. Trebilcock, Pengale, 11 Westheath
Avenue, Bodmin, Cornwall PL31
1QH. Tel: 01208 77073/07977 445312
normantrebilcock@btinternet.com

Vice President

Mr R. Pooley, Chenhale Villa, Carharrack,
Redruth, TR16 5RB Tel: 01209 821181

Permit Secretary

Mr J. Stone, 1 Green Lane, Truro,
Cornwall TR1 2DD. Tel: 01872 277385
david.stone32@talktalk.net

Trials Recorder

Mr R. Parkyn, Mandalay Old Pound, Nanpean,
St. Austell, Cornwall PL26 7XS. Tel: 01726
824665

Grass Track Recorder

Miss J. Osborne, Prideaux Cottage, High Street,
St Austell, Cornwall PL26 7TE. Tel: 01726 72098
jacquiosborne42@hotmail.com

Motocross Recorder

Mr Richard Penhaligon Tel: 07770 411736
rpenhaligon@googlemail.com

Benevolent Fund Officer

Mr J. Bassett, Carniggie Cottage, Greenbottom,
Chasewater, Truro, Cornwall TR4 8QL.
Tel: 01872 561457

0031 Camborne & Redruth DMC & LCC

Lynn Roberts, c/o My Motors, East End,
Redruth TR15 2EJ Tel: 01209 214114
MX, T, HH

0032 Camel Vale MCC

Mrs Elaine Jones, 16 Foxdown,
Wadebridge, Cornwall PL27
6BD. Tel: 01208 813745
richardelaine@foxdown20.freeserve.co.uk
www.camel-valemcc.net
T, t, LDT, E, HH

0033 Cornwall Motocross Club

Mrs Lisa Jurgens, 21 Mount Pleasure,
Cambourne TR14 7RR Tel: 01209
717362 secretary@cornwallmxclub.co.uk
www.cornwallmxclub.co.uk
MX, QMX, SCMX, Social

0034 Cornwall Solo Grass Track Club Ltd

Mrs Ann Johns, Homestead, Buller Hill,
Redruth, Cornwall TS16 6SR. Tel: 01209
217454 www.csqtc.co.uk
GT, gt

0505 CSMA Club

Mr Tim Ingram, c/o Club Activities
Dept, CSMA Club, Britannia House,
21 Station Street, Brighton BN1
4DE. Tel: 0845 3457444 Fax: 01273
744761 tim.ingram@csmaclub.co.uk
www.csmaclub.co.uk
RR, S, HC, MX, GT, LT, T, LDT, E, RAL

0167 Gwellheans "Off the Road"

Christine Dale, Gwellheans, The Douglas
Hocken Centre, Alma Place, Redruth,
Cornwall TR15 2AT.
Tel: 01209 211825/01209
821935 Fax: 01209 214957
christine@gwellheans.co.uk
www.gwellheans.co.uk
T

0537 Mid Cornwall Premier Motorcycle Club

Mr Mark Courtney, Carbis Wharf, Roach,
St Austell PL26 8LA Tel: 07810 885174
woofmc1@aol.com www.mcpmcc.com
GT

0036 Pendennis MC & LCC Ltd

Mrs Alison Kemp Tel: 01872 864114
kemlynkemp@aol.com
www.pendennismotorcycleclub.co.uk
MX, BC, QMX, LST, BT, E, SCE, HH, Social

0038 West Cornwall MC Ltd

Mr Gareth White, 5 Carvossa Estate,
Crowlas, Penzance, Cornwall TR20.
Tel: 07773 206411 reth@talktalk.net
www.westcornwallmotorclub.com
HC, T, t, HH

3 EASTERN CENTRE

*Area Norfolk, Suffolk, Essex and that area
of Greater London situated north of the
River Thames and east of the River Lea.*

Secretary

Mrs L. Berwick, 23 Tymmes Place, Hasketon,
Ipswich, Suffolk IP13 6JD Tel: 0785 7601 753
lynberwick@hotmail.com

Chairman

Mr R G Hearn (Jack), 25 Quinton Road,
Needham Market, Suffolk IP6 8BP. Tel/
Fax: 01449 721042 jack.vera7@btinternet.com

President

Mr A. E. Penny, Culross, Hadleigh Road,
Elmsett, Ipswich, Suffolk IP7 6ND. Tel: 01473
658768 apenny@nwsld.f9.co.uk

Treasurer

Mr A. J. Hay, 27 Tizzick Close, Three Score,
Norwich NR5 9HB. Tel: 01603 734700
andrew.hay10@btinternet.com

Permit Secretary/Gazette Editor

Mr C. M. Armes, 64 Two Saints Close, Hoveton,
Norfolk NR12 8QR. Tel/Fax: 01603 782023
colin.ames@btinternet.com

Motocross Recorder

Mr A. Hay, 27 Tizzick Close, Three Score,
Norwich, NR5 9HB Tel: 01603 734700
andrew.hay10@btinternet.com

Track Racing Recorder

Mr J. Sayer, 'Hylands', Dunmow Road, Thaxted,
Dunmow, Essex CM6 2NX. Tel: 01371 870123
jayessex98114537@aol.com

Trials Recorder

Mr D. Cordle, 4 Bullen Close, Bramford,
Ipswich, Suffolk IP8 4JE. Tel: 01473 462274
the.cordles@talktalk.net

Enduro Recorder

Mr R. G. Hearn, 25 Quinton Road, Needham
Market, Suffolk IP6 8BP. Tel: 01449 721042
jack.vera7@btinternet.com

**Environmental Officer & Sports Council
Representative**

Mr E. Wass, 10 Knights Road, Braintree, Essex
CM7 3YT. Tel: 01376 331111

Rights of Way Officers

Mr R. Drane, 8 Haylor Close, Braintree, Essex
CM7 3NZ. Tel: 01376 323047

Mr P. Gammon, 9 South Road, Lakenheath,
Suffolk IP27 9AT. Tel: 01842 861352

Benevolent Fund Officer

Mr M. Cross, Magrathea, East Hanningfield
Road, Howe Green, Sandon, Chelmsford,
Essex CM2 7TQ. Tel: 01245 478275
xfamily@nildram.co.uk

0039 Braintree DMCC

Mr M. Hughes, Vine Cottage, Tumblers
Green, Stinstead, Essex. CM77 8AZ
Tel: 01376 328225 Mob: 07886 435705
emily_75@hotmail.co.uk
GT, MX, T

0040 Bury St. Edmunds & DMCC (MX)

Mr N. Sargent, "Rhencullen", The Street,
Wymmerstone, Stowmarket, Suffolk, IP14
4SJ Tel: 01449 780302 Mob: 07764 625336
neilandlynn@tiscali.co.uk
N&S G

0041 Castle Colchester MCC Ltd

Mrs V. Maltby, Rose Cottage, Bourne
Road, West Bergholt. CO6 3EP
Tel: 01206 241249 vmaltby@fsmail.net
www.castlemcc.co.uk
E, MX, T

0042 Chelmsford & DAC

GT, MX, T
Mrs, S. Thorpe, 55, Nipsells Chase,
Mayland, Chelmsford, Essex, CM3 6EH
Tel: 01621 740514 www.cdac.org.uk
sue@thorperacing.plus.com

0505 Civil Service Motoring Association Ltd

Club Activities Dept, Britannia House,
21, Station Street, Brighton. BN1 4DE
Tel: 01273 744721 Fax: 01273 744753
club-activities@csma.co.uk

T, RAL

0044 Diss MCC Ltd.

Mrs W. Bavin, Lion House, 101
Victoria Road, Diss. Norfolk. IP22 4JG
Tel: 01379 643960 Fax: 01379 642631
bavinyamah@aol.com www.dissmcc.co.uk
E, MX, T,

0045 Docklands Dirt Riders

Mr C. Salt, Beckton Activity Centre,
7 Hillcroft Road, London E6 6LW
docklandsriders@hotmail.com

0046 Dunmow & DMCC Ltd.

Mr J. Sayer, 'Hylands' Dunmow Road,
Thaxted, Dunmow, Essex, CM6 2NX
Tel: 01371 870123 Mob: 07816 393894
Jayessex98114537@aol.com
MX, GT, T

0047 Eastern Centre Marshals Club

A. Foskew, 9, Ebenezer Close, Witham,
Essex. CM8 2HX Tel: 01376 517169
alanfoskew@btinternet.com

0048 Eastern Four Stroke Association

Mr Rob Sayers, 29 Roman Way, Long
Melford, Sudbury, Suffolk CO10 9LN
Tel: 01787 370180 Mobile: 07855 607429
henstan@sky.com
T

0049 Eastern Sporting Sidecar Association

Mrs Y. J. Smith, 88 Glebe Road, Kelvedon,
Essex CO5 9JS Tel: 01376 570970
yvonnessa@btinternet.com
GT

0051 Essex & Suffolk Border MCC

Mr P. Fenn, 9 The Crescent, Barham,
Nr Ipswich, Suffolk IP6 OPE Tel: 01473
830666 fenn@barhamsuf.freemove.co.uk
MX, T, N&S G

0052 Halstead & DMCC

Mr A. C. Adams, 35 Tollgate Court,
London Road, Stanway, Colchester, Essex
CO3 0RE Tel: 01206 540484
MX

0053 Harwich MCC

Mr L. Barnes, 72 Pound Farm Drive,
Dovercourt, Essex CO12 4JZ Tel: 01255
551088
RR, T, Ral, Social

0054 Ilford MC & LCC

Mr K. Price, 110 Cranham Road,
Hornchurch, Essex RM11 2BA Tel: 01708
455525
T

0055 Ipswich MC & LCC

Mrs P. Cordle, 4 Bullen Close, Bramford,
Ipswich, Suffolk IP8 4JE Tel: 01473
462274 thecordles@tesco.net
MX, T N&S G

0056 Littleport & DMC & LCC

Mr P. Gammon, 9 South Road,
Lakenheath, Suffolk. IP27 9AT
Tel: 01842 861352. Mob: 07902 286239
kim.gammon@aol.com
MX, T

0057 Lowestoft Invaders MCC

Mr R. Greengrass, 58 Dell Road
West, Oulton Broad, Lowestoft,
Suffolk NR33 9NS Tel: 01502 563566
rjg@rongg58.plus.com
E, T, N&S G

0058 Newmarket MCC.

Anna Hallam 1 Icknield Close Cheveley
Newmarket CB8 9SU Tel 01638 730688
Mobile 0780 88905147.
RR Social N&S G

0059 Norfolk & Suffolk Jnr. MCC

Mrs D. Secker, 1, Hingham Road, Gt.
Ellingham, Attleborough, Norfolk
NR17 1HY Tel: 01953 455722
donnaecker@btinternet.com MX Sec.
Mrs T. Hales Tel: 01953 453629 Trials
Sec. Mr P. Collins Tel: 01502 568252
www.nsjmcc.co.uk
YTH/GT, MX, T, N&S G

0071 Norfolk Motocross Club (Norfolk MX)

Mrs J. Herring, 5 Brussels Close,
Dereham, Norfolk, NR19 1UR Tel: 01362
690305 secretary@norfolkmx.com

0060 Norwich Viking MCC Ltd

A. J. Hay, 27, Tizzick Close, Colney,
Norwich, NR5 9HB. Tel: 01603
734700 andrew.hay10@btinternet.com
www.norwichvikings.co.uk
MX, T N&S G

0062 Red Lodge MCC

Mrs L. Berwick, 23, Tymmes
Place, Hasketon, Ipswich, Suffolk,
IP13 6JD Tel: 07857 601753
lynberwick@hotmail.com
MX

0061 St. Georges MCC

Miss D. Harvey, 7, Haywards Field,
Grange Farm, Kesgrave, Ipswich,
Suffolk. IP5 2XH Tel: 01473 610971
d.harvey1@tiscali.co.uk
E, SCH, HH

0063 Southend & DMCC

M. Cross, "Magrathea", East
Hanningfield Road, Sandon. Chelmsford,
Essex. CM2 7TQ Tel: 01245 478275
xfamily@nildram.co.uk
MX, T, GT

0064 Stowmarket & DMCC Ltd.

Mrs V. Hearn, 25 Quinton
Road, Needham Market, Suffolk
IP6 8BP Tel: 01449 721042
jack.vera7@btinternet.com
ET N&S G

0065 Sudbury MCC

Mr G. Mays, 55 Alan Way, Colchester,
Essex, CO3 4LB
01206 531768/01473 232232
g.may@ntlworld.com
ET

0066 Triangle (Ipswich MCC)

Mrs J. Blackburn, 4, Princethorpe Rd,
Ipswich. Suffolk. IP3 8NY Tel: 01473
715705 secretary@trianglemcc.co.uk
www.trianglemcc.co.uk
triangle.ipswichmcc@ntlworld.com
MX, T, GT, ADLT +YTH N&S G

0067 Triumph Owners MCC (Epping Forest Branch)

Mr E. Mills, 11, Tudor Villas, Burton
Lane, Goffs Oak, Herts EN7 6SF
Tel: 01707 875372 Mob: 07956560078
edward.mills@hewden.co.uk
RR & Social

0068 Watton & DMC & CC

Mr B. Catchpole, 76, Bush Road,
Hellesdon, Norwich, Norfolk NR6 7UE
Tel: 01603 402541/01603 488220

0069 West Essex MCC

Mr C. Crowder, Mayville, Dunton Road,
Dunton Wayletts, Nr Brentwood, Essex
CM13 3SH Tel: 01268 414143
T

0070 Woodbridge & DMCC & CC

Mr T. Andrews, 9 St Johns Meadow,
Fressingfield Road, Metfield,
Harleston, Norfolk, IP20 0LY
Tel: 01379 586819 Mob: 07803 270853
tjandrews112@sky.com
E, GT, MX, T

0071 Wymondham & DMC

Mr C. Dopson, 34 Lynch Green,
Hethersett, Norwich, Norfolk NR9
3JT Tel: 01603 810934 Fax: 01603
813290 Mob: 07710 352489
dopson_boar@msn.com
G, T, T, N&S G

0072 500cc Sidecar Association

Mrs, S. Moorcock, 1, Bedfords Cottages,
Bedford Hill, Good Easter, Chelmsford.
Essex CM1 4SG Tel: 01245 231871 07971
872246
G, T,

GROUP

0074 Norfolk & Suffolk Group Clubs & Racing Combine

Mrs M. E. Armes, 64, Two Saints
Close, Hoveton, Norfolk, NR12
8QR Tel/Fax: 01603 782023
colim.ames@btinternet.com
www.barhamsuf.freeseerve.co.uk/
nsgrouptrials.htm

4 EAST MIDLAND CENTRE

*Area Leicestershire, Derbyshire,
Nottinghamshire, Lincolnshire and that area of
Humberside situated south of the River Humber
and of the River Ouse.*

Secretary

Mr P. Beardmore, 8 Ash Tree Hill, Cheadle,
Staffs ST10 1UQ. Tel/Fax: 01538 750057
beardmorepeter@hotmail.com

Chairman

Mr M. Jessup, 54 Monks Road, Binley Woods,
Coventry CV3 2BS. Tel: 02476 544463
mark.jessup@btinternet.com

Treasurer

Mr G. Shearing, 11 The Maltings, Shardlow,
Derby DE72 2HH. Tel: 01332 792165
geoff@emcacu.freeseerve.co.uk

Permit Secretary & Police Liaison Officer

Mr T. Crabtree, Hillcroft, New Mill Lane, Forest
Town, Mansfield, Notts NG19 0HH. Tel: 01623
628176 terrycrabtree@btinternet.com

Trials Recorder

Mr J. Garrod, 9 Hawthorne Crescent,
Scunthorpe, North Lincs DN17 1DP. Tel: 01724
861573

Grass Track Recorder

Mr R. W. Smith, 59 Green Avenue, Chellaston,
Derby DE73 6TE. Tel: 01332 722671
r.smith266@ntlworld.com

Benevolent Fund Officer

Annie Boyle, 126 Uttoxeter Road, Hill
Ridware, Nr. Rugeley, Staffordshire WS15
3QX. Tel: 01543 492212/07866 605082
annie126@btopenworld.com

0075 Banovallum MCC

Mr Richard Woolsey, "Millbrook",
Huttoft Road, Sutton-on-Sea,
Lincoln LN12 2RU. Tel: 01507
442084 josephinewoolsey@aol.com
www.banovallum-mcc.co.uk
T, t, E, HH, Social

0076 B.M.W. Owners (Sporting Register)

Mr Robert Bensley, Oak Tree Farm,
Heath Road, Banham, Norwich
NR16 2HS. Tel: 01953 888415
robertbensley@btinternet.com
www.bmwclub.org
Social

0077 B.S.S.A. (East Midland)

Mrs J. Blount, 33 Layton Avenue,
Mansfield, Notts NG18 5PJ.
Tel: 01623 659797/07757 636830
jacblount@hotmail.com
T, t

0078 Burton & District Sporting MCC

Mrs Annie Boyle, 126 Uttoxeter Road,
Hill Ridware, Nr Rugeley, Staffs WS15
3QX. Tel: 01543 492212/07866 605082
annie126@btinternet.com
GT, gt

0080 Cheadle (Staffs) AC

Mr Peter Beardmore, 8 Ash Tree Hill,
Cheadle, Staffs ST10 1UQ. Tel/Fax: 01538
750057 beardmorepeter@hotmail.com
www.cheadleautoclub.org.uk
T, t

0081 Clubmans Racing Club (East Midlands)

Dr. Paul King, 3 Branston Avenue,
Barrow upon Soar, Leicester LE12 8XL.
Tel: 01509 416369 p.d.king@lboro.ac.uk
RR

0505 CSMA Club

Mr Tim Ingram, c/o Club Activities
Dept, CSMA Club, Britannia House,
21 Station Street, Brighton BN1
4DE. Tel: 0845 3457444 Fax: 01273
744761 tim.ingram@csmclub.co.uk
www.csmclub.co.uk
RR, S, HC, MX, GT, LT, T, LDT, E, RAL

0082 Darley Moor MCRRC Ltd

Miss Sandra Nelson, Anvil House, Derby
Road, Old Tupton, Chesterfield, Derby
S42 6LA. Tel: 01246 866537 Fax: 01246
861480 admin@darleymoore.co.uk
www.darleymoore.co.uk
RR, rr

0083 Derby Phoenix MCC Ltd

Mr David Smith, 14 Leaper Street,
Derby DE1 3ND. Tel/Fax: 01332
204198 dave.smith@dpmcc.co.uk
www.derby-phoenix.co.uk
RR

0084 Earl Shilton Trials Club

Mrs Gail Tuley, 17 Willow Lane,
Cranwell Village, Sleaford, Lincs,
NG34 8DQ Tel: 07815 565285
estcmembers@hotmail.co.uk
www.estc.co.uk
T, t

0085 Early Stocks Racing Club

Miss Cassandra Beardmore, Edelweiss,
Glebe Road, Kingsley, Stoke on
Trent, Staffs ST10 2AQ. Tel: 01538
757183 cass.steve@btopenworld.com
www.earlystocks.co.uk
RR

0014 East Coast Trials Club

Mrs Vicky Burgess, 88 Banovallum
Gardens, Horncastle, Lincs.
LN9 6RF. Tel: 01507 525554
vicky.burgess@btconnect.com

0086 East Midland Racing Association

Mr Mark Jessup, 54 Monks
Road, Binley Woods, Coventry
CV3 2BS. Tel/Fax: 02476 544463
mark.jessup@btinternet.com
www.eastmidlandracing.co.uk
RR

0087 FRC

Mr Brian Beck, 41 Fishponds Drive,
Crigglistone, Wakefield, West Yorkshire
WF4 3PB. Tel: 07786 233385 Fax: 01226
296713 brianbeck@btinternet.com
Social

0089 Humberside Hawks MCC

Mr Neil Holcombe, 33 Woodsley
Avenue, Cleethorpes, North East Lincs
DN35 8TU. Tel: 07894 401637/01472
237049 neil.holcombe@ntlworld.com
www.humbersidehawks.co.uk
T, t

0090 Ilkeston & District MC & CC

Mrs Alexandra Reynolds, 9 Dawn
View, Trowell, Nottingham NG9
3QU. Tel: 07957 295252 Fax: 01159
177926 ilkandis@hotmail.com
www.ilkandis.org.uk
T, RAL, Social

0018 Leicester Area Riders Fellowship (LARF)

Mr Noel Aucott, PO Box 9209,
Leicester LE9 0BQ. Tel: 07779 728258
larfuk@gmail.com
T, LDT, E, SCE, HH, Social

0091 Leicester Grass Track Club

Mrs Vera Smith, 59 Green
Avenue, Chellaston, Derby
DE73 6TE. Tel/Fax: 01332
722671r.smith266@ntlworld.com
GT, gt

0092 Lincoln MC & LCC Ltd

Mr Graham Swaby, 42 Baildon
Crescent, Lincoln LN6 8HS. Tel: 01522
682984 grahamswaby@aol.com
www.lincolnmotorsport.co.uk
T, t

0093 Loughborough & DMCC

Mr Richard Hodges, 122 Main Street,
Thringstone, Coalville, Leicester LE67
8NB. Tel: 01530 222082/07949 443316
jr.hodges@ntlworld.com
T, t

0094 Louth & DMCC

Miss Jacqueline Savage, Sandbeck, Cliff
Road, Saxby. Market Rasen, Lincs. LN8
2DQ. peter.boast1@btinternet.com
ST, QST

0095 Mansfield Maun MCC

Miss Karen Snowdon, 18 Kelvin
Close, Mansfield, Notts NG19
0LW. Tel: 01623 437421/07752
547995 tattytabs@googlemail.com
www.mansfieldmauntrials.co.uk
T, t

0097 North Derbyshire Youth MCC

Mr Alan Nixon, 542 Kedleston Road,
Allestree, Derby DE22 2NG. Tel: 01332
559813 www.ndymcc.co.uk
T, t

0098 Pathfinders & Derby MC Ltd

Mr Bryan Tuxford, 15 Westhall Road,
Mickleover, Derby DE3 0PA. Tel: 01332
516861 btuxford@btinternet.com
T, t

0182 Peak Classic Trials Club

Mr Martin Booth, 4 Fishpond Lane,
Barkstone le Vale, Notts NG13 0HG.
Tel: 07855 729143
T

0099 Pegasus MC & LCC Ltd

Mr Timothy Harris, 72 Barrowby Road,
Grantham, Lincolnshire NG31 8AF.
Tel: 01476 565311 to@ntlworld.com www.
spanglefish.com/Pegasusmotorcycleclub/
T, t, Social

0100 Peterborough MCC

Mr Peter Rushbrook, 33 Holmewood,
Holme, Peterborough PE7 3PG Tel: 01487
832205 p.rushbrook@tesco.net
T, t

0101 Retford & DMC Ltd

Mr Andrew Lane, 78 Ollerton
Road, Ordsall, Retford, Notts
DN22 7TH. Tel/Fax: 01777 701103
andy.lane78@btinternet.com
RR

0578 Rev and Go MCC

Mr Roger Edwards, Le Petit
Champ, Widmerpool Road, Wysall,
Nottinghamshire NG12 5QW. Tel: 07808
770368 anne.stuart@virgin.net
www.rev-n-go.org
mx, gt

0102 Scunthorpe MCC

Mr Mark Garrod, 46 West
Common Gardens, Scunthorpe,
North Lincs DN17 1EH. Tel: 01724
346351 garrods@ntlworld.com
www.scunthorpemcc.co.uk
T, t, BT, bt

0103 Sheffield & Hallamshire MC

Mrs Gill Morewood, 5 Leabrook
Road, Dronfield Woodhouse,
Dronfield, Sheffield, S18 8YS
robinmorewood7@aol.com
T

0104 Skegness MCC

Mrs Nancy Wilson, Station
House, Thurlby, Alford, Lincoln
LN13 9LJ. Tel: 01507 490308
nancywilson281@btinternet.com
www.skegnessmotorcycleclub.co.uk
T

0106 Sutton Falcons MC

Mrs Margaret Dodd, 43 Springwood
View Close, Sutton-in-Ashfield,
Nottinghamshire NG17 2HR. Tel: 01623
557882 mikemarg.dodd@ntlworld.com
www.suttonfalcons.com
T, t

0728 Thundersport Midlands

General Secretary D Stewart,
Thundersport House, Mallory Park
Circuit, Kirkby, Mallory, Leicestershire
LE9 7QE Tel: 01455 842600
jamiestewart@googlemail.com
RR, Gt

0108 Wainfleet & District Sporting MCC

Mrs Sheila Blackburn, New Farm,
Wainfleet Bank, Wainfleet St. Mary,
Skegness, Lincoln PE24 4JP. Tel/Fax: 01754
880659 reg.blackbourn@btopenworld.com
GT, gt, LT

5 EAST SOUTH WALES CENTRE

*Area Gwent, South Glamorgan, those parts of
Mid Glamorgan and the Brecknock District of
Powys situated east of a line from Porthcawl
through Aberdare to Builth Wells.*

Secretary/Treasurer/Permit Secretary

Mrs S. Payne, Tel: 07548 704676
gwentschoolboystrialsclub@btinternet.com

Chairman

Mr A. L. King, 95 Marlborough Road,
Cardiff CF2 5BW. Tel: 029 2048 2559
aking@boltblue.com

ACU Delegate/Police Liaison Officer/**Benevolent Fund Officer**

Mrs S. Payne, Colbost, Newport Road, Magor,
Caldicot NP26 3BZ. Tel: 01633 880442
gwentschoolboystrialsclub@btinternet.com

Child Protection Officer

Mrs Sharn Gibbs, 63 Beech Court,
Burgbed, CF81 8NS. Tel: 01443 829419.
sharnbadmc@excite.co.uk

Aberaman & DMCC

Mr Kevin Lloyd, 12 Queen Street,
Cwm-dare, Aberdare, CF44 8TT.
Tel: 01685 889078

0110 Abergavenny Auto Club

Mrs Debbie Dando, 3 Blaenant, Llanelly
Hill, Abergavenny NP7 0PP. Tel: 01873
831778 www.abergavennyautoclub.co.uk
MX, T, t

0665 Blackwood & District Motor Club Ltd

Mikki Down, 30 High Street,
Ynys-ddu, Caerphilly NP11 7JJ
Tel: 01495 201099/07531 860318
miksdup001@yahoo.co.uk
RR, rr, RAL

0114 Cardiff Motor Club

Mr Paul Watkins, 10 Lon-y-groes,
Birchgrove, Cardiff, CF14 4AB

0113 Caerphilly & District MC & LCC

Mr Carl Phillips, 27 King
Street, Abertidwr, Caerphilly
CF83 4BE. Tel: 07976 256589
carl.phillips@tiscali.co.uk
LDT, E, SCE, HH

0539 Ecurie Cymraeg

Mr Steve Durbin, 9 Llanover Street,
Abercarn, Newport. NP11 4SX. Tel: 01495
243990. steve@acurie-cymraeg.co.uk

0118 Gilfach Triangle Motor Club

Mr Keith Green, 76 Gilfach Stree,
Baroged, Mid Glamorgan. CF81 8LR.
Tel: 01443 832036. kwjgreen@talktalk.net

0119 Gwent Schoolboy Trials Club

Mrs Susan Payne, Tel: 07548 704676
gwentschoolboystrialsclub@btinternet.
com
T, t

0122 Merthyr Motor Club

Mr Steve Williams, c/o 14 Park Crescent, Thomastown, Merthyr Tydfil, South Wales CF47 0EU. Tel: 07802 230028/01685 386209 geoffrey.snow1@btinternet.com
T

0125 Pontypool & DMCC

Mrs Julie Elder, 35 Summersfield, Machan, Caerphilly, CF83 8RP. Tel: 07779 438042

T, t

0126 Rhondda Motor Club

Mr Reiner Stecker, Balaton, Pen-Yr-Eglwys, Llantwit Fardre, Pontypridd CF38 2HJ. Tel: 01443 204105/07977 427675 rhondda-motorclub@sky.com www.rhonddamotorclub.co.uk
RAL

0127 Trials Cymru

Mr Mike Rees, 15 Cherry Trees, Markham, Blackwood, Gwent NP12 0QW. Tel: 01495 223728 mikerees65@hotmail.com
T, t

6 EAST YORKS CENTRE

Area that part of Stockton Borough situated south of the River Tees, Middlesbrough Borough, Redcar & Cleveland Borough, that part of North Yorkshire situated East of the railway line from Northallerton to the boundary of York (including York), and east of the main York – Barlby – Howden to the East Yorkshire boundary and the area of East Yorkshire situated North of the Rivers Humber and Ouse.

Secretary

Mrs A. Watson, Dunriding, High Street, Castleton, Whitby YO21 2DB. Tel: 01287 660577 aec@watson577.fsnet.co.uk

President

Mrs Jayne Peace, Catterbridge Farm, Kirkbymoorside, York, YO62 6NF Tel: 01751 433271

Chairman

Mr D. Willoughby, Brambles, Sessay, Thirsk, North Yorkshire, YO7 3BE, Tel: 01845 501448 willoughby.moto@gmail.com

Permit Secretary & Police Liaison Officer

Mr J. W. Filer, 23 Rievaulx Way, Guisborough TS14 7AR. Tel: 01287 634404 william.filer@ntlworld.com

Benevolent Fund Officer

Mrs E. Race, 20 Broadlands Drive, East Ayton, Scarborough, North Yorkshire YO13 9ET. Tel: 01723 863987 erace@hotmail.co.uk

0129 Auto 66 Club

Mr Peter Hillaby, The Circuit Office, Oliver's Mount, Scarborough, North Yorkshire YO11 2YW. Tel: 01723 373000 Fax: 01723 373111 office@auto66.com www.auto66.com
RR, rr, SM, sm, S, s, HC, hc

0505 CSMA Club

Mr Tim Ingram, c/o Club Activities Dept, CSMA Club, Britannia House, 21 Station Street, Brighton BN1 4DE. Tel: 0845 3457444 Fax: 01273 744761 tim.ingram@csmaclub.co.uk www.csmaclub.co.uk
RR, S, HC, MX, GT, LT, T, LDT, E, RAL

0580 East Coast Off Road Club MX

Mr Mark Reville, 10 The Close, Stutor by Stow, Lincoln LN1 2AG. Tel: 01427 670556 www.eastcoastmx.co.uk
MX, mx

0131 Eboracum MCC of York

Mr Rodney Drake, 36 Pentland Drive Huntington, York YO32 9PQ. Tel: 07759 561646/01904 767679 eboracumtrials@hotmail.co.uk www.eboracummotorcycleclub.co.uk
T, t

0132 Guisborough & DMCC Ltd

Mrs Ann Watson, Dunriding, High Street, Castleton, Whitby, North Yorkshire YO21 2DB. Tel: 01287 660577 aec@watson577.fsnet.co.uk www.guisboroughdmc.co.uk
T

0133 Hull Auto Club

Mrs Jayne Peace, Catterbridge Farm, Kirkbymoorside, York YO62 6NF. Tel: 01751 433271
T, t

0134 Hull & District MCC

Mr Alan Barker, The Sycamores, 14 Carr Lane, Willerby, East Yorkshire HU10 6JW. Tel/Fax: 01482 650454/07887 592400
lindaandalanbarker@hotmail.co.uk
MX, mx

0136 Middlesbrough & DMC

Mr Peter Moon, 39 Bedford Road, Nunthorpe, Middlesbrough TS7 0BY. Tel: 01642 317594
peter.moon2@ntlworld.com
HC, T

0137 Northallerton & District Motorcycle Club Ltd

Mr Geoffrey Simpson, 4 Cooks Close, Ingleby Arncliffe, Northallerton, North Yorkshire DL6 3NW. Tel: 01609 882566
T

0138 North Yorkshire Road Racing Supporters Club

Mr Jason Dobson, 19 Quarry Road, Ripon, North Yorkshire HG4 2NN. Tel: 07976 894185
jason_dobson149@hotmail.com
www.nyrrsc.net
Social

0140 Pickering & DMC

Mr D. A. Brown, 4 Brockfield Road, Huntington Road, York YO31 9DZ. Tel: 01904 622274
david.blueyman@ntlworld.com
MX, mx, GT, gt, T, t

0595 Ryedale Motorcycle Club Ltd

Mr David Beal, Bellafax Grange, Marishes, Malton, North Yorkshire YO17 6UG. Tel/Fax: 01653 668231/07946 430478
d.beal@tiscali.co.uk
E

0141 Scarborough & DMC

Mrs Eileen Race, 20 Broadlands Drive, East Ayton, Scarborough, North Yorkshire YO13 9ET. Tel/Fax: 01723 863987
erace@hotmail.co.uk
www.scarboroughdmc.co.uk
T, t

0143 Thirsk & DMC

Mr Wayne Galloway, 2 Dale View, Gravel Hole lane, Sowerby, Thirsk, YO7 1NN Tel: 07590 985258
wayne.galloway@btinternet.com
MX, T, t

0613 Two Wheel Centre

Mr John Haines, Two Wheel Centre, Chapman Street, Hull HU8 7BH. Tel: 01482 318445
john.haines@hullcc.gov.uk
mx, qmx, t, bt

7 ISLE OF MAN CENTRE

Area *Isle of Man.*

Secretary

Mr Tony Temple, Uplands, Main Road, Glen Vine, Isle of Man IM4 4AZ. Tel: 01624 852842
tonytemple@manx.net

Rights of Way Officer

Mr Peter L Cain, Two Ways, Llerghy Cripperty, Union Mills, Isle of Man. Tel: 01624 851644

Benevolent Fund Officer

Mrs W. Evans, 3 Mount View Terrace, Onchan, Isle of Man IM3 1AB. Tel: 01624 621296
Mob: 07624 433540
desandwyn@manx.net

Manx National Two Day Trial – Secretary of the Meeting

Mr Tony Temple, Uplands, Main Road, Glen Vine, Isle of Man. IM4 4AZ Tel: 01624 852842
tonytemple@manx.net

0145 Andreas Racing Association Ltd

Suzanne Tasker, 128 Watterson Lane, Willaston, Douglas, Isle of Man IM2 6ND
Tel: 07624 421102
bikerchick07@live.com
RR

0146 Isle of Man Schoolboy Motor Cycling Club Ltd

Mrs Catriona McIntosh-Thomson, Roylin, Shore Road, Port St Mary, Isle of Man IM9 5LZ. Tel: 01624 833139/07624 451056
mcthomson@manx.net
MX, mx

0147 Isle of Man Youth Trials Club Ltd

Mrs Susan Everitt, 18 The Meadows, Kirk Michael, Isle of Man, IM6 1EX. Tel: 01624 878698
susan.everitt@wm.im
T, t

0542 Manx Grass & Sand Racing Motorcycle Club

Samantha Etchells, Mount View Cottage St Marks Road, Braaid Isle of Man IM4 2AJ Tel: 07624 202762
m.g.s.r@manx.net
MX, mx, QMX, qmx, GT, gt, SR, sr, QGT, E

0148 Manx MCC Ltd

Mrs Caroline Etherington, MMCC
Office, The Grandstand, Glencrutchery
Road, Douglas, Isle of Man IM2 6DA.
Tel: 01624 644648 Fax: 01624 620174
mgp@manx.net www.manxgrandprix.org
RR

0149 Peveril MC & LCC Ltd

Breeshay Bridson, 97 Lakeside Road,
Governors Hill, Douglas, Isle of Man IM2
7DE. Tel: 01624 622277/07624 430358
peverilmcc@manx.net
MX, mx, BC, QMX, T, t, AT, at, E

0150 Ramsey MCC Ltd

Mrs Nicola Flowers, 15 Auburn Road,
Onchan, Isle of Man IM3 1LN. Tel: 07624
465937 nf@manx.net
MX, mx, BC, QMX, T, t, HH

0151 Southern MCC Ltd

Mrs Brenda Crellin, Shilley Gniebe,
Ballachurry Road, Greeba, Isle
of Man IM4 3LE. Tel: 01624
801726 brenda@southernmcc.com
www.southernmcc.com
T, t, E, SCE, HH

0152 Southern 100 MCR Ltd

Mr George Peach, Ellerslie House, 128
Malew Street, Castletown, Isle of Man
IM9 1LT. Tel: 07624 471301 Fax: 01624
822546 georgepeach@manx.net
www.southern100.com
RR

0153 Vintage MCC Ltd (IOM Region)

Mr Anthony East, The Old Vicarage,
Main Road, Kirk Michael, Isle of Man
IM6 2HD. Tel/Fax: 01624 878242
tonyeast@manx.net
T

8 MIDLAND CENTRE

*Area Shropshire: The Stafford, South
Staffordshire, Cannock Chase, Lichfield,
Tamworth, East Staffordshire and the
Staffordshire Moorlands, Districts of
Staffordshire; West Midlands; Warwickshire,
those areas of Hereford and Worcester and
Gloucestershire, north of a line from Brimfield
through Worcester, Evesham and Moreton-in-
the-Marsh to the junction of the Oxfordshire and
Warwickshire boundaries.*

Secretary

Mr B. Webster, 2 Silverstone Drive, Sutton
Coldfield, West Midlands B74 2BD. Tel/
Fax: 0121 353 5857 brian1.webster@talktalk.net

Chairman

Mr T. Fairbrother, 14 Spring Grove Road,
Kidderminster, Worcester DY11 7JA. Tel: 01562
754827 tim.fairbrother@btinternet.com

Treasurer

Mr J. Wells, 6 Walkers Way, Coleshill,
Birmingham. B46 3DA. Tel: 01675 466810.
johnwells.sbmcc@virgin.net

**Permit Secretary, Police Liaison Officer &
Trials Recorder**

Mr R. Gill, 23 Hillwood Ave, Shirley, Solihull,
West Midlands B90 4XR. Tel: 0121 246 5823
gill.rf@googlemail.com

Motocross Recorder

Mr M. Francis, Nant yr Arth, Dolywern,
Pontfadon, Llangollen LL20 7AE. Tel: 01691
718199 mike4u@aol.com

Grass Track Recorder

Mrs D. Edwards, Oak Lodge, Buckwyns Chase,
Billericay, Essex CM12 0TN. Tel: 01277 632249
dawn@edwardsandson.co.uk

Centre Trials Secretary/Chairman

Mr G. Archer, 67 Mayswood Road, Solihull,
West Midlands. B92 9JE. Tel: 0121 743 3220.
graham.arch@googlemail.com

Centre Grass Track Chairman

Mrs J Gosling, 28 Steynor Avenue, Droitwich
Spa, Worcester WR9 8JW Tel: 01905 774987
Mob: 07929 922549 grassroots@sky.com

Benevolent Fund Officer

Mr & Mrs G. Daniel, 25 Doidge Road,
Erdington, Birmingham B23 7SQ. Tel: 0121
3502601 gerrydan@blueyonder.co.uk

0154 Antelope MCC (Coventry) Ltd

Mr Arthur. Davis, 29 Cherry Lane,
Hampton Magna, Warwick CV35 8SL.
Tel: 01926 496557 email@antelope-mcc.
co.uk www.antelope-mcc.co.uk

Social

0155 Avon Park International Racing Association

Mr Glenn Stockton, 123 The Downs,
Wilford, Nottingham NG11 7EB.
Tel: 07774 142892/01159 817701
glennstockton@123thedowns.fsnet.co.uk
www.shakespearecountyraceway.com
DR, dr1

0156 Bewdley MCC

Mr K. Basketfield, 68 Seabright Road,
Wolverley, Nr Kidderminster, Worcs.
DY11 5UE Tel: 01652 851911 Mob: 07768
256682. keith.basketfield@onetel.com
GT, T, E, Social

0157 Birmingham Motor Cycle Club

Mr Graham Harrison, 26 Fieldon Close,
Shirley, Solihull, West Midlands B90
3EA. Tel: 0121 745 2557/07801 729063.
graham.harrison26@o2.co.uk
T

0505 CSMA Club

Mr Tim Ingram, c/o Club Activities
Dept, CSMA Club, Britannia House,
21 Station Street, Brighton BN1
4DE. Tel: 0845 3457444 Fax: 01273
744761 tim.ingram@csmaclub.co.uk
www.csmaclub.co.uk
RR, S, HC, MX, GT, LT, T, LDT, E, RAL

0158 Dudley & District MCC

Mr Peter Cartwright, 54 Wolverhampton
Road, Kidderminster, Worcester
DY10 2UT. Tel: 01562 820259
peter@pcartwright7.orangehome.co.uk
T, t

0159 Evesham MCC

Mr Dave Kimberley, Honey Dew, Plough
Road, Tibberton, Worcester WR9 7NQ.
Tel: 01905 345395 p.wic615813@aol.com
GT, T, t

0663 Grassroots MCC

Mrs Jayne Gosling, 28, Steynor Avenue,
Droitwich Spa, Worcester WR9 8JW.
Tel: 01905 774987, Mob: 07929 922549
grassrootsmcc@sky.com
GT

0161 Kings Norton MCC

Mr Gordon Green, c/o TRIO, PO Box
14867, Birmingham, B18 9EN, Tel: 0121
748 4826. Sports Secretary, Mr Martin
Taylor, 225, Callowbrook Lane, Rubery,
Birmingham. B47 9TG. Tel: 0121 453
5144.

0162 Leamington Victory MC & LCC

Mr Alan Halford, 12 Dadglow
Road, Bishops Itchington,
Southam, Warwick, Warwickshire
CV47 2TG. Tel: 01926 613202
secretary@leamingtonvictory.org.uk
GT, T

0163 Market Drayton MCC

Mr Robin Barrett, 21 Ashwood Close,
Market Drayton, Shropshire TF9 3HF
Tel: 01270 624676 Mob: 07985 228905
marketdraytonmcc@hotmail.co.uk
T

0640 Midshires Grasstrack Club

Mr Matthew Wear, 57 Roseway,
Harlescott, Shrewsbury, Shropshire SY1
4HW. Tel: 07788 412062/01743 464183
midshiresgtc@hotmail.co.uk
GT, gt

0165 Minsterley MC

Miss Nicola Edwards, 48 Standen
Avenue, Hornchurch, Essex RM12
6AD. Tel: 07793 114987/01708 445889
nikkiedwards77@yahoo.co.uk
GT, gt

0166 Redditch MCC

Mr David Smith, The Willows, Cursley
Lane, Shenstone, Kidderminster,
Worcs. DY10 4DX Tel: 01527 592797
dave@globalpump.co.uk
T

0168 Salop Motor Club

Mr J. Pickering, 1 Catteralls
Lane, Whitchurch, Shropshire, SY13 4DF.
Tel: 01949661067. Mob 07761845308
j.pickering1@hotmail.co.uk
MX, mx, BT, bt

0169 South Birmingham Motor Club

Mr Tim Fairbrother, 14 Spring Grove
Road, Kidderminster, Worcester
DY11 7JA. Tel: 01562 754827
tim.fairbrother@btinternet.com
T

0170 South Shropshire MCC

Mr William Minta, 51 Brodgetway,
Shawbury, Nr Shrewsbury, Shropshire
SY4 4PG Tel: 01939 722894 Mob: 07779
654528 oakgatenursery@aol.com
T, t

0171 Stafford Auto Club

Mrs Judy Mills, 113 Doxey,
Stafford ST16 1EG. Tel: 01785
211121.judithmills1@sky.com
Tt

0173 Staffs Moorlands MCC

Mr Pat Trafford, 7 Rowvall View, Leek,
Staffs ST13 8JN. Tel: 01538 385016
p.trafford@sky.com
T

0174 Stourbridge Trials Club

Mr Jeff Wells, Winter Nellis, Uphampton
Lane, Oldfield, Ombersley, Worcester
WR9 0JW. Tel: 0121 5586191
T, t

0172 Stratford Upon Avon MCC

Mr David Hayward, 25 St Andrews
Crescent, Stratford upon Avon,
Warwickshire CV37 9QL. Tel: 01789
296484 dave.hayward@yahoo.co.uk
www.stratford-upon-avonmcc.org.uk
T, t, LDT

0175 West Bromwich MC & LCC

Mr Keith Cole, 153 Coronation Road,
Wednesbury, West Midlands WS10 0TW.
Tel: 0121 502 3722
Social

0585 Worcestershire Grass Track Club

Mrs Ann Skinner, Halfway Lock
Cottage, Upper Gambolds Lane, Stoke
Prior, Bromsgrove, Worcester B60
3HB. Tel: 01527 879636/07751 184701
ann.406skinner@btinternet.com
GT, gt

0177 Wrekin Bantam Grass Track Club.

Mr D.Crutchington, 5 Thurlston
Avenue, Solihull, West Midlands,
B92 7NY. Tel: 07836 770548.
dave.crutchington@dhl.com/
dave.thurl@blueyonder.co.uk
GT

9 MID WALES CENTRE

*Area that part of Meirionnydd district of
Gwynedd situated south of a line from the junction
of the Gwynedd/Powys/Clwydd boundaries
through Maentwrog District boundary. The
Montgomery and Radnor districts of Powys, those
parts of the Brecknock district of Powys and the
Ceredigion District of Dyfed situated north of a
line from Aberystwyth to Builth Wells.*

President

Mr John Bates, Little Gigrin, Rhayader. Powys.
LD6 5NU Tel: 01597 810435

Secretary & Police Liaison Officer

Anne Bates, Little Gigrin, Rhayader, Powys
LD6 5NU. Tel: 01597 810435/07903 829447
anne.trials@btinternet.com

Chairman

David Vaughan, Bank House, Rhos y Meirch,
Knighton, Powys. LD7 1NG. Tel: 01547 528712

Treasurer

Karen Madeley, Glen Haven, Abermule,
Montgomery, Powys SY15 6ND. Tel: 01686
630542 scott.poston@btinternet.com

Permit Secretary

Mr Vic Madeley, Greenfields, Kerry, Newtown,
Powys SY16 4LH. Tel: 01686 670596 Fax: 01686
670354 vic@mwtra.co.uk

ACU Forestry Liaison Officer

Mr Vic Madeley, Greenfields, Kerry, Newtown,
Powys SY16 4LH. Tel: 01686 670596

Child Protection Officer

Anne Bates, Little Gigrin, Rhayader, Powys LD6
5NU. Tel: 01597 810435

Benevolent Fund Officer

Mr M. Bates, Nant-yr-Wyn, Llanbister Road,
Landrindod Wells, Powys LD1 5UP. Tel: 01547
550393

0178 Aberystwyth & DMCC

Mr Chris Jones, Dyffryn Cain, Llandre,
Aberystwyth, Ceredigion SY24 5BS.
Tel: 07976 060936 admcc@admcc.co.uk
www.admcc.co.uk
E, HH, T, t

0181 Bro Cader MCC

Mr Colin Hughes, 72 Manod Road,
Blaeneu Ffestiniog Gwynedd, North
Wales LL41 4AF. Tel: 01766 831075
hughescolin@manodrd72.fsnet.co.uk
www.brocader.com
T, t, HH

0179 Builth Wells Motor Club

Mr Wayne James, Parc Yr Arfau, Tremont Road, Llandrindod Wells, Powys. LD1 5BW Tel: 01597 825410 Mob: 07746 447851 wayne_james@hotmail.co.uk
T, E, HH

0183 Central Wales Auto Club

Mrs Marion Brick, Woodside, 59 Rocks Meadow, Knighton. Powys. LD7 1LE Tel: 01547 529246 thebricks@hotmail.co.uk
E, T, HH

0184 Clive MCC Ltd

Mrs Shirley Shanahan, 4 Maesgarmon Close, Castle Caerenion, Welshpool, Powys SY21 9BQ. Tel: 01686 626677/01938 850337 kvsshahan@talktalk.net; force9.co.uk www.clivemcc.co.uk
T, t, RAL

0505 CSMA Club

Mr Tim Ingram, c/o Club Activities Dept, CSMA Club, Britannia House, 21 Station Street, Brighton BN1 4DE. Tel: 0845 3457444 Fax: 01273 744761 tim.ingram@csmclub.co.uk www.csmclub.co.uk
RR, S, HC, MX, GT, LT, T, LDT, E, RAL

0187 Diamonds MCC

Mrs Marianne Walford, Glanbachog, Staylittle, Llanbrynmair, Powys SY19 7BU. Tel: 01686 430522 marianne@diamondsmcc.org.uk www.diamondsmcc.org.uk

0185 Hafren Dirt Bike Club

Mrs Kate Jones, Cefngwilyg Fawr, Gorn Road, Llanidloes, Powys SY18 6LA. Tel: 01686 412530 jones@cefnwilyg.wanadoo.co.uk www.hafrendbc.co.uk
E, HC

0186 Llanfyllin & District MCC

Mrs Jean Williams, Three Chimneys, Llansantffraid, Powys SY22 6AX. Tel: 01691 828330 Fax: 01691 829396 llanfyllinmcc@aol.com
T, t

0596 Mid Wales & Border Counties Track Racing Club

Mr Mike Kilvert, Windy Way, Nantoer, Newtown, Powys SY16 1HH. Tel: 01686 610089/07971 098463 Fax: 01686 610093 mike.kilvert@btinternet.com
GT, T

0604 Mid Wales Dirt Track MC & QC Ltd

Miss Jessica Hockly, 1 Plas y Bryn Bungalow, Llanfair Road, Newtown, Powys SY16 3JY. Tel/Fax: 01686 626370 jess_hockly@yahoo.co.uk www.midwalesdirtrack.com
E, HH

0188 MWTRA Ltd

Mr Vic Madeley, Greenfields, Kerry, Newtown, Powys SY16 4LH. Tel: 01686 670596 Fax: 01686 670354 vic@mwtra.co.uk www.mwtra.co.uk
E, SCE, HH

0725 Peterchurch Grass Track Club

Miss Julie Banfield, 158 Bewdley Road, Stourport-on Severn, DY13 8XJ Tel: 01299 826973 juliebooboo1971@googlemail.com

0189 Rhayader MC & LCC Ltd

Mr Graham Watkins, 10 Church Street, Rhayader, Powys LD6 5AY. Tel: 01597 811161 g Watkins321@btinternet.com
MX, T, t, HH, E

10 NORTHERN CENTRE**Area Cumbria.****Secretary**

Mrs M. Hayhurst, Natland Park Farm, Natland, Kendal, Cumbria LA9 7QD Tel: 01539 721115 Mob: 07712 814190 natlandpark@hotmail.co.uk

Chairman

R. Wilson MRICS 180 Burnside Road, Kendal, Cumbria LA9 6EB. Tel: 01539 728565 mec27@btinternet.com

Vice Chairman

David Hail, New Mill Farm, Ponsonby, Seascale, Cumbria. CA20 1BU Tel: 01946 725773

President/Benevolent Fund Officer

Mr K. Quinn, 7 Arkholme Close, Carnforth LA5 9XF. Tel: 01524 732089

Treasurer/Police Liaison Officer & Permit Secretary

Mr Hugh Irving, 11 Derwent Drive, Kendal, Cumbria LA9 7PB. the.irvings1@gmail.com

Permit Secretary

Mr Hugh Irving, 11 Derwent Drive, Kendal, Cumbria LA9 7PB. the.irvings11@gmail.com

Rights of Way Officer

R. Wilson MRICS 180 Burnside Road, Kendal, Cumbria LA9 6EB. Tel: 01539 728565
hildawilson@btinternet.com

Motocross Recorder

Mrs Anne Hail, Mill Farm, Ponsonby, Seascale, Cumbria, CA20 1BU. Tel: 01946 725773.
anne.hail@tiscali.co.uk

Trials Recorder

Anthony Hayhurst, Natland Park Farm, Natland, Kendal. LA9 & QD. Tel: 01539 721115.
natlandpark@hotmail.co.uk

0790 Barrow and District Motorcycling Club

Mrs J Butler, Waltham Nursery, The Green, Millom, Cumbria. LA18 5JD. Tel: 01229 773494.
butler5jd@btinternet.com

0569 Bassenthwaite and District Motor Club Ltd

E Stephenson, 1 Moorside Cottage, Little Broughton, Cockermouth, Cumbria CA13 0XZ. Tel: 01900 824898.
eric.stephenson@jameswalker.co.uk

0192 Bootle Scrambles Club

Mrs Anne Leece, "Riverside", Hallthwaites, The Green, Millom, Cumbria LA18 5HP. Tel: 01229 772502/01229 773900
eadmin@haverigg.cumbria.sch.uk
T, t

0505 CSMA Club

Mr Tim Ingram, c/o Club Activities Dept, CSMA Club, Britannia House, 21 Station Street, Brighton BN1 4DE. Tel: 0845 3457444 Fax: 01273 744761 tim.ingram@csmclub.co.uk
www.csmclub.co.uk
RR, S, HC, MX, GT, LT, T, LDT, E, RAL

0193 Cumberland County MCC Ltd

Mr Frank Smith, 215 Blackwell Road, Carlisle, Cumbria CA2 4DN. Tel: 01228 532307 a.smith36@sky.com
T, t

0195 Cumbria Motocross Club Ltd

Mrs Sheila Murphy. Tel: 01229 580465.
honda44arronaiden@btinternet.com

0196 East Cumbria Moto X Club

Mrs Kath Lawson, Bank End Farm, Maryport, Cumbria CA15 6PA. Tel: 01228 545333/01900 817202
kathlawson@hotmail.co.uk
MX, mx

0735 Fell Side Auto Club Ltd

Mr Derek Reynolds, 4 Easington Avenue, Cramlington NE23 3HR Tel: 01670 733122 derekjreynolds@aol.com

0197 Lakes Grass Track Racing Club

Joanne Looker, 33 Croftlands, Warton, Nr Carnforth, Lancs LA5 9PY Tel: 01524 735793 joannelooker@hotmail.co.uk
T, t, Social

0198 Lakes Motorcycle Trials Association Ltd

Mr Mick Wren, Levenside, Newby Bridge, Ulverston, Cumbria LA12 8LZ. Tel: 01539 531082 mick.wren@virgin.net
T

0199 Northern Youth Motocross Club

Miss Ruth Byers, 37 Falcon Drive, Gretna, Dumfriesshire DG16 5JU. Tel: 01461 338895 byersruth@aol.com
MX, mx

0497 West Cumbria Motocross Club

Miss Susan Carling, Dean Cross Cottage, Lamplugh, Workington, Cumbria CA14 4RH. Tel: 01946 862020 Fax: 01946 861225 westcumbriamx@btconnect.com
www.deanmoormotocrosspark.co.uk
MX, mx, QMX, qmx

0202 Westmorland Motor Club Ltd

Mrs Tracey Dent, 57 Appleby Road, Kendal, Cumbria LA9 6ES. Tel: 01539 720420 traeli@talk21.com
www.westmorlandmotorclub.co.uk
HC, T, t, BT, bt, HH

11 NORTH EASTERN CENTRE

Area Northumberland, Tyne & Wear, those parts of Durham and Cleveland situated north of the River Tees.

Secretary

Mr Steve McCauley, 1 Brecon Close, Wansbeck Manor, Ashington, Northumberland NE63 0HT. Tel/Fax: 01670 854612
motomcfrog@aol.com

President

Mr B. Maxwell, 13 Whitfield Drive, Newcastle on Tyne NE12 8LD. Tel: 0191 266 8717

Vice Presidents

Mr R. W. Burdis, 61 Abbott Court, Gateshead NE8 3JY.

Mr Alan Mills, 12 Fern Terrace, White le Head, Stanley, County Durham, DH9 9SQ Tel: 01207 280990.

Chairman

Mr F. Nicholson, 9 Highbury Avenue, Springwell, Gateshead, Tyne and Wear. Tel: 0191 417 8326 frednich01@ntlworld.com

Police Liaison Officer

Mr S. McCauley, 1 Brecon Close, Wansbeck Manor, Ashington, Northumberland NE63 0HT. Tel: 01670 854612

Trials Recorder & Hon. Treasurer & Permit Secretary

Mr H. Norman, 19 Burnthouse Road, Whitley Bay, Tyne & Wear. Tel: 0191 252 8641
harry.norman1@blueyonder.co.uk

Motocross Recorder

Mr S. McCauley, 1 Brecon Close, Wansbeck Manor, Ashington, Northumberland NE63 0HT. Tel: 01670 854612

Road Racing Recorder

Mr R. W. Burdis, 61 Abbott Court, Gateshead NE8 3JY.

Rights of Way Officer

Mr Bob Neill, Unit 4 Prince Consort Ind Est, Prince Consort Road, Hebburn, Tyne & Wear NE31 1EH. Tel: 0191 4839483 Fax: 0191 4890298
wheelsproject@onetel.net.uk

Environmental Officer

Mr Fred Nicholson, 9 Highbury Avenue, Springwell, Gateshead, Tyne and Wear. Tel: 0191 417 8326.

Benevolent Fund Officer

Mr John Guthrie, 9 Hillside Gardens, Sunderland SR2 9AR. Tel: 0191 522 6260
guthaz@ntlworld.com

0203 Bedlington & DMC

Mr Colin Battensby, 30 Honister Way, Woodlands Park, Blyth, Northumberland NE24 3XB.
colin@bedlingtonmotorclub.co.uk
www.bedlingtonmotorclub.co.uk
T, t

0583 Castleside Trials Club

Mr Stephen Robson, 1 Whinny Place, Castleside, Consett, Co Durham DH8 9QZ. Tel: 01207 503787
T, t

0204 Consett & DMC

Mr Paul Egan, 42 Romney Avenue, Columbia, Washington, Tyne & Wear NE38 7EB. Tel: 07846 791316/0191 4192492
T, t

0505 CSMA Club

Mr Tim Ingram, c/o Club Activities Dept, CSMA Club, Britannia House, 21 Station Street, Brighton BN1 4DE. Tel: 0845 3457444 Fax: 01273 744761 tim.ingram@csmaclub.co.uk
www.csmaclub.co.uk
RR, S, HC, MX, GT, LT, T, LDT, E, RAL

0205 Durham County TC

Mr Fred Nicholson, 9 Highbury Avenue, Springwell, Gateshead, Tyne & Wear NE63 7PX. Tel: 0191 4162041/0191 4178326
T, t

0206 Falcon Motocross Club

Mr Steve McCauley, 1 Brecon Close, Wansbeck Manor, Ashington, Northumberland NE63 0HT. Tel: 01670 854612
MX, mx

0208 Iveston & Satley MCC

Mr Paul Anderson, Unit 1a, Durham Road Industrial Estate, Wolsingham, Bishop Auckland, Co Durham DL13 3JW. Tel: 01388 528966/07977 617294
Fax: 01388 529182 info@anderstonatv.com
MX, mx, QMX

0209 Newcastle & DMC

Mrs Denise Martin, 13 Whitfield Drive, Benton, Newcastle upon Tyne NE12 8LD. Tel/Fax: 0191 2668717
T, t

0210 North Durham MCSC

Mrs Josey Barwick, 26 Wolsingham Terrace, Annfield Plain, Stanley, Co. Durham DH9 8QJ. Tel: 01207 239406
T, t, Ral, Social

0213 North East Motocross Club

Mr Chris Blair, 13 Front Street, Consett, County Durham, DH8 5AF Tel: 07505 960322 chrisblair811@hotmail.co.uk www.nemxc.org.uk
MX, mx

0212 North East Motor Cycle Racing Club

Donna Davison, 7 Goschen Street, Blyth, Northumberland NE24 1NJ. Tel: 01670 797013 nemrc1962@yahoo.co.uk www.nemrc.co.uk
RR

0214 Northumbrian Classic MCC

Mr Raymond Newell, 2 Store House, Low Westwood, Newcastle upon Tyne NE17 7PL. Tel: 0191 2527373/01207 561890
RAL, Social

0611 N.X.C. (Northern Cross Country)

Mr Martin Bell, 25 Leyburn Close, Ouston, Chester le Street, Co Durham DH2 1TD. Tel/Fax: 0191 2619229/0191 4920035 service@olde-inorlde-fireplaces.co.uk
E

0215 Seaton Delaval & DMC

Mr Harry Norman, 19 Burnt House Road, Whitley Bay, Tyne & Wear NE25 9DZ. Tel: 0191 2528641 harry.norman1@blueyonder.co.uk
T, t

0216 South Shields & DMC

Mr John Guthrie, 9 Hillside Gardens, Sunderland, Tyne & Wear SR2 9AR. Tel: 0191 2610934/0191 5226260 Fax: 0191 2610796 guthaz@ntlworld.com
T, t

0599 Stanley Trials Club

Mr Paul Egan, 42 Romney Avenue, Washington, Tyne & Wear NE38 7EB. Tel: 07846 791316/0191 419 2492
T, t

0217 Tweed Valley MCC

Mr John Palmer, 12 Prince Charles Road, Scremerston, Berwick on Tweed, Northumberland TD15 2RG. Tel: 01289 302057 palmer001@btinternet.com
T, t

0218 Tynemouth & DMC

Mr Ken Soulsby, The Clubhouse, Billy Mill Lane, North Shields, Tyne & Wear NE29 8LP. Tel: 0191 2577686 www.tynemouthmotorclub.co.uk
T, t

0219 Tyne Valley Motocross Club

Mr Ronald Barker, 38 Park Dale Rise, Whickham, Newcastle upon Tyne NE16 5JR. Tel: 07707 634665
MX, mx, QMX, qmx

0220 Weardale & DMC

Mrs Lynn Grange, 3 Holdforth Crest, Bishop Auckland, Co Durham DL14 6DU. Tel: 01388 451158 bishgranges@hotmail.co.uk
T, t

0139 Wheels Project

Mr Bob Neill, Unit 4 Prince Consort Industrial Estate, Hebburn, Tyne & Wear NE31 1EH. Tel: 0191 4839483/0191 4212134 wheelsproject@talktalkbusiness.net www.wheelsproject.co.uk
T, t

12 NORTH WESTERN CENTRE

Area Lancashire; those parts of Greater Manchester situated north of the Rivers Mersey and Tame, those parts of Cheshire situated north of the estuary of the River Mersey and north of the Manchester Ship Canal; Merseyside (excluding Wirral District).

Secretary

Mrs A. Williams. Tel: 01772 435145/07973 523359 evening only (6pm–8.30pm only) angieboomoo@btinternet.com

President

Mr W. A. Clarke, 41 Upton Road, Atherton, Manchester M46 9RQ. Tel: 01942 873395 wbrentonc37@ntlworld.com

Chairman

Mr K. Wilson, 102 Waddicar Lane, Melling, Liverpool L31 3DY. Tel: 0151 5472286 kwill021@gmail.com

Treasurer & Permit Secretary & Police Liaison Officer

Mr E. Adcock, 19 Oxbow Way, Whitefield, Manchester M45 8SG. Tel: 0161 767 9239 eric-adcock@sky.com

Benevolent Fund Officer

Mr D. Harrison, 93 Yarrow Road, Chorley,
Lancashire PR6 0LU. Tel: 01257 410448
quizdave@yahoo.co.uk

Grass Track Recorder

Mr G. Lowe, Liversage House, 83 Underlane,
Grotton, Oldham OL4 5RN

Road Race Recorder

Mr H Williams – Tel: 01772
435145/07827289200 haydw@btinternet.com

Trials Recorder

Miss N. Foote, Station House, Boundary Lane,
Hundred End, Hesketh Bank, Preston PR4 6XE.
nic.foote04@fsmail.net

Rights of Way Officer

Mr Robert Baldwin, 3 Benjamin Row, Green
Haworth, Oswaldtwistle, Lancashire BB5 3RZ.
Tel: 01254 872727/01254 383808

0222 Aintree MC Racing Club Ltd

Mr John Abel, 49 Brandreth Drive,
Parbold, Wigan, Lancs WN8 7HB.
Tel/Fax: 01257 462216/07940
393333 jollyjack1@tiscali.co.uk
www.aintreemotorcyclercingclub.co.uk
RR

0224 Ashton U Lyne & DMC

Mr Hughie McIvor, 526 Huddersfield
Road, Stalybridge, Cheshire SK15 3NP.
Tel: 01457 832368
Social

0225 Bolton Motorcycle Club

Mr David Fallows, Morada, Eagly Bank,
Bolton BL1 7LF. Tel: 01204 303638
moradazoo7@hotmail.com
T, t

0226 Bury & DMCC

Mr Jack Isherwood, Riverdene, 43
Beatham Road, Milnthorpe LA7 7QN.
Tel: 01539 563144
MX, T

0227 Chorley MX Club

Mr David Jagger, 4 Claytongate Drive,
Penwortham, Preston, Lancs PR1 9SE.
Tel: 07760 434360/01772 316262
MX, SCE, HH

0228 Darwen MC & CC

Mrs Ann Titley, 55 Osborne
Terrace, Stacksteads, Bacup, Lancs
OL13 8JY. Tel: 07729 129107
info@darwentrialsclub.co.uk
www.darwentrialsclub.co.uk

0229 East Lancs MC & LCC

Mr David Banks, 681 Preston Old Road,
Feniscowles, Blackburn, Lancs BB2 5EN.
Tel: 01254 201906
Social

0230 Fleetwood & District MCC

Mr Peter Richardson, 21 Kendal Avenue,
Little Carleton, Blackpool, Lancs FY3
7LG. Tel: 01253 595599/01253 396991

0232 Lancashire Grass Track Junior Riders Club

Mrs Julie Lowe, Liversage House,
83 Under Lane, Groten, Oldham,
Lancs OL4 5RN. Tel: 0161 624 1795
www.lancashiregrasstrack.co.uk
GT, gt

0233 Lancs County MCC

Mr Mike Rapley, 3 New Acres, Carnforth,
Lancs LA5 9XD. Tel: 07788 161929/01524
734674 mikerapley@ktdbroadband.com
www.lancscountymcc.co.uk
T, t

0234 Manchester Ace MCC

Social

0221 Lucky Devils Mini Moto Racing

Miss Dominica Ward, 29 Devon
Street, Darwen, Lancs BB3 2JZ.
Tel: 07736 001318 lcrrc@hotmail.co.uk
www.lcrrc.co.uk
PB, pb

0236 Marshals North West

Mr D. Lawton, 27 Beatrice Road, Worsley,
Manchester M28 2TW. Tel: 0161 794
6870 mnwsec@googlemail.com &
houghtonsprint@marshalsnorthwest.co.uk
www.marshalsnorthwest.co.uk
Sprint

0237 Mersey MCC

Mr Alan Owens, 125 Rhodesia Road,
Aintree, Liverpool L9 9DT. Tel: 0151 474
5785
S, T

0239 Newton Le Willows MCC

Mr Peter Barnsley, 1 Hemmingway,
Blackpool, Lancs FY4 3BP. Tel: 07523
292121 www.nlwmcc.co.uk
MX, mx

0240 Pennine Range MC

Mr Robert Baldwin, 3 Benjamin
Row, Green Haworth,
Oswaldtwistle, Lancashire BB5 3RZ.
Tel: 01254 872727/01254 383808
baldwin_r2@sky.com
Social

0241 Preston & DMCC

Ms Denise Gunn, 63 Wyresdale
Crescent, Ribbleson, Preston,
Lancashire PR2 6UN Tel: 01772
795851 stroppey-cow@blueyonder.co.uk
www.prestondmc.co.uk
RR

0244 Rivington Barnstormers MCC Ltd

Mr David Harrison, 93 Yarrow
Road, Chorley, Lancs PR6 0LU.
Tel: 01257 410448/07905 159444
quizdave@yahoo.co.uk
GT

0245 Rochdale & DMCC

Mrs Margaret Whitlow, 32 Southdown
Close, Sudden, Rochdale, Lancs
OL11 4PP. Tel: 01706 633977
mwhitlow@tesco.net
T, t

0250 Waterloo & District MC

Mrs Marilyn Jones, 11 Beech Meadow,
Ormskirk, Lancashire L39 4XL.
Tel: 01695 570280 mal.cbr@hotmail.co.uk
www.wdmc.co.uk
Social

13 SOUTH EASTERN CENTRE

*Area Kent, East Sussex, West Sussex, Surrey and
that part of Greater London south of the River
Thames.*

Secretary

Mr Peter Burrell, 40 Annandale Road, Sidcup,
Kent, DA15 8EL Tel: 020 8300 5572/07885
682647 pj.burrell@btinternet.com

Treasurer

Mr Roger Brown, 66 Bramble Rise,
Brighton, BN1 5GF Tel: 01273
563931/01273 559110(W) Fax: 01273 500298
roger@rbtrophy.freemove.co.uk

Permit Secretary

Mr Stephen Westley, 4 Kembleside Road,
Biggin Hill, Kent, TN16 3NL Tel: 01959 575732
doublefive@ntlworld.com

Trials Recorder

Mr Roger Abbott, 39 The Grove, Biggin
Hill, Kent, TN16 3TA Tel: 01959 575759
reabbott@btinternet.com

Motocross Recorder

Mr Les Batten, 15 Blackley Close, Lower Earley,
Reading, Berks, RG6 7YE Tel: 01189 669303
lesbattenfamily@aol.com

Grass Track Recorder

Mr Mitch Godden, 6 Green Lane, Marden,
Tonbridge, Kent, TN12 9RE. Tel: 01892 730922
Fax: 01892 730834 msgodden@hotmail.com

Enduro Recorder

Mr Alan Dudley, 183 Hamilton Avenue,
Tolworth, Surbiton, Surrey, KT6 7QA Tel: 020
8287 5186 alp_fc@yahoo.co.uk

Sport England Representatives

Mr John Claridge, 32b Elm Grove, London,
SE15 5DE Tel: 020 7732 1129

Mr Jim Wood, 92 Southpark Crescent,
Catford, London, SE6 1JP Tel: 020 8473 4115
nip_wood@hotmail.com

Right of Way Officers

(West Sussex)

Mr Bevis Billingham, 182 Elmer Road,
Middleton-on-Sea, Bognor Regis, PO22 6JA
Tel: 01243 585128 (home)

01903 714140 (work) bevis@trailway.co.uk
(Surrey)

Mr Steve Sharp, 4 Nelson Court, 17 Denmark
Road, Carshalton, Surrey, SM5 2JH.
steve.j.sharp@bt.com

(Kent)

Mr Tim Gooderson, Rhencullen, 179 The Green,
Welling, Kent, DA16 2PB good450@live.co.uk

Editor "The Sporting Motorcyclist"

Mr John Bramall, 16 Gifford Close, Fareham,
Hampshire, PO15 6PJ Tel: 01329 823282
johnbramall246@btinternet.com

Benevolent Fund Officer

Mr Jim Bacon, 57 Napier Road, Isleworth,
Middlesex, TW7 7HP. Tel/Fax: 020 8892 1191

0253 Archway Project

Mr Neil Monaghan, PO Box 3974,
London, SE2 9YB Tel: 020 8310 1730
neil.monaghan@archwayproject.org
SCE

0251 Ashford MCC

Mr Peter Walsh, 17 Nine Acres,
Kennington, Ashford, Kent,
TN24 9JN Tel: 01233 636179
walsh872@btinternet.com
T, t

0252 Astra Grasstrack Club

Mrs June Hurry, Millars, Amber Lane,
Chart Sutton, Maidstone, Kent, ME17 3SE
Tel/Fax: 01622 747387
GT

0254 Barham DMC & LCC

Mr Mark Ridge, 6 Greenacre,
Kingston, Canterbury, Kent CT4 6JF
Tel: 01227 830086 Mob: 07860 332655
mark.ridge@btinternet.com
T, t

0256 Bexleyheath & DMCC Ltd

Mr Dennis Fleet, 10 Penshurst Road,
Bexleyheath, Kent, DA7 5ES Tel: 01322
446556 djfleet@hotmail.co.uk
www.motorbiketrial.com
T, t

0258 Brighton & DMCC

Mrs Roslyn Brown, 66 Bramble Rise,
Brighton, BN1 5GF Tel: 01273 563931
roger@66bramble.freemove.co.uk
T

0260 Carshalton MCC

Mr Arthur Adams, 7 Benhill Wood Road,
Sutton, Surrey, SM1 4HG Tel: 020 8642
0964 arthuradams@talktalk.net
T, SCE

0261 Crawley & District MCC

Mr Lawrence Osborne, 11 Camber
Close, Pound Hill, Crawley,
RH10 7DQ Tel: 01293 409762
whphch_1982@yahoo.co.uk
MX, T

0716 Crowthorne Cycle Trials Club

Mr Graham Charles Tickner,
101 Cottimore Lane, Walton-on-
Thames, Surrey KT12 2BU Tel: 01932
885347 ticknerfamily@yahoo.co.uk
www.crowthorne-ct.co.uk
BT, bt, AT, at

0262 Croydon MCC

Mr Martin Brown, 3 Thurmond
Crescent, Stanmore, Winchester SO22
4DF Tel: 01962 624334/07899 588528
www.croydon-mcc.org.uk
T, t, SCE

0505 CSMA Club

Mr Tim Ingram, c/o Club Activities Dept,
CSMA Club, Britannia House, 21
Station Street, Brighton, BN1 4DE
Tel: 0845 3457444 Fax: 01273 744761
tim.ingram@csmaclub.uk.com
www.csmaclub.co.uk
T, RAL

0263 Dorking & DMS & LCC

Mrs Norma Miller, Highfield,
Orestan Lane, Effingham, Surrey,
KT24 5SN Tel: 01372 457280
norma-miller@hotmail.co.uk
T, S

0264 Double Five Kent MC Ltd

Mr Stephen Westley, 4 Kembleside Road,
Biggin Hill, Kent, TN16 3NL Tel: 01959
575732 doublefive@ntlworld.com
www.doublefive.co.uk
T, t

0265 Eastbourne & DMC

Mr John Cawt, 16 Mount
Pleasant, Blackboys, East Sussex,
TN22 5LH Tel/Fax: 01825 890499
john.cawt@hotmail.co.uk
www.edmcc.co.uk
T, t

0267 Erith & District M.C.C

Mr Gordon Davis, 5 Freta Road,
Bexleyheath, Kent, DA6 8NZ Tel: 020
8301 1365
T, t

0664 EPM Enduro Club

Miss Kirsty Johnson, 11 Mount
Pleasant Close, Lightwater, Surrey,
GU18 5TP Tel: 07717 134052
kirsty@epmenduro.co.uk
SCE

0711 Estuary Off Road M.C.C.

Mr David Every, 42 Cedar Drive,
Hullbridge, Essex, SS5 6JE Tel: 01702
231464 d.every60@btinternet.com
T, SCE

0268 Folkestone MCC

Mr Chris Osmond, 294 Dover Road, Folkestone, Kent, CT19 6NZ Tel: 01303 210073/07719 327359 seafarer@ntlworld.com www.fmcctrials.co.uk
T, E, Social

0269 Frittenden & District MCC Ltd.

Mrs Sandy Russell, 8 Gwyneth Grove, Bexhill-on-Sea, East Sussex, TN40 2SZ Tel: 01424 730943 sandy@fdmcc.co.uk
GT, gt

0270 GEST (MX) Hastings MCC Ltd.

Mrs Alison Bull, Khimera Farm, Alkham Valley Road, Folkestone, Kent CT18 7EH Tel: 07938 857176 gest_secretary@yahoo.co.uk www.gesthastingsmcc.co.uk
MX, mx, HH

0561 GEST (Trials) Hastings MCC

Mr P Chapman, 31 William Road, St Leonards-on-sea, East Sussex TN38 8DE Tel: 01424 426025 bones.chapman@yahoo.co.uk www.gest-club.co.uk
T, t

679 Goodwood Marshals Club Ltd.

Mr Richard Innins, 29 Cedar Grove, Copnor, Portsmouth, Hampshire, PO3 6HH Tel: 02392 736224 immins@hotmail.com goodwoodmarshalsclub.org.uk

0271 Grass Track Sidecar Association Ltd.

Mr David Fairhurst, Fairlands, 101 Sutherland Avenue, Biggin Hill, Kent, TN16 3HH Tel: 01959 575329 dandifairlands@talktalk.net
GT

0272 Gravesend Eagles MC & MCC Ltd.

Mr George Thompson, 35 Park Way, Coxheath, Maidstone, Kent, ME1 4HH Tel: 01622 744712
T

0273 Greenwich MC & MCC Ltd.

Mr Gordon Lane, 14 Ribblesdale Road, Dartford, Kent, DA2 6JH Tel: 01322 222197 saralane18@hotmail.com
Social

0274 Haslemere MCC

Mr John Sapsard, 13 Windsor Road, Lindford, Bordon, Hants, GU35 0RY Tel: 01420 473687 john.sapsard@btinternet.com www.willbrown.co.uk/has
T, t

0713 Hookwood Trials Club

Mr Jim Connor, Hookwood Manor, Fullers Farm Road, West Horsley, Surrey, KT24 6ET Tel: 01483 285727 elaineconnor@yahoo.com

0275 Horsham & DMCC

Mrs Myra Hayden, 1 Inglenook, Andrews Road, Southwater, Horsham, W Sussex, RH13 9EU Tel/Fax: 01403 732124/07775 743242 myra.hayden@fsmail.net
T, t

0646 Invicta Track Racing Club

Mr Mitchel Goddon, 6 Green Lane, Collier Street, Marden, Tonbridge, TN12 9RE Tel: 01892 730292 msgoddon@hotmail.com
GT, LT, ST, QGT

0276 Joyce Green Moto Cross Club Ltd

Mr Jackie Brown, 54 Holbrook Way, Bromley, Kent, BR2 8EE Tel/Fax: 020 8467 7516 j.g.motoxclub@ntlworld.com
MX, mx training

0277 Kent & Sussex MCC

Mr Jon Sturdey, 94c Shipbourne Road, Tonbridge, Kent, TN10 3EG. Tel: 01732 770701. sturdeys@tiscali.co.uk
T, t

0647 Kent Youth Grass Track Riders Association (KYGTRA)

Mrs Alison Milton, 11 Dawbourne Swain Road, St. Michaels, Tenterden, Kent, TN30 6PS Tel: 01580 765621 aliandmonty@btinternet.com
gt

0280 Kent Youth Trials Club Ltd.

Mrs Angela Kennett, 21 Elmwood Close, Swalecliffe, Kent, CT5 2QR Tel: 01227 791832 paul.angela.scott@btinternet.com www.kytc.co.uk
T, t

0281 Kingston & DMCC Ltd

Mr Ted Smith, 38 Arras Avenue,
Morden, Surrey, SM4 6DF Tel: 020
8648 5050 e.smith79@btinternet.com
www.kdmcc.com
T, t, SCE

0682 London Fire Brigade MCC

Mr Ben Young, 54 Meadowview Road,
Epsom, Surrey KT19 9UB Tel: 0208 224
3580 www.lfb-enduro.com
E, SCE, HH

0285 Maidstone Aces MCC

Mrs Katharine Hook, Willow
Cottage, Spenny Lane, Claygate,
Marden, Kent, TN12 9PR Tel: 01892
730709 Mob: 07931 306976
katharine@kjcmarketing.fsworld.co.uk
www.maidstone-aces.co.uk
GT

0286 Metropolitan Police Motor Club

Mr Stuart Brogan, 39 Sharfleet
Drive, Rochester, Kent, ME2
2TY sjbrogan@hotmail.co.uk
www.metpoliceclub.co.uk
T, SCE

0730 No Limits

Mr Andy Hogg, 46 Cuckoo Lane,
Singleton Farm, Ashford, Kent, TN23
5DB Tel: 07894 806788 hogg-a1@sky.com
www.nolimits.co.uk

0288 Normandy MCC

Mr Richard Thomas, 46 Rowtown,
Addlestone, Surrey, KT15
1HQ Tel/Fax: 01932 889311
rhwandjc.thomas@ntlworld.com
www.normandymcc.co.uk
T, t, SCE

0710 Oval Track Racing Association

Mr George Penfold, Ranagreg, Bell Farm
Lane, Minster, Isle of Sheppy, Kent, ME12
4JB. Tel: 07858 898624/01795 870287
gpracing@fsmail.net
GT

0289 OWLS Motor Club Ltd.

Mr Pete Cousins, Paines Farm,
Rowdow Lane, Otford, Sevenoaks,
Kent, TN15 6XN Tel: 01959 523822
peterjohncousins@gmail.com
www.owlsmotorclub.org.uk
T, t

0520 RAF Motor Sports Association

Mr Paul Hearn, c/o the Sergeants
Mess, RAF High Wycombe,
Walter's Ash, Buckinghamshire,
HP14 4UE paul.hearn824@mod.uk
www.raf.co.uk/rafmotorsports
SCE, HH

0291 Reigate Redhill & North Downs MCC

Mrs Carol Dark, 19 Woodfield Close,
Redhill, Surrey, RH1 2DL Tel: 01737
767007 cdark@ntlworld.com
www.rrnd.co.uk
T, t

0292 Rochester MC Ltd

Mr Ronald McCabe, 5 Old Loose
Close, Loose, Maidstone, Kent,
ME15 0BJ Tel: 01622 745714
rondmccabe@yahoo.com
Social

0294 Sidcup & DMCC Ltd.

Mrs Marge Clarke, 12 Sarsen Heights,
Walderslade, Chatham, Kent,
ME5 9HW Tel/Fax: 01634 201268
marge@mclarke45.freemove.co.uk
www.sidcupmotorcycleclub.co.uk
MX, T, t, LDT, SCE, HH Social

0295 Sittingbourne & DMCC Ltd

Mr Roy Piles, 5 The Bungalows,
Brogdale Road, Faversham, Kent,
ME13 8XY Tel: 01795 537162
roy.piles@mypostoffice.co.uk
T, t

0299 Southern Sporting MCC

Mr Russell Sommer, PO Box 560,
Staines, TW18 9ET Tel: 08432 895870
enquiries@ssmcc.co.uk www.ssmcc.co.uk
T

0577 Sporting Elite MCC

Mr Allan Barley, 18 Manor Way,
Mitcham, Surrey, CR4 1EE Tel: 020 8764
6664/07808 810140 barleyallan@aol.com
MX, Social

301 Sunbeam MCC Ltd

Mr Ian McGill, The Oaktree, 13 Victoria
Road, Horley, Surrey, RH6 9BN
Tel: 01293 771446 acsociable1@sky.com
www.sunbeam-mcc.co.uk
T, Social, Vintage

0302 Surrey Constabulary MCC

Mr James Stevenson, c/o Surrey Police
Headquarters, Mount Browne, Sandy Lane,
Guildford, Surrey GU3 1HG Tel: 01483
631533 3069@surrey.pnn.police.uk
www.scmcc.moonfruit.com
T, SCE

0303 Surrey Schoolboy Trials Club

Mr Barry Bannister, 51 Stanhope Road,
Slough, Berkshire, SL1 6JR Tel: 01628
667261 bannister51@btinternet.com
surreysb.co.uk
t

0305 Talmag MCC

Mr Ian Allaway, 43 The Street,
Wrecclesham, Farnham, Surrey,
GU10 4QS, Tel: 01252 716906.
ian@jamsport.co.uk
T

0306 Tenterden & DMC Ltd.

Mr Roy Francis The Cedars, 4 Haste Hill
Road, Broughton Monchelsea, Maidstone,
Kent, ME17 4LP
Tel: 01622 745393 sancos46@hotmail.com
www.tenterdenanddistrictmcc.co.uk
T, t

0307 Thames MCC

Mr Bob Brown, Keppel Gate, 79
Long Lane, Ickenham, Middlesex,
UB10 8QS Tel: 01895 638738
robertbrown222@hotmail.com
www.thamesmcc.org
T, t

0309 Tongham Tigers Sports MCC

Mr Brian Foster, 20 Robin Lane,
Sandhurst, Berkshire, GU47 9AU
Tel: 01344 772722 bfoster@iee.org.uk
www.tonghamtigers.co.uk
T, t

0311 Twickenham & DMC Ltd.

Mrs Liz Argent, 137-139 Hook Road,
Surbiton, Surrey, KT6 5AR Tel/Fax: 020
8397 4876 liz@motorritecompshop.co.uk
MX

0313 Wickham MCC

Mr Robert Bond, "Tanglewood"
Sunnydale, Farnborough Park, Orpington,
Kent, BR6 8LZ Tel: 01689 851624
Mob:07860 911987 Fax: 01689 880429
jmcpherson@rydon.co.uk
T, t

0315 Witley & DMCC

Mrs Michelle Cutler, 27 Gillian Close,
Aldershot, Hampshire, GU12 4HU
Tel: 07971 469881 mcutler@witleymcc.org
www.witleymcc.org
GT, T, t, LDT, SCE, HH

GROUPS

0316 East Kent Trials Combine

Mrs Maureen Buttle, 1 Throgall Farm
Cottages, Newington, Sittingbourne,
Kent, ME9 7SJ Tel: 01795 843506
T, t

0319 North Kent Trials Combine

Mr Stephen Westley, 4 Kembleside Road,
Biggin Hill, Kent, TN16 3NL Tel: 01959
575732 stephenwestley@ntlworld.com
www.nkctc.org.uk
T, t

0320 South Eastern Enduro Combine

Mr Alan Woods, 9 Whimbrel Green,
Aylesford, Kent ME20 6LH Tel: 07974
951709 alan.woods@yahoo.com
www.se-endurocombine.co.uk
SCE

0321 South Eastern Grass Track Combine

Mr Andy Wood, 30 Westways,
Edenbridge, Kent, TN8 6AA Tel: 01732
865380 anmar_uk@yahoo.co.uk
GT

0322 South Eastern Moto Cross Combine

Mrs Marge Clarke, 12 Sarsen Heights,
Walderslade, Chatham, Kent, ME5 9HW
Tel: 01634 201268 Fax: 01634 867134
marge@mclarke45.freeserve.co.uk
www.mxsoutheast.co.uk
MX

0323 South East Trials Combine

Mr Stephen Westley, 4 Kembleside Road,
Biggin Hill, Kent, TN16 3NL Tel: 01959
575732 stephenwestley@ntlworld.com
www.southeasttrialscombine.org.uk
T, t

0324 Star Group

Mr David Jordan, Bleakhouse, 72
Chart Lane, Reigate, Surrey, RH2 7EA
Tel: 01737 243639
T, t

0325 Thames Valley Trials Combine

Mr Richard Thomas, 46 Rowtown,
Addlestone, Surrey, KT15
1HQ Tel/Fax: 01932 889311
rhwandjc.thomas@ntlworld.com
www.thamesvalleytrials.co.uk
T, t

14 SOUTHERN CENTRE

Area Hampshire, Isle of Wight, Dorset, Channel Islands, that part of Wiltshire south of a line east/west through Trowbridge, that part of Berkshire situated south of the River Thames, that part of Oxfordshire south of the River Thames.

Secretary

Mr C. H. Fletcher, 1 Fairclose, Whitechurch,
Hampshire RG28 7AN. Tel/Fax: 01256 892436
chris-fletcher@tiscali.co.uk
www.southerncentreaeu.com

President

Mr T. D. Graves, 13 Locksley Avenue, Eastleigh,
Hampshire SO50 5DX. Tel: 02380 643503

Chairman

Mr R. Collins, 12 Winchester Road, Buckland,
Portsmouth, Hampshire PO2 7PT. Tel/
Fax: 02392 691803 roycollins82@btinternet.com

Treasurer

Mr Shane Babey, 19 Stanier Way, Hedge End,
Southampton, Hampshire SO30 2XE. Tel: 01489
782180 shane_babey@yahoo.com

Police Liaison Officer

Mr D. Kennard (DS 2693), Western Major
Incident Room, Western Div HQ, Hampshire
Constabulary, 12-18 Hulse Road, Southampton,
Hampshire SO15 2JX. Tel: 07919 044373

Rights of Way Officer

Mr M. Fisher, Northdown Orchard,
South Litchfield, Basingstoke, Hampshire
RG25 3BP. Tel: 01256 771168
mike@northdownorchard.co.uk

Grass Track Recorder

Mrs D. Read, 12 Heights Road, Upton,
Poole, Dorset BH16 5QL. Tel: 01202 778136
denise.read@wimbornemcc.co.uk

Motorcross Recorder

Mr J. Blackman, 36b Butts Road, Alton,
Hampshire GU34 1LW. Tel: 01420 88340

Trials Recorder

Mrs D. Earle, 8 Quebec Gardens, Bursledon
Green, Southampton, Hampshire SO31 8GP.
Tel: 02380 560031

Enduro Recorder

Mr M. Down, 18 Barcelona Close, Andover,
Hampshire SP10 1JQ. Tel/Fax: 01264 366425
setra.enduroclub@virgin.net

Permit Secretary

Miss C. Ballard, 26 Droxford Crescent, Tadley,
Hampshire RG26 3BA. Tel/Fax: 0118 981 2595
ballardclaire@hotmail.com

Environmental Officer

Mr N. Gentle, 14 Newmans Way, Bulford
Village, Salisbury, Wiltshire SP4 9HT.

Tel: 01980 632795
nigelgentle@hotmail.com

Benevolent Fund Officer

Mr S. Earle, 8 Quebec Gardens, Bursledon
Green, Southampton, Hampshire SO31 8GP.
Tel: 02380 560031

The Sporting Motorcyclist Editor

Mr J. Bramall, 16 Clifford Close, Fareham,
Hants PO15 6PJ Tel: 01329 823282
johnbramall246@btinternet.com

0326 Aldermaston Nomads MCC

Mrs Christine Dowse, 'Beggars
Roost', 79 Henwick Lane, Thatcham,
Berkshire RG13 3BX. Tel: 01635 865591
www.aldermastonnomads.co.uk
T, t

0327 Alton & District MC & CC

Mrs Kerry Henderson, 18 Lionsfield,
Oakhanger, Bordon, Hampshire GU35
9LA. Tel: 01420 474470 jaynkez@aol.com
www.willbrown.co.uk/alt
T, t

0329 Basingstoke MCC

Mr Peter White, 58 Long Barn Lane,
Reading, Berkshire RG2 7SX
MX, QMX, GT, QGT, T, t, RAL, Social

0330 Blackmore Vale MCC

Mr Dean Whitty, 17 Alcocks Crest,
Warminster, Wilts, BA12 8ND. Tel: 07518
810197
T, t

0331 Bridport & Weymouth MCC

Mr Ivan Rose, 14 Frome View, Maiden
Newton, Dorchester, Dorset. DT2 0BU.
Tel: 01300 320063
T, t

0350 British GP Supporters Club

Mr Michael Ing, 17 Highwood Lawn,
Havant, Hampshire PO9 4HL. Tel: 07800
810921 yamaha-mike@hotmail.co.uk
Social

0587 Classic & Vintage Motor Racing Club of Jersey Ltd

Mrs Julie Salmon, 'St Lucia', 11 Victoria
Court, Victoria Road, St Saviour, Jersey
JE2 7QB. Tel: 01534 767726 Fax: 01534
728861 julieesalmon@gogglemail.com
www.classicandvintagejersey.co.uk
S, HC

0505 CSMA Club

Mr Tim Ingram, c/o Club Activities
Dept, CSMA Club, Britannia House,
21 Station Street, Brighton BN1
4DE. Tel: 0845 3457444 Fax: 01273
744761 tim.ingram@csmaclub.co.uk
www.csmaclub.co.uk
RR, S, HC, MX, GT, LT, T, LDT, E, RAL

0328 Danebury Grasstrack Racing Club

Miss Karen Wells, 10 Wessex Gardens,
Andover, Hampshire SP10 3JD.
Tel: 07880 520338 daneburygrc@sky.com
www.daneburygrasstrack.co.uk
GT, gt, QGT

0545 Dorset Police MCC

Mr Craig Redmond, 13 Encombe Road,
Wareham, Dorset BH20 4PS. Tel: 07748
420128 craigredmond@hotmail.com
E, SCE, HH

0334 Eastleigh & DMC

Mrs Marilyn Slater, 7 Orchard Avenue,
Bishopstoke, Eastleigh, Hampshire
SO50 8HN. Tel: 02380 695325
marrolls@aol.com
MX

0336 Farnham & DMCC

Mr Alan Silvester, 'Redhearne', Old Kiln
Lane, Churt, Farnham, Surrey GU10 2HX.
Tel: 01428 714034 alanjenny@uko2.co.uk
www.willbrown.co.uk/has
T

0335 Fawley MCC

Mr Andrew Gates, Swallowdale,
Fernhill Lane, New Milton, Hampshire
BH25 5ST. Tel: 01425 616506
andy.gates@exxonmobil.com
T, t

0337 Gosport & DMCC

Mrs Tracie Billingham, 8 The
Meadows, Fareham, Hampshire
PO16 8UN. Tel: 01329 828193
tracie.billingham@googlemail.com
www.willbrown.co.uk/gos
T, t

0338 Guernsey Kart & Motor Club

Mrs Heather Robilliard,
"A'JAMAIS" 6 Hougues Magues
Lane, Cappelles, St Sampsons,
Guernsey GY2 4WA. Tel: 01481
247892 arobilliard@guernsey.net
www.gmccc.co.uk
SP, HC, MX, mx

0339 Guernsey Motor Cycle & Car Club

Mrs Margaret Rumens, 'Glensk', Sandy
Hook, St. Sampsons, Guernsey GY2 4ER.
Tel: 01481 246099 Fax: 01481 245593
megglen@cwgsy.net www.gmccc.co.uk
HC, GT, gt, SR, sr, T, t

0593 Hampshire Bike Trial Club

Mr Terry Graves, 13 Locksley Road,
Eastleigh, Hampshire SO50 5DX.
Tel: 02380 643503 www.hbtclub.co.uk
BT, bt

0340 Hampshire Police MCC

Mr Glynn Terrell, 91 Chatsworth Road,
Bitterne, Southampton, Hampshire
SO19 7NL. Tel: 02380 745622/02380
436988 glynn.terrell1@btinternet.com
www.hpmmc.org
SCE, HH, RAL

0341 Isle of Wight MCC Ltd

Ms. Charlotte Percy, Orchard View,
Solent Road, Cranmore, Yarmouth, Isle
of Wight PO41 0XY. Tel: 07754 118726
info@iowmcc.com www.iowmcc.com
MB, mb, T, t, AT, at

0342 Jersey MC & LCC

Mrs Carol Le Viellez, 'The
Chequered Flag', Les Charrieres
du Boulay, Trinity, Jersey JE3 5AS.
Tel: 01534 852952 Fax: 01534 855574
secretary@jerseymotorsport.com
www.jerseymotorsport.com
S, HC, MX, mx, GT, gt, SR, sr, T, t

0584 Langrish Motor Cycle Racing Club

Mr Chris Warren, 29 Longmead,
Liss, Nr Petersfield, Hampshire
GU33 7JX. Tel: 07809 443132
wgconsultants@hotmail.co.uk
www.langrishmx.com
MX, mx

0343 Lymington Motor Cycle & Light Car Club Ltd

Mr Geoffrey Price, 2 Havelock Way,
Christchurch, Dorset BH23 4PA. Tel: 01425
270418 lmlccltd36@yahoo.co.uk
www.lymingtonmotorcycle.co.uk
RAL, SRAL, Social

0638 Moonfleet Grasstrack Club

Mrs Sally Croft, 32a Holloway
Road, Fordington, Dorchester,
Dorset DT1 1LF. Tel: 01305 268367
moonfleetgtc@yahoo.co.uk
GT, gt

0346 Mortimer MCC Ltd

Mr Mark Boshier, 154 Westwood Road,
Tilehurst, Reading, Berkshire RG3 6LL.
Tel: 01189 426231 bosherdan@aol.com
MX, T

0347 North Berks. MCC

Mr John Lightfoot, 'Thimbles', Newmans
Close, Upton, Didcot, Oxon OX11 9JA.
Tel: 01235 850486 lthimbles@aol.com
www.northberksmcc.com
GT, T, t, AT

0348 Portsmouth Motor Cycle Racing Club Ltd

Mr Shane Babey, 19 Stanier Way, Hedge
End, Southampton SO30 2XE Tel: 01489
782180 pmcrconline@yahoo.com
www.pmcrc.org
HH

0462 RAF Odiham MCC

Mr Robert Ruffles, 8 Kersley Crescent,
Odiham, Hants, RG29 1OD Tel: 01256
701811 secretary@omcc.co.uk
www.omcc.co.uk
RAL

0352 Ringwood MC & LCC

Mrs Mary Hodgkinson, The Cedars,
68 Becton Lane, Barton on Sea,
Hampshire BH25 7AG. Tel: 01425
611388 maryhodg1@googlemail.com
www.rm-lcc.co.uk
T, t

0718 Rogershill Off Road Events

Mrs Danielle Hall, Rogershill
Farm, Briants Puddle, Dorchester,
Dorset DT2 7HJ Tel: 07813 105214
danielleimhall@yahoo.co.uk
www.rogershill.co.uk
E, HH

0353 Salisbury MC & LCC

Mr Christopher Orledge, 19 Heath
Road, Salisbury, Wiltshire SP2
9JS. Tel: 01722 414521 secretary@
salisburymotorcycleandlightcarclub.co.uk
www.salisburymotorcycleandlightcarclub.
co.uk
T, LDT, Social

0354 Southampton & District MCC

Mrs Edna Boden, 72 Greenhill Road,
Winchester, Hampshire SO22 5DX.
Tel: 01962 867782 brico@talktalk.net
www.sdmcc.net
T

0355 Southampton Vikings MCC

Mrs Anne Chandler, 84 Botley Road,
North Baddesley, Southampton,
Hampshire SO52 9DU. Tel: 07876 644423
Social

0356 Southern Centre Grass Track Riders Association

Mr Phil Spencer, 22 Hounslow Ave,
Totton, Southampton, Hampshire. S040
9EX. Tel: 02380 572419/07880 554291
phil@ptspencer.freeuk.com
GT, gt

0357 Southern Counties Enduro Club

Miss Josie Warr, PO Box 2956,
Dorchester, Dorset DT2 8YY. Tel/
Fax: 01929 463265 josie@enduro.org.uk
www.enduro.org.uk
E, HH, SCE

0358 Southern England Trail Riders Association

Mr Martin Down, 18 Barcelona
Close, Andover, Hampshire
SP10 1JQ. Tel: 01264 366425
setra.enduroclub@virgin.net
www.setra-enduro.co.uk
HH, SCE

0238 Southern Trials Club

Mr Gary Graham, 4 Woolmer
Villas, Greatham, Liss, Hampshire
GU33 6AY. Tel: 01420 538314
gary.graham247@tiscali.co.uk
T, t

0360 South Hants. Scramble Club

Miss Lisa Harris, 24 Tongham Road,
Aldershot, Hampshire. GU12 4AA.
Tel: 07519 784792 shsc@hotmail.co.uk
MX

0362 Tadley Sporting MCC

Mr Brice Haines, Two Oaks,
Summerlug, Mortimer, Reading,
Berkshire RG7 2JS. Tel: 01189 333145
aneandbrice@yahoo.com
T, Social

0345 Track n Trail Ltd

Mr Michael Grounds, PO Box 5677,
Wimborne, Dorset BH21 3ZT.
Tel: 01202 600675 mike@trackntrail.biz
www.trackntrail.biz
E, SCE, HH

0607 Vectis Isle Pioneers MCC

Mrs Christine Jacobs, 4 Spring Walk,
Newport, Isle of Wight PO30 5ND.
Tel: 01983 521730/07817 830557
vipmcc@hotmail.com www.vipmcc.org.uk
T, t

0364 Waltham Chase MCC

Mr Mike Wiseman, 50 Harrier
Green, Holbury, Southampton,
Hampshire SO45 2EY. Tel: 02380
899956 walthamchaseinfo@talktalk.net
www.walthamchasetrials.co.uk
T, t

0366 Waterlooville MCC

Ms. Joy Sang, 'The Cottage', Lower
Bordean, Petersfield, Hampshire
GU32 1ER. Tel: 01730 261991
joy.sang@tiscali.co.uk
MB, GT, T, E, RAL, Social

0367 Waterside MCC

Miss Jo Clark, 21 Gainsborough
Avenue, New Milton, Hampshire
BH25 5HT. Tel: 07787 533221
watersidejmcc@yahoo.co.uk
www.watersidejmcc.org.uk
T, t

0369 Wimborne MCC

Mr Christopher Maidment, 8 St.
John's Hill, Wimborne, Dorset
BH21 1DA. Tel: 01202 885103
chris.maidment@wimbournemcc.co.uk
www.wimbournemcc.co.uk
GT, gt

0370 Winchester MCC

Mr David Hamer, 'Laurel Cottage',
Shedfield, Southampton, Hampshire SO3
2JG. Tel: 07866 222210/01329 832290
davehamer@talk21.com
MX

0371 XHG Tiger MCC Ltd

Mr Clive Lane, 2 Greenfields Close,
Totton, Southampton, Hampshire
SO40 3NE. Tel: 02380 863434
clivemlane@hotmail.com
T, t, HH, SCE

15 SOUTH MIDLAND CENTRE

*Area Northamptonshire, that part of
Oxfordshire situated north of the River Thames,
Buckinghamshire, Bedfordshire, Cambridgeshire,
Hertfordshire, that part of Greater London
situated north of the River Thames and west of
the River Lea, that part of Berkshire situated
north of the River Thames.*

Secretary

Mr Terry Golds, 21, Buckingham Drive,
Luton, Beds. LU2 9RA Tel: 01582 455714
terrylgolds@ntlworld.com

President

Mr C. Moram, 'Garonne', Hay Lane,
Fulmer, Bucks SL3 6HJ. Tel: 01753 662306
garonne@btinternet.com

Chairman

Mr John Coles, 88 Wheatley Road, Garsington,
Oxon OX44 9DR. Tel: 01865 361735

Treasurer

Mrs J. Ayres, 22a Blackmile Lane, Grendon,
Northants NN71 1JR. Tel: 01933 664676
judith.ayres@tesco.net

Grass Track Recorder

Mr D. Porter, 96 Pembroke Avenue, Luton,
Beds LU4 9BJ Tel: 01582 651189 Mob: 07710
435127 david.porter31@btinternet.com

Motocross Recorder

Mrs J. Ayres, 22a Blackmile Lane, Grendon,
Northampton NN7 1JR. Tel: 01933 664676
judith.ayres@tesco.net

Trials Recorder

Mr B. Twigg, 2 Harewood Close, Welwyn
Gdn City, Herts AL8 7SN Tel: 01707 880244
bobtwigg@ntlworld.com

Competition/Permit Secretary

Mr Andy Martin, 81 Caldecote Street, Newport
Pagnell, Bucks MK16 0BZ. Tel: 01908 210406
andymartin@sky.com

Rights of Way Officer

Mr C. Hurworth, 23 Cambridge Crescent,
Totteridge, High Wycombe, Bucks HP13 7NE.
Tel: 01494 446198

Benevolent Fund Officer

Mr F. J. Henley, 33 Connaught Road,
Aylesbury, Bucks HP20 1PS. Tel: 01296 481539
frederick.henley@dsl.pipex.com

Mr D. Porter, 96 Pembroke Avenue, Luton,
Beds LU4 9BJ Tel: 01582 651189 Mob: 07710
435127 david.porter31@btinternet.com

0374 Barnet & DMCC

Mrs Hazel Johnson, Nene, 22 Cemmas
Meadow, Hemel Hempstead, Herts HP1
1HX. Tel: 01442 253945

T, t

0375 Berkhamsted MCC

Mr Terry Golds, 21 Buckingham
Drive, Luton, Beds LU2 9RA.
Tel: 01582 455714 Mob: 07747
855264 terrygold@ntlworld.com
www.berkhamstedmcc.co.uk

T, t

0376 Cambridge Centaur MCC

Mr Mark Clack, 5 Spurgeons
Avenue, Waterbeach, Cambridge
CB25 9NU. Tel/Fax: 01223 476601
centaur.mcc@ntlworld.com

Social

0378 Cambridge Matchless MCC

Mr Colin Nunn, 42 Old School Lane,
Milton, Cambridge CB24 6BS. Tel: 01223
860829 margaretnunn@btinternet.com
www.cambridgematchless.co.uk

T, t

0505 CSMA Club

Mr Tim Ingram, c/o Club Activities
Dept, CSMA Club, Britannia House,
21 Station Street, Brighton BN1
4DE. Tel: 0845 3457444 Fax: 01273
744761 tim.ingram@csmaclub.co.uk
www.csmaclub.co.uk
RR, S, HC, MX, GT, LT, T, LDT, E, RAL

0381 Dunstable & DMC

Mrs M. Martin, 33 Pondfield Crescent, St.
Albans, Herts AL4 9PE.

0382 Farnham Royal MC & LCC

Mr Cyril Strutton, 20 Alvista Avenue,
Taplow, Maidenhead, Berks SL6 0PG.
Tel: 01628 664244
RR, MX, BT, E, Social

0610 Fenland Grass Track Club

Mr Richard Hollingdale, 6 Aquila
Way, Langtoft, Peterborough
PE6 9NN Tel: 07793 491688
richard.hollingdale@sky.com
GT, gt

0384 Hayes & Southall MCC

Mr Colin Sweby, Sunyani, Send
Marsh Road, Ripley, Surrey GU23
6JQ. Tel: 01428 684836/01483
225423 Fax: 01428 685261
colin.sweby@alburyysi.co.uk
GT, T

0717 Heart of England Motorcycle Club

Mr Nick Griffin, 95A Sketchley Road,
Burbage, Leicestershire, LE10 2DX
Tel: 01455 458343 Mob: 07505 125698
n.griffin@talk21.com

0385 Hertfordshire Constabulary MC

Mr Andy Reynolds, Neighbourhood
Watch Liaison Officer Citizen
Focus Farnham House, Six Hills
Way, Stevenage, Herts SG1 2FQ
andy.reynolds@herts.pnn.police.uk
RR, T, RAL

0386 Hillingdon & Uxbridge MCC

Mr Mick Adams, 3 Kings Lane, South
Heath, Great Missenden, Bucks. HP16
0QZ. Tel: 07775468956 mick@hux.org.uk
T, t

0658 Kensworth Schoolboy Motocross Club

Dawn Bishopp, 26 Vandyke Road,
Leighton Buzzard LU7 3HH Tel: 07504
921502 www.ksmxc.co.uk

mx

0387 Kenton & Kingsbury MCC

Mr Dean Devereux, 20 Hall Avenue, Rushden, Northants, NN10 9ET. Tel: 01933 318992 dean.devereux@ntlworld.com www.kentonandkingsburymcc.moonfruit.com
T

0388 Luton & DMC Ltd

Mrs Leanne Kay, 21 The Croft, Flitwick, Beds, MK45 1DL. Tel: 07747444402 lutonanddistrictmcc@hotmail.com www.lutonanddistrictmcc.com
MX, T

0410 Meteor Group

Mr R. Twigg, 2 Harwood Close, Welwyn Garden City, Herts AL8 7SN. Tel: 01707 880244 bobtwigg@ntlworld.com
T, t

0723 Milton Malsor Moto Club

Mr J Parker, 4 Grange Court, Port Hill, Hereford, Herts SG14 3EL Tel: 07710 275950 smileyjim4@gmail.com

0391 Milton Buzzard MCC

Mr Andy Martin, 81 Caldecote Street, Newport Pagnell, Bucks MK16 0BZ. Tel: 01908 210406/07773 945796 andymartin@sky.com www.miltonbuzzard.co.uk
T, t

0393 Nene Valley MCC Ltd

Mr Roy Watson, 26 Cornwall Court, Eaton Socon, St. Neots, Cambs PE19 8PR. Tel: 01480 393481/07789 222121 roy.watson3@ntlworld.com www.nenevalleytrials.co.uk
T, t

0394 Northampton MCC Ltd

Mrs Marjorie Hemmings, 31 Rea Close, East Hunsbury, Northampton NN4 0RE. Tel: 01604 768812 marjoriehemmings@fsmail.net www.nmcc.co.uk
MX, E, HH

0396 North East London MCC

Mr Roy Phypers, 51 Woodland Road, Hertford Heath, Herts SG13 7QW. Tel: 01992 582408
T, t

0397 Oxford Ixion MCC Ltd

Mr Geoff Goddard, Pheasant's Oak, Beggar's Bush Hill, Benson, Oxon OX10 6PL. Tel: 07747 606673/01491 826485 geoffgoddard@btconnect.com
MX, BC, SC, AC, QMX, GT, T, LDT, AT, E

0399 Peterborough Junior MX Club

Mr John Harding, 8 Muriel Close, Papworth Everard, Cambridge CB23 3UJ. Tel: 01480 830079/07742 511993 johnharding@msm.com
mx

0650 RAF Benson Motorcycle Club

Mr Peter Elsmore, 33 Sqn AvTM, RAF Benson, Wallingford, Oxon OX10 6AA. PasfAvSnco@benson.raf.mod.uk

0400 Rushden Query MCC

Mr J Parker, 4 Grange Court, Port Hill, Hereford, Herts SG14 3EL Tel: 07710 275950 smileyjim4@gmail.com
RR, MX

0402 South Harrow & DMCC

Mr Stephen Ayres, 90 Hercies Road, Uxbridge, Middlesex UB10 9ND. Tel: 01895 230953 steveayres@hotmail.com
T, MB

0403 South Reading MCC

Mr Barry Foster, Tel: 01189 403066 webmaster@srmcc.co.uk
T, HH

0405 Stevenage & DMCC

Mr Mick Taylor, 17 North Road, Stevenage, Herts SG1 4BD. Tel: 07773 432738/01438 354130 Fax: 01438 354130 www.stevenagemotorcycleclub.org
S, Social

0733 Stowe School MCC

Gwilym Jones, Buckingham MK18 5EH Tel: 01280 818000

0726 Three Shires Trials Club

Mrs Sherrie Kenyon-Bell, 7 Primrose Walk, Woodford Halse, Daventry, Northants, NN11 3HT Tel: 07923 432704 threeshirestrials@hotmail.co.uk
T, t

0407 West Middlesex Amateur MCC

Mr Chris Mawer, The Cedars, Little Billington, Leighton Buzzard, Beds LU7 9BS. Tel: 07710 211913 Fax: 01525 854246 christopher.mawer@tiscali.co.uk

T

0409 Wycombe & District MCC Ltd

Mr John Eckhart, Little Bridges, Gossmore Lane, Marlow, Bucks SL7 1QF Tel: 01628 473509 eckhart@btinternet.com

T, t

GROUPS**0410 Meteor Group**

Mr R. Twigg, 2 Harwood Close, Welwyn Garden City, Herts AL8 7SN. Tel: 01707 880244 bobtwigg@ntlworld.com

T, t

16 SOUTH WESTERN CENTRE

Area Devon, that part of Somerset situated south of the line made up from map reference ST29350, eastwards to ST360520, southwards to ST360470, eastwards to ST48041, southwards to ST480380, eastwards to ST880350 (the Somerset/Wiltshire County boundary).

President

Mrs G. Edwards, Courtfield, Ashill, Cullompton, Devon EX15 3NH Tel: 01884 840078

Chairman

Mr A. Rew, Wolborough Barton, Newton Abbott, Devon TQ12 1EJ Tel: 07734 830021 wolborough@btconnect.com

Secretary

Miss K. Coffin, Clennon Brake, Blagdon Road, Paignton, Devon TQ3 3YB Tel: 07835 451277 kailee@westofenglandmc.co.uk

Treasurer

Mr W. H. Hartnell, 40 Rydon Crescent, Cannington, Bridgewater, Somerset TA5 2JT. Tel: 01278 653032

President & Motocross contact

Mrs G. Edwards, Courtfield, Ashill, Cullompton, Devon EX15 3NH. Tel: 01884 840078

Permit Secretary & Police Liaison Officer

Mr V. J. Ashford, 1 Cleaveland Rise, Oggwell, Newton Abbot, Devon TQ12 6FF. Tel: 01626 332891 vic.ashford@virgin.net

Grass Track Recorder

Mr C. Pattison, 6 Churchfields, Wincanton, Somerset BA9 9AJ. Tel: 01963 33001 charlie.pattison@hotmail.co.uk

Motocross Recorder

Mrs G. Edwards, Courtfield, Ashill, Cullompton, Devon EX15 3NH. Tel/Fax: 01884 840078

Trials Recorder

Mr K. Bushin

Publication Editor

Mr A. Bramwell, 5 Ashlands Meadow, Broadshard, Crewkerne, Somerset TA18 7NN. Tel: 01460 271228 andy.bramwell@hotmail.co.uk

Benevolent Fund Officer

Mr S. Pattison, 6 Churchfields, Wincanton, Somerset BA9 9AJ. Tel: 01963 33001

0411 Bridgwater & District Motor Club Ltd

Mr Christopher Carter, 37 Bristol Road, Bridgwater, Somerset TA6 4AU. Tel: 07768 536930 ccarter7@sky.com GT, gt

0412 Broadhembury Motor Club

Mrs Greta Edwards, Courtfield, Ashill, Cullompton, Devon EX15 3NH. Tel: 01884 840078 greta.premier@tiscali.co.uk MX, T, t

0671 Chard MotoX Club

Mr Nick Rivers, 18 Highgrove Close, Bridgwater, Somerset TA6 6UF. Tel: 07515 596258 Tel/Fax: 01278 429831 chardmx@googlemail.com www.swor.co.uk

0505 CSMA Club

Mr Tim Ingram, c/o Club Activities Dept, CSMA Club, Britannia House, 21 Station Street, Brighton BN1 4DE. Tel: 0845 3457444 Fax: 01273 744761 tim.ingram@csmaclub.co.uk www.csmaclub.co.uk RR, S, HC, MX, GT, LT, T, LDT, E, RAL

0674 Dartmoor MCC

Mrs Debbie Hooper, 24 Southfield Avenue, Paignton, Devon TQ3 1LH. Tel/Fax: 01803 522019 debbiehpr@aol.com

0415 Exmoor MC Ltd

Mr Melvin Sully, 5 Chestnut Way,
Alcombe, Minehead, Somerset
TA24 6EB. Tel: 01643 821896/01643
707252 Fax: 01643 821140
masully55@yahoo.co.uk
T, t, LDT, E, HH

0549 Landrake Moto Club

Mr Philip Congdon, New Barton, West
Lane, Landrake, Saltash, Cornwall PL12
5EP. Tel: 01752 851504/07970 099970
www.landrakemotoparc.com
MX

0546 Launcherley Leisure Park Ltd

Mr Bryan Withers, 8 Misburg Close,
Shepton Mallet, Somerset BA4 5GB.
Tel: 01749 812444
MX, mx

0144 Little Silver MX Club

Mrs Melanie Martin, 7 Broadway
Road, Kingsteignton, Newton Abbot,
Devon TQ12 3EH. Tel: 01626 365335
littlesilveroffroadpromotions@btinternet.
com
MX, mx, QMX, qmx, E

0417 Lyn & DMC

Mrs Heidi Baker, Ridgeview,
Scoresdown, Lynton, North Devon
EX35 6LJ, Tel: 01598 752640
heidi.signs@btinternet.com
T, t

0418 Minehead Motor Club Ltd

Mr R. Williams, 5 King Edward Road,
Minehead, Somerset.
LDT

0419 Moretonhampstead & DMC

Mr Roger Barnes, 22 Chestnut Drive,
Kingsteignton, Newton Abbott,
Devon TQ12 3SZ Tel: 07760 762359
harmony.windows@hotmail.com
www.moretontrials.co.uk
T, t

0516 National Hill Climb Association Ltd

Mr Peter Isaac, 205a Berrow Road,
Burnham on Sea, Somerset TA8 2JG.
Tel: 01278 786377 pgisaac@tiscali.co.uk
www.nhca.co.uk
HC, hc

0421 North Devon Motor Club

Mr John Barthram, 3 Willow
Tree Road, Rumsam, Barnstaple,
Devon EX32 9ET. Tel: 01271
376341 jbarthram@ukonline.co.uk
www.ndmc.org.uk
LDT

0422 Otter Vale Motorcycle Club

Mr Colin Somers, 4 Moorland Road,
Bournemouth, Dorset BH1 3ST.
Tel: 01202 396628/01202 294621
T, t

0673 Plymouth & East Cornwall MXC

Mr Martin Cox, 74 Foliot Road Flats,
North Prospect, Plymouth PL2 2LP.
Tel: 01752 217984/07841 358396

0608 Sideways South West MCC

Mrs H. McAuley, 13 Denbury Road,
Ogwell, Newton Abbot, Devon TQ12
6AD
GT

0649 Somerset Advanced Motorcyclists

Mr Peter Herridge, 5 St James's Park,
Yeovil, Somerset BA20 2EX. Tel: 07866
723128/01935 477498 Fax: 08712 472083
peterherridge@netscape.net www.
somersestadvancedmotorcyclists.org.uk
RAL

0423 Somerton & DMC & LCC

Miss Emily Boulton, 5 Moor Lane,
Wincanton, Somerset BA9 9EJ Tel: 01963
34833 emilyboulton495@btinternet.com
GT, gt, T, t

0672 South Hams MCC

Mrs Julie Rundle, 19 Pomphlett Close,
Plymstock, Plymouth PL9 7QT.
Tel: 07877 739714 Fax: 01752 401441
moto_mum@hotmail.co.uk

0424 South West Classic Trials Association

Mr William Hartnell, Carteret, 40 Rydon
Crescent, Cannington, Bridgwater,
Somerset TA5 2JT. Tel: 01278 653032
T

0676 South West Devon MCC

Miss Judi Vallance, Hartford Farm,
Liverton, Newton Abbot, Devon TQ12
6JF. Tel: 07971 486913 Fax: 01626 821527
judivallance@btconnect.com

0425 South Western Grass Track Association (SWEGA)

Mr John Pearn, Brooklyn Cottage,
Bullen Street, Thorverton, Devon, Nr
Exeter EX5 5NG Tel: 01392 860105
john.pearn29@btinternet.com
GT, gt

0416 South West Quad & MX Club

Mr Andrew Gould, PO Box 3224, Wells,
Somerset BA5 3XA. Tel/Fax: 01749
679945 ango@madasafish.com
QMX, qmx, QGT, HH

0426 Taunton MCC Ltd

Mr William Hartnell, Carteret, 40 Rydon
Crescent, Cannington, Bridgwater,
Somerset TA5 2JT. Tel: 01278 653032
taunton_mcc@yahoo.co.uk
T, t, LDT, HH

0675 Teignbridge MotoX Club

Mrs Patricia Chambers, 3 Berry Close,
Exmouth, Devon. EX8 2PT. Tel: 01395
225708 pat_tmcc@hotmail.com
www.swor.co.uk

0427 Tiverton Motor Club

Mr George Atkins, 12 Suter Drive,
Tiverton, Devon EX16 6FH. Tel: 07894
350200 georgepa@supanet.com
T, t

0428 Torridge & DMC Ltd

Mrs Elizabeth Meredith, 20 Verona
Court, Yeo Vale Road, Barnstaple
EX32 7EN. Tel: 01271 324357
liz.meredith1@btinternet.com
www.torridge-districtmcc.co.uk
MX, T, E, HH

0586 West Country Sidecar Association

Mr Andy Cheeseman, 30 Mincinglake
Road, Stoke Hill, Exeter, Devon EX4 7DZ.
Tel: 01626 366084/01392 216624
T

0430 West Devon Motorcycle Club

Ms. Di Thompson, Sunnycote, Mary Tavy,
Tavistock, Devon PL19 9QB. Tel: 01822
810336 di@rentafford.fsnet.co.uk
www.westdevonmx.co.uk
MX, mx

0429 West of England Motor Club

Mr Andy Cheeseman, 30 Mincinglake
Road, Stoke Hill, Exeter, Devon EX4
7DZ. Tel: 01626 366084/01392 216624
www.westofenglandmc.co.uk
MX, T, LDT, BT, bt, E, HH

0451 Wyvern Moto Club

Mr Adrian Croft, 32a Holloway Road,
Fordington, Dorchester, Dorset DT1
1LF. Tel: 01305 268367/07817 019141
sally.adrian@bushinternet.com
GT, gt

0431 Yeo Vale MCC Ltd

Mr Claude Butler, 233 Mudford Road,
Yeovil, Somerset BA21 4NR. Tel: 01935
479861 www.yeovalemcc.co.uk
T, t

17 WESSEX CENTRE

Area *The part of Somerset situated north of a line from map reference ST293520, eastwards to ST360520, southwards to ST360470, eastwards to ST480470, southwards to ST480380, eastwards to ST770380 (The Somerset/Wiltshire county boundaries) that part of Wiltshire situated north of a line east/west through Trowbridge, part of Gloucestershire situated south of a line east/west through Dursley.*

Secretary

Mrs T. Talbot, Manet, 5 Chestnut Road, Sutton
Benger, Chippenham SN15 4RP. Tel: 01249
720342 talbot.family1@btopenworld.com
www.wessex-centre-acu.org.uk

Chairman

Mr K. Wooster, 59 Oxford Road, Stratton,
Swindon, Wilts SN3 4JB. Tel: 01793
825638/07736 010064 keith@wooster.me.uk

Police Liaison Officer/Permit Secretary

Mr M. Fear, Green Tree Lodge, 12 Green Tree
Road, Midsomer Norton, Bath BA3 2UU.
Tel: 01761 418492

Enduro Recorder

Mr P. Hearn, 40 Curlw Drive, Chippenham
SN14 6YQ. Tel: 07976 516196

Grass Track Recorder

Mr R. Melksham, 6 Staple Grove Crescent, St
George, Bristol BS5 8QW. Tel: 01179 095479

Motocross Recorder

Mr J. Webb, 2 Broomclose Farm Cottages,
Longbridge Derevill, Warminster,
Wiltshire BA12 7DD. Tel: 01985 840257
jameswebb@mypostoffice.co.uk

Time Trial Recorder

Mr T. Colman, 23 Chestnut Road, Long Ashton,
Bristol BS41 9HR. Tel: 01275 392102

Trials Recorder

Mr P. Dury, 10 Ullswater Close, Yate, Bristol
BS37 5SS.

Gazette Editor

Mr F. Sweeting, 185 Great Ashley, Bradford
on Avon, Bath BA15 2PP. Tel: 01225 862506
frank@sweet-sites.co.uk

Benevolent Fund Officer

Mr M. Bracey, 3 Burden Close, Bradley Stoke,
Bristol BS32 8BL. Tel: 01179 236867

0432 Bath & West of England Motor Club

Mr Brian Allen, 1 Marsh Road, Rode,
Frome, Somerset BA11 6PE. Tel: 01373
830084

T

0433 Bristol Grass Racing Combine

Ms. Mary Derrick, 164 Ellicks
Close, Bradley Stoke, Bristol
BS32 0EU. Tel: 01454 850530
maryderrick@tiscali.co.uk

GT

0533 Bristol MCC

Mr Philip Steadman, Henfield
Farm, The Hollows, Coalpit Heath,
Bristol BS36 2UU. Tel: 01179 570997
p.c.m.steadman@homecall.co.uk

MX, HH, SCE

0434 Bristol Phoenix MCC

Mr Gary Scrivens, 21 Ellacombe Road,
Longwell Green, Bristol BS30 6BQ.
Tel: 01179 322612

T

**0435 British Sporting Sidecar Association
(Wessex)**

Mr Stuart Sinclair, 35 Stanbury Avenue,
Fishponds, Bristol BS16 5AL. Tel: 01179
571586

T

0505 CSMA Club

Mr Tim Ingram, c/o Club Activities
Dept. CSMA Club, Britannia House,
21 Station Street, Brighton BN1
4DE. Tel: 0845 3457444 Fax: 01273
744761 tim.ingram@csmclub.co.uk
www.csmclub.co.uk
RR, S, HC, MX, GT, LT, T, LDT, E, RAL

0436 Frome & District MCC

Mr James Webb, 2 Broom Close,
Farm Cottage, Longbridge
Derevill, Warminster, Wiltshire
BA12 7DD. Tel: 01985 840257
jameswebb@mypostoffice.co.uk
MX, T, t

0437 Kingswood MCC Ltd

Mr Richard Taylor, 60 Vayre Close,
Chipping Sodbury, South Gloucester
BS37 6NU. Tel: 01454 325485/07770
834637 richard.taylor@isgpearce.com
www.kingswoodmcc.co.uk

T, t, HH

0438 Mendip Vale MC & LCC

Mrs Pat Richardson, 18 Staples Close,
Clevedon, North Somerset BS21 5BN. Tel/
Fax: 01275 878083

T

0439 North Somerset MSC

Mr Tony Colman, 23 Chestnut
Road, Long Ashton, Bristol
BS41 9HR. Tel: 01275 392102
tonycolman23@yahoo.co.uk

T

0669 Southern Twinshock Sports Club

Mrs Barbara Steadman, Henfield Farm,
The Hollows, Coalpit Heath, Bristol BS36
2UU. Tel: 07732 949557/01179 570997
rcm.steadman@homecall.co.uk

MX, T, HH

0440 Swindon & District MCC

Mr Gary Wooster, Manor View, Thornhill
Road, South Marston, Swindon, Wiltshire
SN3 4RY. Tel: 01793 823069/01793
823802 gary.wooster@sky.com
www.sdmcc.org.uk

E, T, LDT

0441 Swindon Adult Grasstrack Club Ltd
Mrs Janet Abbott, 2 Bailiffs Piece,
Cricklade, Wiltshire SN6 6NE. Tel: 07761
435896 janet.pj@dsl.pipex.com
www.swindongrasstrackclub.co.uk
GT

0442 Swindon Youth Grasstrack Club
Mrs Ann Ritchings, 26 Reids Piece,
Purton, Swindon, Wiltshire SN5 4AX.
Tel: 01793 772470
gt

0444 Wells & District
Mr Steven Thorne, 4 Acacia Avenue,
Weston Super Mare BS23 3LE.
Tel: 07775 802273/01934 419127
thorne500@googlemail.com
T, t

0445 West Wilts MCC Ltd
Mrs Kay Gerken, 20 Gibbs Leaze,
Hilperton, Trowbridge, Wiltshire
BA14 7QN. Tel: 01225 752784
kay@wwmc.co.uk www.wwmc.co.uk
T, HH

0447 Wilts. Border MC & LCC
Mrs Theresa Talbot, 'Mannett', 5 Chestnut
Road, Sutton Benger, Chippenham,
Wiltshire SN15 4RP. Tel: 01249 720342
talbot.family1@btopenworld.com
T, t

18 WESTERN CENTRE

Area Those parts of Hereford and Worcester and Gloucestershire situated south of a line from Brimfield through Worcester, Evesham and Moreton-in-Marsh to the junction of the Oxfordshire and Warwickshire boundaries and north of a line east/west through Dursley.

Secretary

Miss J. Jones, Woodlands, Kempley
Green, Dymock Gloucester, GL18
2BW Tel: 01531 890691/07775 524805
jennie.jones2@tiscali.co.uk

Chairman

Mr A. Noel, 9 Finchcroft Lane, Prestbury,
Cheltenham, Gloucester GL52 5BD. Tel: 01242
244553 noel@noverton.freereserve.co.uk

Treasurer

Mr T. Welch, Laburnam Cottage, Bailey
Lane End, Ross on Wye. Tel: 01989 750298
tomlin.welch@virgin.net

Permit Secretary/Police Liaison Officer
Mr R. Savery, 75 Bramley Road, Tewkesbury,
Gloucester GL20 8AQ. Tel: 01684 294932

Rights of Way Officer

Mr A. J. Falconer, 2 White House Cottage,
Lower Farm, Tibberton, Gloucester GL19 3AQ.
Tel: 01452 790577

Trials Recorder

Mr M. Welch, 20 Vauxhall, Newent, Gloucester
GL18 1QP Tel: 07977 154826

Grass Track Recorder

Mr T Vivian, The Cottage, Blakes Lane,
Guarford, Malvern, Worcs. WR13 6NZ.
Tel: 01684 311582 vivians@themail.co.uk

Benevolent Fund Officer

Mr T. Hunt, Daren View, Bishopstone,
Hereford HR4 7JE. Tel: 01981 590325

Website Editor

Mr B Falconer
editor@acuwesterncentre.org.uk

0449 Cheltenham Home Guard MCC

Mr Anthony Falconer, 2 White House
Cottages, Lower Farm, Tibberton,
Gloucester GL19 3AQ. Tel: 01452 790577
anthony@falconer1.plus.com
T, LDT

0450 Cotswold 90 Trials Club

Mr Martyn Goodall, 49 Church Road,
St Marks, Cheltenham, Gloucester
GL51 7AW. Tel: 01242 526239
m_goodall@sky.com
T

0505 CSMA Club

Mr Tim Ingram, c/o Club Activities
Dept, CSMA Club, Britannia House,
21 Station Street, Brighton BN1
4DE. Tel: 0845 3457444 Fax: 01273
744761 tim.ingram@csmaclub.co.uk
www.csmaclub.co.uk
RR, S, HC, MX, GT, LT, T, LDT, E, RAL

0452 Dursley MC & LCC

Mr Steven Allen, 19 Rowley, Cam,
Dursley, Gloucester GL11 5NT. Tel: 01453
890308
T

0670 Forest of Dean Adult Grass Track Club

Mr Ron Phillips, 46 Summerleaze
Road, Lyndney, Gloucester
GL15 5QD Tel: 01594 841291
feetupphillips@tiscali.co.uk
GT, gt

0453 Gloucester & Cotswold MC

Mrs Susan Christopher, 21 Woodside
Avenue, Cinderford, Gloucester
GL14 2DS. Tel: 01594 825804
robinfrst@aol.com
T, t

0454 Golden Valley MCC

Miss Julie Short, 51 Nursery Drive,
Brimcombe, Stroud, Gloucester
GL5 2RL. Tel: 07961 012161
julieshort@tiscali.co.uk
T, LDT

0455 Ledbury MC & LCC

Mrs Sally Palmer, 151 Hoarwithy
Road, Hereford HR2 6HE
Tel: 01432 342642/07968 649327
sallypalmer226@aol.com
GT, QGT, T

0720 Lydney Motor Cycle Club

Mr Jim Simpson, 36 Grove Road, Lydney,
Gloucester. GL15 5JG Tel: 07747 048876
j.simpson@sihns4y.co.uk

0456 Malvern & DMC & LCC

Mr Warwick Farrer, 26 Church
Road, Malvern, Worcester
WR14 1LT. Tel: 01684 569616
info@malvernmotorcycleclub.co.uk
www.malvernmotorcycleclub.co.uk
GT, T, t

0458 Stroud Valley MC

Mr Nigel Tomkins, Town House,
The Street, Kingscourt, Stroud,
Gloucester GL5 5DN Tel: 01453 873463
nigel.tomkins1@btinternet.com
T

0459 West Gloucester & Dean Forest MCC

Mr Matthew Neale, 1 Knockley
Cottages, Park End Road, Bream,
Nr. Lydney, Gloucester GL15
6JR. secretary@wgdfmcc.org.uk
www.wgdfmcc.org.uk
T, LDT, E, SCE, HH

0460 Wye Valley AC

Mr Trevor Hunt, Daren View,
Bishopstone, Hereford HR4 7JE.
Tel: 01981 590325
T, t

0619 Zona One MCC

Mrs Kathleen Workman, The Cider
House, The Green, Sheepscombe, Stroud,
Gloucester GL6 7RG. Tel/Fax: 01452
813703 kathworkman@btinternet.com
T, t

19 WEST SOUTH WALES CENTRE

Area *West Glamorgan, those parts of South Glamorgan and of the Brecknock district of Powys, situated west of a line from Porthcawl through Aberdare to Builth Wells, that part of Dyfed situated south of a line from Aberystwyth to Builth Wells.*

Secretary

Mr Bryan Puckett, 32 Heol Derwen,
Cimla, Neath SA11 3YS. Tel: 01639 767851
bryan.puckett@btinternet.com
www.welshtrials.com

President

Mr Keith Washer, School Road, Dyffryn,
Cellyen, Banwen, SA10 9LB Tel: 01639 700960
keithwasher619@btinternet.com

Chairman

Mr James Lamin, 3 Hyacinth Drive, Brackla,
Bridgend CF31 2JX. Tel: 01656 650618
jameslamin@btinternet.com

Treasurer

Mr Graham Heywood, 81 Alexander Road,
Gorseinon, Swansea SA4 4NU. Tel: 01792
893457 graham.heywood@talk21.com

Benevolent Fund Officer

Mr Tony Brinsden, Norton Lodge, Llanteg,
Narberth, Pembrokeshire SA67 8PS. Tel: 01834
831775 brinsden-2@supanet.com

0461 Amman Valley MC

Mr Colin Davies, 14 Heol Gelynen,
Brynamman, Ammanford,
Carmarthenshire SA18 1SA. Tel: 01269
823501 amman-valley@ukbikers.net
T

0505 CSMA Club

Mr Tim Ingram, c/o Club Activities
Dept, CSMA Club, Britannia House,
21 Station Street, Brighton BN1
4DE. Tel: 0845 3457444 Fax: 01273
744761 tim.ingram@csmclub.co.uk
www.csmclub.co.uk
RR, S, HC, MX, GT, LT, T, LDT, E, RAL

0463 Dulais Valley MC

Mr Stephen James, 11 Linden Close,
Brynoch, Neath SA10 7UW. Tel: 01639
633932 stephen@james806.orangehome.
co.uk
T

0531 Dyfed Dirt Bike Club

Mr Myles Rosser, Gwel Cwn Teifi,
Bryn Teg, Llanwenog, Lampster,
Ceredigion, SA40 9UX Tel: 01570 480136
myles106@btinternet.com
E, HH, T

0464 Motorcyclists & Competitors Association

Mr Nick Davies. 44 Felinfoel
Road, Felinfoel, Llanelli, Carmar.
SA15 3JG. Fax/Tel: 01554 752479
n-davies10@sky.com
RR

0465 Neath MC

Mr Ben Paterson, 91 Bwlch Road, Cimla,
Neath SA11 3RR Tel: 07842 574271
neathmotorclub@hotmail.co.uk
T

0467 Port Talbot Motor Cycle Racing Club Ltd

Mr Keith Walters, 24 Heol Penlan,
Longford, Neath Abbey, Neath, West
Glamorgan SA10 7LB. Tel: 01792 423835
keithewalters@btconnect.com
RR, S, HC

0657 Trials Project 2000

Mrs Nicola Washer, 148 Brecon
Road, Ystradgynlais, Swansea
SA9 1QN. Tel: 01639 844315
stephenwasher@sky.com

0469 Vale of Towy MCC

Mr Gareth Harris, Ysgubor,
Llwydcoed Isaf, Penyban, Llandeilo,
Carmar, SA19 7LS Tel: 01558 823648
betaevo290@yahoo.co.uk
T, HH, E

20 YORKSHIRE CENTRE

Area That part of the Teesdale District of Durham situated south of the River Tees, that part of North Yorkshire situated west of the railway line from Yarm to Northallerton to the boundary of York (excluding York) and the west of the main York-Barlby-Howden Road to the Humberside boundary; West Yorkshire and South Yorkshire.

Secretary

Mrs S. Smith, 39 Lodge Gate, Denholme,
Bradford BD13 4BB. Tel: 01274
834184 Fax: 01274 833806
sue.ykcentre@blueyonder.co.uk
www.yorkshirecentreacu.co.uk

President

Mr J Ford, Howden Clough Ind Est, Leeds Rd,
Leeds Road, Birstall, West Yorkshire WF17 0JB,
Tel: 01924 470432

Chairman

Mr D. Loney, 28 Bramley Lane, Lightcliffe,
Halifax, West Yorkshire HX3 8SR. Tel: 01422
206828

Treasurer/Permit Officer/Police Liaison Officer

Mr G. E. Wilson, 160 Green Lane, Cookridge,
Leeds LS16 7JQ.

Benevolent Fund Officer

Mrs M Carter JP, Hunters Gap, Thorpe Lane,
Guiseley, Leeds. LS20 8JH. Tel: 01943 878666

Enduro Recorder

Mr J. Wright, 24 Ure Bank Top, Ripon HG4
1JD. jim.neec@hotmail.com

Trials Recorder

Mr M. Timms, 131 Standon Crescent,
Winconbank S9 1PN Tel: 01142 497027

Training Officer

Mrs P. Stephenson, 2 Dymond Road,
Liversedge, West Yorkshire WF15 7EA.
Tel: 01924 403075

0471 Bainbridge & DMC

Mr Andy Kearton, Low Cams House,
Askrigg, Leyburn, North Yorkshire DL8
3JJ. Tel: 01969 650717
BT, bt

0557 Barnsley Trials Club Adult & Youth Ltd

Mr Chris Burgin, 19 Wentworth Road,
Penistone, Sheffield S36 6ET. Tel: 01226
761632 chrisburg1561@hotmail.com
www.barnsleytrialsclub.co.uk

t

0472 Batley MC & CC Ltd

Mr Leslie Jennings, 10 Grasmere Road,
Dewsbury, West Yorkshire WF12 7PU.
Tel: 01924 466937

0554 Birstall Urban Motorcycle Project for Youths Ltd

Ms. Carolyn Kenzitt, Howden Clough Industrial Estate, Leeds Road, Birstall WF17 0JB. Tel: 01924 470432/01924 474658 carol.kenzitt@btconnect.com www.bumpy.org.uk

T, t

0473 Bradford & DMC Ltd

Mr Phil Crosby, 14 Leyland Close, Trawden, Lincs, BB8 8TB, Tel: 01282 869573 prcrosby@btinternet.com www.bradfordtrials.co.uk

T, t

0203 BUMPY Ltd

Ms. Carolyn Kenzitt, Howden Clough Ind Est, Leeds Road, Birstall, West Yorkshire WF17 0JB. Tel: 01924 470432 Fax: 01924 420763 carol.kenzitt@btconnect.com www.bumpy.org.uk

T, LDT

0478 Hillsborough MCC

Mr Russell Hague, 2 Spout Spinney, Stannington. Sheffield. S6 6EQ
Tel: 0114 2312032/0114 2330933
(Office Hours) Fax: 01142 855105
www.hillsboroughmcc.co.uk

T, t

0479 Horsforth & DMC Ltd

Mr Barrie Fairburn, 24 Regent Avenue, Horsforth, Leeds LS18 4NJ. Tel: 01132 587569 martin.fairburn@yahoo.com www.horsforthtrials.co.uk

T, t

0480 Huddersfield Falcon MCC

Mr Michael Washington, The Beeches, 2 Leak Hall Road, Denby Dale, Huddersfield, West Yorkshire HD8 8NJ. Tel: 01484 683670/01484 865562/07976 226084 Fax: 01484 688474 michael.washington2@btinternet.com www.falconmcc.co.uk

T, t, bt

0481 Ilkley & DMC Ltd

Mr Neil Raven, 8 North Terrace, Yeadon, Leeds LS19 7JR nraven69@yahoo.co.uk www.ilkleymotorclub.org.uk

T, t

0482 North Riding Enduro Club

Ms. Adele Willis, NREC, PO Box 638, Elsecar, Barnsley, South Yorkshire S73 3BG. Tel: 07818 672894 nrec@lavabit.com www.enduro-neec.org.uk

E, HH

0484 Richmond Motor Club Ltd

Mrs Rhona Peacock, Hipswell Hall, Hipswell, Richmond, North Yorkshire DL9 4BG. Tel/Fax: 01748 835514 rhona@richmondmotorclub.com www.richmondmotorclub.com

BT

0485 Ripon MC Ltd

Mrs Judith Blythe, 1 Bay Horse Cottage, Melmerby, Ripon, North Yorkshire HG4 5HA. Tel: 01765 640319/01765 640339

T, t

0487 Spen Valley MCC

Mr Stephen Smithies, 23 The Gardens, Heath Road, Halifax, West Yorkshire HX1 2PL. Tel: 01422 344139 s.smithies@sky.com www.spenvalleytrials.co.uk

T, t

0488 Stocksbridge MCC

Mr Peter Stewart, 72 Church Street, Oughtibridge, Sheffield S35 0FW.
Tel: 0114 2863847

T

0491 West Leeds MC Ltd

Mrs Penny Ludgate, 12 Greenwood Avenue, Upton, Pontefract, West Yorkshire WF9 1NS. Tel: 01977 648046 penny.ludgate@sky.com www.westleeds.co.uk

T, t

0492 Wetherby & DMC Ltd

Mrs Margaret Myers, The Bungalow, Low Lane, Darley, Harrogate HG3 2QN.
Tel: 01423 781539

T, t

0493 Yeadon – Guiseley & DMC Ltd

Mrs Janet Harrison, 18 Villa Road,
Bingley BD16 4ER. Tel: 01274 567047
janandmelharrison@hotmail.co.uk
www.yeadon-guiseleytrials.co.uk

t

0496 Yorkshire Classic MCC Ltd

Mr Keith Blackburn, 52 Rudding Avenue,
Allerton, Bradford, West Yorkshire BD15
7DS. Tel: 01274 849446

T

0495 Yorkshire Enduro Club

Mr Andrew Smith, Mayfield, Hopton
Lane, Lower Hopton, Mirfield, West
Yorkshire WF14 8JZ. Tel: 07711
034598 akls@btinternet.com
www.enduronec.org.uk

E

0494 Yorkshire Junior Grass Track Club

Mr A Brown, 20 Albany Drive, Walton-le-
Dale, Preston. PR5 4TY. Tel: 01772 497747.
07863 557185. adrian@deklanbrown.com
www.yorkshiregrasstrack.co.uk
MX, mx, GT, gt

21 SCOTTISH AUTO-CYCLE UNION LTD

Mrs Yvonne Kelly, Office Manager, Mr Eric
Jones, Policy/Planning and Finance Officer,
Miss Stella Clusker, Admin Assistant, Mrs
Ann Lee, Admin Assistant 28 West Main
Street, Uphall, West Lothian EH52 5DW.
Tel: 01506 858354 Fax: 01506 855792
office@sacu.co.uk ykelly@sacu.co.uk
www.sacu.co.uk

Motocross Recorder (Adult)

Mr Gordon Paterson, 48 Forthview Walk,
Tranent EH33 1FE. Tel: 01875 615309

Motocross Recorder (Youth)**Road Race Recorder**

Mr Tommy Miller, 5 Bellfield Court, Hurlford
KA1 5EY. Tel: 01563 526078

Trials Recorder

Mr John Moffat, 43 Oakdene Court, Inverness
IV2 7XL. Tel: 01463 794010

Enduro Recorder

Mr Charles Mackenzie, 12 Craiglockhart Road,
Edinburgh EH14 4RE. Tel: 0131 443 4275

ACU/SACU Benevolent Fund Officer

Mrs Y Kelly, 29 Baird Road, Armadale, West
Lothian, EH48 3NT Tel: 01501 732812/07523
537592 yvonne1950@mail.com

Child Protection Officer

Mrs Y. Kelly, 28 West Main Street, Uphall,
West Lothian EH52 5DW. Tel: 01506 858354
ykelly@sacu.co.uk

Environmental Officer (FIM)

Mr J. West, 59 Brock Street, North Queensferry,
Fife KY11 1JF. Tel: 01383 418212

Aberdeen & District MCC

Mrs M. Gray, 14 Bydand Gardens,
Inverurie, Aberdeenshire AB51 4FL.
Tel: 01467 625932 graym6@aol.com
www.aberdeen-and-district-mcc.com

Arran Motocross Club

Amanda Trotter, Old Coastguard House,
Kildonan, Isle of Arran KA27 8SD.
Tel: 01770 700231

Avon Valley MCC

Mr Douglas Meek, Loganlea, Deadwater,
Lesmahagow ML11 0JH. Tel: 01357
520091

Bon Accord MCC

Mrs Diane Stuart, 3 Woodview Place,
Stonehaven AB39 2TD. Tel: 01569 763025
diandjimstuart@googlemail.com

Bo'ness Hillclimb Revival Ltd

Mr Bill Drysdale, Kirklands, Summerhill,
Ayton, Eyemouth TD14 5QZ. Tel: 01890
781540 bill@kirklands904.plus.com

Borders Motocross Club

Sharon Queen, 9 Avon Crescent,
Glassford, Strathaven ML10 6TD.
Tel: 01357 523584

Buchan Off Road Motorcycle Club

Mr E. Beaton, 4 Kirkton
Crescent, Fraserburgh AB43 9SL.
Tel: 01346 517877/07801 555174
erniebeaton@yahoo.co.uk

Caithness MCC

Michelle Murray, Netherside, Castletown,
Caithness KW14 8SN. Tel: 01847 821775
michellem@talktalk.net

Caledonia M/X Club

Mr Jim Clunie, 3 Quarry Road, Cupar
Muir, Cupar KY15 5QP. Tel: 07774 479717

Dalmington MCC

Heather Anderson, 4 Gateside Cottages,
Sanquhar, Dumfriesshire DG4 6JP.
Tel: 01659 50137 hqueenie4@sky.com

Dunbar & District MX and Quad Club

Mr R Wright, Corriedale, Belhaven Road,
Dunbar EH42 1NG

Dunfermline & District MCC

Mr Colin McNiven, 5 Old Mill
Lane, Gifford, Haddington
EH41 4QQ. Tel: 07970 943886
enquires@dunfermlinemcc.co.uk

Easter Ross Motorcycle Club

Mr J Milton, Victoria Buildings, High
Street, Tain, IV19 1AE. Tel: :0775 9627113
jai@structural-rig-surveys.com

East Lothian Road & Trail Club

Ms. Caroline Thomson, 40 Gallowhill
Road, Kirkintilloch G66 4AJ. Tel: 0141 776
8275 atholl2caroline.cam40@ntlworld.com

Edinburgh & District MC Ltd

Mr Jim McColm, 10 Lower Granton Road,
Edinburgh EH5 3RX. Tel: 0131 5523927
jmccolm@hotmail.co.uk

Edinburgh St. George MC

Ms. C. Dalling, Newland Cottage,
Newlandrigg, Gorebridge, Midlothian
EH23 4NS. Tel: 01875 820349
creen@dalling.orangehome.co.uk

Fife Community Off Road Club

Mrs Isabel Wemyss, 12 Castlemount
Terrace, Kirkcaldy, Fife KY2 6YA.
Tel: 07746 228686 Fax: 01592 262024
i.wemyss@btinternet.com

Galloway & District MCC

Mr George Glendinning, 126 High Street,
Dalbeattie DG5 4BU.

Glenrothes Youth (YMX)

Mr Davie Gill, 12 Vrackie Place,
Dunfermline, Fife. Tel: 01383 726603

Grampian MCC

Mr Barry Hamilton, 28 Duff Place, Elgin,
Moray IV30 3DX. Tel: 01343 540185
www.gmccsite.com

Hawick & Borders MCC

Mr James Steel, Sunnyside, Denholm,
Hawick TD9 8NA. Tel: 01450 870505
jimmiesteel@hotmail.com

Highland Motocross Club

Mr Alan Macdonald, 31 Anne Crescent,
Nairn IV12 5DL. Tel: 01667 453043
www.highlandmotox.com

Inverness & District MCC

Mr Dave Mackay, 18 Burnbrae Terrace,
Westhill, Inverness IV2 5HD. Tel: 01463
792775 secretary@idmcc.co.uk idmcc.
co.uk

Islay & Jura Community Off Road Club

Mr Will Glover, Cladville, Portnahaven,
Islay PA47 7SZ. Tel: 01496 860293

Isle of Skye Trials Club

Eilidh Grant, Tigh-Na-Failte, Calgary,
Ardvasar, Isle of Skye IV45 8RU.
Tel: 01471 844270 Mob: 07762 914915
eilidh206@hotmail.com

Kingdom Off Road MCC

Mr Dave Paton, 3 The Turnstiles, Methil,
Leven KY8 3JZ. Tel: 07921 857283

Kirkcaldy & District MC Ltd

Mr Dougie Brotherston, 19 South
Row, Coaltown of Wemyss, Fife KY1
4LX. Tel: 01592 650871/07917 422574
secretary@kdmc.co.uk www.kdmc.co.uk

Knockhill Motorsports Club Ltd

Mrs.Jillian Shedden, Knockhill Racing
Circuit, By Dunfermline, Fife KY12 9TF.
Tel: 01383 723337

Lanarkshire MCC Ltd

Mrs Doreen Stratford, 11 Horsburgh
Grove, Balerno, Edinburgh EH14 7BU.
Tel: 0131 449 5718 dstratford@live.co.uk
www.lmcc.co.uk

Lochaber & District MC

Mrs Jackie Hail, Tom Dubh, Glenfinnan,
Invernessshire PH37 4LT. Tel: 01397
722270 jhail@btinternet.com

Lochinver Motorcycle Club

Mr Duncan Hutchison, Westwood,
3 Canisp Road, Lochinver
IV27 4LH. Tel: 01571 844229
duncdskunk@yahoo.com

Loch Lomond MCC

Mr George Tame, Loxley House, 62 Robin
Hood Way, Winnersh, Wokingham,
Berkshire RG41 5JH.

Mallaig & District Trials Club

Mr G. Henderson, Bracadene, Mallaig
PH41 4RH. Tel: 07798 658997

Melville MC (Scot) Ltd

Diana Dyce, 12 Garleton Drive,
Haddington EH41 3BL. Tel: 01620 825488
diana.dyce@tesco.net

Mid Argyll Motocross Club

Mr Stewart Campbell, 17 Balliemor,
Kilmichael Glassary, Lochgilphead, Argyll
PA31 8QD. Tel: 01546 606852

Moffat & District Motor Club

Mr Colin Harris, Buccleuch
Arms Hotel, High Street, Moffat
DG10 9ET. Tel: 07812 017213
moffatmotorclub@googlemail.com

North Lanarkshire Quad & Scramble Club

Mr Bob Reid, 16 Chestnut Grove,
Larkhall ML9 2AS. Tel: 01698 880483
www.nlsqbc.com

Perth & District MC

Mr Doug McNaughton, 134 Crieff Road,
Perth PH1 2NY. Tel: 01738 620260

Quad Racing Scotland

Mrs M. Graham, Rosebank Orchard,
Rosebank Road, Overtown Wishaw ML2
0RT. Tel: 07766 774848

Rhins MCC

Mrs Ann Slavin, Inch Cottage, Castle
Kennedy, Stranraer DG9 8RU. Tel: 01776
705684

Scottish Borders Enduro Club

Mrs R. Patrick, April Cottage, Luggate
Burn, Haddington EH41 4QA. Tel: 01620
890065 familypatrick40@aol.com

Scottish Classic Racing MCC

Mrs Agnes Cadger, Cronk-Ny-Mona,
Caddell Farm, Saltcoats KA21 6NE.
Tel: 01294 833320

Scottish Sidecar Racing Club

Barbara Cockburn, 70 Brierbush
Road, Macmerry, East Lothian,
EH33 1PT. Tel: 01875 613421
babs@cbr111.fsnet.co.uk

Scottish Vintage Racing Club

Mr Andrew Johnston, 32 Regent Place,
Edinburgh EH7 5BG. Tel: 0131 6612290

**Scottish Speedway Training and
Development Club**

Mr A. McDade, 5 Wellpark Terrace,
Neilston, Glasgow G78 3JY. Tel: 0141 580
2202

Scottish Youth (YMX)

Mrs Nicola Perfect, Viewfield House,
Viewbank View, Bonnyrigg, Midlothian
EH19 2HU. Tel: 0131 663 9852
nicola@pendrich.com

Shetland Motocross Club

Mr Alex Sharp, Scalloway Motors, Berry
Road, Scalloway, Shetland ZE1 0UJ.

Stevenson & District MCC

Mr Norman Lamont, 40 Seafield
Court, Ardrossan KA22 8NS.
Tel: 01294 466346/07528 376990
www.stevensonmcc.co.uk

Strathmore Motocross Club

Lindsay Paterson, Mains of Arthrustone,
Ardler, By Meigle PH12 8QY. Tel: 07850
719216

Western Isles Motocross Club

Mr S. McKay, 28 Lewis Street, Stornoway,
Isle of Lewis HS1 2JW. Tel: 01851 701690

ASSOCIATE MEMBER CLUBS OF THE SACU**Scottish Motorcycle Marshals Association**

Mr Gordon Dingwall, 14 Viewforth Street,
Kirkcaldy, Fife KY1 3DG. Tel: 01592
655962

VMCC Central Scottish Section (CSS)

Mr Arthur Merchant, 56 Carlogie Road,
Carnoustie, Angus DD7 6EY. Tel: 01241
852369

VMCC Highland Section (HS)

Mr Robert Fraser, Rowanvale, Culloden
Moor, Inverness IV1 2EG.

VMCC North East Scotland Section (NESS)

Ms. Jacqui Watson, Newton of Gask,
Greeness, Turriff AB53 8HY. Tel: 01888
544710

VMCC Stirling Castle Section (SCS)

Mr A. Moffat, Ryedale, 33
Culbowie Crescent, Buchyvie,
Stirlingshire FK8 3NH. Mob: 07799
756734 moffat4@uwclub.net
www.stirlingcastlevmcc.co.uk

Lothians & Borders Police

Mr Colin Shillito, Fettes Avenue,
Edinburgh. Tel: 0131 3 31 3131

Rural & Urban Training Scheme

Mr I. Stoddart, 23 Station Road,
Newtongrange, Midlothian EH22 4NB.
Tel: 0131 6635736

Strathclyde Police

Inspector Ian Broadhurst, Strathclyde
Police Force Training Dept, Eaglesham
Road, East Kilbride G75 8GR.

Timekeepers & timing equipment

AUTHORITY

The ACU appoints all grades of timekeeper annually from 1st January each year.

Persons operating timing equipment to an accuracy of greater than 1 second must be licensed.

All timing equipment used at licensed events must be certified in accordance with the table below. All certificates of accuracy must be available for inspection at each event.

DUTIES

Each timekeeper is responsible for the authenticity of the times taken and the results issued, substantiated by having the correct licence for the grade of event and by using the appropriate correct identifiable equipment for the type and grade of the event.

Timekeepers are categorised as follows:

FIM TIMEKEEPERS. Who may take charge of the timing of any event as licensed by the FIM. They are particularly appointed to take charge of the timing at events counting towards a World Championship or FIM title and at World Record attempts.

GROUP 1 TIMEKEEPERS. Chief timekeeper for National or International meetings.

DUTIES AND RESPONSIBILITIES OF A GROUP 1 TIMEKEEPER

In order to achieve the grade of Group 1 timekeeper, the applicant must have served at and taken charge of at least ten events over two consecutive seasons under the supervision of senior timekeepers. At least two of those events will be subject to the appraisal of an approved mentor, at one venue known to the applicant and one nominated venue.

Individually, all Grade 1 timekeepers may be subject to appraisal and interview by at least one senior timekeeper nominated by the ACU.

Appointments to International grade remain the sole responsibility of the ACU.

In exceptional circumstances the timescales quoted above may be altered after reference to the respective organizers, Chief timekeepers and/or the ACU.

The ACU reserves the right to amend and

change the grades of all timekeepers.

The applicant will be appraised in accordance with the following criteria:

PLANNING

The timekeeper will demonstrate an ability to plan the equipment requirement for the event. He/she will ensure that the needs of the organisers are met as follows:

- The timing equipment selected for the event is appropriate and matches the requirements of the organisers.
- The timing equipment selected has the correct and valid certificate of accuracy.
- The beams, cabling and associated equipment are compatible with the timers.
- The results equipment is appropriate for the service required, and if electronically linked to the timing equipment, the two are compatible.
- The backup equipment is appropriate for the event.
- The timer and associated equipment is checked for readiness for use.

PLANNING THE PERSONNEL

- The licence grades and competencies of the personnel are appropriate for the event.
 - The number of personnel is adequate for the event.
 - All personnel are informed of their duties in adequate time.
 - Transport arrangements, accommodation and arrival times are clear and appropriate
- The timekeeper will be able to identify risks in the planning and deal with any contingencies.

ORGANISATION AND MANAGEMENT

- The range of duties needed for the event is identified
- All timing service personnel sign the ACU disclaimer.
- Duties are allocated according to the competencies of individuals.
- Duties and requirements are explained and understood by all team members.
- Appropriate lines of communication between the timing team and the organisers

Equip	Description	Suitable for	Cert Class Laboratory
G/A	Vehicular actuated apparatus incorporating printout. Issue times to 0.001 sec.	Race	NAMAS or National Observatory
D/A	Vehicular actuated apparatus incorporating printout. Issue times to 0.01 sec.	Any Event	NAMAS or National Observatory
D	Vehicular actuated digital display. Issue times to 0.01 sec.	International Speed	NAMAS or National Observatory
E/A	Vehicular actuated apparatus incorporating printout. Issue times to 0.01 sec	International (non FIM)	ACU
E/A (10)	Vehicular actuated apparatus incorporating printout. Issue times to 0.01 sec.	National	ACU
E	Vehicular actuated apparatus. Issue times to 0.01 sec.	National Speed Events	ACU
E/B	Apparatus with multi-memory split and digital display. Issue times to 0.1 sec.	National	ACU
E/C	Apparatus with split time function. Issue times to 0.1 sec.	Clubman Speed	ACU
F	Vehicular actuated apparatus. Issue times to 0.1 sec.	Clubman Speed	ACU
R	Time of day with split. Issue times to 1 sec.	Clubman	ACU
R01	Time of day with split. Issue times to 0.1 sec. Clubman	ACU	

are identified, agreed and established.

- Prior to and throughout the event risks are identified and dealt efficiently and effectively.
- All team members are treated in a courteous manner.
- Identify risks in the above and deal with any contingencies.

COMMUNICATION WITH OFFICIALS, COMPETITORS, COORDINATORS AND OTHER RELEVANT PERSONS

- The roles, responsibilities and identities of the officials and other event personnel are understood by the timing team.
- All persons are dealt with in a courteous and polite manner.
- All requests for information or services required from the team are assigned to the appropriate personnel to answer or provide.
- Such requests are dealt with in a clear and concise manner without undue delay.
- Identify risks in the above and deal with any contingencies.

IDENTIFICATION AND DEVELOPMENT OF TIMING PERSONNEL NEEDS

- The competencies and abilities of the timekeepers are identified.
- Appropriate training programmes are identified to match individual requirements.

GROUP 2 TIMEKEEPERS. Take charge of events up to Club level.

GROUP 3 TIMEKEEPERS. Assistant to the Chief timekeeper at events.

GROUP 4 TIMEKEEPERS. Trainee, they are encouraged to assist more senior timekeepers.

RACE RECORDERS. Assist the timekeeper by recording the number of laps and finishing order including retirements of competitors at a race event.

The differing type of events licensed by the ACU means that the organising club must identify an event's timing needs, with the Chief Timekeeper.

TIMEKEEPERS EXPENSES

Expenses are subject to agreement between the organising Club and the Chief Timekeeper prior to the event.

TIMEKEEPING SUB PANEL

Mr R. J. Langdale – Chairman
 Mr M. Corfe Mr G. Lond
 Mr A. Smith Mr S. Taylor
 Mr J. A. Ward

TIMEKEEPING EQUIPMENT TESTERS

Certification of equipment may be carried out by the following. A fee will be charged, for details please contact those listed direct:

T. Saunders, 48 Broadlands Drive, Malvern, Worcester WR14 1PW. Tel: 01684 894884/01684 561966
J. A. Ward, 8 Ash Grove, Kingsbury, Tamworth, Staffs B76 2JW. Tel: 01827 873926

FIM TIMEKEEPERS

For a list of current FIM Timekeepers please contact the ACU head office on 01788 566405.

GROUP 1 TIMEKEEPERS

J. Barnett, 5 Rosemary Close, Claughton, Birkenhead, Wirral CH43 7AZ. Tel: 0151 6527835
K. Barton, 7 Orchard Close, Chalgrove, Oxford OX44 7RA. Tel: 01865 890952
K. Brookes, Cronk Mooar, Truggan Road, Port St Mary, Isle of Man IM9 5AX. Tel: 01624 834612
C. Burridge, Flat 4, Trevaldwyn, Montpellier Park, Llandrindod Wells, Powys LD1 5LW. Tel: 07708 733901
K. Cooper, 144 Healey Wood Road, Brighouse, West Yorkshire HD6 3RR. Tel: 01422 347734
M. Corfe, 28 Straker Avenue, Ellesmere Port, Cheshire CH65 3BE. Tel: 0151 3567230
E. Cowill, 4 Cedar Close, Sandbach, Cheshire CW11 4JS. Tel: 01270 763509
M. Craggs, 5 Carlton Mews, Washingborough, Lincoln LN4 1RB. Tel: 01522 794770
M. Davies, 39 Briar Vale, Monkseaton, Whitley Bay, Tyne & Wear NE25 9AZ. Tel: 0191 4888800
M. Gregory, 11 Peel Street, Westhoughton, Bolton, Lancs BL5 3SP. Tel: 01942 818702
N. S. Hooper, 7 Leyton Cross Road, Wilmington, Dartford, Kent DA2 7AP. Tel: 0207 1162862

R. Humphrey, 11 Shepherds Avenue, Earley, Reading, Berkshire RG6 1AY. Tel: 07850 598886
S. Hunt, 23 Oak Place, Meir, Stoke on Trent, Staffs ST3 5PN. Tel: 01782 316946
R. Hutton, Westhome, Homedowns, Fiddington, Tewkesbury, Gloucester GL20 7BQ. Tel: 01684 295281
D. Jones, Sports Timing Services, Unit 9 Lymedale Enterprise Centre, Dalewood Road, Lymedale Business Park, Newcastle, Staffs ST5 9QH. Tel: 01782 563380
J. Keutgen, 88 Wrentham Avenue, London NW10 3HG. Tel: 020 8960 5533
R. Langdale, 1 Union Street, Louth, Lincs LN11 0ES. Tel: 01507 601872
G. Lond, 7 Kinnington Way, Backford, Chester CH1 6PB. Tel: 01244 851422
K. Madeley, Glen Haven, Abermule, Montgomery, Powys SY15 6ND. Tel: 01938 553785
V. Madeley, Greenfields, Kerry, Newtown, Powys SY16 4LH. Tel: 01686 670596
G. Marshall, 11 Walgrave Close, Congleton, Cheshire CW12 4TS. Tel: 01260 276996
D. Morley, 31 Albert Road, Heaton, Bolton, Lancashire BL1 5HF. Tel: 01204 493070
J. Quayle, Invertay, Croit E Quill Road, Lonan, Isle of Man IM4 7JJ. Tel: 01624 861041
J. Schreier, 10 Rowan Drive, Hall Green, Birmingham B28 0YH. Tel: 0121 7456990
D. B. Sharp, Ravenslea, Melrose Road, Galashiels TD1 2AT. Tel: 01896 752447
A. Smith, 17 Walnut Rise, Congleton, Cheshire, CW12 4JY Tel: 01260 275708
C. Smith, 2 Newton Croft, Sudbury, Suffolk CO10 2RW. Tel: 01787 313648
G. Smith, 18 Coleridge Close, Sandbach, Cheshire CW11 3NN. Tel: 01260 275708
R. Smith, 12 Roman Way, Long Melford, Sudbury, Suffolk CO10 9LN. Tel: 01787 313775
W. A. Smith, 'Hillcrest', Six Arches Lane, Scorton, Preston, Lancashire PR3 1AL. Tel: 01524 791772
G. Taggart, Fernlea, West Baldwin, Douglas, Isle of Man IM4 5EY. Tel: 01624 682221
S. Taylor, 16 Russett Court, Tupwood Lane, Caterham, Surrey, CR3 6DA, Tel: 07879 478874

B. Underwood, 9 Shannon Way, Evesham,
Worcester WR11 3FF. Tel: 01386 442705

J. Ward, 8 Ash Grove, Kingsbury, Tamworth,
Staffs B78 2JW. Tel: 01827 285666

D. Webb, 31 The Crescent, Carterton, Oxon
OX18 3SQ. Tel: 07808 740134

GROUP 2 TIMEKEEPERS

D. Barnett, 17 Kings Lane, Bebington, Wirral
CH63 8NN. Tel: 0151 6456092

P. Cain, 15 Malvern Road, Douglas, Isle of Man
IM2 5AR. Tel: 07624 496325

D. Clucas, 31 William Proctor Court, Douglas,
Isle of Man, IM2 6PR. Tel: 01624 673105

J. Coles, 88 Wheatley Road, Gresington,
Oxford, OX44 9DR. Tel: 01865 361735

G. Connolly, 19 Eastlands, Lacey Green, Princes
Risborough, Bucks HP27 0QB. Tel: 01892
834743

W. Daff, 14 Blackberry Close, Kettering,
Northants, NN16 9JQ. Tel: 01536 520040

S. Evans, Bob-Dimai, Tanybryn Terrace,
Penclawdd, Swansea, SA4 3XW. Tel: 07890
321061

P. Jeffries, 40 Collingwood Way,
Westhoughton, Bolton BL5 3TS. Tel: 01942
790488

D. Jewell, 7 Moor Lane, Hutton, Weston Super
Mare, Somerset BS24 9QJ. Tel: 01934
814833

R. Jones, 45 Church Street, Talke, Stoke on
Trent, Staffs ST7 1NX. Tel: 01782 772169

P. Kneen, Fairholm, 59 Bray Hill, Douglas, Isle
of Man IM2 5BS. Tel: 01624 674346

P. Knight, 12 Bosville, Eastleigh SO50 4PD
Tel: 02380 641758

J. Lloyd-Jones, Esgair, Llanwnog, Caesws,
Powys SY17 5PB. Tel: 01686 688123

D. Loxton, Oak Cottage, Burrow Way, Kinsbury
Episcopi, Matlock, Somerset TA12 6BT
Tel: 01460 242562

D. MacGill, 19 Sadlers Court, Abingdon, Oxon,
OX14 2PA. Tel: 07860 136621

V. Madeley, Greenfields, Kerry, Newtown,
Powys SY16 4LH. Tel: 01686 670596

A. McMahon, 16 Cronk Ny Greiney, Douglas,
Isle of Man IM2 5LW. Tel: 01624 677724

N. Palmer, 8 Edwards Court, Edwards Road,
Burntwood WS7 4YT. Tel: 07890 329222

Jon. Planas, 42 Dordon Road, Dordon,
Tamworth, Staffs B78 1QN. Tel: 07702
197639

Jonathan Planas, 15 Whitburn Road,
Bedworth, Warwickshire CV12 0LT.
Tel: 07734 035708

S. Poston, Glen Haven, Abermule,
Montgomery, Powys SY15 6ND. Tel: 01686
630653

J. Print, 11 Roundhouse Road, Coventry CV3
1DA. Tel: 02476 831881

E. Reading, 3 Regent Mews, High Street, Chard,
Somerset TA20 1QH. Tel: 01460 63904

P. Redmayne, 19 St Pauls Close, Low Moor,
Clitheroe, Lancs BB7 2NA. Tel: 01200
428012

D. Rees, The Manse, Felindre, Swansea, SA5
7NL. Tel: 07817 286189

D. Riley, 24 Keats Drive, Egremont, Cumbria
CA22 2EY. Tel: 01946 823735

N. Roberts, 16 Tanycoed Road, Clydach,
Swansea SA6 5NG. Tel: 07800 786091

B. Sanderson, 12 Charles Street, Biddulph,
Stoke on Trent, Staffs ST8 6JB. Tel: 01782
519846

A. Shearing, 66 Silverburn Drive, Oakwood,
Derby DE21 2JH. Tel: 01332 833992

G. Shearing, 11 The Maltings, Shardlow, Derby
DE72 2HH. Tel: 01332 792165

P. Standing, 6 Trafalgar Road, Gravesend, Kent,
DA11 0QA. Tel: 07802 795000

C. Swales, 26 Bayr Grianagh, Castletown, Isle of
Man IM9 1HL. Tel: 01624 685535

S. Wills, 24 Hadrian Drive, Exeter, Devon EX4
1SR

GROUP 3 TIMEKEEPERS

T. Baker, Fort View House, 1 Clocktower Drive,
Marine Gate, Southsea, Hampshire PO4
9XR. Tel: 07753 815596

G. Brain, 5 Burnside Gardens, Meole Brace,
Shrewsbury, Shropshire SY3 9HH.
Tel: 01743 367172

K. Hack, 1 Yew Court, Ipswich, Suffolk IP2 9TU.
Tel: 01473 270101

C. Jones, 59 West Street, Ince, Wigan, Lancs,
WN2 2HF. Tel: 07799 656189

T. McMahon, 16 Cronk ny Greiney, Tromode,
Douglas, Isle of Man IM2 5LW. Tel: 01624
677724

- C. Morley**, 31 Albert Road, Bolton, Lancs BL1 5HF. Tel: 01204 493070
- C Mort**, 83 Elm Crescent, Penllergaer, Swansea SA4 9ZS. Tel: 07882 345372
- B. Smith**, 17 Walnut Rise, Congleton, Cheshire, CW12 4JY. Tel: 01260 275708
- G. Smith**, 25 Abinger Road, Ashton in Markerfield, Wigan, Lancs, WN4 0RN
Tel: 01942 717064
- P. Smith**, 12 Barmouth Close, Knypersley, Stoke on Trent, Staffs ST8 7XN. Tel: 01260 275708
- S. Spolton**, 38 Pennistone Place, Scartho Top, Grimsby DN33 3SS. Tel:01472 280023
- J. Williams**, 46 Templar Road, Oxford, OX2 8LU, Tel: 07776 255300

GROUP 4 TIMEKEEPERS

- D. Anniwell**, 63 Queen Street, Rushden, Northants, NN10 0AY, Tel: 01933 650700
- C. Arnold**, 7 Bramley Lane, Darby Green, Blackwater, Camberley, Surrey GU17 0BY. Tel: 01276 505599
- D. Brazier**, Aston Cottage, 14 Aston Rogers, Westbury, Shrewsbury, SY5 9Q Tel: 01743 891479
- A. Cook**, The Mead, Great Cornard, Sudbury, Suffolk CO10 0JP Tel: 01787 373233
- M. Evans**, 13 Barnhill Lane, Hayes, Middlesex UB4 9HD. Tel: 0208 8418203
- R. Fraser**, Marlow Cottage, Stithians, Truro, Cornwall TR3 7DD Tel: 01209 860083
- K. Hancock**, 31 William Proctor Court, Douglas, Isle of Man, IM2 6PR Tel: 01624 673105
- K. Jones**, 15 Blagg Avenue, Nantwich, Cheshire CW5 5JF
- F. Lawes**, 40 Littledown View, Great Durnford, Salisbury, Wiltshire SP4 6AU. Tel: 01722 782787
- K. Letts**, 8 Gray Street, Irchester, Wellingborough Northants, NN29 7DS
Tel: 07798 902414
- K. Lomax**, Apt 1 Kirkham Lodge, 5 Willow Drive, Cheddleton, Leek, Staffs ST13 7FB. Tel: 07712 657595
- D. Milliner**, 80 Cherry Wood Crescent, Fulford, York YO19 4QN Tel: 07853 994091
- J. Poad**, Swaledale House, Driffild Road, Kilham, Driffild, East Yorkshire YO25 4SN. Tel: 01262 420399

- A. Redmayne**, 19 St Pauls Close, Low Moor, Clitheroe, Lancs BB7 2NA. Tel: 01200 428012
- P. Sewter**, 22 Priors Way, Old Catton, Norwich NR6 7AU Tel: 01603 424605
- A. Sherriff**, 44 Dordon Road, Dordon, Tamworth, Staffs B78 1QN. Tel: 01827 735419
- S. Stretton**, 66a Overston Road, Moulton, Northampton, NN3 7UX Tel: 07907 858666
- M. Testro**, 4 St Johns Close, Barnstaple, Devon, EX32 9AZ Tel: 01271 346678
- R. Tydesley**, 4 Victoria Street, Chesterton, Newcastle ST5 7EW Tel: 07940 910152

RACE RECORDERS

- G. Eaton**, 11 Mount Park Road, Scarborough, North Yorkshire YO12 5HD. Tel: 01723 379823
- A. Foskew**, 9 Ebenezer Close, Witham, Essex CM8 2HX. Tel: 01376 517169
- S. Foskew**, 9 Ebenezer Close, Witham, Essex CM8 2HX. Tel: 01376 517169
- C. Morley**, 31 Albert Road, Bolton, Lancs BL1 5HF. Tel: 01204 493070
- G. Taylor**, 539 Kingsley Park, Westward Ho, Bideford, Devon EX39 1UG. Tel: 01237 477548

TECHNICAL OFFICIAL GRADING

1 INTERNATIONAL TECHNICAL STEWARD
 2 SENIOR TECHNICAL OFFICIAL
 3 TECHNICAL OFFICIAL
 Also: **Technical Assistant(s)** acts in a supportive capacity to the Technical Team. May be appointed by the Senior Technical Official for the duration of an event, at any level of competition. Working under strict supervision.

TECHNICAL OFFICIAL

Authorised by the Permit Issuing Authority to form part of a Technical Control Team, applicants should have knowledge of motorcycle engineering practice, be familiar with the Technical Rules in the current ACU Handbook and the National Sporting Code and have attended a suitable training seminar. They may officiate at any discipline. They may take charge of a Closed to Club or Restricted meeting at disciplines for which they are trained, other than Road Racing related events. They must attend a

training course every 3 years, which may be held on a regional basis. Minimum age 18 years.

UPGRADING TO SENIOR TECHNICAL OFFICIAL

The applicant must be able to demonstrate a need to upgrade (i.e. will be taking charge of a meeting within the following 12 months). The applicant should have assisted at a minimum of ten meetings in two years and attended a National Technical Official's Seminar as a Technical Official at ACU House, Rugby. Questions on relevant ACU and FIM Rules will be asked. Reference to handbooks will be permitted. An application for upgrading must be supported by the applicant's service record and recommendations as to suitability from two International FIM Technical Stewards. Due account will be taken of any discipline specialisation.

The Technical Panel will consider fast track upgrade to Senior Technical Official status for candidates who are Chartered Engineers or have equal experience.

SENIOR TECHNICAL OFFICIAL

Authorised by the Permit Issuing Authority to take charge of the Technical Control Team at events of National status and below, may also assist at higher status and take charge at lower status events. They are able to officiate at all disciplines or at disciplines as licenced. Persons holding this licence must attend a training course/seminar at ACU House, Rugby every 3 years.

This is the minimum qualification required to take charge at a road race related event.

UPGRADING TO INTERNATIONAL TECHNICAL STEWARD (FIM)

The applicant must have attended Technical Steward Seminars, passed the FIM Examination and have attained a three year qualification. Must be an authorised ACU Measurer and Sound Inspector, and have demonstrated an ability to organise and control the Technical Control Team as an effective Manager, be able to report fully to an International Jury or Clerk of the Course and have an above average knowledge of General and Technical Regulations and of motorcycle engineering practice.

Must have been recommended by the Clerk of the Course at ten National meetings while acting as Senior Technical Official and by the International Technical Steward at five International meetings while acting as Deputy to the Chief Technical Official.

INTERNATIONAL TECHNICAL STEWARD (FIM)

May take charge of the Technical Control Team at all International events and may also take charge or be a Team Member at any status event. They are by definition capable of officiating at all disciplines and at all levels.

APPLICATIONS FOR RENEWAL OR UPGRADING

Shall be made to the Secretary of the ACU Technical Panel by 1st October each year. Applications must be accompanied by a recent passport photograph and the applicants service record. Downgrading or withholding of a Technical Official's licence may occur due to adverse reports, lack of Technical Duties in any one season or non attendances at a National Technical Officials Seminar within the last 3 years. All regrading will be at the absolute discretion of the Technical Panel.

INTERNATIONAL TECHNICAL STEWARDS

T. Brown, 92 Langtoft Road, Stroud, Gloucester, GL5 1NJ. Tel: 01453 752466

T. Brown, 3 Forgefields, Herne Bay, Kent, CT6 7TB. Tel: 01227 364332

T. Burton, Briarlea, Clawdd Lane, New Radnor, Presteigne, Powys LD8 2TU. Tel: 01544 350242

W. Clucas, 11 Derby View, Castletown, Isle of Man, IM9 1BZ. Tel: 01624 824005

P. Cullen, 6 Warland Road, West Kingsdown, Sevenoaks, Kent, TN15 6LD. Tel: 07803 083881

A. Deeks, c/o 50 Colchester Road, Great Totham, Maldon, Essex, CM9 8DG. Tel: 01621 890962

R. Griffiths, Maes Celyn Bungalow, Brecon Road, Crickhowell, Powys NP8 1SF. Tel: 07866 857387

D. Holmes, 24 Kenmore Avenue, Cleckheaton, West Yorkshire BD19 3YA. Tel: 01274 865946

- A. Homes**, 7 Arless Way, Harborne, Birmingham B17 ORD. Tel: 0121 427 6474
- C. Hunter**, 32 Greens Beck Road, Hartburn, Stockton on Tees, TS18 5AR. Tel: 01642 645909
- C. Hurst**, 26 Thorns Road, Astley Bridge, Bolton, Lancs BL1 6NX. Tel: 01204 300410
- J. Jack**, 11 Sweethill Terrace, Carnbroe, Coatbridge, Lanarkshire, ML5 4ST. Tel: 01236 432833
- E. O. Jones**, 18 Chapel Street, Astwood Bank, Redditch B96 6DA. Tel: 01527 893392
- N. Jones**, 2 Pentwyn, Radyr, Cardiff CF15 8RE. Tel: 07860 532876/02920 842224
- I. King**, 11 Cockhall Close, Litlington, Royston, Herts, SG8 0RB. Tel: 01763 853985
- P. D. King**, 3 Branston Avenue, Barrow on Soar, Loughborough, Leicestershire LE12 8XL. Tel: 01509 416369
- N. Lamont**, Hillberry, 40 Seafield Court, Ardrossan, Ayrshire KA22 8NS. Tel: 01294 466346
- J. McMillan**, Flat 1, 44 Bridget Street, Rugby, Warwickshire, CV21 2BH. Tel: 07725 213348
- J. O'Reilly**, 41 Rennie Crescent, Cheddleton, Leek, Staffs, ST13 7HD. Tel: 07796 887116
- J. Ridout**, 2 Mona Street, Peel, Isle of Man IM5 1HJ. Tel: 01624 685096
- D. Robinson**, 20 Farrowdene Road, Reading, Berks, RG2 8SD. Tel: 01189 871823
- R. J. Sullivan**, 69 Caulfield Road, Swindon, Wilts SN2 8BT. Tel: 01793 531831
- A. Summers**, 101 Friar Park Road, Wednesday, West Midlands WS10 0JR. Tel: 07842 692008
- B. A. Taylor**, 32 Church Road, Fordham, Colchester, Essex CO6 3NE. Tel: 01206 240168
- D. Banks**, 27 Oak Road, Stone, Staffs, ST15 8NG. Tel: 07974 736509
- I. Beech**, Gorsebank, Cranstal, Bride, Isle of Man IM7 4BS.
- S. Bertie-Roberts**, 2 Clos De Bosdet, La Petite Route Des Mielles, St Brelade, Jersey, JE3 8RB. Tel: 07797 924027
- P. Bevis**, 14 Devonshire Road, Eastcote, Pinner, Middlesex HA5 1TX. Tel: 07050 043399
- L. Bibby**, 6 Berwick Avenue, Eastham, Merseyside CH62 8EP.
- R. Bird**, 7 Birch Close, Killamarsh, Sheffield S21 1FW. Tel: 01142 477101
- A. Bode**, Avoca, Old Laxey Hill, Laxey, Isle of Man IM4 7DA.
- M. Bourgaize**, Little Haven, Rue Mahaut, Richmond, St Saviour, Guernsey, GY7 9XD. Tel: 07781 166058
- C. Bray**, 24 Eastview Avenue, Plumstead, London SE18 2HT. Tel: 07714 715734
- J. Brennan**, 75 Harewood Road, Coventry, CV5 8BS. Tel: 07786 071898
- A. Brown**, 20 Albany Drive, Walton le Dale, Preston, Lancs, PR5 4TY. Tel: 07863 557183
- P. Brown**, 9 Admirals Hard, Plymouth PL1 3RJ. Tel: 07778 740014
- Tim Brown**, 3 Forgefields, Herne Bay, Canterbury, Kent CT6 7TB.
- S. Buckingham**, 9 Foxway, Barham, Canterbury, Kent CT4 6QJ. Tel: 01227 831645
- B. Carbutt**, 8 The Crescent, Macclesfield, Cheshire SK10 2QU. Tel: 01625 611179
- W. Carruthers**, 20 Dan-yr-Heol, Penywaun, Aberdare, Mid Glamorgan, CF44 9DY. Tel: 01685 814923
- M. Chapman**, Cooil Veg, 14 Cronk Drean, Douglas, Isle of Man IM2 6AY. Tel: 01624 611341
- A. Cheadle**, 50 Hollybrook Way, Littleover, Derby DE23 3TU.
- G. Clark**, Tamarind, Les Adams, St Pierre du Bois, Guernsey GY7 9LJ. Tel: 01481 710881
- J. Clark**, 7 Hanbury Avenue, Hatton, Derby, DE65 5HG. Tel: 07784 133664
- W. Clucas**, 11 Derby View, Castletown, Isle of Man IM9 1BZ. Tel: 01624 824005
- W. Cohu**, Varykino, Les Friquets, Vale, Guernsey GY3 5SA. Tel: 01481 245569
- D. Corlett**, 6 Cronk y Berry Drive, Douglas, Isle of Man IM2 6HB.

**SENIOR TECHNICAL OFFICIALS
ROAD RACE**

- G. Alcock**, 2 Station Lane, Farnsfield, Newark, Notts NG22 8LA. Tel: 01623 882231
- M. Allan**, 32 Lime Tree Avenue, Retford, Notts, DN22 7BA. Tel: 01777 704055
- K. Allen**, Ap Trow, Birsay, Orkney, KW17 2LT. Tel: 01159 175644.
- B. Amos**, 28 Knighton, Adbaston, Stafford ST20 0QH. Tel: 01952 217374

- M. Crook**, 16 Brookway, Greasby, Wirral, Cheshire CH49 2NH. Tel: 07747 087153
- P. Cullen**, 6 Warland Road, West Kingsdown, Sevenoaks, Kent TN15 6LD. Tel: 07803 083881
- H. Cullen**, 76 Woodlands Estate, Blean, Canterbury, Kent, CT2 9JN. Tel: 01227 472609
- T. Cutts**, 39 Chevet View, Royston, Barnsley, South Yorks, S71 4RZ. Tel: 07867 96947
- G. Daine**, 76 Colin Avenue, Grimsby DN32 8EN. Tel: 01472 697953
- D. Davis**, 3 Marlborough Road, Wroughton, Swindon, Wilts SN4 0RX. Tel: 01793 812327
- J. Downes**, Thundersport House, Church Road, Kirkby Mallory, Leicester, LE9 7QE. Tel: 07762 870469
- R. Dowty**, The Brewers House, Castle Hill, Douglas, Isle of Man IM2 4AD. Tel: 01624 645900
- P. Eaton**, 74 Winchester Avenue, Waterloo, Liverpool L22 2AT. Tel: 07828 632528
- Brian M. Edwards**, Fairview, Knatts Valley Road, Knatts Valley, Sevenoaks, Kent TN15 6XY. Tel: 01474 852155
- C. Edwards**, 157 Queens Walk, Peterborough, PE2 9AJ. Tel: 07933 777209
- M. Elliott**, 23 Thornhill Drive, Shipley, West Yorkshire, BD18 1BA. Tel: 07970 291439
- R. Emmerson**, 80 Station Road, Scalby, Scarborough, North Yorkshire YO13 0QG. Tel: 01723 367708
- C. Freestone**, 88 Morningside Close, Allenton, Derby, DE24 9JP. Tel: 07813 798163
- A. Garrod**, The Granary, 6 Ash Road, Lower Hacheston, Woodbridge, Suffolk IP13 0AA.
- G. Garrod**, 56 Dallinghoo Road, Wickham Market, Woodbridge, Suffolk IP13 0RY.
- H. Garton**, Sundown, Ballanard Road, Douglas, Isle of Man IM2 5PW. Tel: 01624 625140
- P. Gates**, Foxgloves, Kingswood Road, Hillesley, Wooton Under Edge, Gloucester, GL2 7RB. Tel: 01453 844679
- J. Godley**, 21 Sandown Avenue, Mickleover, Derby DE3 0QQ. Tel: 01332 514680
- H. Gordon**, 2 Beech Drive, St Ives, Huntingdon, Cambs, PE27 6UB. Tel: 01480 469731
- A. Graily**, 107 Marton Road, Bridlington, East Yorkshire YO16 7PX. Tel: 07901 995606
- M. Griffin**, Woodview, Braintree Road, Sible Hedingham, Halstead, Essex CO9 3RL.
- A. Griffiths**, 23 Ffordd Coed Marion, Marion, Caernarfon, Gwynedd, LL55 2EF. Tel: 01286 678994
- R. Groves**, 2 Woodlands, Newbridge-on-Wye, Builth Wells, Powys LD2 3SB. Tel: 01597 860471
- M. Halliday**, 15 The Nook, Chilwell, Beeston, Nottingham, NG9 5AB. Tel: 01159 135757
- M. Hammond**, 48 Desmond Avenue, Hull, Yorkshire HU6 7JX. Tel: 01482 219999
- L. Harris**, 2 Middleton Close, Norwich, Norfolk, NR3 3QE. Tel: 07796 360177.
- T. Harris**, 2 Middleton Close, Norwich, Norfolk, NR3 3QE. Tel: 07585 5335043
- C. Harrison**, Cawood Barn, Hull Road, Skirlaugh, Hull, HU11 5AA. Tel: 01964 563775
- C. Heeson**, 7 Greenway, Copperhall, Crewe, Cheshire CW1 4JN.
- B. Hewlett**, 12 Chapel Road, Kempsey, Worcester WR5 3JT. Tel: 01905 820096
- S. Hill**, 8 Lime Avenue, Breadsall, Derby DE21 4GD. Tel: 01332 594105
- E. Hocking**, 28 The Lawns, Astley Lane, Bedworth, Warwickshire, CV12 0NG. Tel: 02476 638245
- D. Hodgson**, 74 Union Road, Low Moor, Bradford, West Yorkshire BD12 0DF.
- D. Holmes**, 24 Kenmore Avenue, Cleckheaton, West Yorkshire, BD19 3YA. Tel: 07877 638986
- J. Holmes**, 3 Kent Avenue, Jacksdale, Nottingham, NG16 5LS. Tel: 01623 688700
- O. Holmes**, 3 Le Close Vaze, St Johns Road, St Hellier, Jersey JE2 3BD
- A. Homes**, 7 Arless Way, Harborne, Birmingham, B17 0RD. Tel: 0121 4276474
- G. Howard**, Cushag, Ballabenna Lane, Lower Foxdale, Isle of Man IM4 3AZ.
- D. Hughes**, Castle Cottage, 2 Castle Causeway, Sleaford, Lincs NG34 7QN. Tel: 01529 307253
- J. Hutchinson**, 47 Sheepcote, Dell Road, Holmer Green, High Wycombe, Bucks HP15 6TJ. Tel: 07786 677251
- M. Ing**, 17 Highwood Lawn, Havant, Portsmouth, Hampshire PO9 4HL. Tel: 02392 455084
- B. James**, The Meadows, Top Pasture Lane, North Wheatley, Retford, Notts, DN22 9BY. Tel: 01427 881161

- H. Januszewski**, 46 Alfreton Road, Little Eaton, Derby DE21 5DD. Tel: 01332 833458
- S. Johnson**, 5 Baker Court, Thrapston, Kettering, Northants NN14 4XA. Tel: 07815 186653
- E. Jordan**, 8 Tuckwell Close, Stockton, Southam, Warwickshire, CV47 8JP. Tel: 01926 814227
- J. Kirby**, 15 Bowness Close, Onchan, Isle of Man IM3 2DJ. Tel: 01624 625922
- T. Leah**, 28 Coach Road, Barrow Nook, Bickerstaffe, Ormskirk, Lancs L39 0EU. Tel: 01706 883247
- R. Leivars**, Hazel Glen, Paris Street, St Peter Port, Guernsey GY1 2BL. Tel: 01481 727714
- R. Livesey**, 1 Franklands Drive, Ribbleton, Preston, Lancs PR2 6RX. Tel: 01772 791924 hondabobs@btinternet.com
- J. Macaskill**, 2 Highcross Road, Marden Farm Estate, North Shields, Tyne & Wear NE30 3JG. Tel: 0191 4917777
- P. Maddocks**, Faaie Ny Cabbal, Kirk Michael, Isle of Man, IM6 2HW. Tel: 07624 417188
- D. Mallon**, 2 Grange Cottages, Longhirst, Morpeth, Northumberland NE61 3LG. Tel: 01670 515720/07732 341329
- C. Martin**, Smallmeads, Cracknore, Hard Lane, Marchwood, Southampton, SO40 4UT. Tel: 01425 48015
- D. May**, 14 Elm Grove, Ebrington, Chipping Camden, Gloucester GL55 6PE. Tel: 01386 701302
- J. McCubbin**, 5 The Greswoldes, Radford Semele, Leamington Spa, Warwickshire CV31 1TP. Tel: 01926 889204
- J. McEntee**, 39 Ravenswood Avenue, Rock Ferry, Birkenhead CH42 4NY. Tel: 01516 450747
- C. McGahan**, 40 Market Street, Peel, Isle of Man, IM5 1AE. Tel: 07624 347775
- C. McKenzie**, 127 Sydney Street, Brightlingsea, Colchester, Essex CO7 0BD.
- J. McNee**, 24 Second Avenue, Onchan, Isle of Man, IM3 4LE. Tel: 07624 429859
- T. Miller**, 30 Highfield Gardens, Grays, Essex RM16 2NU. Tel: 01375 373519
- F. Moon**, 4 Chevet View, Royston, Barnsley, South Yorkshire S71 4SA. Tel: 01226 701539
- T. Morgan**, Seonag, 23 Brackley Way, Totton, Southampton, Hampshire SO40 3HP. Tel: 07920 065998
- I. Murphy**, Thie Roarbrae, 11 Sileau Curn Park, Kirk Michael, Isle of Man IM6 1EH.
- S. Nolan**, 127 Springfield Avenue, Brough, Hull, East Yorkshire HU15 1BY. Tel: 01482 669121
- G. Noyce**, 26 Michaels Way, Fair Oak, Eastleigh, Hampshire SO50 7NT. Tel: 07860 523578
- P. Page**, 33 Baldock Road, Stotfold, Hitchin, Herts, SG5 4PB. Tel: 07981 575791
- M. Pattison**, 6 Hillcroft Rise, Douglas, Isle of Man IM2 7EE. Tel: 01624 627431
- B. Pedley**, 121 Trinity Road, Amblecote, Stourbridge, West Midlands DY8 4LZ.
- F. Pettit**, 34 Russet Way, Melbourn, Royston, Herts SG8 6HF.
- L. Pettit**, 34 Russet Way, Melbourn, Royston, Herts SG8 6HF.
- T. Pettitt**, The Nook, Roman Road, Bleadon, Weston Super Mare, Somerset BS24 0AB.
- A. Pugh**, 25 Syston Grove, Lincoln LN5 8TJ. Tel: 01522 856584
- I. Ramsdale**, 118 Rustenberg Street, Newbridge Road, Hull, East Yorkshire, HU9 2PS. Tel: 07588 823121
- B. Redmayne**, 19 St Pauls Close, Low Moor, Clitheroe, Lancs BB7 2NA.
- J. Ridout**, 2 Mona Street, Peel, Isle of Man IM5 1HJ. Tel: 01624 685096
- B. Roberts**, 32 Danybryn, Brynsadler, Pontyclun CF72 9DH. Tel: 01443 224835
- J. Rowe**, Glen Darragh, Ballanard Road, Douglas, Isle of Man IM2 5PR. Tel: 01624 676506
- P. Rowlings**, 78 Hampton Drive, Newport, Shropshire TF10 7RF.
- G. Russell**, Houndshill Cottage, Banbury Road, Eppingdon, Stratford, Upon Avon, CV37 7NS. Tel: 01953 850677
- M. Sabine**, 16 Molescroft Way, Tonbridge, Kent TN9 2QN. Tel: 01732 508928
- P. Sanderson**, 110 Calrendon Park Road, Leicester, LE2 3AE. Tel: 01162 204352
- S. Scott**, Rozel, The Reddings, Cheltenham, Gloucester, GL51 6PR. Tel: 01242 700115
- T. Shelton**, 49 Jubilee Road, Shelton Lock, Derby DE24 9FF. Tel: 01332 281149
- Sarah Smart**, 3 Priory Avenue, Swavesey, Cambridge CB24 4RY. Tel: 01954 232440
- Stuart Smart**, 3 Priory Avenue, Swavesey, Cambridge CB4 5RY.

- J. Smith**, 204 Charnwood Road, Shepshed, Loughborough, Leicester, LE12 9NR. Tel: 01509 505090
- K. Spencer**, Sea Deep Cottage, 4 Shore Road, Laxey, Isle of Man IM4 7DJ.
- D. Stewart**, Thundersport House, Mallory Park Circuit, Kirkby Mallory, Leicester, LE9 7QE. Tel: 01455 842600
- D. Stone**, 41 Hurst Green, Brightlingsea, Colchester, Essex CO7 0EZ. Tel: 07850 213596
- P. Stone**, 14 Rachael Clarke Close, Corringham, Stanford le Hope, Essex, SS17 7ST. Tel: 01375 679161
- R. Sykes**, LMB Britannia Mills, North Crescent, London E16 4TG. Tel: 07710 615183
- H. Taggart**, 3 Eskdale Road, Onchan, Isle of Man IM3 2AL. Tel: 01624 676238
- P. Taylor**, 408 Southcoates Lane, Hull HU9 3TR. Tel: 01482 707952
- D. Twynham**, 24 Handleys Close, Ryton on Dunsmore, Coventry CV8 3FG. Tel: 02476 301058
- B. Walker**, 106 Jubilee Road, Sutton in Ashfield, Derbyshire, NG17 2DD. Tel: 07773 194721
- D. J. Wardle**, 6 Langford Road, Arnold, Nottingham NG5 7HR. Tel: 0115 9204414
- J. Ward**, 3 Fairways Court, Leicester Road, Hinckley, Leicester, LE10 3DR. Tel: 07979 916423
- P. Warriner**, 6 Close Quirk, Douglas, Isle of Man IM2 2HN.
- W. Watterson**, 52 Ballamaddrell, Port Erin, Isle of Man IM9 6BA. Tel: 01624 834460
- J. Wilson**, 13 Watchet Lane, Holmer Green, High Wycombe, Bucks HP15 6UA. Tel: 01494 711210
- K. Wilson**, 102 Waddicar Lane, Melling, Liverpool L31 1DY. Tel: 07836 506761
- J. Woods**, 4 Queens Road, Ashton under Lyne, Lancs, OL6 8EQ. Tel: 01613 445416
- A. Wright**, Timbercliffe Farm, Timbercliffe, Littleborough, Lancs, OL15 9QN. Tel: 01706 379684
- D. Young**, 29 The Crescent, Bomere Heath, Shrewsbury, Shropshire SY4 3PQ. Tel: 01939 290159
- C. Bastick**, Pear Tree Farm, Cooks Drove, West Row, Bury St Edmunds, Herts, IP28 8QL. Tel: 07815 826133
- I. Beech**, Gorsebank, Cranstal, Bride, Isle of Man IM7 4BS.
- S. Bertie-Roberts**, 2 Close De Bosdet, La Petite, Route Des Mielles, St Brelade, Jersey, JE3 8RB. Tel: 07797 924027
- I. Berwick**, 23 Tymmes Place, Haskerton, Woodbridge, Suffolk, IP13 6JD. Tel: 07976 095393
- C. Boniface**, 44 Southampton Street, Farnborough, Hampshire GU14 6BG. Tel: 07812 924510
- S. Brace**, 33 Patricia Gardens, Bishop's Stortford, Herts CM23 3QE. Tel: 01279 652739
- P. Brown**, 9 Admirals Hard, Plymouth PL1 3RJ. Tel: 07778 740014
- R. Brown**, 66 Bramble Rise, Brighton, Sussex BN1 5GF. Tel: 01273 504243
- Terence Brown**, 92 Langtoft Road, Stroud, Gloucester GL5 1NJ. Tel: 07827 298527
- A. Brown**, 20 Albany Drive, Walton le Dale, Preston, Lancs, PR5 4TY. Tel: 07863 557183
- S. Buckingham**, 9 Foxway, Barham, Canterbury, Kent CT4 6QJ. Tel: 01227 831645
- P. Burton**, 6 Windmill Way, Reigate, Surrey RH2 0JA. Tel: 01737 211642
- D. Cadney**, 14 Tills Close, Sprowston, Norwich, Norfolk NR6 7QS. Tel: 01603 402069
- M. Chapman**, Cooil Veg, 14 Cronk Drean, Douglas, Isle of Man IM2 6AY. Tel: 01624 611341
- G. Clark**, Tamarind, Les Adams, St Pierre du Bois, Guernsey GY7 9LJ. Tel: 01481 710881
- W. Clucas**, 11 Derby View, Castletown, Isle of Man IM9 1BZ. Tel: 01624 824005
- C. Cooper**, 1 Station Cottages, St Oswalds Road, Fulford, York YO10 4PF. Tel: 07821 445606
- W. Cohu**, Varykino, Les Friquets, Vale, Guernsey GY3 5SA. Tel: 01481 245569
- B. Crump**, Ballacraigne, Higher Heath, Whitchurch, Shropshire, SY13 2HH. Tel: 01948 840674
- R. Cutress**, 5 Coniston Drive, Aylesham, Canterbury, Kent CT3 3HZ.
- D. Davis**, 3 Marlborough Road, Wroughton, Swindon, Wilts SN4 0RX. Tel: 01793 812327
- A. Deeks**, c/o 50 Colchester Road, Great Totham, Maldon, Essex CM9 8DG. Tel: 07800 756163

OFF ROAD

- B. Amos**, 28 Knighton, Adbaston, Stafford ST20 0QH. Tel: 01952 217374

- M. Deeks**, 50 Colchester Road, Great Totham, Maldon, Essex CM9 8DG. Tel: 01621 890962
- P. Eaton**, 74 Winchester Avenue, Waterloo, Liverpool L22 2AT. Tel: 07950 726848
- Brian Edwards**, Courtfield, Ashill, Cullompton, Devon EX15 3NH. Tel: 01884 840078
- Brian M. Edwards**, Fairview, Knatts Valley Road, Knatts Valley, Sevenoaks, Kent TN15 6XY. Tel: 01474 852155
- C. Edwards**, 157 Queens Walk, Peterborough, PE2 9AJ. Tel: 07933 777209
- M. Elliott**, 23 Thornhill Drive, Shipley, West Yorkshire, BD18 1BA. Tel: 07970 291439
- R. Emmerson**, 80 Station Road, Scalby, Scarborough, North Yorkshire YO13 0QG. Tel: 01723 367708
- M. Evans**, 12 Rilshaw Lane, Winsford, Cheshire, CW7 3DJ. Tel: 07805 077204
- S. Flowers**, 6 Loak Road, Albrighton, Wolverhampton, WV7 3HT. Tel: 01902 744505
- C. Freestone**, 88 Morningside Close, Allenton, Derby, DE24 9JP. Tel: 01332 691542
- A. Garrod**, The Granary, 6 Ash Road, Lower Hacheston, Woodbridge, Suffolk IP13 0AA.
- G. Garrod**, 56 Dallinghoo Road, Wickham Market, Woodbridge, Suffolk IP13 0RY.
- P. Garrod**, 7 Ickworth Crescent, Rushmere St Andrew, Ipswich, Suffolk IP4 5PQ.
- A. Gosden**, 2 Cliff View, Winford Road, Newchurch, Isle of Wight PO36 0LZ. Tel: 01983 865495
- A. Graily**, 107 Marton Road, Bridlington, East Yorkshire YO16 7PX. Tel: 07901 995606
- R. Griffiths**, 38 Gordon Road, Oundle, Peterborough, Cambs, PE8 4LD. Tel: 01832 272037
- R. Groves**, 2 Woodlands, Newbridge-on-Wye, Builth Wells, Powys LD2 3SB. Tel: 01597 860471
- M. Halliday**, 15 The Nook, Chilwell, Beeston, Nottingham, NG9 5AB. Tel: 01159 135757
- G. Hayes**, 9 Pencross View, Hemyock, Cullompton, Devon, EX15 3XH. Tel: 01823 680921
- D. Haynes**, 61 Waterloo Street, Leamington Spa, Warwickshire CV31 1JU.
- E. Herd**, 10 Malthouse Lane, Burgess Hill, West Sussex RH15 9XA. Tel: 07803 602400
- B. Hewlett**, 12 Chapel Road, Kempsey, Worcester WR5 3JT. Tel: 01905 820096
- B. Hewson**, 12 Greenfield Crescent, Waterlooville, Hants, PO8 9EH. Tel: 02392 592919
- B. Higgins**, Sunnycote, Mary Tavy, Tavistock, Devon PL19 9QB. Tel: 01822 614355
- D. Holmes**, 31 Close Road, Nether Heyford, Northampton, NN7 3LW
- G. Holmes**, 24 Chaucer Road, Rugby, Warwickshire, CV22 5RP. Tel: 01788 815719
- J. Holmes**, 3 Kent Avenue, Jacksdale, Nottingham, NG16 5LS. Tel: 01773 608141
- O. Holmes**, 3 Le Close Vaze, St Johns Road, St Hellier, Jersey JE2 3BD
- G. Howard**, Cushag, Ballabenna Lane, Lower Foxdale, Isle of Man IM4 3AZ.
- L. Hubbard**, 18 Keswick Drive, Rushden, Beds, NN10 0JJ. Tel: 01525 851503
- D. Hughes**, Castle Cottage, 2 Castle Causeway, Sleaford, Lincs NG34 7QN. Tel: 01529 307253
- R. Humphrey**, 11 Shepherds Avenue, Earley, Reading, Berks RG6 1AY.
- A. Hunt**, 6 The Crescent, Oakridge Lynch, Stroud, Gloucester GL6 7NP. Tel: 01453 811754
- M. Ing**, 17 Highwood Lawn, Havant, Portsmouth, Hampshire PO9 4HL. Tel: 02392 455084
- S. Knox**, 26c Radbourne Road, Balham, London SW12 0EF.
- C. Laman**, 6 Miller Road, Wheatley, Oxford OX33 1XB. Tel: 01865 876396
- F. Law**, 12a Fleckney Road, Kibworth, Leicester, LE8 0HE. Tel: 01162 796883
- R. Leivars**, Hazel Glen, Paris Street, St Peter Port, Guernsey GY1 2BL. Tel: 01481 727714
- C. Luce**, 20 Place Le Gallais, Rue Des Pres, St Saviour, Jersey, JE2 7GW. Tel: 01534 482832
- K. Madeley**, Glen Haven, Abermule, Montgomery, Powys SY15 6ND. Tel: 01938 555785
- V. Madeley**, Greenfields, Kerry, Newtown, Powys SY16 4LH. Tel: 01686 670596
- C. Martin**, Smallmeads, Cracknore Hard Lane, Marchwood, Southampton, SO40 4UT. Tel: 01425 48015
- I. Mason**, Crossways, The Bypass, Church Stretton, Shropshire SY6 6PQ. Tel: 01694 722626

- C. McKenzie**, 127 Sydney Street, Brightlingsea, Colchester, Essex CO7 0BD.
- P. Micklewright**, 1 Goodwood Crescent, Gravesend, Kent DA12 5EZ.
- C. Moseley**, 78 St James Road, Oldbury, West Midlands, B69 2DX. Tel: 07957 305970
- A. Mounstevens**, 39 Mortimer Road, Filton, Bristol, BS34 7LE. Tel: 01179 699648
- I. Murphy**, Thie Roarbrae, 11 Sileau Curn Park, Kirk Michael, Isle of Man IM6 1EH.
- M. Nickerson**, 58 Moorgate Road, Dereham, Norfolk, NR19 1NT. Tel: 01362 698746
- S. Nolan**, 127 Springfield Avenue, Brough, Hull, East Yorkshire HU15 1BY. Tel: 01482 669121
- G. Noyce**, 26 Michaels Way, Fair Oak, Eastleigh, Hampshire SO50 7NT. Tel: 07860 523578
- J. O'Reilly**, 41 Rennie Crescent, Cheddleton, Leek, Staffs ST13 7HD.
- A. Pearce**, 20 Courtlands Road, Tavistock, Devon PL19 0EF.
- A. Pearce**, 20 Grimscott Estate, Launcells, Bude, Cornwall EX23 9LW. Tel: 01288 381516
- J. Percival**, 7 Callow Crescent, Minsterley, Shrewsbury, Shropshire SY5 0BY. Tel: 01743 791181
- A. Pugh**, 25 Syston Grove, Lincoln LN5 8TJ. Tel: 01522 856584
- J. Radcliff**, 3 Silverdale Close, Leyland, Preston, Lancs PR25 3BY. Tel: 01772 463225
- B. Redmayne**, 19 St Pauls Close, Low Moor, Clitheroe, Lancs BB7 2NA.
- C. Reeves**, 80 Pen-y-Maes Gardens, Holywell, Flintshire, CH8 8BU. Tel: 01352 713010
- J. Ridout**, 2 Mona Street, Peel, Isle of Man IM5 1HJ. Tel: 01624 685096
- M. Rolland**, Flat 3 Beauvoir, La Route Du Petit Port, St. Brelade, Jersey JE3 8HH.
- J. Sayer**, Hylands, Dunmow Road, Thaxted, Dunmow, Essex CM6 2NX. Tel: 01799 510331
- S. Scott**, Rozel, The Reddings, Cheltenham, Gloucester, GL51 6PR. Tel: 01242 700115
- D. Smith**, Pendre Cottage, Clawdd Lane, New Radnor, Presteigne LD8 2TA. Tel: 01544 350551
- K. Spencer**, Sea Deep Cottage, 4 Shore Road, Laxey, Isle of Man IM4 7DJ.
- P. Steadman**, Henfield Farm, The Hallows, Coalpit Heath, Bristol, BS36 2UU. Tel: 01179 570997

- R. Sullivan**, 69 Caulfield Road, Swindon, Wilts, SN2 8BT. Tel: 01793 531831
- P. Taylor**, 408 Southcoates Lane, Hull HU9 3TR. Tel: 01482 707952
- A. Thompson**, 8 Bluebell Close, Biddulph, Stoke on Trent, Staffs, ST8 6TJ. Tel: 01782 518549
- B. Turner**, 32 Oakroyd Avenue, Dunmow, Essex CM6 1HG. Tel: 01371 876934
- B. Walker**, 106 Jubilee Road, Sutton in Ashfield, Derbyshire, NG17 2DD. Tel: 07773 194721
- C. Warren**, 29 Longmead, Liss, Hampshire GU33 7JX. Tel: 02392 420520
- A. Watson**, Tatsfield Garage, Paynesfield Road, Tatsfield, Westerham, Kent TN16 2AT.
- W. Watterson**, 52 Ballamaddrell, Port Erin, Isle of Man IM9 6BA. Tel: 01624 834460
- A. Worrall**, 39 Talbot Road, Dunham On The Hill, Frodsham, Cheshire, WA6 0JW. Tel: 01928 724575
- B. Worrall**, 39 Talbot Road, Dunham On The Hill, Frodsham, Cheshire, WA6 0JW. Tel: 01928 724575
- A. Wright**, Timbercliffe Farm, Timbercliffe, Littleborough, Lancs, OL15 9QN. Tel: 01706 379684
- D. Young**, 29 The Crescent, Bomere Heath, Shrewsbury, Shropshire SY4 3PQ. Tel: 01939 290159

MEASURERS

- G. Alcock**, 2 Station Lane, Farnsfield, Newark, Notts NG22 8LA. Tel: 01623 518213
- J. Alcock**, 2 Station Lane, Farnsfield, Newark, Notts NG22 8LA. Tel: 01623 518213
- M. Allan**, 32 Lime Tree Avenue, Retford, Notts, DN22 7BA. Tel: 01777704055
- K. Allen**, Ap Trow, Birsay, Orkney, KW17 2LT. Tel: 07501 777169
- B. Amos**, 28 Knighton, Adbaston, Stafford ST20 0QH. Tel: 01952 217374
- M. Bamford**, 17 Factory Lane, Peel, Isle of Man IM5 1NA. Tel: 07624 229206
- L. Bibby**, 6 Berwick Ave, Eastham, Merseyside CH62 8EP.
- P. Boast**, 2 Farm Cottages, Saxby, Market Rasen, Lincs, LN8 2DHTel: 01673 878426
- D. Bosendorfer**, Spindleberry, Stoney Road, Douglas, Isle of Man IM2 5AL.
- S. Brace**, 33 Patricia Gardens, Bishop's Stortford, Herts, CM23 3QE. Tel: 01279652739

- M. Branton**, Flat 2 11 East Park Avenue, Hull, HU8 9AD. Tel: 07784 271243
- A. Brown**, 20 Albany Drive, Walton le Dale, Preston, Lancs PR5 4TY.
- P. Brown**, 9 Admirals Hard, Plymouth PL1 3RJ.
- T. Brown**, 3 Forgefields, Herne Bay, Kent CT6 7TB. Tel: 01227 364332
- T. Brown**, 92 Langtoft Road, Stroud, Gloucester, GL5 1NJ. Tel: 07827 298527
- T. Burton**, Briarlea, Clawdd Lane, New Radnor, Presteigne LD8 2TU. Tel: 01544 350242
- E. Carter**, 18 Coniston Close, Heathersett, Norwich, Norfolk NR9 3QB. Tel: 01603 810301
- M. Chapman**, Cooil veg, 14 Cronk Drean, Douglas, Isle of Man IM2 6AY. Tel: 01624 611341
- A. Cheadle**, 50 Hollybrook Way, Littleover, Derby DE23 3TU.
- W. Clarke**, 41 Upton Road, Atherton, Manchester M46 9RQ. Tel: 01942 873395
- W. Clucas**, 11 Derby View, Castletown, Isle on Man IM9 1BZ. Tel: 01624 824005
- D. Cockerill**, 21 Sussex Street, Scarborough, North Yorkshire YO11 1BJ. Tel: 01723 353541
- D. Corlett**, White Lodge, Sulby Glen, Sulby, Isle of Man, IM7 2BB.
- D. Corrin**, 9 Marion Court, Onchan, Isle of Man IM3 1HY. Tel: 01624 614178
- H. Cullen**, Raymar, 84 Woodlands Estate, Blean, Canterbury, Kent CT2 9JN. Tel: 01227 472609
- P. Cullen**, 6 Warland Road, West Kingsdown, Sevenoaks, Kent TN15 6LD. Tel: 07803 083881
- J. Davies**, 32 Glamis Close, Walderslade, Chatham, Kent ME5 7QQ.
- D. Davis**, 3 Marlborough Road, Wroughton, Swindon, Wilts SN4 0RX. Tel: 01793 812327
- A. Deeks**, c/o 50 Colchester Road, Great Totham, Maldon, Essex CM9 8DG. Tel: 01621 890962
- B. Downey**, 118 Watterson Lane, Douglas, Isle of Man IM2 6ND. Tel: 01624 692860
- M. Eaton**, 5 Warbler Close, Lordswood, Southampton, Hampshire SO16 8HT.
- P. Eaton**, 74 Winchester Avenue, Waterloo, Liverpool L22 2AT. Tel: 07950 726848
- C. Edward**, 157 Queens Walk, Peterborough, PE2 9AJ. Tel: 07933 777209
- R. Emmerson**, 80 Station Road, Scalby, Scarborough, North Yorkshire YO13 0QG. Tel: 01723 367708
- T. Fairbrother**, 14 Spring Grove Road, Kidderminster, Worcester DY11 7JA. Tel: 0121 3223165
- J. Fletcher**, The Oaks, 18 The Ridgeway, Astwood Bank, Redditch, Worcs B96 6LT. Tel: 01527 893687
- C. Freestone**, 88 Morningside Close, Allenton, Derbyshire, DE24 9JP. Tel: 01332 691542
- A. Garrod**, The Granary, 6 Ash Road, Lower Hacheston, Woodbridge, Suffolk, IP13 0AA.
- H. Garton**, Sundown, Ballanard Road, Douglas, Isle of Man IM2 5PW. Tel: 01624 625140
- P. Gates**, Foxgloves, Kingswood Road, Hillesley, Wotton-under-Edge, Gloucester GL12 7RB. Tel: 01453 844679
- P. Gaunt**, 1 Mountain View, Ballaugh, Isle of Man IM7 5EW. Tel: 01624 896120
- J. Godley**, 21 Sandown Avenue, Mickleover, Derby DE3 0QQ. Tel: 01332 514680
- H. Gordon**, 2 Beech Drive, St. Ives, Huntingdon, Cambs PE27 6UB. Tel: 01480 469731
- R. Griffiths**, Meas Celyn Bungalow, Brecon Road, Crickhowell, Powys NP8 1SF. Tel: 07866 857387
- D. Hail**, New Mill Farm, Ponsonby, Seascale, Cumbria CA20 1BG.
- M. Hammond**, 48 Desmond Avenue, Hull, Yorkshire HU6 7JX. Tel: 01482 219999
- L. Harris**, 2 Middleton Close, Norwich, Norfolk, NR3 3QE. Tel: 07796 360177
- T. Harris**, 2 Middleton Close, Norwich, Norfolk, NR3 3QE. Tel: 07585 335043
- E. Herd**, 10 Malthouse Lane, Burgess Hill, West Sussex RH15 9XA. Tel: 07803 602400
- C. Hibberd**, Apt 1 Falconcliff Apartments, 9/10 Palace Road, Douglas, Isle of Man IM2 4LD. Tel: 01624 614279
- B. Higgins**, Sunnycote, Mary Tavy, Tavistock, Devon PL19 9QB. Tel: 01822 614355
- S. Hill**, 8 Lime Avenue, Breadsall, Derby DE21 4GD. Tel: 01332 594105
- D. Holmes**, 24 Kenmore Avenue, Cleckheaton, West Yorkshire BD19 3YA. Tel: 01274 865946
- A. Homes**, 7 Arless Way, Birmingham B17 ORD. Tel: 0121 4276474
- G. Howard**, Cushag, Ballabenna Lane, Lower Foxdale, Isle of Man IM4 3AZ.

- A. Hunt**, 6 The Crescent, Oakridge Lynch, Stroud, Gloucester, GL6 7NP Tel: 01452 811754
- C. Hurst**, 26 Thorns Road, Astley Bridge, Bolton, Lancashire BL1 6NX. Tel: 01204 300410
- C. Ivory**, 3 Lezayre Park, Ramsey, Isle of Man IM8 2PS.
- H. Januszewski**, 46 Alfreton Road, Little Eaton, Derby, DE21 5DD. Tel: 01332 833485
- E. Jones**, 18 Chapel Street, Astwod Bank, Redditch B96 6DA. Tel: 01527 893392
- N. Jones**, 2 Pentwyn, Radyr, Cardiff CF15 8RE. Tel: 07860 532876
- R. Jones**, 5 Daneacre Road, Radstock, Somerset BA3 3JS. Tel: 01761 437179
- I. King**, 11 Cockhall Close, Littington, Royston, Herts SG8 0RB. Tel: 01763 853985
- P. King**, 3 Branston Avenue, Barrow Upon Soar, Loughborough, Leicester LE12 8XL. Tel: 01509 416369
- J. Kirby**, 15 Bowness Close, Onchan, Douglas, Isle of Man IM3 2DJ. Tel: 01624 625922
- S. Knox**, 26c Radbourne Road, Balham, London SW12 0EF.
- N. Lamont**, Hillberry, 40 Seafield Court, Ardossan, Ayrshire KA22 8NS. Tel: 01294 466346
- A. Lane**, 78 Ollerton Road, Ordsall, Retford, Notts DN22 7TH. Tel: 01777 701103
- C. Lavender**, 55 The Woodlands, Melbourne, Derby DE73 8DQ. Tel: 01332 696970
- R. Livesey**, 1 Franklands Drive, Ribbleton, Preston, Lancs PR2 6RX. Tel: 01772 791924 hondabobs@btinternet.com
- P. Maddocks**, 2 Faaie Ny Cabbal, Kirk Michael, Isle of Man, IM6 2HW.
- J. Marchment**, The Peddyr, Glen Vine Road, Glen Vine, Isle of Man IM4 4HG. Tel: 01624 851754
- J. McKay**, 14 Windsor Road, Ramsey, Isle of Man IM8 3EG.
- C. McKenzie**, 127 Sydney Street, Brightlingsea, Colchester, Essex CO7 0BD.
- L. Miller**, Cedar Lodge, Main Road, Union Mills, Douglas, Isle of Man IM4 4LW.
- C. Moram**, Garonne, Hay Lane, Fulmer, Slough, Berkshire SL3 6HJ. Tel: 01753 662306
- G. Noyce**, 26 Michaels Way, Fair Oak, Eastleigh, Hampshire SO50 7NT. Tel: 07860 523578
- J. O'Reilly**, 41 Rennie Crescent, Cheddleton, Leek, Staffs ST13 7HD.
- T. Pettit**, The Nook, Roman Road, Bleadon, Weston Super Mare, Somerset, BS24 0AB. Tel: 01934 815432
- J. Phillips**, 14 Windsor Road, Ramsey, Isle of Man IM8 3EG.
- J. Radcliff**, 3 Silverdale Close, Leyland, Preston, Lancs PR25 3BY. Tel: 01772 463225
- I. Ramsdale**, 118 Rustenburg Street, Newbridge Road, Hull, East Yorkshire, HU9 2PS. Tel: 07588 823121
- J. Ray**, Serrekunda, Coast Road, Jurby West, Ramsey, Isle of Man IM7 3AY.
- B. Redmayne**, 19 St Pauls Close, Low Moor, Clitheroe, Lancs BB7 2NA.
- J. Ridout**, 2 Mona Street, Peel, Isle of Man IM5 1HJ. Tel: 01624 685096
- J. Rowe**, Glan Darragh, Ballanard Road, Douglas, Isle of Man IM2 5PR. Tel: 01624 676506
- P. Rowlings**, 78 Hampton Drive, Newport, Shropshire TF10 7RF.
- G. Russell**, Houndshill Cottage, Banbury Road, Ettington, Stratford, Upon Avon, CV37 7NS. Tel: 01953 850677
- J. Sayer**, Hylands, Dunmow Road, Thaxted, Dunmow, Essex, CM6 2NX. Tel: 01799 510331
- T. Shelton**, 49 Jubilee Road, Shelton Lock, Derby DE24 9FF. Tel: 01332 281149
- D. Smith**, 1 St Annes Drive, New Hedges, Tenby, Pembrokeshire SA70 8TG. Tel: 07917 273403
- K. Spencer**, Sea Deep Cottage, 4 Shore Road, Laxey, Isle of Man IM4 7DJ.
- D. Stone**, 41 Hurst Green, Brightlingsea, Colchester, Essex CO7 0EZ. Tel: 07850 213596
- P. Stone**, 14 Rachael Clarke Close, Corringham, Stanford le Hope, Essex SS17 7ST.
- R. Sullivan**, 69 Caulfield Road, Swindon, Wiltshire SN2 8BT. Tel: 01793 531831
- A. Summers**, 101 Friar Park Road, Wednesbury, West Midlands WS10 0JR. Tel: 07842 692008
- B. Taylor**, 32 Church Road, Fordham, Colchester, Essex CO6 3NE. Tel: 01206 240168
- N. Taylor**, 100 Allington Way, Maidstone, Kent ME16 0HN. Tel: 01622 693975
- P. Taylor**, 408 Southcoates Lane, Hull HU9 3TR. Tel: 01482 707952

- J. Walker**, BDK, Ashwellthorpe Ind Est, Ashwellthorpe, Norwich, Norfolk NR16 1ER. Tel: 01508 481713
- D. Wardle**, 6 Langford Road, Arnold, Nottingham NG5 7HR. Tel: 0115 920 4414
- J. Wardle**, C/o 6 Langford Road, Arnold, Nottingham, NG5 7HR.
- A. Watson**, Tatsfield Garage, Paynesfield Road, Tatsfield, Westerham, Kent TN16 2AT.
- J. Wilson**, 13 Watchet Lane, Holmer Green, High Wycombe, Bucks HP15 6UA. Tel: 01494 711210
- K. Wilson**, 102 Waddicar Lane, Melling, Liverpool, Merseyside L31 1DY. Tel: 07836 506761
- A. Woodward**, Orrisdale, Brookfield Crescent, Ramsey, Isle of Man IM8 2AG. Tel: 01624 815251
- S. Woodward**, Glion Aslin, Barregarrow, Kirk Michael, Isle of Man IM6 1HH. Tel: 01624 682380
- D. Young**, 29 The Crescent, Bomere Heath, Shrewsbury, Shropshire SY4 3PQ. Tel: 01939 290159

SOUND LEVEL TESTING

Sound Inspectors are licenced by the ACU.

SOUND INSPECTORS

Will be considered “judges of fact” with regard to sound level test results and will report to the Clerk of the Course accordingly. Clerks of the Course should take all necessary action on being notified of excessive noise by a Sound Inspector.

ROAD RACE

- M. Allan**, 32 Limetree Avenue, Retford, Nottingham DN22 7BA.
- K. Allen**, 24 Haddon Crescent, Chilwell, Nottingham NG9 5JU.
- B. Amos**, 28 Knighton, Adbaston, Stafford ST20 0QH. Tel: 01952 217374
- C. Armes**, 64 Two Saints Close, Hoveton, Norwich, Norfolk NR12 8QR. Tel: 01603 782023
- J. Aspinall**, 38 Cader Avenue, Kimmel Bay, Rhyl, Denbighshire LL18 5HY.
- S. Bateman**, 157 Carlton Avenue, Tunstall, Stoke on Trent, Staffs ST6 7HF. Tel: 01782 826111

- S. Bedford**, 11 Jubilee Way, Crowland, Lincs PE6 0JS. Tel: 07944 422112
- I. Beech**, Gorsebank, Cranstal, Bride, Isle of Man IM7 4BS.
- H. Bellars-Smith**, Gwaun Farren Farm, Gwaun Farren Road, Merthyr Tydfil, Mid Glamorgan CF47 9AP
- S. Bertie-Roberts**, 13 Clos de Mont Sejour, St Helier, Jersey JE2 4NZ.
- L. Bibby**, 6 Berwick Avenue, Eastham, Merseyside CH62 8EP.
- R. Bird**, 7 Birch Close, Killamarsh, Sheffield S21 1FW. Tel: 01142 477101
- A. Bond**, 16 Heulwen Close, Hope, Wrexham LL12 9PR Tel: 01978 760415
- D. Bosendorfer**, Spindleberry, Stoney Road, Douglas, Isle of Man IM2 5AL.
- M. Branton**, 11 East Park Avenue, Hull HU8 9AD. Tel: 07784 271243
- C. Breen**, 5 Donnington Way, Saltney, Chester CH4 8BR Tel: 07929 904494
- J. Brennan**, 75 Harewood Road, Coventry CV5 8BS Tel: 02476 272694
- Paul Brown**, 9 Admirals Hard, Plymouth PL1 3RJ.
- Tim Brown**, 3 Forgefields, Herne Bay, Canterbury, Kent CT6 7TB.
- E. Bryant**, 12 Bakers Lane, Bassingham, Lincoln LN5 9HD. Tel: 01522 789359
- G. Burden**, Brookside, Glen Road, Laxey, Isle of Man, IM4 7AB
- A. Campbell**, 5 Cammore Gardens, Kirkcaldy, Fife KY12 6XR Tel: 01592 595187
- W. Carruthers**, 20 Dan yr Heol, Penywaun, Aberdare, Mid Glamorgan CF44 9DY. Tel: 07852 917958
- E. Carter**, 18 Coniston Close, Hethersett, Norwich, Norfolk NR9 3QB. Tel: 01603 810301
- M. Chapman**, Cooill Veg, 14 Cronk Drean, Douglas, Isle of Man IM2 6AY.
- A. Cheadle**, 50 Hollybrook Way, Littlelover, Derby DE23 3TU.
- G. Clark**, Tamarind, Les Adams, St Pirre du Bois, Guernsey GY7 9LJ. Tel: 01481 710881
- J. Clark**, 7 Hanbury Avenue, Hattton, Derby DE65 5HG. Tel: 07784 133664
- W. Clarke**, 41 Upton Road, Atherton, Manchester M46 9RQ. Tel: 01942 873395
- W. Clucas**, 11 Derby View, Castletown, Isle of Man IM9 1BZ. Tel: 01624 824005

- K. Coombes**, 11 East Park Avenue, Hull HU8 9AD Tel: 07784 271243
- P. Corkish**, East Baldwin, Isle of Man IM4 5EN Tel: 01624 852898
- D. Corlett**, 6 Cronk y Berry Drive, Douglas, Isle of Man IM2 6HB.
- D. Corrin**, 9 Marion Court, Onchan, Isle of Man IM3 1HY. Tel: 01624 614178
- J. Corrin**, 5 Grosvenor Road, Douglas, Isle of Man IM1 3EN.
- M. Crook**, 16 Brookway, Greasby, Wirral, Cheshire CH49 2NH. Tel: 07747 087153
- H. Cullen**, 76 Woodlands Estate, Blean, Canterbury, Kent CT2 9JN. Tel: 01227 472609
- P. Cullen**, 6 Warland Road, West Kingsdown, Sevenoaks, Kent TN15 6LD. Tel: 07803 083881
- G. Daine**, 76 Colin Avenue, Grimsby DN32 8EN. Tel: 01472 697953
- J. Davies**, 32 Glamis Close, Walderslade, Chatham, Kent ME5 7QQ Tel: 07779 598629
- D. Davis**, 3 Marlborough Road, Wroughton, Swindon, Wiltshire SN4 0RX. Tel: 01793 812327
- T. Denning**, 5 River Walk, Braddan, Douglas, Isle of Man IM4 4JT. Tel: 01624 460795
- R. Downes**, 48 Hill Crescent, Shrewsbury, Shropshire SY3 7RP. Tel: 01743 248282
- B. Downey**, 118 Watterson Road, Douglas, Isle of Man IM2 6ND Tel: 01624 692860
- R. Dowty**, The Brewers House, Castle Hill, Douglas, Isle of Man IM2 4AD. Tel: 01624 645900
- P. Eaton**, 74 Winchester Avenue, Waterloo, Liverpool L22 2AT. Tel: 07950 726848
- B. Edwards**, Fairview, Knatts Valley Road, Knatts Valley, Seven Oaks, Kent TN15 6XY. Tel: 01474 852155
- C. Edwards**, 157 Queens Walk, Peterborough, PE2 9AJ. Tel: 07933 777209
- R. Emmerson**, 80 Station Road, Scalby, Scarborough, North Yorkshire YO13 0QG. Tel: 01723 367708
- C. Freestone**, 88 Morningside Close, Allenton, Derby DE24 9JP.
- A. Garrod**, The Granary, 6 Ash Road, Lower Hacheston, Woodbridge, Suffolk IP13 0AA.
- G. Garrod**, 56 Dallinghoo Road, Wickham Market, Woodbridge, Suffolk IP13 0RY.
- H. Garton**, Sundown, Ballanard Road, Douglas, Isle of Man IM2 5PW. Tel: 01624 625140
- P. Gates**, Foxgloves, Kingswood Road, Hillesley, Wooton Under Edge, Gloucester, GL2 7RB. Tel: 01453 844679
- D. Griffiths**, 53 Dan y Deri, Abergavenny, Gwent NP7 6PL. Tel: 01873 811929
- L. Heeson**, 7 Greenway, Coppenhall, Crewe, Cheshire CW1 4JN Tel: 01270 583593
- G. Heywood**, 81 Alexandra Road, Gorseinon, Swansea SA4 4NU. Tel: 07751 884947
- C. Hibberd**, Apt 1 Falconcliff Apartments, 9/10 Palace Road, Douglas, Isle of Man IM2 4LD Tel: 01624 614279
- S. Hibberd**, Apt 1 Falconcliff Apartments, 9/10 Palace Road, Douglas, Isle of Man IM2 4LD Tel: 01624 614279
- S. Hill**, 8 Lime Avenue, Breadsall, Derby DE21 4GD. Tel: 01332 594105
- J. Hinchcliff**, 14 Sherwood Rise, Mansfield Woodhouse, Mansfield, Notts NG19 7NP. Tel: 01623 636880
- Damon Holmes**, 24 Kenmore Avenue, Cleckheaton, West Yorkshire BD19 3YA. Tel: 01274 865946
- J. Holmes**, 3 Kent Avenue, Jacksdale, Nottingham NG16 5LS. Tel: 01623 688700
- O. Holmes**, 3 Le Close Vaze, St Johns Road, St Helier, Jersey JE2 3BD Tel: 01534 874422
- R. Holmes**, 61 Big Barn Lane, Mansfield, Notts NG18 3LT.
- A. Homes**, 7 Arless Way, Harborne, Birmingham B17 0RD. Tel: 0121 4276474
- G. Howard**, Cushag, Ballabenna Lane, Lower Foxdale, Isle of Man IM4 3AZ.
- A. Hughes**, 7 Porth Cwyfan, Ty Croes, Anglesey LL63 5TG Tel: 01407 811400
- D. Hughes**, Castle Cottage, 2 Castle Causeway, Sleaford, Lincs NG34 7QN. Tel: 01529 307253
- C. Hurst**, 26 Thorns Road, Astley Bridge, Bolton, Lancashire BL1 6NX. Tel: 01204 300410
- J. Hutchinson**, 47 Sheepcote Dell Road, Holmer Green, High Wycombe, Bucks HP15 6JT. Tel: 07786 677251
- P. Hyde**, 4 Ratby Lane, Leicester Forest East, Leicester, LE3 3LF
- M. Ing**, 17 Highwood Lawn, Havant, Portsmouth, Hampshire PO9 4HL.
- C. Ivory**, 3 Lezayre Park, Ramsey, Isle of Man IM8 2PS.

- B. James**, The Meadows, Top Pasture Lane, North Wheatley, Retford, Notts DN22 9BY. Tel: 07770 351860
- H. Januszewski**, 46 Alfreton Road, Little Eaton, Derby DE21 5DD. Tel: 01332 833458
- P. Jeavons**, Manora, Penisarwaun, Caernarfon LL55 3PW Tel: 01286 870168
- E. Jones**, 18 Chapel Street, Astwood Bank, Redditch B96 6DA. Tel: 01527 893392
- Mike Jones**, Gateways, Glen Tramman, Lezayre, Isle of Man IM7 2AW. Tel: 01624 812418
- N. Jones**, 2 Pentwyn, Radyr, Cardiff CF15 8RE. Tel: 07860 532876
- R. Jones**, 5 Daneacre Road, Radstock, Somerset BA3 3JS. Tel: 01761 437179
- T. Jones**, 25 Buckingham Avenue, Vicars Cross, Chester CH3 5JR. Tel: 01244 341210
- R. Kay**, 40 Acrefield Way, Chellaston, Derby DE73 6PN. Tel: 01332 690474
- P. Kelly**, Aird Mhor, 42 Kilbury Drive, Worcester WR5 2NG.
- C. Kijo**, 26 Bowes Avenue, Dalton-le-Dale, Seaham, Co. Durham SR7 8JY. Tel: 07730 644966
- P. King**, 3 Branston Avenue, Barrow Upon Soar, Loughborough, Leicester LE12 8XL. Tel: 01509 416369
- J. Kirby**, 15 Bowness Close, Onchan, Douglas, Isle of Man IM3 2DJ. Tel: 01624 625922
- M. Kirk**, 119 Trinity Road, Stourbridge, West Midlands DY8 4LZ. Tel: 0121 5501452
- C. Knox**, 26c Radbourn Road, Balham, London, SW12 0EF Tel: 07976 837252
- S. Knox**, 26c Radbourn Road, Balham, London SW12 0EF.
- N. Lamont**, Hillberry, 40 Seafeld Court, Ardrossan, Ayrshire KA22 8NS. Tel: 01294 466346
- A. Lane**, 14 Corsham Place, Marchington, Uttoxeter, Staffs ST14 8LU Tel: 01283 820060
- M. Le Viellez**, Cleveland, La Rue De Samares, St Clement, Jersey JE2 6LZ Tel: 01534 582576
- R. Livesey**, 1 Franklands Drive, Ribbleton, Preston, Lancashire PR2 6RX. Tel: 01772 791924 hondabobs@btinternet.com
- P. Maddocks**, 2 Faaie Ny Cabbal, Kirk Michael, Isle of Man IM6 2HW Tel: 01624 870120
- J. McCubbin**, 5 The Greswoldes, Radford Semele, Leamington Spa, Warwickshire CV31 1TP. Tel: 01926 889204
- A. McGhee**, 56 Ashley Park, Onchan, Isle of Man IM3 4LS Tel: 01624 674486
- C. McKenzie**, 127 Sydney Street, Brightlingsea, Colchester, Essex CO7 0BD.
- F. Moon**, 4 Chevet View, Royston, Barnsley, South Yorkshire S71 4SA. Tel: 01226 701539
- C. Moram**, Garonne, Hay Lane, Fulmer, Slough, Berkshire SL3 6HJ. Tel: 01753 662306
- T. Morgan**, Seonag, 23 Brackley Way, Totton, Southampton, Hampshire SO40 3HP. Tel: 07920 065998
- S. Moutl**, 417 Middle Road, Gendros, Swansea SA5 8EJ. Tel: 01792 427054
- J. Muir**, 21 Pinkie Drive, Musselburgh, East Lothian EH21 7 Tel: 0131 6653600
- S. Nolan**, 127 Springfield Avenue, Brough, Hull, East Yorkshire HU15 1BY. Tel: 01482 669121
- G. Noyce**, 26 Michaels Way, Fair Oak, Eastleigh, Hampshire SO50 7NT. Tel: 07860 523578
- D. Overend**, 22 Barwell Avenue, St.Helens, Merseyside WA11 9HZ. Tel: 01744 602967
- N. Overend**, 22 Barwell Avenue, St. Helens, Merseyside WA11 9HZ. Tel: 01744 602967
- A. Overson**, Wren House, Broad Hinton, Swindon, Wiltshire SN4 9PQ. Tel: 01793 731064
- R. Pangilian**, 282 Commercial Way, London SE15 1QN Tel: 07956 009089
- S. Pateman**, 30 Aldeburgh Gardens, Colchester, Essex CO4 9XR. Tel: 01206 288248
- T. Peacock**, 6 Warland Road, West Kingsdown, Sevenoaks, Kent TN15 6LD
- A. Pearce**, 20 Courtlands Road, Tavistock, Devon PL19 0EE Tel: 07899 917005
- F. Peck**, Chibbraghin, Dalby Road, Dalby, Isle of Man IM5 3BW Tel: 01624 844238
- B. Pedley**, 121 Trinity Road, Amblecote, Stourbridge, West Midlands DY8 4LZ.
- F. Pettit**, 34 Russet Way, Melbourn, Royston, Herts SG8 6HF.
- L. Pettit**, 34 Russet Way, Melbourn, Royston, Herts SG8 6HF.
- T. Pettman**, 89 Cirrus Crescent, Riverview Park, Gravesend, Kent DA12 4QR. Tel: 01474 353392
- W. Pugh**, 145 Ammanford Road, Llandybie, Ammanford, Carmarthenshire SA18 2JY Tel: 01792 841367

- I. Ramsdale**, 118 Rustenburg Street, Newbridge Road, Hull, East Yorkshire HU9 2PS. Tel: 01482 782961
- A. Rault**, La Mare d'Angot, Rue des Monnieres, Trinity, Jersey JE3 5DE. Tel: 01534 769449
- I. Reavley**, 35 Columbia Terrace, Blyth, Northumberland NE24 3JZ. Tel: 01670 352468
- B. Redmayne**, 19 St Pauls Close, Low Moor, Clitheroe, Lancs BB7 2NA.
- D. Redmayne**, Ivydene Wheel Hill, Laxey, Isle of Man IM4 7NL. Tel: 01624 862039
- C. Redmond**, 13 Encombe Road, Wareham, Dorset BH20 4PS. Tel: 01929 554593
- J. Ridout**, 2 Mona Street, Peel, Isle of Man IM5 1HJ. Tel: 01624 685096
- C. Rowe**, Glen Darragh, Ballanard Road, Douglas, Isle of Man IM2 5PR. Tel: 01624 676506
- J. Rowe**, Glen Darragh, Ballanard Road, Douglas, Isle of Man IM2 5PR. Tel: 01624 676506
- P. Rowlings**, 78 Hampton Drive, Newport, Shropshire TF10 7RF.
- A. Russell**, Craigowmill Cottage, Milnathort, Kinross-shire KY13 ORR. Tel: 07831 646293
- M. Sabine**, 16 Molescroft Way, Tonbridge, Kent TN9 2QN. Tel: 01732 508928
- D. Shannan**, 4 Ivy Close, Southwater, Horsham, West Sussex RH13 9EF. Tel: 01403 731615
- T. Shelton**, 49 Jubilee Road, Shelton Lock, Derby DE24 9FF. Tel: 01332 281149
- J. Slaughter**, 18 Edwards Meadow, Marlborough, Wiltshire SN8 1UD.
- D. Smith**, 125 Glan-y-Ffordd, Taffs Well, Cardiff CF15 7SQ. Tel: 02920 337036
- J. Smith**, 204 Charnwood Road, Shepshed, Leicester LE12 9NR. Tel: 07746 573900
- K. Spencer**, Sea Deep Cottage, 4 Shore Road, Laxey, Isle of Man IM4 7DJ.
- D. Stone**, 41 Hurst Green, Brightlingsea, Colchester, Essex CO7 0EZ.
- P. Stone**, 14 Rachael Clarke Close, Corringham, Stanford-le-Hope, Essex SS17 7ST.
- R. Sullivan**, 69 Caulfield Road, Swindon, Wiltshire SN2 8BT. Tel: 01793 531831
- J. Sully**, 4 Wesley Court, Longfellow Crescent, Wootton Bassett, Swindon, Wilts SN4 8JZ.
- G. Taubman**, 64 Meadow Crescent, Douglas, Isle of Man IM2 1QX. Tel: 07624 485719
- J. Taubman**, 22 Conister Road, Douglas, Isle of Man IM2 6LY. Tel: 07624 498225
- B. Taylor**, 32 Church Road, Fordham, Colchester, Essex CO6 3NE. Tel: 01206 240168
- P. Taylor**, 408 Southcoates Lane, Hull HU9 3TR. Tel: 01482 707952
- S. Threlfall**, 2 Church Lane, Skelton in Cleveland, Saltburn by the Sea, North Yorkshire TS12 2HQ. Tel: 07701 012466
- L. Timms**, 131 Standon Crescent, Winconbank, South Yorkshire S9 1PN. Tel: 01142 497027
- M. Timms**, 131 Standon Crescent, Winconbank, South Yorkshire S9 1PN. Tel: 01142 497027
- D. Tritton**, 59 Aylsham Road, North Walsham, Norfolk NR28 0BL. Tel: 01692 407603
- C. Turner**, 9 The Limes, Crowhill, Plymouth PL6 5YJ. Tel: 01752 272166
- M. Turner**, Coppice Farm, Kerrowmoar, Ramsey, Isle of Man IM7 2AX. Tel: 07624 496855
- P. Wadey**, 22 Church View, Aston Magna, Moreton in Marsh, Gloucester GL56 9QJ. Tel: 01608 651996
- R. Wadey**, 22 Church View, Aston Magna, Moreton in Marsh, Gloucester GL56 9QJ. Tel: 01608 651996
- J. Ward**, 3 Fairways Court, Leicestershire Road, Hinckley LE9 3DR. Tel: 07979 916423
- D. Wardle**, 6 Langford Road, Arnold, Nottingham NG5 7HR. Tel: 01159 204414
- J. West**, 59 Brock Street, North Queensferry, Fife KY11 1JF. Tel: 01383 418212
- J. Wilson**, 13 Watchet Lane, Holmer Green, High Wycombe, Bucks HP15 6UA. Tel: 01494 711210
- K. Wilson**, 102 Waddicar Lane, Melling, Liverpool, Merseyside L31 1DY. Tel: 07836 506761
- M. Wilson**, 12 Abbots Drive, Abbotswood, Ballasalla, Isle of Man IM9 3EB. Tel: 01624 829410
- A. Wright**, Chamonix, La Ruettes D'Avranches, St Lawrence, Jersey JE3 1GJ. Tel: 07797 716680
- D. Young**, 29 The Crescent, Bomere Heath, Shrewsbury, Shropshire SY4 3PQ. Tel: 01939 290159

OFF ROAD

- T. Addison**, Seatle Barn, Field Broughton, Grange-Over-Sands, Cumbria LA11 6HT. Tel: 01593 536677

- J. Allen**, 20 College Avenue, Tavistock, Devon PL19 0HU Tel: 01822 614509
- B. Amos**, 28 Knighton, Adbaston, Stafford ST20 0QH. Tel: 01952 217374
- C. Armes**, 64 Two Saints Close, Hoveton, Norwich, Norfolk NR12 8QR. Tel: 01603 782023
- K. Armstrong**, Cattle Holme Barn, Browns Drove, Swineshead, Boston, Lincs PE20 3PX. Tel: 01205 820192
- J. Aspinall**, 38 Cader Avenue, Kimmel Bay, Rhyl, Denbighshire LL18 5HY.
- S. Bateman**, 157 Carlton Avenue, Tunstall, Stoke on Trent, Staffs ST6 7HF. Tel: 01782 826111
- S. Bedford**, 11 Jubilee Way, Crowland, Lincs PE6 0JS. Tel: 07944 422112
- I. Beech**, Gorsebank, Cranstal, Bride, Isle of Man IM7 4BS.
- A. Begbie**, 67 Slieau Curn Park, Kirk Michael, Isle of Man IM6 1EW Tel: 07624 483009
- H. Bellars-Smith**, Gwaun Farren Farm, Gwaun Farren Road, Merthyr Tydfil, Mid Glamorgan CF47 9AP
- S. Bertie-Roberts**, 13 Clos de Mont Sejour, St Helier, Jersey JE2 4NZ.
- G. Billington**, 118 Swarkestone Road, Chellaston, Derby DE73 5UD. Tel: 01332 738798
- P. Boast**, Sandbeck House, Saxby, Market Rasen, Lincs. Tel: 07711 307306
- A. Bond**, 16 Heulwen Close, Hope, Wrexham LL12 9PR Tel: 01978 760415
- M. Bourgaize**, Little Haven, Rue Mahaut, Richmond, St Saviours, Guernsey GY7 9XD. Tel: 01481 266058
- P. Boyle**, 126 Uttoxeter Road, Hill Ridware, Rugeley, Staffs WS15 3QX. Tel: 01543 492212
- C. Breen**, 5 Donnington Way, Saltney, Chester CH4 8BR Tel: 01928 534404
- A. Brown**, 20 Albany Drive, Walton le Dale, Preston, Lancs PR5 4TY.
- Paul Brown**, 9 Admirals Hard, Plymouth PL1 3RJ.
- R. Brown**, 66 Bramble Rise, Brighton, Sussex BN1 5GF Tel: 01273 504243
- Terence Brown**, 92 Langtoft Road, Stroud, Gloucester GL5 1NJ. Tel: 07827 298527
- N. Burbridge**, Le Cheval, Les Caches, St Martin, Guernsey GY4 6PW. Tel: 01481 239598
- P. Burton**, 6 Windmill Way, Reigate, Surrey RH2 0JA. Tel: 01737 211642
- T. Burton**, Briarlea, Clawdd Lane, New Radnor, Presteigne, Powys LD8 2TU.
- M Caines**, 1 Beaver Close, Penge, London SE20 8DX Tel: 07808 582218
- E. Carter**, 18 Coniston Close, Hetherset, Norwich, Norfolk NR9 3QB. Tel: 01603 810301
- R. J. Carter**, Lynton, Westward Road, Ebley, Stroud, Gloucester GL5 4TH. Tel: 01453 822707
- M. Chapman**, Cooill Veg, 14 Cronk Drean, Douglas, Isle of Man IM2 6AY.
- A. Cheeseman**, 30 Mincinglake Road, Stoke Hill, Exeter, Devon EX4 7DZ. Tel: 041626 366084
- A. Childs**, SSG, Defence Estates, HQ UKSC (G), BFPO 140.
- G. Clark**, Tamarind, Les Adams, St Pirre du Bois, Guernsey GY7 9LJ. Tel: 01481 710881
- J. Clark**, 7 Hanbury Avenue, Hattton, Derby DE65 5HG. Tel: 07784 133664
- A. Clarke**, 12 Sarsen Hights, Walderslade, Chatham, Kent ME5 9HW Tel: 01634 201268
- W. Clarke**, 41 Upton Road, Atherton, Manchester M46 9RQ. Tel: 01942 873395
- B. Clements**, 34 Westhills, Tantobie, Stanley, Co. Durham DH9 9RZ. Tel: 01207 231529
- W. Clucas**, 11 Derby View, Castletown, Isle of Man IM9 1BZ. Tel: 01624 824005
- J. Collins**, 52 Margam Road, Margam, Port Talbot, West Glamorgan SA13 2BW Tel: 01639 882241
- K. Coombes**, 11 East Park Avenue, Hull HU8 9AD Tel: 07784 271243
- D. Coombes**, 8 Goldsmith Lane, All Saints, Axminster, Devon EX13 7LU.
- P. Corkish**, East Baldwin, Isle of Man IM4 5EN Tel: 01624 852898
- D. Corrin**, 9 Marion Court, Onchan, Isle of Man IM3 1HY. Tel: 01624 614178
- J. Corrin**, 5 Grosvenor Road, Douglas, Isle of Man IM1 3EN.
- A. Crawford**, 34 Field Way, Wivenhoe, Colchester, Essex CO7 9HQ. Tel: 01206 823457
- J. Davies**, 32 Glamis Close, Walderslade, Chatham, Kent ME5 7QQ Tel: 07779 598629

- D. Davis**, 3 Marlborough Road, Wroughton, Swindon, Wiltshire SN4 0RX. Tel: 01793 812327
- A. Deeks**, c/o 50 Colchester Road, Great Totham, Maldon, Essex CM9 8DG. Tel: 07791 164914
- M. Deeks**, c/o 50 Colchester Road, Great Totham, Maldon, Essex CM9 8DG. Tel: 01621 890962
- T. Denning**, 5 River Walk, Braddan, Douglas, Isle of Man IM4 4TJ. Tel: 01624 460795
- M. Down**, 18 Barcelona Close, Andover, Hampshire SP10 1JQ.
- R. Downes**, 48 Hill Crescent, Shrewsbury, Shropshire SY3 7RP. Tel: 01743 248282
- R. Dowty**, The Brewers House, Castle Hill, Douglas, Isle of Man IM2 4AD. Tel: 01624 645900
- I. Durston**, Broadmead, Broadmead Lane, Catcott, Bridgwater, Somerset TA7 9HG. Tel: 07860 915898
- P. Eaton**, 74 Winchester Avenue, Waterloo, Liverpool L22 2AT. Tel: 07950 726848
- G. Edmunds**, Brodawel, Llanbister, Llandrindod Wells, Powys LD1 6TH. Tel: 01597 840293
- B. Edwards**, Fairview, Knatts Valley Road, Knatts Valley, Seven Oaks, Kent TN15 6XY. Tel: 01474 852155
- C. Edwards**, 157 Queens Walk, Peterborough, PE2 9AJ. Tel: 07933 777209
- R. Emmerson**, 80 Station Road, Scalby, Scarborough, North Yorkshire YO13 0QG. Tel: 01723 367708
- G. Evans**, Ty Efalld, Ystradowen, Cowbridge, CF71 7SY. Tel: 01443 207660
- T. Fairbrother**, 14 Spring Grove Road, Kidderminster, Worcester DY11 7JA. Tel: 01213 223165
- J. Filer**, 23 Rievaulx Way, Guisborough, North Yorkshire TS14 7AR. Tel: 01287 634404
- S. Filer**, 23 Rievaulx Way, Guisborough, North Yorkshire TS14 7AR. Tel: 01287 634404
- C. Freestone**, 88 Morningside Close, Allenton, Derby DE24 9JP.
- K. Fulton**, Branthwaite Rigg Barn, Branthwaite, Workington, Cumbria CA14 4RQ. Tel: 01946 861312
- A. Garrod**, The Granary, 6 Ash Road, Lower Hacheston, Woodbridge, Suffolk IP13 0AA.
- G. Garrod**, 56 Dallinghoo Road, Wickham Market, Woodbridge, Suffolk IP13 0RY.
- P. Gaunt**, 1 Mountain View, Ballaugh, Isle of Man IM7 5EW. Tel: 01624 896120
- T. Golds**, 21 Buckingham Drive, Luton, Beds LU2 9RA. Tel: 01582 407611
- J. Gordon**, 81 Royal Avenue, Onchan, Isle of Man IM3 1LA. Tel: 01624 861212
- J. Heal**, 2 Applegarth Close, Highweek, Newton Abbot, Devon TQ12 1RR. Tel: 01626 366860
- E. Herd**, 10 Malthouse Lane, Burgess Hill, West Sussex RH15 9XA. Tel: 07803 602400
- G. Heywood**, SA1 Alexandra Road, Gorseinon, Swansea SA4 4NU. Tel: 07751 884947
- B. Higgins**, Sunnycote, Mary Tavy, Tavistock, Devon PL19 9QB. Tel: 01822 614355
- C. Hindson**, 19 Blanche Terrace, Tantobie, Stanley, Co. Durham DH9 9TE. Tel: 01207 230445
- O. Holmes**, 3 Le Close Vaze, St Johns Road, St Helier, Jersey JE2 3BD. Tel: 01534 874422
- R. Holmes**, 61 Big Barn Lane, Mansfield, Notts NG18 3LT.
- G. Howard**, Cushag, Ballabenna Lane, Lower Foxdale, Isle of Man IM4 3AZ.
- A. Hughes**, 7 Porth Cwyfan, Ty Croes, Anglesey LL63 5TG. Tel: 01407 811400
- D. Hughes**, Castle Cottage, 2 Castle Causeway, Sleaford, Lincs NG34 7QN. Tel: 01529 307253
- W. Hughes**, 5 Maes Trannon, Trefeglwys, Caerws, Powys SY17 5PS. Tel: 01686 430455
- A. Hunt**, 6 The Crescent, Oakridge Lynch, Stroud, Gloucester GL6 7NP. Tel: 01453 811754
- M. Ing**, 17 Highwood Lawn, Havant, Portsmouth, Hampshire PO9 4HL.
- C. Ivory**, 3 Lezayre Park, Ramsey, Isle of Man IM8 2PS.
- V. Jarrett**, 31 Passmore Road, Bradninch, Exeter, Devon EX5 4QT. Tel: 01392 881624
- P. Jeavons**, Manora, Penisarwaun, Caernarfon LL55 3PW. Tel: 01286 870168
- A. Jenkinson**, Hill Crest, Backbarrow, Ulveston, Cumbria LA12 8QP. Tel: 01539 531766
- A. Johnson**, St Anton, Grove Avenue, Yeovil, Somerset BA20 2BB. Tel: 01935 420131
- E. Jones**, 18 Chapel Street, Astwood Bank, Redditch B96 6DA. Tel: 01527 893392
- G. Jones**, 26 Rhestr Fawr, Ystradgynlais, Swansea, SA9 1LD. Tel: 01639 845875
- Jamie Jones**, 102 Tir Capel, Dafen, Llanelli, Carmar SA14 8SP. Tel: 01554 751148

- R. Jones**, Glynderw Hafren Terrace, Llanidloes, Powys, SY18 6AT Tel: 01686 143545
- T. Jones**, 25 Buckingham Avenue, Vicars Cross, Chester CH3 5JR. Tel: 01244 341210
- R. Kay**, 40 Acrefield Way, Chellaston, Derby DE73 6PN. Tel: 01332 690474
- M. Kerruish**, Del Monique, Woodlands Avenue, Douglas, Isle of Man IM2 3QS Tel: 01624 612406
- C. Kijo**, 26 Bowes Avenue, Dalton-le-Dale, Seaham, Co. Durham SR7 8JY. Tel: 07730 644966
- A. King**, 4 Weir View, Charminster, Dorchester, Dorset, DT2 9QY Tel: 01305 251437
- S. Knox**, 26c Radbourne Road, Balham, London SW12 0EF.
- J. Kyle**, 19 Snaefell Crescent, Onchan, Isle of Man IM3 4NH Tel: 07624 499315
- C. Laman**, 6 Miller Road, Wheatley, Oxford OX33 1XB. Tel: 01865 876396
- N. Lamont**, Hillberry, 40 Seafield Court, Ardrossan, Ayrshire KA22 8NS. Tel: 01294 466346
- A. Lane**, 14 Corsham Place, Marchington, Uttoxeter, Staffs ST14 8LU Tel: 01283 820060
- M. Le Vieillez**, Cleveland, La Rue De Samares, St Clement, Jersey JE2 6LZ Tel: 01534 582576
- G. Lucas**, 34 Brookend Street, Ross on Wye, Herefordshire HR9 7EE. Tel: 01989 769191
- K. Madeley**, Glen Haven, Abermule, Montgomery, Powys SY15 6ND. Tel: 01938 555785
- Victor Madeley**, Greenfields, Kerry, Newtown, Powys SY16 4LH. Tel: 01686 670596
- Violet Madeley**, Greenfields, Kerry, Newtown, Powys SY16 4LH. Tel: 01686 670596
- K. McDavitt**, 12 Heath Hill Avenue, Brighton, Sussex BN2 4FH. Tel: 01273 601465
- A. McGhee**, 56 Ashley Park, Onchan, Isle of Man IM3 4LS Tel: 01624 674486
- C. McKenzie**, 127 Sydney Street, Brightlingsea, Colchester, Essex CO7 0BD.
- D. Meredith**, 20 Verona Court, Yeo Vale Road, Barnstaple, Devon EX32 7EN. Tel: 01271 324357
- G. Milnes**, 10 Leofric Close, Kings Bromley, Burton on Trent, Staffs DE13 7JP.
- C. Moram**, Garonne, Hay Lane, Fulmer, Slough, Berkshire SL3 6HJ. Tel: 01753 662306
- J. Muir**, 21 Pinkie Drive, Musselburgh, East Lothian EH21 7 Tel: 0131 6653600
- D. Munday**, 6 Wildern Close, Locks Heath, Southampton, Hampshire SO31 7EZ. Tel: 01489 576641
- F. Nicholson**, 9 Highbury Avenue, Springwell, Gateshead, Tyne & Wear NE9 7PX. Tel: 0191 4162041
- S. Nolan**, 127 Springfield Avenue, Brough, Hull, East Yorkshire HU15 1BY. Tel: 01482 669121
- G. Noyce**, 26 Michaels Way, Fair Oak, Eastleigh, Hampshire SO50 7NT. Tel: 07860 523578
- J. O'Reilly**, 41 Rennie Crescent, Cheddleton, Leek, Staffs ST13 7HD.
- G. O'Shaughnessy**, 1 Darby Way, Bishops Lydeard, Taunton, Somerset TA4 3BB. Tel: 07971 459338
- A. Overson**, Wren House, Broad Hinton, Swindon, Wiltshire SN4 9PQ. Tel: 01793 731064
- R. Pangilian**, 282 Commercial Way, London SE15 1QN Tel: 07956 009089
- S. Pateman**, 30 Aldeburgh Gardens, Colchester, Essex CO4 9XR. Tel: 01206 288248
- T. Peacock**, 6 Warland Road, West Kingsdown, Sevenoaks, Kent TN15 6LD
- A. Pearce**, 20 Courtlands Road, Tavistock, Devon PL19 0EF. Tel: 07899 917005
- A. Pearce**, 20 Grimscott Estate, Launceston, Cornwall EX23 0LW Tel: 01288 381516
- F. Peck**, Chibbraghin, Dalby Road, Dalby, Isle of Man IM5 3BW Tel: 01624 844238
- J. Pickering**, 1 Catteralls Lane, Whitchurch, Shropshire SY13 4DF. Tel: 07930 513108
- S. Plain**, Ivy Villa, Myddfai Road, Llandovery, Carmarthenshire, SA20 0LQ. Tel: 01597 825817
- S. Poston**, Glen Haven, Abermule, Montgomery, Powys SY15 6ND. Tel: 01938 555785
- K. Pringle**, 36 Becton Place, Erith, Kent DA8 1JN. Tel: 0208 6603728
- B. Puckett**, 32 Hoel Derwen, Cimla, Neath, West Glamorgan SA11 3YS. Tel: 01639 767851
- A. Rault**, La Mare d'Angot, Rue des Monnieres, Trinity, Jersey JE3 5DF. Tel: 01534 769449
- I. Reavley**, 35 Columbia Terrace, Blyth, Northumberland NE24 3JZ. Tel: 01670 352468
- D. Redmayne**, Ivydene Wheel Hill, Laxey, Isle of Man IM4 7NL Tel: 01624 862039

- C. Redmond**, 13 Encombe Road, Wareham, Dorset BH20 4PS. Tel: 01929 554593
- C. Reeves**, 80 Pen y Meas Gardens, Holywell, Flintshire CH8 8BU. Tel: 07894 550267
- J. Ridout**, 2 Mona Street, Peel, Isle of Man IM5 1HJ. Tel: 01624 685096
- M. Robinson**, 67 Woolley Road, Maidstone, Kent ME15 8PZ Tel: 07709 426487
- A. Russell**, Craigowmill Cottage, Milnathort, Kinross-shire KY13 0RR Tel: 07831 646293
- D. Sharp**, 3 Albemarle Street, Cockermouth, Cumbria CA13 0BG. Tel: 01900 828207
- J. Slaughter**, 18 Edwards Meadow, Marlborough, Wiltshire SN8 1UD.
- C. Smejkal**, 1 Vicarage Cottage, Shebbear, Beaworthy, Devon EX21 5RU. Tel: 01409 281240
- K. Spencer**, Sea Deep Cottage, 4 Shore Road, Laxey, Isle of Man IM4 7DJ.
- P. Steadman**, Henfield Farm, The Hollows, Coalpit Heath, Bristol BS36 2UU. Tel: 01179 570997
- J. Stevens**, Watchgate Barn, Selside, Kendal, Cumbria LA8 9JX Tel: 01539 823337
- R. Sullivan**, 69 Caulfield Road, Swindon, Wiltshire SN2 8BT. Tel: 01793 531831
- J. Sully**, 4 Wesley Court, Longfellow Crescent, Wootton Bassett, Swindon, Wilts SN4 8JZ.
- M. Sully**, Hilltops, 5 Chestnut Way, Alcombe, Minehead, Somerset TA24 6EB. Tel: 01643 821896
- A. Summers**, 101 Friar Park Road, Wednesbury, West Midlands WS10 0JR. Tel: 07842 692008
- K. Summers**, 101 Friar Park Road, Wednesbury, West Midlands WS10 0JR. Tel: 07711 957740
- E. Swan**, 10 Pendock Close, Brookfield, Middlesborough, Cleveland TS5 8HT. Tel: 01642 592423
- P. Taylor**, 408 Southcoates Lane, Hull HU9 3TR. Tel: 01482 707952
- J. Tiernan**, 47 Cedar Walk, Douglas, Isle of Man IM2 5NH Tel: 07624 458983
- S. Threlfall**, 2 Church Lane, Skelton in Cleveland, Saltburn by the Sea, North Yorkshire TS12 2HQ Tel: 07701 012466
- L. Timms**, 131 Standon Crescent, Winconbank, South Yorkshire S9 1PN Tel: 01142 497027
- M. Timms**, 131 Standon Crescent, Winconbank, South Yorkshire S9 1PN Tel: 01142 497027
- C. Turner**, 9 The Limes, Crowhill, Plymouth PL6 5YJ. Tel: 01752 272166
- M. Turner**, Coppice Farm, Kerrowmoar, Ramsey, Isle of Man IM7 2AX Tel: 07624 496855
- K. Viveash**, 8 Jasmine Close, Swindon, Wiltshire SN25 3JN. Tel: 01793 724655
- E. Wass**, 10 Knights Road, Braintree, Essex CM7 3YT. Tel: 01376 331111
- J. West**, 59 Brock Street, North Queensferry, Fife KY11 1JF Tel: 01383 418212
- E. Williams**, Three Chimneys, Llansantffraid, Powys SY22 6AX. Tel: 01691 828330
- W. Williams**, Pinecroft, Clos Dulais, Llangybi, Lampeter, Ceredigion SA48 8NB. Tel: 01570 493105
- M. Wilson**, 12 Abbots Drive, Abbotswood, Ballasalla, Isle of Man IM9 3EB Tel: 01624 829410
- G. Wooster**, Manor View, Thornhill Road, South Marston, Swindon, Wiltshire SN3 4RY. Tel: 01793 823069
- A. Wright**, Chamonix, La Ruette D'Avranches, St Lawrence, Jersey JE3 1GJ. Tel: 07797 716680
- D. Young**, 29 The Crescent, Bomere Heath, Shrewsbury, Shropshire SY4 3PQ. Tel: 01939 290159

Sound level control

For 2012 two sound test methods will be employed.

- 1 The existing static RPM test
- 2 The FIM 2Metre Max test.

Both tests are internationally approved.

STATIC TEST METHOD

The sound level meter microphone to be placed 500mm from the exhaust pipe end, at an angle of 45 degrees measured from the exhaust centre line as near as possible to the height of the exhaust end, at least 20cm above the ground.

During a sound level test, machines not equipped with a gear box neutral must be placed on a stand.

The driver shall keep his engine running out of gear and shall increase the engine speed until it reaches the specified RPM. Measurements must be taken when the specified RPM level is reached. The RPM depends upon the mean piston speed corresponding to the stroke of the engine (see the stroke/RPM table).

2 METRE MAX METHOD

The set up of the sound metre and the motorcycle.

The sound levels will be measured with the sound metre/microphone fixed on a tripod, in the horizontal position, at the rear of the motorcycle.

The sound metre will be positioned at a distance of 2 metres behind the motorcycle, with an angle of 45 degrees away from the centerline, on the exhaust side and at a height of 1.35m above the ground. The 2m distance is measured from the point where the center of the rear tyre touches the ground. The throttle is opened to maximum for no more than 1 second or before the rev limiter is reached.

It is preferred to make the tests on a soft ground, not reverberating, i.e grass or fine gravel.

The test should only be carried out after engines have been “warmed up” to operating temperature.

The ambient sound level must remain lower than 95–100 dBA.

There is no tolerance for temperature.

Whichever test method is in use temporary silencers, bypass pipes or the inclusion of temporary parts to achieve the silencing requirements are prohibited.

FIM & ACU MAXIMUM SOUND LEVELS

See current Standing Regulations

ROAD RACING AND TT SEE ROAD RACE STANDING REGULATIONS

No change to Sound tests, the existing Static RPM test will be used.

MOTOCROSS

Two tests will be in operation.

- 1 The Static RPM Test – For machines manufactured prior to 2011 and will operate until the end of 2013.
- 2 The FIM 2 Metre Max Test – For machines post 2011.

PROCEDURE

All machines shall be sound tested using the 2 Metre Max method. Machines manufactured prior to 2011 that have a silencer that exceeds the maximum limit, the final acceptance will be defined by using the static test method and the limit will be according to the list.

96 dBA for 2 strokes and 94 dBA for 4 strokes.

Operate according to the FIM method, that is, instead of using the machine piston stroke to calculate the test R.P.M., the fixed R.P.M. according to the capacity must be used, with the exception of over 500cc four strokes.

Up to 85cc	8,000 R.P.M.
Over 85cc up to 125cc	7,000 R.P.M.
Over 125cc up to 145cc	6,500 R.P.M.
Over 145cc up to 250cc	5,000 R.P.M.
Over 250cc up to 500cc	4,500 R.P.M.
Over 500cc	4,000 R.P.M.

There is no 2 stroke/4 stroke rev differential below 500cc. Due to the influence of temperatures on sound tests, all figures are correct at 20°C. For tests taken at temperatures below 10°C there will be a + 1 dBA tolerance. For tests below 0°C, a + 2 dBA tolerance. There will be a + 2 dBA tolerance allowed for post race sound tests.

MACHINES POST 2011

The FIM 2 Metre Max Test Method will be enforced as previously detailed.

The maximum sound limit accepted:

115 dBA + 1 dBA post race.

A sound level of 81 dBA at 100 metres during racing should be attained.

TRIALS & ENDURO**TRIALS**

Trials will use the static RPM test as previously detailed.

The maximum accepted sound level will 94 dBA measured at 11 m/sec, mean piston speed for both two and four stroke machines.

ENDURO

Only the 2 Metre Max test method will be used as previously detailed.

The maximum sound limit accepted will be 112 dBA plus 1 dBA post event tolerance.

A sound limit of 79 dBA at 100 metres.

GRASS TRACK, LONG TRACK & BEACH RACE

Both the FIM 2 Metre Max test and the static RPM test will be utilized as previously detailed and directed below.

CLASSES**500cc Solo and Sidecar classes**

Machines to be fitted with the 2010 FIM homologated silencer. Ref TRS 2010.

Any machine using an alternative silencer will be subject to Sound Control using the FIM 2 Metre Max test method.

250cc and 350cc Solo classes

Can use either the 2010 FIM homologated silencer or a previously approved pre 2010 homologated silencer.

Any machine using an alternative silencer will be subject to Sound Control using the static RPM test. Maximum sound level 98 dBA measured at 13 m/sec mean piston speed for two strokes machines or 11 m/sec for four stroke machines.

Pre 75 and Upright Solos classes

As for 250cc and 350cc classes as detailed above.

1000cc Sidecar class

Silencer construction is free.

Sound Control will be subject to the FIM 2 Metre Max test.

2 METRE MAX TEST

The maximum sound limit accepted will be

115 dBA plus 1 dBA post race.

A SOUND LIMIT of 81 dBA at 100 metres.

SPEEDWAY

Maximum sound level using the 2M Max Test, 115 dBA other than machines using FIM 2010 Homologated Silencers. A SOUND LEVEL OF 81 dBA AT 100 METRES.

GENERAL**STATIC RPM TEST**

The ambient sound level within a 5 metre radius from the machine being tested should be at least 10 dBA below the maximum level permitted for the discipline.

FIM 2 METRE MAX TEST

The ambient sound level within a radius of 10 metres of the machine being tested should not exceed 100 dBA.

SOUND METRES

Sound level meter minimum standard for enforcement are IEC 651 Type 2/BSI 5969 Grade 2.

SOUND CONTROL – RPM FIGURES – APPLICATION

13metres/sec – TWO STROKES i.e. Road Racing, and Grass Track where applicable.

11 metres/sec – FOUR STROKES i.e. Road Racing, Motocross and Grass Track where applicable and ALL Trials and Enduro machines (two and four stroke)

Stroke in mm	Mean Piston Speed 13m/sec	Mean Piston Speed 11m/sec	Stroke in mm	Mean Piston Speed 13m/sec	Mean Piston Speed 11m/sec
30	13000	11000	66	5909	5000
31	12580	10645	67	5820	4925
32	12187	10313	68	5735	4853
33	11818	10000	69	5652	4783
34	11470	9706	70	5571	4714
35	11142	9429	71	5492	4648
36	10833	9167	72	5416	4583
37	10540	8919	73	5342	4521
38	10263	8684	74	5270	4459
39	10000	8462	75	5200	4400
40	9750	8250	76	5132	4342
41	9512	8049	77	5065	4286
42	9285	7857	78	5000	4231
43	9069	7674	79	4937	4177
44	8863	7500	80	4875	4125
45	8666	7333	81	4815	4074
46	8478	7174	82	4756	4024
47	8297	7021	83	4699	3976
48	8125	6875	84	4643	3929
49	7959	6735	85	4588	3882
50	7800	6600	86	4535	3837
51	7647	6471	87	4483	3793
52	7500	6346	88	4432	3750
53	7358	6226	89	4382	3708
54	7222	6111	90	4333	3667
55	7090	6000	91	4286	3626
56	6964	5893	92	4239	3587
57	6842	5789	93	4194	3548
58	6724	5690	94	4149	3510
59	6610	5593	95	4105	3474
60	6500	5500	96	4063	3438
61	6393	5410	97	4021	3402
62	6290	5323	98	3980	3367
63	6190	5238	99	3939	3333
64	6093	5156	100	3900	3300
65	6000	5077			

Fuel regulations – National ACU

PURPOSE OF REGULATION

The purpose of these Articles is to ensure that the fuel used in competition is unleaded 'pump petrol' as this term is generally understood. These detailed requirements are intended to achieve this purpose whilst allowing the use of consistent petrols for racing purposes. Any petrol which appears to have been formulated in order to subvert the purpose of this regulation will be deemed to be outside it. Lead replacement petrol (LRP) is not considered to be unleaded petrol.

FUEL, FUEL/OIL MIXTURES

UNLEADED PETROL as defined by European Committee for Standardisation (CEN), EN 228 (2004) or BS EN 228 (British Standards BS7070) must be used for Road Racing (exceptions in Road Racing rules), Motocross, Trials, Enduro and some classes in Drag Racing, Sprint, and Track Racing. (See individual discipline rules). Unleaded petrol must comply with the ACU/FIM specification with the following characteristics:

Property	Units	Min.	Max.	Test Method
RON		95.0	102.0	ISO 5164
MON		85.0	90.0	ISO 5163
Oxygen	%m/m		2.7	ASTM D 5622 ASTM D 4815
Nitrogen	% m/m		0.2	ASTM D 4629
Benzene	% v/v		1.0	EN238

And other characteristics according to the current ACU/FIM specification. Available from the Technical Secretary, ACU, Rugby. Any infringement of the fuel specifications will automatically result in the exclusion of the competitor from the entire meeting. The result of the competitors' fuel sample analysis (A or B Sample) more favorable to the competitor will be taken into account.

AIR

Only ambient air may be mixed with the fuel as an oxidant. Unless otherwise specified in Standing Regulations, fuel additives are not permitted.

BIO-FUELS

E85 Bio-ethanol pump fuel may be used where specifically allowed by the sporting discipline Committee.

E85 Bio-ethanol fuel is defined by CWA 15293:2005 (automotive fuels, ethanol E85, requirements and test methods) standards and is a road legal, publicly available fuel.

SAMPLING

Fuel samples may be taken, to ensure compliance with the ACU/FIM Fuel Regulations at any time or place during the course of an event.

- The Chief Technical Officer with the agreement of the Clerk of the Course may take or supervise the taking of up to 1.5 litres of fuel from any competition machine.
- Containers used must be clean and of a type certified suitable for holding petrol samples.
- Each sample taken must be divided into two and placed in separate 1 litre containers. (1 litre approximately in one and 0.5 litre approximately in the other). The containers must be sealed immediately and identified by reference to the machine from which the sample was taken. This information must be entered on a certificate which must certify the date, place and time of taking the sample and the seal numbers of both the 1 litre (the 'A' sample) and 0.5 litre (the 'B' sample) containers.
- Sample 'A' must remain in the control of the Chief Technical Officer for delivery to an ACU approved 'Fuel Test Laboratory'. Sample 'B' must be given to the rider or his authorised representative who must sign the fuel sample certificate, acknowledging receipt.
- Samples taken for routine control must be tested for compliance with at least three of the characteristics listed – A fuel test result will be said to be 'in compliance with' or 'not' in compliance with the characteristics tested for.
- When fuel is tested for any other reason all characteristics listed must be proved.

FUEL TEST COSTS AND PENALTIES

When following routine testing fuel found to be not in compliance with the ACU/FIM Fuel Regulations the competitor involved will be liable for the relevant testing costs.

When fuel is tested as a result of a protest the protest fee must be accompanied by a 'Nominal Testing Charge' of £600 and the losing party will be liable for all the testing costs. In the event of the protest being upheld the 'Nominal Testing Charge' will be returned. Any competitor who fails to provide a fuel sample when requested to, or whose fuel is found to be not in compliance with these regulations will:

- Have his/her licence suspended for a minimum period of six months of the 'season' March to October inclusive.
- Will be excluded from the results.
- Will lose any championship points that may have been earned at the meeting.

ACU approved protective helmets and visors

Helmets bearing any one of the undermentioned “standard” marks could be approved by the ACU if deemed to conform with certain additional criteria considered necessary for helmets used in motorcycle sport. Helmets so approved will carry the ACU transfer in gold or silver.

British Standards Institution BS 6658-A

British Standards Institution BS 6658-B

UN ECE Regulation 22 ECE 22-05

Snell Memorial Foundation Snell (individual approval only) M2005 or M2010

European Community ECE 22-04

The only indication that a helmet is suitable for immediate use in motorcycle sport is the ACU gold or silver stamp firmly affixed. It is considered that any person selling a helmet for competition use as “ACU Approved” without an approval stamp firmly affixed is making a false trade description.

YOUTH SPORT: The choice of helmet type ‘full face’ (integral) or ‘open face’ with or without detachable chin guard, is at the discretion of the licence holder AND the parent or legal guardian of the licence holder. Great care must always be exercised in choosing a full face helmet for a young person, too large a size must not be selected in order to ease head entry or to allow for head growth. Packing must not be used to improve the fit of a helmet too large in original size.

GOLD APPROVAL The minimum standard for Road Racing, Sprints, Drag Racing, Hill Climb and any speed events held wholly or part on bound metallised surfaces.

SILVER APPROVAL The minimum standard for Motocross, Grass Track, Enduro, Speedway, Grass Hill Climb and all speed events held entirely off road.

EXEMPTION

A rider or passenger from another Country

holding a licence endorsed by his/her FMN and carrying proof of insurance issued by his/her FMN, may wear a helmet without an ACU Approval Stamp but complying with FIM Art. 01.67 (displaying a recognised International Helmet Standard).

HELMET MODIFICATIONS

Please note that any modification to a helmet structure immediately invalidates ACU approval. Any helmet modified by the cutting, drilling or puncturing of the shell in any way subsequent to its leaving the manufacturer, will be rejected at scrutineering and the ACU approval stamp must be removed.

HELMET PAINTING

Painting of helmets of laminated composite construction (glass fibre, Kevlar etc.) is permitted. However, parts bonded on, such as the visor aperture surround or the energy absorbing lining must **not** be removed even by professional customisers. The removal of the visor pivots, vents and controls should only be done if attached by screws etc. “sprung in parts” should be carefully masked around before painting, as bonded items. Moulded plastic helmets of polycarbonate, ABS etc must **not** be painted.

Further information can be obtained from the ACU Technical Department, including names of professional customisers agreeing to conform to guidelines on helmet painting derived between the ACU and leading helmet manufacturers.

HELMET SECURITY

Many helmets have a type of buckle (Double ‘D’ Ring or Sliding Bar) requiring strap tension to maintain security. Riders should be aware that strap slip can occur through this type of buckle even on new helmets, be sure to maintain some strap tension at all times.

Even during the relatively short period of a race, strap slip can be sufficient to increase the risk of helmet loss in the event of an accident. It

can be minimised by securing the flapping strap end by some means such as a rubber band.

HELMET PROJECTIONS

(Fins, stabilisers etc.)

Attachments to the shell surface exceeding 20mm height are not permitted in Road Racing.

VISORS/GOGGLES

For Road Racing, visors to the highest British Standards Institution grade of impact and abrasion resistance are recommended.

HELMET STAMPING

Helmets which are to be mailed for approval and stamping should be sent to: ACU, ACU House, Wood Street, Rugby, Warwickshire CV21 2YX. Tel: 01788 566400 A fee of £15.00 should also be enclosed which covers return post and packing charges. Helmets may also be inspected and perhaps approved by most International Technical Officials at a cost of £5.00.

TECHNICAL INSPECTION OF HELMETS

The Senior Technical Officer of an event has the power to impound for the day, any helmet he considers is not in a fit condition to be used. He is authorised to remove the ACU approval sticker, which remains the property of the Auto Cycle Union. The helmet may be submitted for a second opinion to the Technical Secretary, but in any case may not be used without being re-checked.

The Union recommends that all types of helmets used in regular competition should be replaced after three years.

Competitors with long hair – Long hair must be contained within the helmet or clothing.

MOULDED PLASTIC HELMETS

Many helmets with moulded plastic shells of thermo plastic material meet with ACU requirements and bear the Union's mark of approval. However, it must be stressed that helmets manufactured from this material may be seriously damaged by substances such as petrol, paint, adhesives, cleaning agents and decorative stickers.

HELMET STAMPS

Helmets are examined at scrutineering in order to assess wear and tear, general deterioration and to ensure that an ACU Approval Stamp is displayed. The only stamp eligible for competition use, except trials is displayed below.



TEN FITTING TESTS FOR HELMETS

1. Obtain correct size by measuring the circumference of the head immediately above the eyes in cm.
2. Check there is no side to side movement.
3. Tighten strap securely.
4. With head forward attempt to pull up back of helmet to ensure helmet cannot be removed in this way.
5. Check ability to see clearly over shoulder.
6. Make sure nothing impedes your breathing in the helmet and never cover nose or mouth.
7. Never wind scarf around neck so that air is stopped from entering the helmet. Never wear a scarf under the retention strap.
8. Ensure that visor can be opened with one gloved hand.
9. Satisfy yourself that the back of your helmet is designed to protect your neck.
10. Always buy the best you can afford.

Make sure that the helmet has an ACU Approval Stamp affixed.

Never buy from mail-order unless you are satisfied with the above tests.

Do not hesitate to return the helmet unused if it does not fit you.

Competition licence/Trial Registration

A Competition Licence (or Registration in the case of Trials) is required by every rider and passenger participating in any competition held under the National Sporting Code of the ACU.

It is the responsibility of the competitor, or in the case of minors the parent or legal guardian, to ensure that their licence is valid and issued for the correct class. The issuing of a licence does not guarantee an entry into, or acceptance into, any competition. All licences are valid from 1 January to 31 December of the year of issue. Licence fees are non-refundable.

Duplicate ACU licences can be obtained on request at a cost of £5.00. Duplicate FIM/UEM licences can be obtained through the ACU at the appropriate fee.

One event licences

A One Event licence grants all the benefits of an annual licence for the duration of one named event only. The Supplementary Regulations for the event will state whether this type of licence can be used.

One Event licences are valid only for adult and youth riders in the undermentioned events:

- i) Motocross, Supermoto and Enduro events up to and including National Status.
- ii) Grass Track, Sprint, Drag and Hillclimb events below National Status.

Note: One Event licences are not issued for Trial or Road Race events.

The One Event licence fee is £10.00. This fee is non-refundable and cannot be redeemed against the cost of an annual licence.

Associate membership

Associate Membership is available to any individual who does not hold a current Competition Licence/Registration. The annual fee of £10.00 allows the individual to enjoy a range of benefits and discounts that have been secured by the ACU for its members.

Benefits include significant discounts on a range of motorcycle related products as well as travel and accommodation. To view an up to date list of benefits please visit the ACU website. Associate members also receive free copies of the ACU magazine.

ACU Benevolent Fund

ADMINISTRATIVE COMMITTEE

For contact details please refer to the Committees and Panels section.

R. Hanks (Chairman) **F. J. Henley**
Mrs M. Carter JP (Treasurer) **Mr C. Pattison**
R. Collins **Mrs J. Macphee**
Mrs W. Evans **R. W. Smith**

Trustees: Mrs M. Carter, R. Collins, Mrs W. Evans, R. Hanks, F. J. Henley, Mrs J. Macphee, Mr C Pattison, Mr R. W. Smith.

It is first of all most essential to establish that the ACU Benevolent Fund is not a form of insurance. It is a registered charity that endeavors to give assistance to past and present members of the ACU including their family and dependants who are suffering financial hardship howsoever caused. No one has an automatic right to expect assistance.

Every competitor should be aware that due to the present limitations on accident insurance cover in respect of injuries it is now even more important to consider making alternative arrangements to provide their own personal cover in the event of an injury.

Areas the Ben Fund may be able to assist with is in the initial period when help is needed following an accident or injury prior to any state benefits being made available, also consideration will be given to help with travel costs when someone is hospitalised some distance from home.

Any request for help should be made via your own Benevolent Fund Officer as listed over the page or direct to the Ben Fund Secretary at the Rugby Office. A standard form will be supplied asking for certain details which should be completed and returned to either your local Ben Fund Officer or the Rugby Office, all requests for assistance received and any information given is completely confidential and will never be divulged to any other person or body.

The Trustees of the Fund will always give very sympathetic consideration to all requests for help. Our funds are however restricted and rely almost entirely on the generous financial help of our clubs, centres and other supporters,

without this we would not be in a position to carry out our work of giving help and support where needed. If the Benevolent Fund has been able to help you in the past why not contact your local club or centre and offer your assistance in helping to raise funds for the future.

The Trustees recognise and appreciate the generous support of the Auto Cycle Union.

During 2011 the Benevolent Fund, along with other charities, has suffered badly from the current economic situation. We have seen the requests for help continue to increase and in relation to donations we were only just breaking even. It has been possible to build up a small reserve over the past few years and this reserve is now being used to continue the work of helping those in need. However, reserves do not last forever, we therefore have to request that in order to continue to give help where needed we must find ways of increasing our donations. The ACU Benevolent Fund is not a HIGH PROFILE CHARITY, as our help is restricted to past and present members of the ACU and their families, it is therefore only right that the majority of our income is self generated as it has always been in the past.

To our many Centres, Clubs and general supporters that have been the backbone of our income in the past we give you our most sincere thanks, what we now have to ask is that in order to maintain our level of support to those in need, we need the help of those who have perhaps left it to others in the past. The families of those we help over the years are possibly members of your Centre or your Club please help us to continue helping them.

In the year ending 31st December 2011 the grants made will exceed £45,000.

To all our many supporters our sincere thanks for providing us with the means to continue our work.

BENEVOLENT FUND OFFICERS**Cheshire** Mr R. Weale, Old Brow, 18Jacksons Edge Road, Disley, Stockport,
Cheshire SK12 2JE. Tel: 01663 765794
ronweale321@hotmail.co.uk**Cornwall** Mr J. Bassett, Carniggie Cottage,
Greenbottom, Chasewater, Truro, Cornwall
TR4 8QL. Tel: 01872 561457**Eastern** Mr M. Cross, Magrathea, East
Hanningfield Road, Sandon, Chelmsford,
Essex CM2 7TQ. Tel: 01245 478275
xfamily@nildram.co.uk**East Midlands** Mrs A. Boyle, 126 Uttoxeter
Road, Hill Ridware, Rugeley, Staffordshire
WS15 3QX. Tel: 01543 492212 Mob: 07866
605082 annie126@btopenworld.com**East South Wales** c/o 5 Gwyn Crescent, Varteg,
Ponypool, Torfaen Tel: 07548 704676
gwentschoolboystrialclub@btinternet.com**East Yorks** Mrs E. Race, 20 Broadlands
Drive, East Ayton, Scarborough, North
Yorkshire YO13 9ET. Tel: 01723 863987
erace@hotmail.co.uk**Isle of Man** Mrs W. Evans, 3 Mount View
Terrace, Onchan, Isle of Man IM3
1AB. Tel: 01624 621296/07624 433540
desandwyn@manx.net**Midland** Mr & Mrs G. Daniel, 25 Doidge Rd,
Erdington, Birmingham B23 7SQ. Tel: 0121
350 2601 (Eve) 0121 373 1035 (Day)
gerrydan@blueyonder.co.uk**Mid Wales** Mr M. Bates, Nant-yr-Wyn,
Llanbister Road, Landrindod Wells, Powys
LD1 5UP. Tel: 01547 550393**Northern** Mr K. Quinn, 7 Arkholme Close,
Carnforth LA5 9XF. Tel: 01524 732089**North Eastern** Mr J. A. Guthrie, 9
Hillside Gardens, Sunderland, Tyne
& Wear SR2 9AR. Tel: 0191 522 6260
guthaz@ntlworld.com**North Western** Mr D. Harrison, 93 Yarrow
Road, Chorley, Lancashire PR6 0LU.
Tel: 01257 410448 quizdave@yahoo.co.uk**Southern** Mr S. Earle, 8 Quebec Gardens,
Burllesdon Green, Southampton,
Hampshire SO31 8GP. Tel: 02380 560031
s.earle@ntlworld.com**South Eastern** Mr J. Bacon, 57 Napier Road,
Isleworth, Middlesex TW7 7HP. Tel/
Fax: 0208 892 1191 Mob: 07947 495687**South Midland** Mr F. J. Henley, 33
Connaught Road, Aylesbury, Bucks
HP20 1PS. Tel: 01296 481539
fredrick.henley@dsl.pipex.com
Mr N. Fisk, 52 Greenlands, Leighton
Buzzard, Beds LU7 3UJ.**South Western** Mr C. Pattison, 6 Churchfields,
Wincanton, Somerset BA9 9AJ. Tel: 01963
33001**Wessex** Mr M. Bracey, 3 Burden Close,
Bradley Stoke, Bristol BS32 8BL.
Tel: 01179 236867/07889 363526
martinjan@talktalk.net**Western** Mr T. Hunt, Daren View, Bishopstone,
Hereford HR4 7JE. Tel: 01981 590325**West South Wales** Mr A. Brinsden, Norton
Lodge, Llanteg, Narberth SA67 8PS.
Tel: 01834 831775 Mob: 07970 460424
brinsden_2@supanet.com**Yorkshire** Mrs M. Carter JP, Hunters
Gap, Thorpe Lane, Guiseley, Leeds
LS20 8JH. Tel: 01943 878666
mcarterhuntersgap@btinternet.com**Scottish ACU** Mrs Y Kelly, 29 Baird Road,
Armadale, West Lothian, EH48 3NT
Tel: 01501 732812 Mob: 07523 537592
yvonne1950@mail.com

Price List

Payable to the Auto Cycle Union Ltd.

PERMIT FEES (ISSUED BY HEAD OFFICE)

INTERNATIONAL

(excluding FIM Inscription Fee)

Speed Events, all Stadium Events and Hare & Hounds Events	£300.00
Trials and Enduro	£75.00

UEM CONTINENTAL & NATIONAL

Speed Events, all Stadium Events and Hare & Hounds Events	£50.00
Trials, Enduros, Road Rallies	£35.00

ALL OTHER PERMITS BELOW UEM CONTINENTAL AND NATIONAL ISSUED BY HEAD OFFICE

Speed Events, all Stadium Events and Hare & Hounds Events	£50.00
Trials, Enduros, Road Rallies	£35.00
Test Days	£50.00

SOCIAL GATHERING PERMIT	£35.00
--------------------------------	--------

RECORD ATTEMPTS	
Per Meeting/Day	£35.00

COACHING & PRACTICE PERMITS	Contact ACU office for details
--	--------------------------------

ROAD RACE COMPULSORY TRAINING COURSE	£50.00
---	--------

BIKE TRIALS	£15.00
--------------------	--------

YOUTH PERMITS	
International	£50.00
UEM Continental, National and National Restricted	£25.00
All other Youth Permits issued by Head Office	£10.00

Basic Permit Insurance Package	£650.00
Basic Plus Permit Insurance Package	£1725.00

PR5 Parade Permit	£40.00
-------------------	--------

PROTEST FEES

International Competition	£100.00
National/Restricted/Closed Competition	£50.00

Engine Measurement & Fuel Testing charges can be found in discipline regulations and Fuel Regulations within this Handbook.

APPEAL FEES

To the Final Tribunal of Appeal	£5000.00
Competitors first appeal to FTA	£500.00
Licensed Officials first appeal to FTA	£500.00
To the Auto-Cycle Union	£300.00
To the ACU Local Centre	£150.00
To the Stewards of the Meeting	£50.00

FINES

Levied by ACU Court	Unlimited
Levied by National Club, Centre or Stewards	Maximum £500.00
Levied by Clerk of the Course	Maximum £500.00
Non production of licence	£10.00

CLUB AFFILIATION FEES (PER ANNUM)

Less than 50 registered members	£10.00
Between 50–99 registered members	£20.00
Between 100–199 registered members	£40.00
200+ registered members	£50.00

ADMISSION TICKETS

per 1000 including VAT & postage per roll	£15.00 + VAT
---	--------------

BLUE LOGO/WHITE LOGO MARKER TAPE

per roll	£12.00 + VAT + Postage
----------	------------------------

WARNING NOTICES

Paper, as per current handbook – prices include VAT	
Type A (<i>Motor Sport Can Be Dangerous</i>)	£1.75 + VAT
Type B (<i>Prohibited Area</i>)	£1.75 + VAT
Type C (<i>Warning Notice</i>)	£1.75 + VAT

LASU

The ACU's Local Authority Support Unit (LASU) was launched in January 2005 with funding from Motorsport Development UK (MDUK). Its remit is to offer assistance to Local Authorities, Police Forces and other interested parties who are experiencing problems as a result of illegal off road motorcycling.

The main issues facing Local Authorities are the social disruption and safety concerns caused by the inappropriate and often illegal use of motorcycles in public areas. These problems have been exacerbated by the effects of increased popularity for the activity coupled with a lack of provision throughout the country. Local Authorities, Police Forces and communities are faced with two options to deal with the problem:

1. Police the issue away with enforcement
2. Organise well planned provision, with targeted enforcement

The first option, policing the issue, is often seen as the best solution but has, in the past, simply moved the problem elsewhere, only to see it return to a community over time.

LASU believes that providing a legal and safe place to ride with targeted enforcement is the best solution. By contacting LASU, Local Authorities and Police Forces have access to professional assistance to identify the type of problem, its size, nature and location as well as receiving help to create a workable solution.

For off road problems, LASU can provide assistance with the following issues:

- Feasibility Studies
- Land Access and Planning
- Course and Venue Design
- Insurance
- Environmental Issues
- Noise Monitoring and Testing
- Training of Officials, Marshals and Instructors
- Codes of Best Practice
- Creating Community Projects
- Practice Tracks

The mechanism LASU can deliver is extremely cost effective when compared to costs incurred by Local Authorities and Police Forces in enforcement. In addition, it provides young people with a chance to enjoy

their motorcycling environment, safe from prosecution and bike seizure.

For more information on Off Road Provision, please contact
LASU Secretary: Debbie Walmsley Tel: 01788 566419 dw@acu.org.uk

2012 REGISTERED OFF ROAD PROJECTS

- Bridge Centre Project, East Lothian, Tel: 01620 829817
- MX Challenge Project, Dover, Tel: 01304 202244
- RUTS Project, Midlothian, Tel: 0131 6635736
- Moto Project, County Durham Tel: 0345 6060365 ext 6704630

2012 MINI BIKE PROJECTS

- Bikewise Mini Bike Club, Durham, contact John Bowman 0191 375 2136, 0345 6060365 ext 2399 john.bowman@durham.pnn.police.uk
- St Pauls, Cheltenham, contact Hayden Selwyn Tel: 01242 244440 Hayden.Selwyn@gloucestershire.pnn.police.uk
- Newcastle Mini Bike Club, contact Lisa Rake Tel: 07717 851103 lisa.rake@newcastle.gov.uk

Training Department

The ACU Training Department is responsible for the training of anyone wishing to become an ACU Certified Coach.

The Training Secretary maintains an up to date Register of all ACU Certified Sporting Coaches in all disciplines of motorcycle sport. She also manages the renewal process for coaches and the yearly seminars that all coaches must attend at least once every three years, in order to keep their Certification current.

COACH TRAINING

The ACU Coach Certification Programme is open to anyone who wishes to coach or instruct sporting motorcycle skills.

The ACU Coach Certification Programme delivers training and assessment that is mapped to National Coaching Standards, providing new and existing coaches with the fundamental skills needed in order to pass on their skills and knowledge to other riders.

The ACU has three levels of Coach/Instructor:

ACU Club Coach – for anyone who wishes to coach at club level, on a voluntary basis. Applicants must be competent riders, fully conversant with all appropriate riding skills for the discipline in which they wish to coach. Applicants may be asked to undertake and pass a test of riding competency before coach training commences. Training for this certification is FREE of charge for a member of an affiliated ACU Club (subject to approval from the Club/Centre) with an annual Coach Certificate fee of £25.

ACU Project Coach – for people who coach for Local Authority or Community/Charitable Motorcycle Projects. Applicants must be competent riders, fully conversant with all appropriate riding skills for the discipline in which they wish to coach. Applicants may be asked to undertake and pass a test of riding competency before coach training commences. A subsidised charge is made for the training of this type of coach and the annual Certificate fee is £35.

ACU Commercial Coach – for anyone with background in motorcycle sport who wish to

provide coaching for a fee. Applicants must be able to provide proof of a satisfactory standard of riding ability. A full list of acceptable minimum standards is included in the application paperwork.

Commercial coaches can also coach at Club and Project level. The training of Commercial Coaches is charged at a commercial rate and the annual Certificate fee is £84 including VAT.

All coaches must undergo a Criminal Records Bureau check.

ACU REGISTERED TRAINING PROVIDERS

The ACU Training Department maintains a register of Training Providers who comply with our minimum standards,

To gain entry onto the Register, a training provider must:

- Use only instructors/coaches who hold a current and valid ACU Coach Certificate
- Carry adequate Public Liability Insurance
- Publish and work to a training syllabus with identifiable outcomes and objectives

The ACU Register of Training Providers will enable anyone looking for training in motorcycle sport to identify appropriate schools which use properly qualified staff, working to a published syllabus.

The ACU Register of Training Providers is open to any training school which can satisfy the above requirements.

A current list can be found by visiting the Training page of the ACU website www.acu.org.uk or by contacting the Training Department.

For more information on the ACU Training Department please contact Debbie Walmsley, Training Secretary on 01788 566419 or dw@acu.org.uk

LARA

LARA is the motoring organisations' Land Access and Recreation Association and acts as a national forum for the principal groups in countryside motor sport and recreation. LARA does not organise events or act as any sort of governing body, but it does assist its members in a wide range of land access issues: policy, practice and problems. If you want to know more about motor sport and recreation – how to take part, land access issues, planning problems, etc. – then either LARA or one of its member groups probably has the answers you seek.

You can contact LARA as shown below.

- Membership enquiries and any LARA issues related to CCPR, OS & NAFW. admin@laragb.org
- Competitive motorsport, motorsport planning and all related matters. mspo@laragb.org
- LARA news – questions, contributions, congratulations and condemnations. editor@laragb.org
- Training enquiries (Southern UK) admin@laragb.org
- Training enquiries (Northern UK) mspo@laragb.org

LARA headquarters
LARA
PO box 142
Newcastle upon Tyne
NE3 5YP
admin@laragb.org
website: www.laragb.org

THE DRIVERS' & RIDERS' COUNTRYSIDE CODE OF CONDUCT

1. Use only Vehicular Rights of Way – not all green roads have vehicular rights. LARA groups can help with information.
2. Keep to the defined track, and deviate only to pass immovable obstructions. Report obstructions, including low branches and very soft ground, to the highway authority. If the correct route is not obvious on the ground, ask local users, or check the details

held at highway authority and local record offices.

3. Travel at a quiet and unobtrusive pace, alone or in small groups. Remember that others seek to get away from bustle.
4. Ensure that you and your vehicle are fully road legal, and obey traffic and LARA signs. Green roads are subject to the same laws as surfaced roads. There is no public right to drive away from a road on common land, moorland, sand dunes, or beach.
5. Pay attention to 'the Four W's'
 - Weather** – Do not travel on green roads when they risk being damaged beyond a point of natural recovery when the weather improves.
 - Weight** – Do not use the roads which may be seriously damaged by the wheel pressure of your vehicle. LARA does not support use of heavy vehicles on green roads.
 - Width** – Do not use roads which are too narrow for your vehicle. Avoid damage to trees, hedges and boundaries.
 - Winches** – Only use when unavoidable. Always avoid damage to trees, walls, and surface while recovering.
6. Respect the life of the countryside. Be courteous to all other users, and take great care when passing horses. Be prepared to stop your engine if needed. Always fasten gates and take care near livestock.
7. Remember that wildlife faces many threats and green roads can be valuable habitats. Take special care in spring and early summer.

THE ACU COMPETITIONS NOISE CHARTER

- a) Do ensure that your vehicle complies with the noise limits applicable to the event.
 - b) Do not continue competing with a defective or damaged exhaust system.
- Remember that you will be excluded from an event if you continue in spite of an excessively noisy exhaust.
- c) Do not rev the engine needlessly in service areas, paddock, and start areas, etc.
 - d) Do respect official instructions in respect of quiet zones.

ENVIRONMENTAL POLLUTION

- a) Do ensure that your vehicle is free from leaks of oil and other fluids which may not only present a hazard to yourself and others but also contaminate the countryside.
- b) Do not carelessly spill fluids nor discard used, broken components. Always properly dispose of all waste materials.
- c) Do not drop litter, take it home.

RESPECT

- a) Always respect officials and their instructions, they are for a purpose and your benefit.
- b) Do not be abusive towards officials this is bad manners and carries extreme penalties which might shorten your sporting career.
- c) Always respect other users and the public in general, however abusive or obstructive. Let the officials deal with such problems, and do not make them worse.

ACU REGIONAL SPORTING OFFICERS

John Fletcher The Oaks, 18 The Ridgeway, Astwood Bank, Redditch, Worcs B96 6LT. Tel: 01527 893687

Anthony Kenny 250 Point Clear Road, St. Osyth, Clacton on Sea, Essex CO16 8JL. Tel: 01255 820295

Bryan Puckett 32 Hoel Derwen, Cimla, Neath, West Glamorgan SA11 3YS. Tel: 01639 767851

Barry Robinson 9 Melville Grove, Ilkley, Yorks LS29 8NX. Tel/Fax: 01943 609722

David Smith 20 Chedworth Drive, Witney, Oxon OX8 5FS. Tel: 01993 708418 (7-9pm only).

Ron Weale 18 Jackson's Edge Road, Disley, Stockport, Cheshire SK12 2JE. Tel/Fax: 01663 765794

Cass Edward 157 Queens Walk, Woodston, Peterborough, PE2 9AJ Tel: 07933 777209

The ACU Regional Sporting Officers provide a local source of advice and information on all the above and represent both car and motorcycle interests. If you would like to assist the ACU in its fight to protect the rights of motorsport, by becoming a Regional Officer would you please forward your brief details to the ACU Office. Make no mistake, the full might of the environmental lobby is now being ranged against motorsport. Despite having organised responsible events for nigh-on 100 years our clubs are losing venues hand-over-fist through no fault of their own.

ACU needs more regional officers to help co-ordinate the fight back

Land Use Advisory Service

Planning, conservation, rights of way, open access and noise are all potential problems which can affect and frequently have affected clubs staging off-road motorcycle sport at local or even national level. As a result, the Land Use Advice Service (LUAS) has been set up to help find satisfactory resolutions.

The ACU has introduced LUAS to help you with problems as they arise and – this is important – to work with clubs so that problems do not arise in the future. Every problem that arises is a learning experience, win or lose, and it is vital that we do learn and apply each lesson for the future.

The Land Use Advice Service is initially going to work with clubs in a number of ways:

A set of 'Guidance Notes' is now available on topics that regularly come up, such as the extent of the 14/28 day rule (concerning the need for planning permission), and how to set about getting local authority authorisation for trials on public rights of way.

To view the ACU Guidance Notes Synopsis visit the Land Use Advisory page on the ACU website

ACU Clubs and Centres may order copies of the Guidance Notes by contacting Debbie Walmsley at ACU House on 01788 566419 or by emailing dw@acu.org.uk quoting the Guidance Note reference number.

There will also be a set of draft standard forms that clubs can use when applying to public authorities. LUAS also needs to hear from clubs about the areas and topics where they feel that help would be most useful.

LUAS will also help clubs with problems specific to sites and events. Email or telephone advice will be available when a problem arises, and each issue will be documented as a 'case file' at ACU Headquarters. This is very important as experience shows us that having the 'full story' – all the correspondence and the site's history – is crucial to a successful outcome, and once a particular problem is wrapped up, LUAS will look at it to see if there is a learning experience that should be written up as advice for the benefit of other ACU clubs. This is not more paperwork for its own sake: the level of official

control and intervention in all aspects of land use goes up and up, and motorcycle sport now, more than ever, has to work within the system.

The ACU has engaged Alan Kind, who also works on planning issues for LARA, as its specialist officer to provide both general and case-specific advice. Clubs with problems can certainly speak directly with Alan, but LUAS has to manage all its communications carefully, so initial contacts should be via Debbie, please.

LUAS is here to help the ACU's clubs, but it is not a one-way process – you cannot always ask for, and get, a packaged solution to your problems. Headquarters needs the clubs to work with LUAS so that, in the future, few if any problems arise and motorcycle sport is regarded as a good and welcome neighbour in the countryside.

If you have a problem, or just want to know more about any particular topic, then your first point of contact is Debbie Walmsley at ACU Headquarters (Tel: 01788 566419 or email: dw@acu.org.uk).

The Motor Vehicles (Off Road Events) Regulations 1995

DANGEROUS, CARELESS AND INCONSIDERATE RIDING – APPLIES NOT ONLY TO THE PUBLIC HIGHWAY.

From 1 July 1992, the offences of dangerous, careless and inconsiderate driving of a mechanically propelled vehicle on the road (sections 1,2 & 3 of the 1998 Road Traffic Act as amended by the RTA 1991) have also applied to a Public Place. This change was driven by the absence of effective legislation to control illegal driving by underage drivers in public places which are not necessarily a public road.

This extension of road traffic law to public places had far reaching consequences for those who take part in or organise events involving motor vehicles in fields, parks or other areas where the general public is admitted either free of charge or on payment of entry fee. Consequently provision was made in the legislation in order that the legislation does not apply to those taking part in 'authorised' motoring events when driving in a public place other than a road, provided they are driving in accordance with the appropriate authorisation for the event. Consequently, in most instances it is anticipated that ACU licensed riders participating in ACU authorised events will have nothing to fear.

It is not illegal to organise or take part in an unauthorised motoring event in a public place, but drivers and riders should be aware that they are liable for prosecution if in doing so they drive dangerously or carelessly. It should be assumed that what may be regarded as fair competitive riding on a race circuit may be regarded as dangerous or careless in an unauthorised place.

Consequently, any rider who may be attracted to ride in any other events should ensure that the events are authorised in accordance with the Motor Vehicles (Off Road Events) Regulations 1995. The responsibility for ensuring that an event is authorised lies equally with riders and organisers.

The precise definition of 'event' or 'public place' cannot be given. Authorising Bodies have

to consider whether the event requires drivers/riders to drive/ride dangerously.

NAVIGATIONAL SCATTER EVENTS

The Motor Vehicles (Competition and Trials) Regulations 1969 is specific legislation governing motoring events held on the public highway. The Road Traffic Act makes it illegal to race or trial of speed on the public highway, unless it is of a sort permitted by the 1969 legislation and authorised in accordance with it. It is legislation which makes it illegal to run a treasure hunt of more than 12 vehicles, unless a specific authorisation permit is obtained. The authorisation procedures are quite involved and can be expensive to administer. However, a Navigational Scatter Event is considered to be automatically authorised so long as it conforms to these various conditions:

- Regulations/information sheet should clearly state the type of event, along with an estimate of the mileage likely to be covered.
- The places to be visited must be detailed to the competitors by way of points on a map, or on a list. However, there **MUST BE NO REQUIREMENT** for the control points to be visited in any specific order.
- Competitors should be given random choice of points to visit, and not be required to visit more than 75% of them.
- The control points should be safely positioned so that there is no danger to either riders or the general public. Paying special attention to traffic speed at, pull-off points, advanced signing, parking, number of riders that may be at any one control point at any time, access to private land, vicinity of house, noise levels, church service times, other events which may be taking place in villages on route at the same time (funerals, carnivals, garden fetes etc.).
- Competitors must be free to visit control points in any order.
- Riders should be obliged to get off their bikes to reach the actual control point.
- No form of timing should be employed

on the public highway sections, although a finish time may be specified providing it gives reasonable and adequate time to visit the required number of control points.

POLICE

Although there is no requirement to notify the police, it is wise to do so by simply sending the police authority/ies through which your event runs, a copy of a publicity sheet, or event diary, highlighting the date and location of checkpoints, and mark it “for information only”.

INSURANCE

Where any part of an event takes place in circumstances where the Road Traffic Act applies, i.e. in a public place, competitors must be covered by their own Motor Insurance Policy. Most organisers understand that if someone is injured or damage is done to property as a result of acting negligently an action for compensation may be brought against them. The ACU will provide a permit and insurance cover to clubs in order that officials and members may be safeguarded against legal liability as much as possible. If organisers don't currently carry cover, then please obtain details of the ACU's Clubs Insurance Scheme and make use of it.

ACU Environmental Code

1. INTRODUCTION

The realisation that society is rapidly destroying natural resources and polluting the environment to meet its own needs has now spread from pressure group thinking to the mainstream. In particular, increasing attention is now being paid to the concept of sustainable development that meets the needs of the present generation, without compromising the ability of future generations, to meet their own needs.

All activities have an impact on the environment, through the resources they use, the processes they undertake, and the waste created. Pressures to change our way of operating are now being brought to bear on all types of sport and recreation.

The governing body of motorcycle sport, at both National and International level, has two objectives to achieve in developing an Environmental Code.

- i) To ensure that it manages our activities in a way that is sustainable within the environment.
- ii) To put itself in a position where it can demonstrate to Local and National Governments that it is a responsible member of the community, with both the ability and willingness to contribute to the protection of critical aspects of our environment.

2. GENERAL PRINCIPLES

- 2.1 Motorcycle activities fall clearly into three main categories: competitive sport, recreation, and transport.
- 2.2 Motorcycle sport is a major constituent of the International and National sporting calendars, attracting an ever-increasing audience and producing significant economic benefits. It is a sport that, like most other sports, and human activities in general, creates an impact on the environment.
- 2.3 Motorcycle riding, as a means of transport or recreation, continues to increase and, therefore, should also be looked at from an environmental point of view.
- 2.4 The ACU considers it to be of major

importance to develop a coherent environmental policy, taking into account the legislative and regulatory requirements of the United Kingdom, and the European Community.

- 2.5 The ACU environmental policy, as defined in this Code, is based on mutual respect for the needs of the environment and for the reasonable practices of motorcycling in general.
- 2.6 The ACU seeks to co-operate closely with all appropriate organisations in order to ensure that motorcycle activities are, at all times, environmentally acceptable.
- 2.7 The ACU shall adapt its Rules and Standing Regulations in order to give proper recognition to environmental matters and to the principles of the Code.
- 2.8 According to the above General Principles, this Code seeks to improve the relationship between motorcycling and the community at large. These main principles refer, in particular, to:
 - a) noise, fuel, protection of the ground, and cleaning issues;
 - b) behaviour of all persons, either directly or indirectly, involved in motorcycling.
- 2.9 The ACU will seek to establish, at all times, the appropriate environmental standards during the organisation of motorcycle events, at all levels, and will promote environmental consciousness.
- 2.10 In order to ensure that this Code is respected, the ACU has added environmental responsibilities to the duties of the Clerk of the Course.

3. ENVIRONMENTAL RESPONSIBILITIES

At each event the Clerk of the Course will be responsible for all environmental issues associated with that event. The Clerk of the Course can delegate the duties (but not the responsibilities) to another suitably qualified official (i.e. An official with a National Track Racing Clerk of the Course Licence can undertake the Environmental Duties at a National Motocross Event)

For International Championship Events,

these responsibilities must be undertaken by an official in possession of a current FIM Environmental Officials Licence as specified in the FIM Sporting Code.

The Clerk of the Course will:

- Ensure that the ACU Environmental Code is respected.
- Have access to all information relating to the event and must be able to, prior to, during, and after, the event, take appropriate action or make recommendations on all aspects of the event which may have environmental consequences.
- Report to the Stewards of the Meeting on environmental aspects of the event, and make recommendations to the Stewards or the Environment Panel on issues which may have future environmental consequences.

4 SOUND

4.1 MOTORCYCLES

- Avoid all unnecessary running of engines.
- The sound levels, in all disciplines, must comply with the particular discipline's Standing Regulations.
- The ACU maximum sound levels for all disciplines will be enforced, controlled by licensed officials with approved equipment. For details, which vary slightly between disciplines, refer to the sporting rules.
- Adequate consideration must be given to the siting of the course, and in particular the start areas, in relation to local residential properties.

4.2 COMMUNICATION

- Separate address systems for riders' paddock and the public area are preferable.
- Position of loud-speakers: inclined towards the ground and directed towards the centre of the track or the course.
- Maintain the sound level as low as possible.
- A public address system can cause more annoyance outside the track than the actual sound of motorcycles. Make arrangements with the people in charge of the system to reduce the sound volume to an absolute minimum between races/practice sessions.

5. FUEL

- It is a requirement that regular unleaded fuel, commercially available, without additives, except oil for two stroke engines, is used.
- For Track Racing, the use of methanol is permitted.
- The use of alternative fuels which are more environmentally friendly, when sanctioned by the regulations, are permitted.
- Fuel tests are carried out according to the procedure laid down in the Technical Rules.
- Samples of the test are sent by the organisers of the event to a laboratory selected by the ACU.

6. PROTECTION OF THE GROUND

- Measures must be taken to prevent discharges of fuel, oil, cleaning fluids, degreasants, cooling and brake fluids, etc. into the ground. For all off-road disciplines, competitors are required to use an environmental mat at all points where machines are serviced.
Specification of Environment Mat
Dimensions 160cm × 100cm
 (Track Racing Solo – 160cm × 75cm)
Absorption Capacity Minimum One Litre
Thickness Minimum 5cm
- Environment mats must also be placed under mobile generators and oil/fuel storage facilities to avoid pollution of the ground.
- Containers/facilities to recover rubbish, oils, detergents, etc. must be provided by the organisers.
- Leave no long-term evidence of any activity.

7. CLEANING OF MOTORCYCLES

- Cleaning of motorcycles can only be carried out at places designated by the organisers.
- No detergents are permitted.
- Cleaning facilities must be constructed and managed to avoid pollution of the ground.
- The requirements for cleaning facilities are described in the rules of the discipline concerned.

8. ACTION TO BE TAKEN BY COMPETITORS

- Each competitor is responsible for the waste generated by his team during the event.

- Where organisers provide the necessary containers for waste they must be used as directed.
- Waste must be retained by the team until the approved facilities provided by the organisers can be used.
- Where refuelling or servicing of a motorcycle is being undertaken at an off-road event, competitors must provide and use an environment mat to protect the ground. These mats must be removed by the competitor after use.
- Where organisers or competitors provide generators powered by petrol or diesel engines, they must be placed on an environment mat, and that mat must be removed by the user afterwards.
- Any infringement by the competitor of the ACU Environment Code can result in disciplinary action being taken.

9. RECOMMENDATIONS FOR THE PUBLIC

- Visitors to a motor sport circuit, track, rally or event can play an important role in keeping the environment clean and undamaged. Here are some suggestions:
- In co-operation with the police, select the routes to and from the venue which will cause as little annoyance as possible within the surrounding area.
- Provide clear signs to the venue, which must be removed within 24 hours of the end of the event.
- Do not allow parking on vulnerable areas (verges, green lanes, etc.), or where soil damage may occur (eg after heavy rain).
- Avoid concentrations of people in sensitive areas.
- Provide sufficient sanitary facilities and ensure secure/prompt treatment of effluent.
- Inform the public about responsible behaviour on the site.
- Specify, in contracts with catering firms, that all drinks and food packaging is to be removed from the site.

10. RECOMMENDATIONS FOR ORGANISERS AND CIRCUIT/TRACK MANAGERS

10.1 ENVIRONMENTAL PROVISIONS

- Make arrangements to prevent pollution of the ground in the rider’s paddock, on the

- track, and within the surroundings.
- Look after the protection of verges along access roads, fence off (tape) vulnerable areas, to prevent indiscriminate parking.
- The facilities for training, racing, rallies, and the surrounding areas, must be protected as much as possible from pollution.
- Measures must be taken to prevent:
 - i) leakage of fuel, oil, cleaning fluids, degreasants, cooling and brake fluids, etc., into the ground.
 - ii) waste from participants, helpers, spectators and selling points not collected in waste-bins or containers and being left on the ground at the site. Sanitary facilities being connected improperly to the sewerage system.
 - iii) waste being collected and removed in an illegal way.
 - iv) ACU sound levels for motorcycles during the event (including practice) being exceeded.
 - vi) excessive sound levels at all motorcycle events.
 - vii) the composition of fuel not conforming to the ACU regulations.
 - viii) the maximum number of events and/or practising time being exceeded.

10.2 EVENT ENVIRONMENT MANAGEMENT PLAN

It is useful to use a plan for the management of the facilities, to stimulate an environment-minded behavior by the spectators and an environment-minded use of the facilities during events.

This plan must include at least the following points:

- a) An assessment of the environment impact of the event on the circuit and its surroundings, having regard to the number of competitors and the expected number of spectators.
- b) Cleaning area with high-pressure cleaners for motorcycles.
- c) Containers for used oil, brake fluids and cooling fluid or any other liquid.
- d) Containers for spectators general litter.
- e) Sanitary facilities/
- f) Judicious positioning of loud speakers.
- g) Provision of adequate and appropriate direction signs to the event.

- h) Provision of containers or waste bags in the pits of the mechanics area and collection of the contents during and after the event.

10.3 PUBLICITY AND ADVERTISING

- Place billboards and posters only after having obtained permission from the owner of the property, and the local highway authority if appropriate.
- Take Government regulations into account when positioning billboards.
- Do not distribute leaflets/pamphlets under windscreen-wipers of cars, on motorcycles, nor to spectators (do not allow others to do so during an event).

10.4 RIDER'S PADDOCK/RESTRICTED AREAS

- It is recommended that each participant is presented with a rubbish bag and instructions for use on arrival.
- Provide sufficient containers for the rubbish bags.
- Take care that there are enough containers for used oil. These containers must be marked "waste oil only" and have an opening sufficiently large to avoid spillage.
- Provide containers for oil filters and cleaning rags.
- Provide sufficient and clean sanitation, for all personnel, with proper provisions for collecting waste and water.
- Provide a special wash area in accordance with the appropriate discipline regulations for events where the cleaning of motorcycles is permitted.

10.5 AFTER THE EVENT

- Signposts, billboards and posters must be removed immediately after the event.
- Clear away tapes and markers around the event site.
- The event site must be returned to its original condition as soon as possible.
- Arrange for prompt removal of all waste and rubbish.
- At regular intervals make an evaluation of the event; correct any shortcomings and prevent future errors.

10.6 CIRCUIT/TRACK MANAGEMENT

- Managers of motor sport facilities are able to take a large number of measures when managing and maintaining a venue.
- Keep up maintenance and take care that the site is kept clean and tidy at all times.

- Ensure regular maintenance so that the circuit/track gives a neat and tidy impression.
- Take all necessary care, when making changes/adjustments to the site, to consult the appropriate authorities.
- Use natural colours for buildings, fences, etc. and provide suitable trees and vegetation.
- Repair defects on the outside of buildings.
- Materials used for maintenance/ improvements should be checked by the appropriate authorities to ensure they are not contaminated.
- Where temporary water features are provided at events as part of the course, ensure that arrangements are in place to dispose of the water on completion of the event in accordance with local regulations.
- Ensure proper disposal of waste from sanitary facilities.
- Provide facilities for bike washing to be undertaken without contamination of the ground, if cleaning is to be permitted.
- Act carefully when making alterations to the terrain and buildings and consult the appropriate authorities beforehand.
- When locating the starting area, take acoustic effects into consideration.
- Respect sensitive areas and close these to the public.
- Only remove trees when absolutely necessary and only after obtaining the necessary permissions.
- Clear away all remains afterwards.
- Take into account the sound-absorbing function of trees, bushes etc (when replanting them).
- Ensure soil/sand supplied by others be examined for possible pollution before it is used.
- Remove mud from public highways and remove direction signs etc.

11. RECOMMENDATIONS TO ROAD USERS

11.1 RIDER CONDUCT

- Individual motorcyclists should develop riding habits to ensure full integration with other types of users.
- Ride safely and avoid aggressive and competitive riding.

- Save petrol and reduce pollution by avoiding unnecessary idling of engines.
- Ride politely and limit noise pollution by using your horn only in an emergency.
- Noise annoys. Use a legal exhaust system and keep audio systems at a low level.
- Use only routes which are legally available to motorcyclists.
- Ride responsibly at all times.
- Respect nature by not travelling on routes that risk being damaged beyond a point of natural recovery.
- Protect wildlife and its natural habitat by riding intelligently.
- Take responsibility for ensuring that your used oil, tyres, batteries and other recyclable items are properly disposed of.
- Encourage fuel efficiency and space economy by riding motorcycles instead of driving automobiles.

**OFFICIALS WHO HOLD AN FIM
ENVIRONMENT STEWARDS LICENCE**

Please see ACU website for list of current officials.

Equal opportunities/sports equity policy statement

- The Auto-Cycle Union (ACU) aims to ensure that all people irrespective of their age, gender, disability, race, ethnic origin, creed, colour, social status or sexual orientation, have a genuine and equal opportunity to participate in motorcycle sport and leisure at all levels and in all roles. That is as a beginner, participant or competitor, and as a coach, manager, administrator, official or spectator.
- It is the aim of the ACU to ensure that all present and potential members/employees of the ACU receive equal and fair treatment.
- It is the aim of the ACU to provide all its services in a way which is fair to everyone.
- It is the aim of the ACU in its relationship with its members/employees and in its provision of services not to disadvantage any individual by imposing any conditions or requirements which cannot be fully justified.
- In pursuance of this policy the ACU may take special measures/positive action for any group which is currently under represented in its membership, representative bodies or workforce, taking account of the Race Relations Act (1976) and the Sex Discrimination Acts (1975, 1986).
- In pursuance of this policy the ACU reserves the right to discipline any members/employees of the ACU who practice any forms of discrimination on the grounds of a persons age, gender, disability, ethnic origin, creed, colour, social status or sexual orientation.
- The ACU will monitor and evaluate this policy on an ongoing basis and will inform the members/employees of its impact.

DISABILITY POLICY STATEMENT

- The Auto-Cycle Union has a policy of encouraging and supporting the motorcycling ambitions of anyone with a disability making motorcycle sport an activity that is genuinely open to anyone who wishes to take part.
- The ACU has a framework of requirements and assessments to ensure that everyone can enjoy the sport, in whatever capacity and to whatever level they are capable.

Insurance

The following policies have been arranged to protect Auto Cycle Union Ltd (ACU), ACU Events Ltd, ACU Events (Isle of Man) Ltd and Auto Cycle Union (ACU) and/or their affiliated clubs or any local Association or Organisation approved by the ACU and their Officials in addition to “signed-on” Competitors who are members of the ACU but only when an ACU permit or certificate of exemption has been issued for the event. An event can comprise Practice or Competition. The policies arranged by the ACU are:

- Public Liability for injury or damage to other people or property (see exclusions and limitations on the following page)
- Personal Accident to Officials
- Personal Accident to Competitors or Participants (Premier Cover only)

The benefits noted in this section only apply to events permitted by ACU Ltd, ACU Events Ltd or ACU Events (Isle of Man) Ltd. Riders and officials at events permitted by the Scottish ACU Ltd (SACU) are subject to the terms and conditions of the SACU insurance and should refer to the SACU for details.

The policies are arranged through Doodson Motorsport, Century House, Pepper Road, Hazel Grove, Cheshire SK7 5BW and copies of them may be seen by arrangement with the General Secretary at ACU House, Wood Street, Rugby, Warwickshire, CV21 2YX .

A summary of Key Facts for Competitors and Officials appears later in this Section.

PUBLIC LIABILITY COVER

Any person allegedly injuring another or damaging another person’s property may have an action for compensation brought against them. This is as true of motor sport activity as of any other and it is for this reason that the ACU has arranged Public Liability insurance to protect its Affiliated Clubs, Local Centres, Officials, Sponsors and others who are involved in organising or running ACU permitted events. For these potential legal liabilities to be covered under the ACU policy, the Organisers must obtain an appropriate Permit or exemption from the ACU.

The indemnity limit for any one accident is £30 Million under Premier cover and £10 Million under Basic cover. The cost of defending Organisers and their Officials against allegations that might become the subject of indemnity under this insurance (including prosecution by the Health and Safety Executive) is also met by the Insurers subject to them taking over the conduct and control of any such defence.

The cover applies to associated activities necessary to an event such as setting up and dismantling a course.

Training days are covered subject to prior notification, approval of procedures and issue of a Training Permit, by the Training Department after payment of the appropriate fee. A per capita charge may be made for insurance cover provided.

Non motorcycling social events run by clubs affiliated to the ACU are included in the cover, i.e. club nights and the like.

The Policy extends to protect all persons appointed to act as an Official of any permitted event in respect of their third party liabilities arising from their official duties, subject to the terms, conditions and exclusions of the Policy.

Officials’ private vehicles, whilst being used by an Official in his official capacity as part of a permitted event, will, if damaged, be regarded by the Insurers as third party property and the ACU cover will apply subject to a £100 excess.

LANDOWNERS

The ACU and its members need to retain the goodwill of Landowners so that land continues to be made available for events. For this reason the ACU policy indemnifies Landowners in respect of their potential legal liability to third parties following an accident in connection with a permitted event for which they have made available the use of their land. The indemnity protects them against being drawn in to a claim if there is an accident during the event and also indemnifies the Landowner if an allegation is made that cause of injury or damage was due to some defect in the Landowner’s premises. The amount of Indemnity provided depends on the cover selected by the Organisers of the event.

Many Landowners expect that if an event results in damage to their property (for example a wall is knocked down) that the ACU or Organiser will indemnify the Landowner. The policy covers this type of incident subject to a £250 excess.

SPONSORS

The policy extends to include indemnity to sponsors, should they get involved in a claim where they have become subject to litigation only due to the fact they were an event sponsor. If the sponsor has been negligent in their actions and caused injury to a third party or damage to any third party property then the ACU would pass the claim to the sponsor and their insurers.

CONTRACTUAL LIABILITY

Contractual liability is the term used in insurance to indicate an obligation imposed in a contract which goes beyond the position that would exist otherwise under the law. Insurers customarily exclude such obligations because they do not wish to be bound by prior commitments made by their policyholders unless they have been given notice of the commitment and agreed to it.

It is not uncommon for Landowners making their land available for an event to make it a condition that damage will be made good. Thus the liability of the Organiser to the Landowner may not arise from common law because the Organiser has been negligent, or failed to exercise proper care, but purely as the result of the contract between the Landowner and the Organiser.

The ACU policy is extended within its normal limits to cover this situation, however for this to apply details of any correspondence, contract or agreement between the Organiser and the Landowner shall be advised to the ACU at the earliest opportunity and by the very latest the date at which the permit is applied for in order to check if the obligations go beyond policy limits.

WHAT IS NOT COVERED

It is important to understand what is not covered by the policy. The main points are:

Participant to Participant Liability –

Claims by one Competitor against another

Competitor are not insured whilst competing in the permitted event. Competitor means rider, passenger, entrant or sponsor.

Road Traffic Act Liability i.e. Road risks.

Where any part of an event takes place in a public place riders are strongly recommended to confirm with their normal motor insurers that their participation in the event is covered. Without such a precaution it is possible that a rider could both be prosecuted and find them self personally liable for damages without insurance protection. The ACU can arrange short term RTA cover for an event where required and application should be made to ACU House by the Organiser when applying for the permit.

Liability arising out of the use of Motor Vehicles loaned or hired to participants.

Damage or loss of property – Either belonging to the Organiser, hired or held in the custody or control of the Organisation running the event. Note this exclusion also applies to motorcycles held in a Parc Ferme but can be varied on application with full details to Doodson Motorsport.

Borrowed or Hired Motor Vehicles – It is possible that an Organiser may borrow or hire a vehicle such as a tractor or JCB to assist with the task of setting up or dismantling a course. The Organiser must ensure that the proposed use of the borrowed or hired vehicle is covered either by the owner's existing Insurer or by making alternative arrangements separately. Loss of or damage to property in the custody or control of the Organisers is excluded.

It is a condition of the policies that ACU Codes, Regulations and Supplementary Regulations are observed and complied with. Failure to comply could prejudice the operation of the cover.

Unusual Activities – If these involve any high hazard aspects such as a freestyle jumping competition, firework displays or sports such as ballooning or bungee jumping, they should be referred to Doodson Motorsport for approval.

Aviation – The policies do not provide cover in respect of risks arising from the movement of aircraft. If any ancillary attraction involves aircraft, details should be submitted to Doodson Motorsport well in advance of the event. Where airfields are used for events, the airfield must be

non-operational for the period of the meeting or details of the proposed location in relation to the “air side” activities at the aviation site submitted to Doodson Motorsport for approval in advance.

Excess – The first £250 of each and every property damage claim.

PUBLIC LIABILITY – ACTION PRIOR TO THE EVENT AND IN THE EVENT OF ACCIDENT

- 1 Prior to the event; so that Clubs may be certain that cover is operative for any event they undertake the following steps should be taken:
 - 1.1 Apply to the ACU for an appropriate permit or exemption certificate.
 - 1.2 Officials should be briefed prior to the event on risk assessment and procedure in the event of an accident.
 - 1.3 Consider if specific advice is needed from Doodson Motorsport about the event
 - e.g. – increased indemnity limit above £30 Million.
 - Attractions other than normal competition e.g. flight displays, ballooning, bungee jumping, free style displays, bouncy castles.
 - Contractual liabilities incurred to property owners or landlords.
 - Use of vehicles on public roads i.e. RTA cover.
 - Aviation activity on site.
 If there are any special exposures that fall outside normal competition as shown in this handbook and therefore are not covered by the standard ACU liability insurance, full details of the event should be made available to Doodson Motorsport in good time for them to be able to respond on the implications for cover and cost.
- 2.1 In the case of a serious accident or incident involving a competitor, official, spectator or property contact any of the people below who are all from Doodson Motorsport: They are experienced in dealing with major incidents and will advise you on the action to take. They are available to attend the scene of major incidents to help the club/ promoter deal with the official services and government agencies. In addition they have access to expert motorsport legal advice, should the need arise.

Neil Clayton 07810 883330
 Chris Jones 07768 887689
 Ian Hesselden 07940 541581

A serious incident, whilst not a full list, would include:

- Death of a rider, official or spectator
- A spectator is hit by a bike or other vehicle
- A rider, official or spectator is airlifted to hospital from the event
- Any spinal injury
- A serious head injury
- Any other catastrophic injury

- 2.2 The first 10 hours after a major incident are the most important as it enables you to take pictures of the scene, get witness details, confirm weather conditions etc. It is important you speak to us and we can help you. Failure to speak to us at the time of the incident will make the process of gathering information and building the incident file more difficult.
- 2.3 Organisers should retain a full record of the event i.e. copy programme, Supplementary Regulations, final instructions, passes, scrutineer’s report and list of senior officials for a minimum period of four years, or until each competitor in the event has reached 21 years of age, whichever is the longer period.
- 2.4 A return must be made to Doodson Motorsport of the details of injured parties, on the Incident/Accident report form provided, with brief details of the injury to each. If a fatal or serious accident occurs the original entry form must be retained for a period of four years to comply with the law. Any fatal or potentially fatal accident must be notified to Doodson Motorsport and to ACU House, preferably by telephone/fax or email, within 24 hours.
- 2.5 Changes to the Civil Justice System came into effect on 26th April 1999 which impact on the claims procedures. They are designed to improve pre-action contact between the two parties, lead to a better exchange of information and put both parties in a position to settle cases quickly and fairly. Following an incident, organisers may receive a letter from a solicitor which should take the form of two copies of a “letter before action”. Such letters should not be acknowledged but must immediately

be sent to Doodson Motorsport. Insurers will then have 21 days to acknowledge this letter followed by a period of 90 days to investigate the claim and make a decision on liability. Failure to meet these deadlines can result in judgement by default with the attendant adverse penalties and costs accruing to the defendant.

- 2.6 Organisers, competitors or officials who are involved in an accident will be defended by Solicitors chosen by ACU's insurers. The costs of a club, competitor or official appointing their own Solicitor are not covered under the Master Policy.
- 2.7 Claim forms will be sent direct to competitors who request them from Doodson Motorsport.

MEDICAL MALPRACTICE INSURANCE

The Master policy is automatically extended to provide medical malpractice cover for volunteer paramedics registered with the (HPC) Health

Professions Council. Cover also applies to qualified nurses registered with the (RCN) Royal College of Nursing, medical assistants and event officials at ACU permitted events. The limit of indemnity is £10m in the aggregate for each period of 12 months. Cover is subject to an excess of £250 each and every claim.

INSURANCE POLICY SUMMARY – KEY FACTS FOR COMPETITORS (PREMIER PERMITTED EVENTS ONLY)

This policy summary provides important information about the Public Liability and Personal Accident Insurance. This applies each time you are eligible to compete in any ACU permitted event or event for which a certificate of exemption has been issued or run in accordance with the International Sporting Code of the FIM. These are not the full terms and conditions. The full terms and conditions can be found in the insurance policy a copy of which can be viewed on application to the

Features and Benefits	Significant exclusions and limitations
<p>Public Liability You are covered for legal liability you may incur for injury caused to third parties and damage to their property.</p>	<p>Injury caused to any other participant during a race. Road Traffic Act liability unless specifically provided for the event. The organising club will be responsible for the first £250 of each claim in respect of third party property damage.</p>
<p>Limit of indemnity Premier cover £30,000,000 each and every claim Basic cover £10,000,000 each and every claim</p>	
<p>Personal Accident (Premier Cover only) Death £10,000 (£7,500 for 6–15 year olds) Permanent total disablement £20,000 Quadriplegia £40,000 Hospital Benefit £2,000 Loss of Limb(s) £20,000 Loss of Sight of eye(s) £20,000</p>	<p>Personal accident cover for competitors does not apply to events run with only Basic insurance. Temporary total disablement, illness of any kind. Suicide or attempted suicide. Your own criminal act. Being under the influence of alcohol or drugs. Terrorism. Hospital Benefit is payable in a single payment after 28 days hospitalisation following an accident, within a 12 month period of the accident (14 days in respect of trials riders).</p>
<p>Operative Time Cover for both sections only applies whilst you are signed on at events held under permit or certificate of exemption including setting up and dismantling at the event.</p>	<p>Territorial Limits Cover is only provided for events taking place under a Permit within Great Britain, Isle of Man and the Channel Islands.</p>

ACU’s Company Secretary at ACU House, Wood Street, Rugby. The insurance is governed by English Law.

Making a Claim: To make a claim please contact Doodson Motorsport on 0161 419 3000. In the case of an out of hours emergency please see above for the contact details for major incidents.

Complaints: If you are not satisfied with the service you receive from us you should contact in the first instance the Complaints Officer, Doodson Broking Group, Century House, Pepper Road, Hazel Grove, Cheshire. SK7 5BW. If we are unable to satisfactorily resolve your problem you may be eligible for the Financial Ombudsman Service.

PERSONAL ACCIDENT TO RIDERS AND PASSENGERS WHO ARE MEMBERS OF THE ACU

(A) Optional Arrangements

The ACU Policy only provides a foundation under Premier cover and competitors requiring more than this limited cover can obtain additional benefits by paying a seasonal premium to the ACU. Full details and premiums charged are available from ACU or Doodson Motorsport.

(B) Below International Motorcycle Union of Ireland (MCUI) Permitted Events

The ACU’s Personal Accident to Riders and Passengers Master Policy may be extended in respect of authorised participation. All Competitors should contact the ACU prior to entry/departure.

Note: Competitors without appropriate insurance or authorisation may not be allowed to compete.

(C) Youth Events

Doodson Motorsport are able to provide seasonal event Personal Accident Insurance, at competitive rates, to meet the specific needs of youth competitors.

(D) Minors

IT IS MOST IMPORTANT that any injury to a minor (under 18 years of age) reported on an accident report form should clearly indicate the age of the injured person.

(E) Events with Foreign Competitors

It should be noted that only ACU and SACU registered members or licence holders are covered by the ACU’s Premier Personal Accident Policy. No cover applies to events run under Basic insurance. Holders of licences issued by other FMNs are required to make their own arrangements.

Please note that the scale of benefits is that specified by the ACU to apply to ACU licence holders competing in Events within ACU territory. (Article 110.2 of the FIM Sporting Code).

PERSONAL ACCIDENT INSURANCE FOR OFFICIALS

The ACU has effected a Personal Accident Insurance policies (Premier and Basic) all of which provide benefits on the scale below to officials acting at ACU permitted meetings who suffer injury. The cover applies to associated activities necessary to an event such as, setting up and dismantling a course and travelling to and from the event. The ACU will consider sympathetically the provision of counselling where appropriate.

Benefit	1	2	3	4	5	6	7	8
Officials age over 16	£65,000	£65,000	£65,000	£150 per week (Max. 104 weeks)	£2,500	£1,000	£500	£2,000 following hospitalisation of 2 weeks or more
Officials age 14 to 16 In full time education	£7,500	£20,000	£20,000	£75 per week for home tuition & care fees	£2,500	£1,000	£500	£2,000 following hospitalisation of 2 weeks or more

TABLE OF BENEFITS

The benefits under the Personal Accident policies are either payable for death, loss of Limb(s) and/or Eye(s) OR Permanent Total Disablement OR Temporary Total Disablement (this applies to Officials only). Officials who are unemployed receive weekly benefit only whilst hospitalised or housebound. Compensation is payable in accordance with the following table of benefits in Respect of an accident resulting in

1. Death.
2. Loss of or loss of use of two limbs or the sight of two eyes or the loss of use of one limb and one eye, the loss of or loss of use of a limb or the sight of an eye.
3. Permanent Total Disablement.
4. Temporary Total Disablement.
5. Fracture.
6. Dislocation.
7. Physiotherapy.
8. Hospitalisation.

Note: Repatriation costs are not covered.

COMPETITION OUTSIDE OF THE UK

When competing abroad it is a condition of the FIM/UEM Sporting Code that the Rider's own Federation – in our case the ACU – ensures that riders are insured for stated benefits. This requirement offers some safeguards to the event organiser in the event of having to deal with injured or incapacitated competitors, as well as offering some level of security to competitors.

FIM INSURANCE COVER

Doodson Motorsport have arranged on behalf of ACU Licence Holders a benefit package for riders competing in overseas events. Full details of cover and premium rates are available upon request from the ACU Rugby.

Your entry form must be sent via the ACU office at Rugby for endorsement for each event. It is advised that the entry form and insurance premium for each event should be sent to ACU House at least six weeks prior to the event.

ACU House requires a minimum of seven days notice in order to process your insurance and start permission document. Any requests not giving seven days notice may be surcharged £10 plus any costs of post, fax or telephone.

You must obtain an insurance document for each overseas event in which you ride, unless

you take out a Full Seasonal Policy, which covers you for the whole year. The issuing of these documents does not guarantee an entry into, or acceptance into, any competition. The onus of eligibility remains the sole responsibility of the competitor.

A copy of your competition licence, insurance documents and start permission should be presented to the event organiser. In some cases you may also be asked to produce your driving licence.

Speedway competitors riding abroad must obtain an 'Authority to Ride Abroad' form from the ACU. This is to be signed by the competitor, the competitor's promoter, and the BSPA and forwarded to the ACU with all the relevant papers to obtain start permission.

NOTES:

- i) Youth Competitors should note the maximum payable on Death is limited to £7,500 by UK Statute.
- ii) If any rider intends to claim that he already has private personal accident insurance cover in place, which is equivalent to the FIM and UEM basic requirements, and wishes to contract out of the ACU arrangements, the rider must submit such private policies, with the current renewal receipt or confirmation, to the ACU at least 21 days before endorsement of his entry is required.
- iii) Riders are reminded that FIM/UEM/ACU Cover is NOT travel insurance. It covers the Competitor for the benefits listed only during official practice or competition.
- iv) All applicants for FIM/UEM International Licences must hold a current medical certificate.
- v) FIM Cover comes with 24 hour International Emergency Medical assistance (World Wide), and includes pre-travel advice, injury or illness consultation or second opinion facility and emergency message relay.

CHECKLIST OF ESSENTIAL DOCUMENTS TO TAKE WITH YOU WHEN COMPETING ABROAD

- ACU/UEM/FIM Competition licence of appropriate grade. (See ACU Competition Licence Application Form).

- Necessary competition insurance – according to the ACU/FIM scales.
- A current European Health Insurance Card for each member of the team in order to receive reciprocal health benefits in most countries.

We strongly recommend that full travel insurance is arranged for your trip, in addition to FIM Insurance cover which only provides protection during the event itself.

OTHER RECOMMENDED DOCUMENTATION

- Passport with Visa if appropriate.
- Drivers licence.
- International Driving Permit (IDP) – where necessary (from AA or RAC).
- Bail Bond – where necessary (from AA or RAC).
- Vehicle insurance documentation for all vehicles. Check with your insurance broker, as requirements vary from company to company. Green Cards are not a requirement for all insurers when travel is confined to the European Union and many insurance certificates now feature statements in other languages. Some insurers require only to be notified and will issue a standard accident report form.
- Vehicle registration documents – V5 or VE103 or letter of authority if you do not own the vehicle.
- Travel Insurance – including medical and repatriation cover where not otherwise arranged.
- Competitors, who travel with assistants, or as part of a team, should not overlook their needs including travel insurance.
- International identification plate (GB) for vehicles.

OPTIONAL INSURANCE

In addition to the Personal Accident scheme already explained there are other schemes available to Clubs and Competitors, details of which can be obtained from Doodson Motorsport.

ACU ROAD TRAFFIC ACT INSURANCE SCHEME

If any event takes place on the public highway, event regulations should indicate this. It is the

responsibility of competitors to ensure that they are Insured accordingly. Organisers may wish to make provision for those riders whose own Motor Cycle Insurance does not extend to cover them whilst their vehicle is being used in competition.

Organisers of National Trials and National Enduro events do not need to apply for cover, as it will be automatically activated upon issue of the permit. Cover for Non-National events should be applied for on the relevant form, available from Centres.

CLUBS

Now that public liability cover for ACU affiliated Clubs’ social events is included in the ACU Master Liability Policy you may like Doodson Motorsport to review your present cover.

Doodson Motorsport has a scheme providing for the general insurances often needed by Clubs. Under this scheme buildings and contents, trophies, equipment, public and employers liability covers are available to complement the cover provided by the issue of an ACU permit.

ACCIDENTAL DAMAGE TO MACHINES

Doodson Motorsport have arranged a scheme to cover accidental damage, fire and theft (other than when being ridden) for off-road competition machines.

Contact Address:

Doodson Motorsport
 Century House
 Pepper Road
 Hazel Grove
 SK7 5BW
 Tel: 0161 419 3000 (All enquiries)
 Email: snash@doodsonbg.com

An increasing number of foreign riders now compete in events run under ACU permits and this is to be encouraged, however serious problems can arise when a Rider is injured far from home and requires Repatriation. Traditionally this is provided by the Competitor’s home FMN along with Personal Accident Insurance and Medical expenses to FIM levels. Evidence of such cover is contained in a “Start Permission” document provided by

the Competitor's home FMN and is inspected by the Secretary of the Meeting at "sign-on" before the rider is allowed to compete. Times change and it is evident that with increasing freedom of movement between European Countries many riders do not obtain insurance or a "Start Permission" from their home FMN before setting out for events run in England or Wales. Thus they are often uninsured and place a severe burden on the organising Club. A further point worthy of note is that Competitors with full FIM cover do not bring with them any Liability insurance to deal with an accident in the paddock, an "off" into the crowd or any other injury or damage caused through negligence, neither do they provide any PA benefits for Officials. This cover is of course provided by the ACU's insurers but it is only right that Foreign riders pay their share of the premium in the same way as ACU Members.

This page is designed to assist organisers and event secretaries, especially those taking entries on the day.

For avoidance of doubt, Foreign riders are Competitors affiliated to MCUI or any other FMN (except SACU) who do not hold an ACU Competition Licence or an ACU Registration in the case of Trials. Where a Foreign Rider takes part in an ACU permitted event the following guidelines apply:

1. Road Race, Drag, Sprint, Hill Climb and Grass Track: Competitors **with** a valid competition licence **and** a "Start Permission" from their home FMN or evidence of FIM insurance cover pay £3.00 per day for liability and PA benefits for officials. Note: Competitors' PA benefits and Repatriation expenses are not covered.
2. Road Race, Drag, Sprint and Hill Climb: Competitors **without** a valid competition licence issued from their home FMN and evidence of FIM level insurance cover are not allowed to compete without specific authorisation from the ACU's Road Race Department.
3. Other events: Competitors **in possession of** a "Start Permission" from their home FMN or evidence of approved FIM insurance cover, pay the same "per capita" insurance premium as ACU licence holders for which they receive the same benefits.

4. Other events: Competitors in an FIM or UEM inscribed event must provide evidence of start permission from their home FMN. For events that are not inscribed then the competitors can purchase "per capita" insurance premium **PLUS an additional £18.50**. This sum comprises £15.00 for Repatriation cover plus £3.50 as payment in lieu of an ACU Competition licence.

Notes:

- (i) Repatriation is restricted to member countries of the UEM. Apply to Doodson Motorsport for countries outside UEM.
- (ii) The above payment of £18.50 is to be passed to ACU House without Centre or Non-territorial Club discount.

Examples of how this will work are:

Motocross with an Entry Fee of £30.00

inclusive of per capita insurance premium:

An ACU Licence holder pays £30.00. A Foreign Rider providing evidence of FIM cover also pays £30.00 whilst a Foreign Rider NOT holding FIM cover pays £48.50.

Trial with an Entry Fee of £15.00 inclusive of per capita insurance premium:

An ACU affiliated Trials rider pays an entry fee of £15.00. A Foreign Rider providing evidence of FIM cover also pays £15.00 but a Foreign Rider NOT holding a release from his FMN or evidence of FIM cover pays £33.50.

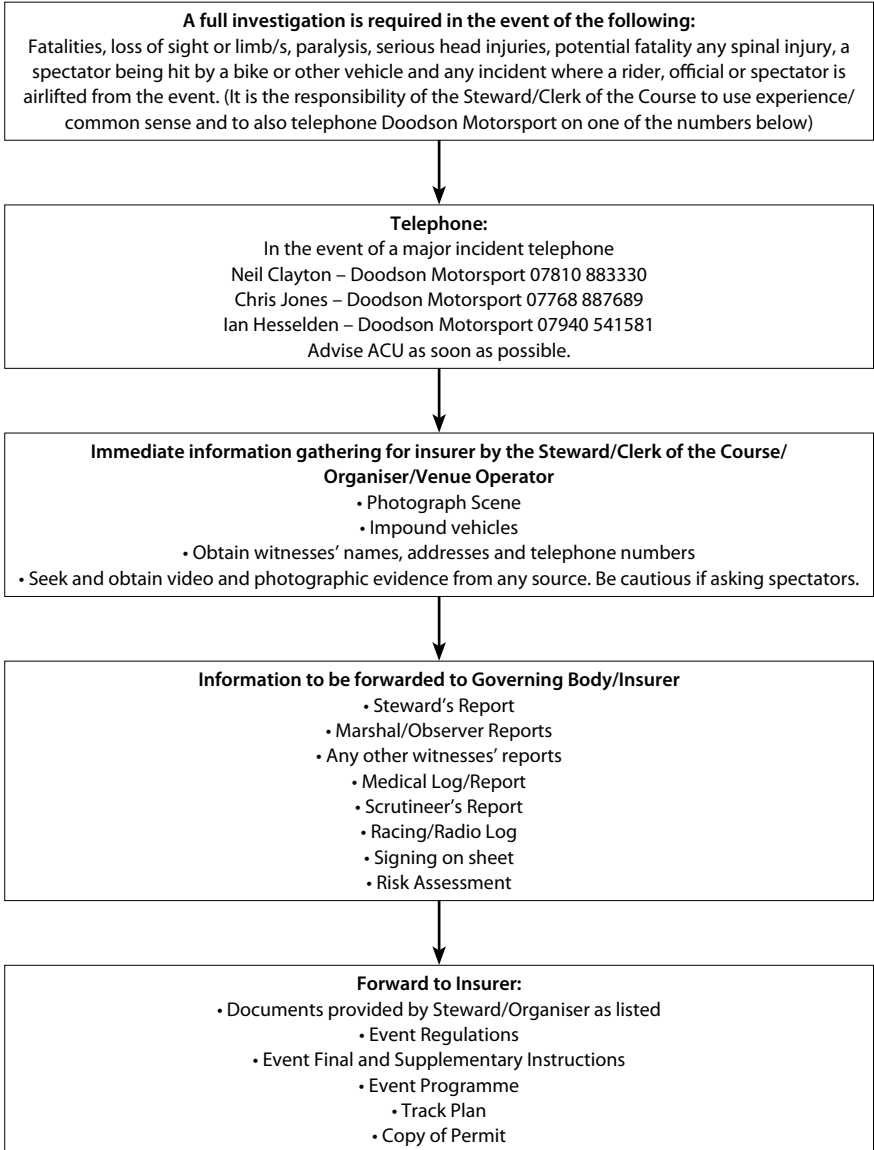
ACTIONS TO BE TAKEN BY SENIOR OFFICIALS AFTER AN INCIDENT INVOLVING SERIOUS INJURY TO A COMPETITOR, AN OFFICIAL OR A SPECTATOR.

Active post incident management and adopting a pro-active approach to investigations after an incident has occurred should ensure the circumstances of the incident are accurately recorded.

If incidents are investigated at an early stage and a pro-active approach adopted it should then be possible to place Insurers in the position where if a claim is received they are able to respond immediately with all necessary evidence to hand.

In that context it is important to recognise that all personal injury incidents have the following key issues:

ACTIONS TO BE TAKEN BY SENIOR OFFICIALS AFTER AN INCIDENT INVOLVING SERIOUS INJURY TO A COMPETITOR, AN OFFICIAL OR A SPECTATOR



MEDICAL SERVICES – TERMINOLOGY

Medical Officer (MO) – Doctor A medical practitioner (doctor), who holds both full registration and a licence to practice from the General Medical Council (GMC). A doctor should also NOT be subject to working in a GMC Approved Practice Setting (APS). They should also hold personal medical malpractice cover, appropriate for pre-hospital immediate care. NHS Crown Indemnity is not applicable.

Paramedic (PM) A State Registered Paramedic with the HPC (Health Professions Council). If a paramedic is present at an event as an individual volunteer (being paid expenses) and not present in a commercial capacity, then they are indemnified for Medical Malpractice under the ACU's insurance policy. This concession also applies to Junior Doctors with full GMC registration (Not GP's or Consultants).

Ambulance A vehicle registered as an ambulance with the DVLA (Driver and vehicle Licensing Agency) or similar government licensing authority and complying with FIM minimum equipment regulations for a type C vehicle; that is:

- Medical: A stretcher (preferably standardised), oxygen supply, apparatus to immobilise limbs and vertebral column. First aid medicaments and materials.
- Technical: Radio communication. Visible and audible signals.
- Staffing: An ambulance must be staffed by 2 First Aid Personnel who can be the two minimum First Aid Personnel required at an event.

An ambulance may act as a Medical Centre but if so it must be a vehicle additional to the minimum ambulance requirement.

First Aid Personnel A person holding a current certificate of First Aid competency.

GENERAL

For each motorcycle sporting discipline, the individual 'minimum medical requirements' are listed in the Handbook within their own sections under the heading 'Medical Services'. This is because, understandably, the minimum medical requirements vary between the types of motorcycle sport.

The points listed below, where relevant to a discipline, will apply to ALL competitive

motorcycle sports and the wording will be the same for all:

- 1 If only one Ambulance is listed as the minimum requirement at an event Organisers are reminded that if it has to leave the event all practising and racing must stop until its return or replacement. It is incumbent therefore on organisers of events to remember their commitment and duty of care to competitors in ensuring that sufficient medical services for the type of event, dictated by a risk assessment of the expected number of injuries, are in place prior to the start of practising and racing and remain in place until the event has completely finished.
- 2 When medical cover is required at an event, the Doctors and Paramedics should have available resuscitation drugs conforming to Resuscitation Council Guidelines and a supply of parenteral and oral analgesics. Organisers should ensure that such systems, equipment and supplies are available at the venue by discussion with their medical provider. Any further drugs and equipment that may be deemed to be appropriate by way of specialist expertise are the responsibility of the individual doctor.
- 3 Auxiliary vehicles, such as 4x4 with a stretcher, cannot replace an Ambulance but such vehicles might, at certain event sites, be used in addition to and as the final form of transportation to the Ambulance for the event.
- 4 If there is a requirement for first aid personnel to be present then they can be the two crew members of an Ambulance, assuming that one is present as a minimum requirement, but they must be available for all the practices and races. Such first aid personnel are an additional requirement to any doctors or paramedics required to be present at the meeting.
- 5 If there is a requirement for full first aid equipment, including a stretcher, then this can be the same equipment as that defined in the minimum equipment requirements for an Ambulance.
- 6 If the minimal medical cover required is for only one doctor or only one paramedic to be present then, if the only one available has

- to leave, for whatever reason, the practices or races must stop until their return or replacement.
- 7 If a doctor is required at an event then they must be on site. It is not sufficient to have the name and address of a distant doctor, who would or might be available if required.
 - 8 The nearest hospital, with an Accident & Emergency Department, must be notified in writing of the time, date and place of the meeting.
 - 9 If a doctor is involved in the treatment of competitors or spectators at an event, they should not normally be involved with drug or alcohol testing of competitors.
 - 10 If a medical centre is available at a circuit or the site of an event then it should be fully operational and independently staffed. If deemed acceptable, an Ambulance or similar unit may act as a medical centre but if so, it must be additional to the minimum Ambulance requirements.
 - 11 If no MO or PM is required at an event then at least one of the two Ambulance crew must be qualified as an IHCD Emergency Technician (EMT) or the Voluntary Aid Society (VAS) equivalent, rather than just a first aid person.
 - 12 If a competitor is involved in an incident involving potential injury, but is not, at the time, taken to Hospital for further treatment, then a relative, or a member of their crew, should be given a copy of the medical assessment or Ambulance report form completed by the event medical personnel following the incident.

Requirements for safety precautions at all speed events held under an ACU permit

It should be generally realised that the organisers of speed events have a legal responsibility to the general public and therefore it is the duty of these organisers to ensure that all reasonable precautions are taken to protect the public.

Whilst organising clubs are insured under the Promoters Third Party Policy in respect of their legal liability, it is a condition of the policy that the promoters of an event must comply strictly with the National Sporting Code and any additional requirements as may be specified by the Permanent Course Licence or Temporary Course Certificate.

Clubs failing to do so stand in grave danger of any claims being repudiated to the club by the insurers under the terms of the policy covering legal liability.

The safety precautions to be adopted are provided with the Permanent Course Licence or Temporary Course Certificate for the particular course but the following general requirements must be observed.

The attention of organisers is drawn to the provision of the NSC which stipulates that no alteration of the requirements contained in the Permanent Course Licence or Temporary Course Certificate shall be made without the prior approval, in writing, of the ACU.

It is recognised that circumstances may arise in which it is necessary to make certain alterations to the course on the day of the meeting but any such alterations must be approved by the Stewards of the Meeting and details given in their report to the authority granting the permit.

WARNING & PROHIBITION NOTICES

The following requirements regarding the display of notices are applicable to all speed events.

WARNING NOTICE (A) (29 × 20 INCHES.)

Warning notices as detailed opposite must be displayed on each side of every entrance to the course, including the entrance to car parks and paddock.

These notices, mounted on stakes, must be prominently displayed and with the top of the notice at least 4ft. from the ground and where they can be easily read by the public before any admission charge is paid, or where no admission charge is made before entry is gained into the circuit.

Where it is not possible to define the limits of the site and to control admission of the public (e.g. War Department and heath land) warning notices must be profusely displayed around the course and also in the car parks. These notices must be mounted on stakes, and the top of the notices must be at least 4ft. from the ground.

NOTICE WARNING TO THE PUBLIC MOTOR SPORT CAN BE DANGEROUS

Despite the organisers taking all reasonable precautions, unavoidable accidents can happen. Please comply with all instructions of marshals and notices and remain in permitted areas only.

**THEY ARE CONCERNED WITH
YOUR SAFETY**

WARNING NOTICE (A2) (29 × 17 INCHES.)

Warning notices as detailed opposite must be displayed on each side of every entrance to the course, including the entrance to car parks and paddock.

These notices, mounted on stakes, must be prominently displayed and with the top of the notice at least 4ft. from the ground and where they can be easily read by the public before any admission charge is paid, or where no admission charge is made before entry is gained into the circuit.

Where it is not possible to define the limits of the site and to control admission of the public (e.g. War Department and heath land) warning notices must be profusely displayed around the course and also in the car parks. These notices must be mounted on stakes, and the top of the notices must be at least 4ft. from the ground.



PROHIBITED AREA NOTICE (B) (29 × 20 INCHES.)

Areas where the public are not permitted must be clearly defined by the display of an adequate number of "Prohibited Area" notices mounted on stakes. These notices must also be displayed in the prohibited area between the "double roping" and facing the public. Warning Notice (A) should also be erected in these areas but they must be used in addition and not in place of Prohibited Area Notice (B). Notices should be displayed within the prohibited area, facing the public and mounted on stakes or fixed to the inner fencing.



WARNING NOTICE (C) (20 × 15 INCHES.)

Those parts of the course to which the public may be admitted and where it is neither practical nor necessary to erect a rope barrier, e.g. those parts of the course which are straight and are only used by the public to reach other parts of the course, may be indicated by the erection of the special type of Warning Notice (C). These notices mounted on stakes with the top of the notices at least 4ft above ground level should be displayed at least 30ft from the course. It is recommended that the limit of these areas should also be defined by a boundary tape affixed to the stakes supporting the notices.



DECLARATION – ADMISSION TICKETS, PASSES, ARMLETS, ETC.

Subject to the provision of the Sunday Observance Act 1780, no person may be allowed to any part of the circuit without a suitable pass or ticket. All tickets and passes must bear the following wording shown below in full and if the wording appears on the reverse side then the words “For Conditions of Admission See Over” must be clearly printed on the face thereof. Where a ticket is cancelled by being torn in half, the full wording and, where applicable, the “For conditions of admission see over” must appear on each half.

Where a charge is made for admission into special or “reserved” enclosures a ticket bearing the approved declaration must be issued in exchange for payment to enter these enclosures. All vehicle passes must bear the same wording and comply with the above requirements.

WARNING MOTOR SPORT CAN BE DANGEROUS

Despite the organisers taking all reasonable precautions, unavoidable accidents can happen. Please comply with all instructions of marshals and notices and remain in permitted areas only.

**THEY ARE CONCERNED WITH
YOUR SAFETY**

OFFICIAL PROGRAMME

The declaration as outlined above should be printed in full on the outside front cover of all Official Programmes. Where this is not possible it must be printed in full in the programme and the words “For conditions of admission see inside” printed on the outside cover.

SIGNING ON

All riders, passengers, officials and assistants, press and team crew must sign a declaration on the relevant signing on form (available from the ACU).

AGE LIMITS FOR OFFICIALS & ASSISTANTS

All event Executive and Administrative Officials shall be 18 years of age or over.

Marshals: All Assistant Officials whose function is to be carried out at the immediate track-side must be at least 16 years of age with the exception of marshals who are in membership of a recognised corps of cadets/scouts/other discipline groups who must be at least 14 years of age.

Trials Observers: Trials Observers must be at least 12 years of age.

Parental Agreement and responsible

Persons: All Assistant Officials who are under 18 years of age must have obtained parental agreement to carry out the duty and the signing-on signature must be countersigned by someone who is responsible for the official at the event.

General: When using the services of minors (persons under 18 years of age) for any official duties at any event special attention must be given to any risks which may be associated with the duty, and to the previous experience of the official.

MANDATORY SIGNING FOR PUBLIC SAFETY AT MOTORCYCLE ENDUROS

This signing should be the responsibility of the Safety Officer. It should be erected and removed as a separate task from the route marking itself.

The aims are to advise other users of the countryside that the event is taking place, to reduce the prospect of conflicts and complaints, to add to the event’s safety precautions.

Unless spectators are to be catered for, the signs should not ‘advertise’ the event. However each should be carefully positioned to be clearly visible to those members of the public (or competitors and marshals) for whom its message is intended. The notional plan opposite shows where the signs should be located but every venue requires the exercise of local knowledge and experience.

Note: use of signs F or G does not enable a footpath, bridleway or byway to be incorporated in a timed special stage.

These signs may be obtained from:
Mr V. Madeley, Greenfields, Kerry, Newtown,
Powys SY16 4LH. Tel: 01686 670596

A

NOTICE

WARNING TO THE PUBLIC MOTOR SPORT CAN BE DANGEROUS

Despite the organisers taking all reasonable precautions, unavoidable accidents can happen. Please comply with all instructions of marshals and notices and remain in permitted areas only.

**THEY ARE CONCERNED WITH
YOUR SAFETY**

B

CAUTION

This right of way and other parts of the forest will be in use during the weekend for an authorised MOTORCYCLE COMPETITION

Tel: ACU 01788
566400

C

WARNING

You are approaching a Motorcycle Enduro. You are present in vicinity of the course by your own choice & should exercise the utmost caution

Tel: ACU 01788
566400

D

CAUTION

Motorcycle
Competition in
progress

Tel: ACU 01788
566400

E

THANK YOU

Tel: ACU 01788
566400

F

CARE



Tel: ACU 01788 566400

G

CARE



Tel: ACU 01788 566400

H

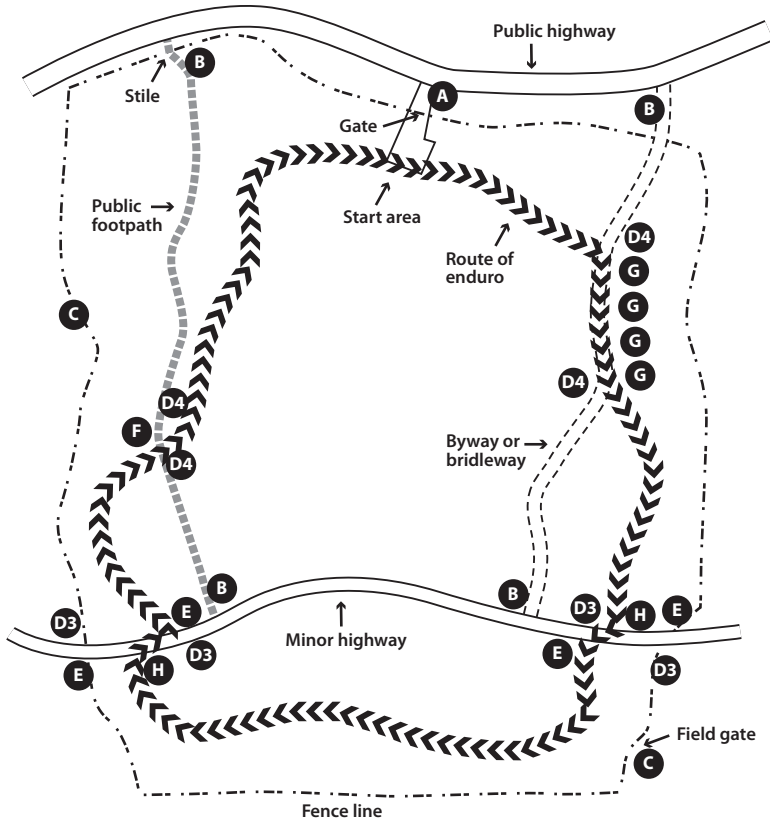


ROAD AHEAD

Tel: ACU 01788 566400

Sign	Colour	Size	Description
A	Black on White	29" x 20"	ACU Warning Notice (A)
B	Black on White	A4	'Caution - This right of way etc'
C	Black on White	A4	'Caution - This part of the forest etc'
D3	Black on Yellow	A3	'Caution - Motorcycle Competition in Progress'
D4	Black on Yellow	A4	'Caution - Motorcycle Competition in Progress'
E	Black on Yellow	A4	'Thank You'
F	Black on Yellow	A4	'Footprint'
G	Black on Yellow	A4	'Footprint and Horseshoe'
H	Red/Black on White	A3	'! Road Ahead'

National plan of signing for public safety at motorcycle enduros



This signing should be the responsibility of the Safety Officer.

The aims are to

- advise other users of the countryside that the event is taking place.
- reduce the prospect of conflicts and complaints.
- add to the event's safety precautions.

Unless spectators are to be catered for, the signs should not advertise the event.

Each should be carefully positioned to be clearly visible to those members of the public or competitors or marshals, for whom its message is intended.

Every venue requires the exercise of local knowledge and experience.

Signs should be erected and removed as a separate task from the route marking itself.

Note: Use of signs F and G does not enable a footpath, bridleway or byway to be incorporated in a timed special stage.

section two

STANDING REGULATIONS

Motocross

SECTION 1 MEETINGS

1.1	Definitions	129
1.2	Categories of Meetings	129
1.2.1	International	129
1.2.2	European Open	129
1.2.3	National	129
1.2.4	Open	130
1.2.5	Restricted	130
1.3	Supercross	130
1.4	Beachcross	130
1.5	Minibike	130
1.6	Eligibility of Foreign Riders in National, Open and Restricted Meetings	130
1.7	Practice Meetings and Test Days	130
1.8	Conditions for Motocross Meetings	131

SECTION 2 ELIGIBILITY

2.1	Licences	131
2.2	Capacity and Licence Restrictions	131
2.3	Youth	134
2.4	Adult	135
2.5	Physical Eligibility/Proficiency Assessment	135

SECTION 3 CLASS VARIATIONS

3.1	Automatic Class	135
3.2	65cc Junior Class	135
3.3	85cc Small Wheel (Intermediate) and 85cc Big Wheel (Senior) Classes	135
3.4	Open Class (Youth)	135
3.5	MX2	135
3.6	MX1	135
3.7	Open (Adult)	135
3.8	Formula Classes	135
3.9	50cc Quad Class	135
3.10	100cc Quad Class	136
3.11	250cc Quad Classes (Youth)	136

SECTION 4 LICENCES AND REGISTRATIONS (OFFICIALS)

4.1	Licensed Officials	136
4.1.1	Clerk of the Course/Race Director	136
4.1.2	Steward/Referee	136
4.1.3	Chief Technical Officer	137
4.1.4	Measurer	137
4.1.5	Timekeepers	137
4.2	Unlicensed Officials	137
4.2.1	Incident Officer	137
4.2.2	Secretary of the Meeting	137
4.2.3	Club Stewards	137
4.2.4	Marshal	138
4.2.5	Medical Officer	138

SECTION 5 SPECIFICATION OF MOTORCYCLE

5.1	Brakes	138
5.2	Tyres	138
5.3	Mudguards	138
5.4	Clutch and Brake Levers	138
5.5	Footrests and Handlebars	138
5.6	Lamps	138
5.7	Throttle	138
5.8	Exhaust Pipes	139
5.9	Running Of Engines	139
5.10	Fuel	139
5.11	Ignition Cut-Out	139
5.12	Chain Guards	139
5.13	Construction	139
5.14	Wheels	140
5.15	Engines	140
5.16	Miscellaneous	140

SECTION 6 NUMBER PLATES

6.10	Number Plate Diagram	142
------	----------------------	------------

SECTION 7 TECHNICAL CONTROL

SECTION 8 SAFETY

8.1	Medical Services	143
8.2	Clothing	145
8.2.1	Motocross, Supercross and Beachcross	145
8.2.2	Minibike	145
8.3	Track Safety	145
8.4	Fire Extinguishers	145
8.5	Riding In The Paddock	146
8.6	Track Access	146
8.7	Flag Signals	146

SECTION 9 RACE MANAGEMENT

9.1	ENTRIES	146
9.2	Practice	146
9.3	Start Positions	147
9.4	Electronic Timekeeping	147
9.5	Races	147
9.6	Method of Starting	147
9.7	Starters Orders	147
9.8	False Starts	148
9.9	Stopping a Race	148
9.10	Finish of Race	148
9.11	Race Results	149
9.12	Change of Machine	149
9.13	Change of Sidecar Passenger	149
9.14	Outside Assistance	149
9.15	Foul, Unfair or Dangerous Riding	149
9.16	Course Conduct	149

9.17	Awards	149
------	--------	------------

SECTION 10 GENERAL

10.1	Instructions to Riders	150
10.2	Conduct	150
10.3	Parental Responsibility	150
10.4	Declaration	150
10.5	Compliance with Regulations	150
10.6	Dogs at Off Road Motorcycle Events	150

SECTION 11 BEACHCROSS

11.1	Specification of Motorcycle	150
11.2	LPG Fuel/Diesel	150
11.3	Circuit	150
11.4	Starters Orders	151
11.5	Finish of a Race	151
11.6	Duration of a Race	151
11.7	Interruption of a Race	151
11.8	Disqualifications	151

SECTION 12 CROSS COUNTRY QUADS STANDING REGULATIONS

12.1	Meetings	151
12.2	Eligibility	151
12.3	Class variations	152
12.4	Licences and Registrations (Officials)	152
12.5	Specification of a motorcycle	153
12.6	Number plates	153
12.8	Safety	153
12.9	Race management	154

SECTION 13 GRADING

12.1	ACU Motocross Riders Expert Grading Scheme (Adult)	156
------	--	------------

SECTION 14 MOTOCROSS MOTORCYCLE	157
--	------------

The National Sporting Code of the ACU and the Standing Regulations together with the Supplementary Regulations and any Final Instructions shall apply to all Motocross Events held under an ACU Permit.

SECTION 1 MEETINGS

1.1 DEFINITIONS

- **FIM** – Federation Internationale de Motorcyclisme – The international governing body of motorcycle sport
- **UEM** – Union Européenne de Motorcyclisme – European governing body for motorcycle sport
- **FMN** – Federation Motorcycliste Nationale – FIM affiliated National federations
- **ACU** – Auto Cycle Union – The FMN of the FIM for the British Isles excluding Northern Ireland
- **SACU** – Scottish Auto Cycle Union
- **MCUI** – Motor Cycle Union of Ireland – The FMN of the FIM for Ireland
- **IMN** – International Meeting Number issued by the FIM

1.2 CATEGORIES OF MEETINGS

- International Meetings
- European Open Meetings
- National Meetings
- Open Meetings
- Restricted Meetings

1.2.1 INTERNATIONAL

1. The Permit shall be issued by ACU Headquarters for a meeting inscribed on the International Calendar of the FIM and having an FIM International Meeting Number (IMN).
2. An International meeting is open to Entrants and Riders of more than one nation who must hold an International Licence or a National licence issued by the ACU, the SACU or their FMN valid for the particular meeting concerned.
3. All riders not holding a licence issued by the ACU or SACU must carry proof of Insurance and a written Start Permission document issued by their FMN.

Note: This includes all riders holding a licence issued by the MCUI.

1.2.2 EUROPEAN OPEN

1. The permit shall be issued by ACU Headquarters for a meeting inscribed on the Calendar of the Union of European Motorcycling (UEM) and having a European Meeting Number (EMN).
2. A European Open meeting is open to Entrants and Riders of more than one European nation who must hold the appropriate Competition Licence valid for the particular meeting concerned.
3. All riders not holding a Licence issued by the ACU or SACU must carry proof of Insurance and a written Start Permission document issued by their FMN.

Note: This includes all riders holding a licence issued by the MCUI.

1.2.3 NATIONAL

1. The Permit shall be issued by ACU Headquarters.
2. A National meeting is open to Entrants and Riders who are the holders of a National or International Licence issued by the ACU, SACU or any FMN valid for the particular meeting concerned.
3. All riders not holding a Licence issued by the ACU or SACU must carry proof of Insurance and a written Start Permission document issued by their FMN.

Note: This includes all riders holding a licence issued by the MCUI.

1.2.4 OPEN

1. The Permits for events run under basic or basic+ insurance are issued by ACU Headquarters.
2. The Permits for events run under Premier insurance are issued by the Centre to which the club is affiliated.
3. An Open meeting is open to Entrants and Riders who are the holders of a Licence issued by the ACU, SACU or any FMN valid for the meeting concerned.
4. All riders not holding a Licence issued by the ACU or SACU must carry proof of Insurance and a written Start Permission document issued by their FMN.

Note: This includes all riders holding a licence issued by the MCUI.

1.2.5 RESTRICTED

1. The Permits for events run under basic or basic+ insurance are issued by ACU Headquarters.
2. The Permits for events run under Premier insurance are issued by the Centre to which the club is affiliated.
3. A Restricted meeting is open to Entrants and Riders who are the holders of a current Licence issued by the ACU, SACU or any FMN valid for the meeting concerned.
4. The Supplementary Regulations issued for the event must specify all restrictions and requirements of eligibility.

Note: This includes all riders holding a licence issued by the MCUI.

1.3 SUPERCROSS

1. Arena/Supercross is defined as a motorcycle event conducted in a stadium type facility, open or fully closed, using Motocross motorcycles.
2. The permits for Supercross events are issued by ACU Headquarters.
3. Supercross events may be run under any of the above categories.

1.4 BEACHCROSS

1. The permits for Beachcross are obtainable from ACU Headquarters.
2. Beachcross events may be run under any of the above categories.

1.5 MINIBIKE

1. The permits for Minibike events are obtainable from ACU Headquarters.
2. Minibike events may be run under any of the above categories.

1.6 ELIGIBILITY OF FOREIGN RIDERS IN NATIONAL, OPEN AND RESTRICTED MEETINGS

1. The Supplementary Regulations issued for the event must specify the licence qualification and eligibility requirements of foreign riders.
2. All riders must have a current Licence and Start Permission from their own Federation valid for the event.
3. Foreign competitors who are not in possession of a start permission of their home FMN or evidence of FIM standard insurance cover pay the normal event entry fee including per capita insurance premium plus an additional £18.50. This sum comprises £15.00 for repatriation cover plus £3.50 as payment in lieu of a competition licence.
4. Repatriation insurance is restricted to competitors from member countries of the UEM.
5. Riders outside of the countries of the UEM will need to be quoted separately from ACU House.

1.7 PRACTICE MEETINGS AND TEST DAYS

1. Permits for Practice Meetings and Test Days may be issued on application to ACU Headquarters.
(Please request a copy of the Practice Permit Guidelines from the ACU Head Office when applying for this type of permit)

- No such event may be held unless the appropriate Permit and Insurance has been issued.

1.8 CONDITIONS FOR MOTOCROSS MEETINGS

- The organiser must be affiliated or approved by the ACU.
- The venue must hold a current Track Certificate issued by the ACU.
- The permit issuing authority must approve the Supplementary Regulations for the event and issue an ACU Permit prior to publication and circulation. Applications should be made a least six weeks prior to the meeting date.
- The race office must remain operative with all equipment in place until the end of the period provided for the lodging of a protest or appeal, and all officials and marshals must remain at the circuit and available to the Clerk of the Course and the Stewards during that period.

SECTION 2 ELIGIBILITY

2.1 LICENCES

- For National competitions, entrants, riders and passengers must hold a current competition licence for International or National events issued by the Auto Cycle Union, Scottish Auto Cycle Union or any FMN.
- For all competitions of below National status, a current competition licence is required.
- Day Licences. A One Event Competition Licence grants the same benefits of an annual licence for the duration of one event only and is available for Motocross, Supercross, Beachcross or Minibike events up to and including National status.
- Riders in possession of a Motocross Dual (youth open/national MX) licence may compete in either youth or adult motocross events. Riders must choose the class at the time of entry as it is not permitted to compete on both Youth and adults races at one meeting. (This is not applicable to Supercross).
- Details of eligibility will be found in the Supplementary Regulations of the event.
- Youth only: All new applications must be accompanied by a photocopy of the rider’s birth certificate.

2.2 CAPACITY AND LICENCE RESTRICTIONS

Youth Solo

Age on 1 Jan	Grade	Engine Capacity	Maximum Wheel Size/Specification
6–7 years	Automatic A	Maximum 50cc 2 or 4 stroke	12 inch rear, 15 inch front
6–8 Years	Automatic B	automatic, no manual clutch	
7–10 years	65cc Junior	Maximum 65cc 2 stroke or 110cc 4 stroke	12 inch rear, 14 inch front
9–12 years	85cc Small Wheel, Intermediate	Maximum 85cc 2 stroke or 150cc 4 stroke	14 inch rear, 17 inch front
11–15 years	85cc Big Wheel, Senior	Maximum 85cc 2 stroke or 150cc 4 stroke	16 inch rear, 19 inch front
14–17 years	Open (Youth)	Maximum 145cc 2 stroke Minimum 200cc 4 stroke Maximum 250cc 4 stroke	19 inch rear, 21 inch front

Adult Solo

Age on 1 Jan	Engine Capacity
15 Years	Minimum 120cc up to maximum 650cc 2 stroke Minimum 175cc up to maximum 650cc 4 stroke

Sidecar

Age on 1 Jan	Grade	Specification
16 Years	Driver	Over 350cc and up to 1000cc 4 stroke and up to 750cc 2 stroke
16 Years	Passenger	

Adult Quad

15 Years		Up to 550cc max 2 cylinders 2 stroke
15 Years		Up to 800cc 4 stroke max 1 cylinder

(Subject to the applicant holding an annual ATV licence issued by the ACU or SACU and having had 2 years Previous racing experience, if an applicant cannot meet the above criteria then the minimum age will be 16 years)

Youth Quad

All classes (*excluding 250cc stock) are allowed to replace or enhance wheels, tyres, drive sprocket, chains, axle, a-arms, bumpers, grab bars, suspension, brakes and steering. All quads are required to have fitted a lanyard cut out switch, nerf bars and front and rear number boards. Any lights must be removed.

Age	Max cc	Type	Specification
6-9years	50cc Standard	50cc Automatics	Automatic Production Quads built by the manufactures. There will be no modifications whatsoever allowed to engine, exhaust, carburettor, air box, clutch, electrics etc. Frame and engine must be by the original manufacturer. Engines must not have exceeded 50cc at time of manufacture.
7-9 years	50cc Modified	50cc Automatics	Automatic Quads. Performance Modifications are allowed up to a maximum of 50cc. Engines must not have exceeded 50cc at time of manufacture.
8-13 years	100cc Standard	Max 100cc 2 stroke Auto Max 150cc 4 stroke Auto	Automatic Production Quads built by the manufactures. There will be no modifications whatsoever allowed to engine, exhaust, carburettor, air box, clutch, electrics etc. Frame and engine must be by the original manufacturer. Engines must not have exceeded 100cc 2 stroke or 150cc 4 stroke at time of manufacture.
9-13 years	100cc Modified	Max 100cc 2 stroke Max 150cc 4 stroke	Automatic Production Quads. Performance Modifications are allowed to the engine up to a maximum of 100cc 2 stroke or 150cc 4 stroke. Engines must not have exceeded 100cc 2 stroke or 150cc 4 stroke at time of manufacture.
9-14 years	100cc Geared	Max 100cc 2 stroke Max 150cc 4 stroke	Geared Production Quads. Performance Modifications are allowed to the engine up to a maximum of 100cc 2 stroke or 150cc 4 stroke. Engines must not have exceeded 100cc 2 stroke or 150cc 4 stroke at time of manufacture.
11-16 years	*250cc Stock	Yamaha 250cc Raptor	Factory Delivered Spec + Optional Steering Damper, throttle & handlebar choice.
11-16 years	250cc Standard	200cc 2 stroke 250cc aircooled 4 stroke	Production Quads built by the manufactures. There will be no modifications whatsoever allowed to engine, exhaust, carburettor, air box, clutch, electrics etc. Frame and engine must be by the original manufacturer. Engines must not have exceeded 200cc 2 stroke or 250cc 4 stroke at time of manufacture

12-16 years	250cc Race & Production & Modified	200cc 2 stroke 250cc air-cooled 4 stroke.	Modifications allowed to the engine, exhaust suspension etc. Engines must not exceed 200cc 2 stroke or 250cc 4 stroke at time of manufacture.
14-17 years	250cc Open	250cc 4 stroke	Modifications allowed to the engine, exhaust suspension etc.

Adult Mini Bike

Age on 1 Jan	Grade	Specification
15 Years	50cc Pro Mini	Wheel size: must be maximum 10" rear and 10" or 12" front. Engine – Must be maximum 50cc. No stroker cranks. Permitted engine mods include: Piston, Cylinder head porting, (valves are to remain stock Honda XR/CRF50 size), Camshaft, carburettor, racing ignitions, air filter and exhausts. Transmission: Must be stock semi automatic, Permitted mods include replacement semi auto clutch units, close ratio transmissions, heavy duty clutch springs. Rolling chassis – Unlimited mods allowed
15 Years	10" Pro Mini	Wheel size: must be maximum 10" rear and 10" or 12" front. Engine – Must be maximum 140cc, using stock Honda stroke/ crank and 52mm bore. Any cylinder head, camshaft, piston permitted. Any ignition. Transmission. Can use manual clutch, close ratio transmission. Rolling chassis – Unlimited mods allowed.
15 Years	Superstock Midsize	This is a one make class based around the Kawasaki KLX110. The only other permitted bike in this class is a 2005 Suzuki DRZ110. Wheel size: must be maximum 12" rear and 12" or 14" front. Engine – Must be maximum 110cc. using stock cylinder head – no head modifications allowed. Replacement camshaft permitted, Must use stock piston and cylinder – no stroker cranks. Carburettor must be stock, including choke, air filter, Transmission – Must use stock clutch, heavy duty clutch springs permitted. Chain and sprockets permitted, Rolling chassis – must use stock frame and swingarm – replacement rear shock absorber allowed. Forks – must use stock forks sliders and fork legs – replacement springs and internal mods permitted. Wheels – Must use stock hubs, rim and spoke upgrades permitted. Oil Coolers can be used. Can change Handle bars, Handlebar clamps, Throttle, cables, seat, plastics, footpegs and footpeg mount, gear shifter, brake pedal, skid plate, tyres.
15 Years	Midsize	Wheel size: must be maximum 12" rear and 12" or 14" front. Engine Must be maximum 160cc. Any cylinder head, camshaft, piston permitted. Any ignition. Transmission. Can use manual clutches and close ratio transmission. Rolling chassis – Unlimited mods allowed

Youth Mini Bike

Age on 1 Jan	Grade	Specification
6-9 Years	50cc	Machines are to be based on a horizontal single cylinder four stroke with a maximum capacity of 50cc. Wheel size must not exceed 10" rear. Exhaust pipes, bars, wheels tyres, sprockets, shocks and rev-boxes, CDI's can be upgraded, but the engine must remain as stock. No cams, no modifications of stock parts on engine. No Stroker cranks allowed.
9-12	88cc	Machines are to be based on a horizontal single cylinder four stroke with a maximum capacity of 88cc. Carburetters must not be bigger than 20mm. The head must be stock, Twin sparks and super heads are not allowed. Wheel size must not exceed 10" rear. Exhaust and suspension upgrades are allowed. Big valved heads are allowed along with Takawa super heads and other brand heads. No Stroker cranks allowed.
12-15	111cc	Machines are to be based on a horizontal single cylinder four stroke with a maximum capacity of 111cc. Full tuning of engine is permitted provided the displacement rule of 111cc is not exceeded. Wheel size must not exceed 12" rear 14" front. Full exhaust and suspension modifications are permitted.

Riders may continue in the youth open class until the end of the year in which their 18th birthday falls. After reaching 15 years of age riders can apply for an adult solo Motocross licence and still retain a youth open licence until the end of the year in which their 18th birthday falls.

After reaching 15 years of age riders can apply for an adult quad Motocross licence and still retain a 250 youth licence until the end of the year in which their 18th birthday falls. (See 2.2 Capacity and Licence Restrictions).

2.3 YOUTH

1. Within the above limits youth riders will compete during the 2011 season in classes determined by date of birth. Riders may ride in a lower class for experience on a non-award basis.
2. No rider may compete before his/her sixth birthday.
3. When a rider reaches the maximum age limit for his/her group, he/she may continue to compete in that group until the end of the calendar year.
4. On reaching the minimum age for the next group, the rider may upgrade. Please note that any rider who chooses to upgrade cannot then move back to the lower capacity class once they have competed at the higher level. (With the exception of competing in the British MXY2 or Supercross Championships).
5. Any rider upgrading before the required minimum age is reached will be subject to disciplinary action unless officially upgraded by the Motocross Department.
6. An assessment will be required for any rider wishing to ride in a class of which they do not reach the age requirement to be arranged by the rider following application to the ACU Motocross Department.
7. The parent or legal guardian must accompany a youth competitor under the age of 18 to any meeting and stay for the entire duration of the time that the rider is present.
8. Riders in possession of a Motocross Dual (youth open/national MX) licence may compete in either youth or adult motocross events. Riders in possession of an ATV/Quad Dual (youth 250cc Standard/Modified or Open/National ATV) licence may compete in either youth or adult motocross events. Riders must choose the class at the time of entry as it is not permitted to compete on both Youth and adults races at one meeting. (This is not applicable to Supercross)

2.4 ADULT

1. An assessment will be required for any rider wishing to ride in a class of which they do not reach the age requirement to be arranged by the rider following application to the ACU Motocross department.
2. The parent or legal guardian must accompany a youth competitor under the age of 18 to any meeting and stay for the entire duration of the time that the rider is present.
3. No rider will be permitted to compete in the adult classes until they reach the minimum required age.

2.5 PHYSICAL ELIGIBILITY/PROFICIENCY ASSESSMENT

All youth riders should be able to sit astride their machines and with one foot firmly on the ground must be able to control the gear lever or the foot brake with the other foot.

SECTION 3 CLASS VARIATIONS

3.1 AUTOMATIC CLASS

1. Automatic classes must be run separately from other classes preferably on a separate course.
2. Where there is direct conflict between large and small machines, clubs at their discretion may separate them into two classes.
3. Parents are permitted to hold the rear of the machine immediately prior to the start of the race, they must be signed on and wearing an appropriate identification bib or sash to assist their rider before going on to the course.
4. Clubs may choose whether they run Automatic A or Automatic B classes but must state clearly which class will be run in the Supplementary Regulations.

3.2 65CC JUNIOR CLASS

The Junior Class must be run separately from all other classes.

3.3 85CC SMALL WHEEL (INTERMEDIATE) AND 85CC BIG WHEEL (SENIOR) CLASSES

Clubs may run 85cc Small Wheel (Intermediate) and 85cc Big Wheel (Senior) together.

3.4 OPEN CLASS (YOUTH)

The Open Class will not be permitted to run in a joint class with the Senior Class nor with adult competitors.

3.5 MX2

120cc to 145cc twostroke or 175cc to 250cc fourstroke.

3.6 MX1

Over 175cc to 250cc twostroke or 251cc to 450 cc fourstroke.

3.7 OPEN (ADULT)

All solo machines 120cc twostroke or 175cc fourstroke up to 650cc two or fourstroke.

3.8 FORMULA CLASSES

For older machines can also be catered for at events i.e. pre 65, pre 75, twinshock.

3.9 50CC QUAD CLASS

50cc Quad classes may be run together but must be run separately from all other classes.

3.10 100CC QUAD CLASS

100cc Quad classes may be run together but must be run separately from all other classes.

3.11 250CC QUAD CLASSES (YOUTH)

250cc Quad classes may be run together but must be run separately from all other classes.

SECTION 4 LICENCES AND REGISTRATIONS (OFFICIALS)

Motocross Race Officials are required to hold an ACU Licence of the appropriate grade for the performance of their duties. The minimum age for motocross licenced officials is 18 years. Licences for officials will be issued free of charge.

4.1 LICENCED OFFICIALS

Motocross, Supercross, Beachcross and Minibike Officials who require a Licence

	See Note Below	Licence Required	Attendance at Seminar/ Training Session
Clerk of the Course	1	YES	3 YEARS Every Third Year maximum
Race Director	National Only	YES	3 YEARS Every Third year maximum
Steward/Referee	2	YES	3 YEARS Every Third Year maximum
Chief Technical Officer	3	YES	3 YEARS Every Third Year maximum
Sound Inspector	YES	3 YEARS	Every Third Year maximum
Measurer	4	YES	3 YEARS Every Third Year maximum
Timekeeper	5	YES	By Assessment

Clubs and Centres shall only nominate candidates whose aptitude and integrity for the position they can fully justify. Official ACU approval and the issue of a Licence is only after the candidates have proved to be competent according to the special requirements for each discipline. The respective Committees and Panels organise seminars that are compulsory for certain officials. A Licence, obtained following the successful completion of a seminar, is valid for 3 years.

4.1.1 CLERK OF THE COURSE/RACE DIRECTOR

- DEFINITION.** Refer to the National Sporting Code
- AGE LIMITS.** There are no upper age limits for Motocross Clerks of the Course of all grades. A Clerk of the Course must be physically able to reach all parts of the circuit to carry out his or her duties.
- GRADES – Motocross/Supercross**
 - National.** A Clerk of the Course who may officiate at any event held under an ACU permit. May officiate as Deputy or Assistant to an FIM International Clerk of the Course.
 - Regional.** A Clerk of the Course who may officiate at any event held under an Open or Restricted Permit.
- Upgrading.** To upgrade from Regional to National an official must have the recommendation of their club, centre or region or be recommended by the Motocross Committee.

4.1.2 STEWARD/REFEREE

- DEFINITION.** Refer to the National Sporting Code
- GRADES**
 - There are two grades of licence for a Steward at Motocross events, National or Regional.
 - There is one grade of licence for a Referee at Supercross events, National.
- AGE LIMITS.** There is no upper age limit for Stewards/Referees at Motocross events. A Steward/Referee must be capable of inspecting the entire circuit without assistance prior to the event starting. (A Steward could use an ATV for this purpose in Motocross).

4.1.3 CHIEF TECHNICAL OFFICER

1. The Chief Technical Officer will be licensed by the Technical Panel to be in charge of the technical control at an event. The Technical Panel may restrict the disciplines of licence holders.
2. A regional Technical Officer will be trained in a centre or region but will be registered through the ACU at Rugby and may take charge of a meeting of below National status.

4.1.4 MEASURER

The licence is issued by the Technical Panel and may be restricted by discipline.

4.1.5 TIMEKEEPERS

Timekeepers will be required to renew and pay for their licence annually.

4.2 UNLICENCED OFFICIALS

Motocross, Supercross, Beachcross and Minibike Officials who do not require a Licence

Officials	Notes	Attendance at Seminar/Training Session
Incident Officer	1	None required
Secretary of the Meeting	2	Will receive training at events receive instruction from the Clerk of the Course
Technical Official		Will receive training via a Chief Technical Officer at meetings.
Club Stewards	3	May attend Regional or ACU HQ Seminars for information purposes
Chief Marshal		May receive training at ACU HQ or Regional Training Days
Marshal	4	May receive training at Regional Training Days and at meetings via the Chief Marshal.
Medical Officer	5	None required

1. All other Technical Officials, Race Day Officials (e.g. Secretary of the Meeting, Incident Officer, Club Stewards) and Marshals may be registered, free of any charge. All such Officials may or may not be required to attend a Seminar. Registration will be renewed annually. Registered Officials and Marshals will receive an appropriate form of identification from the ACU.
2. All assistant officials whose function is to be carried out at the immediate trackside must be at least 16 years of age.
3. All assistant officials who are under 18 years of age must have obtained parental agreement to carry out the duty and the signing on signature must be countersigned by someone who is responsible for the official at the event.
4. When using the services of minors (persons under 18 years of age) for any official duties at any event special attention must be given to any risks which may be associated with the duty, and to the previous experience of the official.

4.2.1 INCIDENT OFFICER

1. Will collate all information and documentation, and prepare reports relating to serious accidents and to all incidents involving Officials or Spectators.
2. A Deputy Clerk of the Course may undertake these duties. An Incident Officer may be nominated to attend a Clerk of the Course Seminar as part of their training.

4.2.2 SECRETARY OF THE MEETING

Will be responsible for all administration connected with the organisation of a meeting.

4.2.3 CLUB STEWARDS

Will together with the Chief Steward form the judicial authority over the running of the meeting.

4.2.4 MARSHAL

1. Marshals who are in membership of a recognized corps of cadets/scouts/other discipline groups must be at least 14 years of age.
2. Flag Marshals must be provided with a tabard/waistcoat clearly identifiable.

4.2.5 MEDICAL OFFICER

See medical section of ACU Handbook.

SECTION 5 SPECIFICATION OF MOTORCYCLE

(CATEGORY 1) All Motorcycles in group A1 (Solo), B1 (Sidecar) and G (Quad) shall comply with the National Sporting Code Appendix D and the following:

5.1 BRAKES

1. Motorcycles must be equipped with one efficient brake operating on each wheel and be operated independently from the driving position.
2. For B1 (Sidecar) motorcycles brakes are not required on the sidecar wheel.
3. For group G (Quad) motorcycles brakes must be capable of operating, as a minimum, to both rear wheels.

5.2 TYRES

1. There is no restriction as to the tyres that may be used other than as may be laid down in the Supplementary Regulations but chains and other non-skid devices will not be permitted.
2. Scoop or paddle (continuous radial rib) tyres and/or tyres with lugs having a height of more than 9.5mm are forbidden.

5.3 MUDGUARDS

Category A (Solo) and B (Sidecar) motorcycles must be fitted with two mudguards giving protection to the driver. The rear mudguard must cover 35 degrees of the upper rear wheel.

5.4 CLUTCH AND BRAKE LEVERS

1. Clutch and brake levers must be, in principal, ball ended, the diameter of the ball to be at least 12.5mm.
2. This ball can also be flattened but in any case the edges must be rounded.
3. These ball ends must be permanently fixed to form an integral part of the lever.

5.5 FOOTRESTS AND HANDLEBARS

The ends of the footrests must be rounded with a radius of not less than 8mm. The ends of the handlebars on all motorcycles shall be rounded or otherwise protected. For group G (Quad) motorcycles nerf bars must be fitted.

5.6 LAMPS

1. For motorcycles group A1 (Solo) and B1 (Sidecar) lamps, registration plates and licence holders must be removed.
2. For motorcycles group G (Quad) direction indicators and mirrors must be removed. Other glass or plastic lenses must be taped, padded with foam rubber, or equivalent, at least 25mm thick and taped again.

5.7 THROTTLE

All machines must be fitted with self-closing throttles.

5.8 EXHAUST PIPES

1. The end of the exhaust pipe or pipes must not project beyond any part of the vehicle or its bodywork.
2. Exhaust gasses must not be discharged so as to raise dust or foul the tyres or brakes or inconvenience a following driver.
3. A provision for the discharge of waste or surplus oil must be made so that it is collected and not spill onto the circuit.
4. Breathers can be routed into air boxes or collector tanks.

5.9 RUNNING OF ENGINES

1. The running of engines is prohibited except during official practice, actual racing, sound testing and for a period not exceeding five minutes prior to the start of each race.
2. A breach of this regulation may involve disqualification from the meeting of the rider of the motorcycle concerned.

5.10 FUEL

1. Only the following fuels are permitted
 - a. Unleaded petrol; see ACU/FIM Fuel Regulations for physical properties, fuel test costs and penalties for non-compliance.
 - b. E85 Bio-Ethanol fuel pump fuel; see ACU/FIM Fuel Regulations for physical properties, fuel test costs and penalties for non-compliance.
2. Pre 75 machines may use normal road side pump leaded petrol (BS4040 max lead 0.15g/litre and Pre 65 machines may use methanol.
3. In the event of a protest against fuel specification an additional fee, as defined in the fuel section of the handbook, must be submitted with the protest and protest fee. In the event of the protest being upheld the additional fee will be returned and the cost of the fuel test charged to the other party. (See also ACU Fuel regulations as detailed within this Handbook).
4. Smoking or the use of mobile phones in refuelling points is forbidden.
5. For Beachcross see section 11 of the Motocross Standing Regulations

5.11 IGNITION CUT-OUT

1. Motorcycles in group A1 (Solo) used in Motocross will be fitted with an engine cut-out button.
2. Motorcycles used in group B1 (Sidecar) will be fitted with an engine cut out button that must be operated by a non elastic string or cord (coil telephone wire is not permitted). The cord should be a maximum of 500mm. Any part of the cut-out that remains live when disconnected must be shrouded in order to prevent accidental contact with any part of the motorcycle.
3. Motorcycles in group G (Quad) will be fitted with an engine cut out button that must be operated by a non elastic string or cord. Any part of the cut-out that remains live when disconnected must be shrouded in order to prevent accidental contact with any part of the motorcycle.

5.12 CHAIN GUARDS

1. For motorcycles group A1 (Solo) and B1 (Sidecar) the manufacturer's original guards or parts of similar design must remain in place. See National Sporting Code.
2. For group G (Quad) motorcycles an adequate guard must be fitted to prevent any accidental contact with the primary chain or any part of the run not in contact with the sprocket. See National Sporting Code.

5.13 CONSTRUCTION

The use of titanium alloy nuts and bolts is allowed. But a dimension increase may be necessary when non-ferrous fasteners replace ferrous fasteners.

5.14 WHEELS

1. For all groups wheels with six or less spokes must be guarded.
2. For motorcycles group B1 (Sidecar)
 - a. The three wheels shall each be of at least 400mm (16") in diameter measured over the outside of the tyre.
 - b. The wheel track, or lateral distance between tracks, shall be no more than 1150mm.
3. For motorcycles group G (Quad) the measurement from the front wheel to its following rear wheel must be equal.
4. Titanium Spindles are not allowed.

5.15 ENGINES

For motorcycles group G (Quad)

- a. The engine must drive either or both rear wheels and must drive both rear wheels when competing against quads.
- b. The engine must be behind the front wheel(s) and central in front of a line between the rear wheel centres.

5.16 MISCELLANEOUS

1. For motorcycles group B1 (Sidecar) a passenger must be carried in addition to the driver.
2. provision for the riders seat must be forward of a line between the rear wheel centres and above and/or behind the engine, to give the rider, when seated, full and safe control of the machine.
3. For motorcycles group G (Quad) bumpers and nerf bars must have all corners with a radius of a minimum of 12.5mm.

SECTION 6 NUMBER PLATES

1. Number plates will be a minimum of three in number on all machines and it is the rider's responsibility to ensure that the numbers are clearly visible.
2. No metallic or reflective colours may be used in any circumstances.
3. Plates and numbers must comply with the following requirements.
 - a. They must be made of a rigid material and solidly constructed.
 - b. The front plate should measure a minimum of 285mm × 235mm in size with a minimum of 50mm radius rounded corners.
 - c. The plates must be flat or slightly curved (not more than 25mm (1") from the true plane) and must not be otherwise bent or obscured in any way.
 - d. The front plate may be perforated but on no account may the numbers be perforated.
4. One plate must be carried facing forward and not more than 30 degrees from the vertical with one on each side of the machine.
5. Side number plates must be positioned above a horizontal line drawn through the rear spindle and behind a line drawn vertically at a minimum distance of 200mm behind the footrest. The size will be as accepted by the FIM.
6. The minimum dimensions of the numbers should be: height 140mm (5½"), width 80mm (3¾"), width of stroke 25mm (1") and the space between any two figures 15mm (¾").
7. The Clerk of the Course has the discretion to disqualify any rider not showing legible numbers or discounting any appeal resulting from illegible numbers.
8. For motorcycles group G (Quad) a third number plate must be fitted with a minimum size of 150mm × 150mm mounted behind the rider on the rear grab bar, and be in line with the machine reading left to right on both sides. The mounting bracket must not be higher than 150mm. Height of the number 100mm. Width of the number 80mm. Width of stroke 25mm. Space between two numbers 15mm.
9. The colours shall be as follows: The figures and background must be in a 'matt' (non-shiny) colour.

Front & Side Plates

Adult	Background Colour	Number Colour
100cc to 145cc 2 stroke/125cc – 250cc 4 stroke	Black	White
146cc – 650cc 2 Stroke/251cc – 650cc 4 stroke	White	Black
Sidecars	Yellow	Black
Quads	White	Black
Youth – Solo		
Automatic – 65cc Junior	Black	White
85cc Small Wheel (Intermediate)	Red	White
85cc Big Wheel (Senior)	Green	White
Open	Black	White
Youth – Quads		
50cc Standard	White	Black
50cc Modified	Blue	White
100cc Standard	White	Black
100cc Modified	Blue	White
100cc Geared	Red	White
250cc Stock	Yellow	Black
250cc Standard	White	Black
250cc Modified	Blue	White
250cc Open	Red	White
Minibike Adult		
50cc Pro Mini	Black	White
10"cc Pro Mini	Red	White
Midsized pro	White	Black
Superstock Midi	Blue	White
Midsized Clubman	Green	Black
Midsized Over 40	Black	Yellow
Mini Bike Youth		
50cc	Black	White
88cc	White	Black
111cc	Yellow	Black

Any other number plate or any marking on the motorcycle that might be confused with a number plate must be removed before the rider is allowed to start.

The only exception to the number plate regulations will be where special conditions apply to a National, Centre or Club Championship series and are explained in the Supplementary Regulations or conditions to that series.

Numbers for minibike racing must not exceed 2 digits, (i.e. 1–99)

SECTION 7 TECHNICAL CONTROL

1. All motorcycles, helmets and protective clothing must be presented to the Technical Officer as requested, for examination before the start of any practice or at any time during the meeting as may be required by the Clerk of the Course to ensure that they comply with the requirements of the regulations.
2. Any machine damaged in an incident can be recalled by the Technical Officer for re-inspection before being ridden again at the meeting.
3. Any bike fitted with additional side panels or streamlining must have such panels removed when presented for a noise test.
4. Every motorcycle finishing in a race must, if so required, be submitted for final examination and any motorcycle may be retained by the promoters for such a period as may be reasonably necessary for its examination.
5. Where it may be necessary for promoters to verify any fact, this shall be carried out at the cost of the rider. If a rider refuses to release his machine to be measured by the officials of the meeting than this action will result in automatic disqualification from the event.
6. In the event of a protest against machine specification where an engine has to be stripped an additional fee of £250 for four stroke and £150 for two stroke machines MUST be submitted with the protest and protest fee. In the event of the protest being upheld the additional fee will be returned. If the protest is not upheld the additional fee will be awarded to the other party and will be the only costs payable.
7. **Sound Level Control**
 All machines shall be sound tested using the 2 Metre Max method. Machines manufactured prior to 2011 that have a silencer that exceeds the maximum limit, the final acceptance will be defined by using the static test method and the limit will be according to the list.
 96 dBA for 2 strokes and 94 dBA for 4 strokes. Operate according to the FIM method, that is, instead of using the machine piston stroke to calculate the test R.P.M., the fixed R.P.M. according to the capacity must be used, with the exception of over 500cc four strokes.
 Up to 85cc 8,000 R.P.M.
 Over 85cc up to 125cc 7,000 R.P.M.
 Over 125cc up to 145cc 6,500 R.P.M.
 Over 145cc up to 250cc 5,000 R.P.M.
 Over 250cc up to 500cc 4,500 R.P.M.
 Over 500cc 4,000 R.P.M.
 There is no 2 stroke/4 stroke rev differential below 500cc. Due to the influence of temperatures on sound tests, all figures are correct at 20°C. For tests taken at temperatures below 10°C there will be a + 1 dBA tolerance. For tests below 0°C, a + 2 dBA tolerance. There will be a + 2 dBA tolerance allowed for post race sound tests.
Machines post 2011 The FIM 2 Metre Max Test Method will be enforced as previously detailed. The maximum sound limit accepted: 115 dBA + 1 dBA post race. A sound level of 81 dBA at 100 metres during racing should be attained.
8. The Clerk of the Course may disqualify or penalise any rider of a machine which exceeds the maximum permitted sound level, or which in his opinion is deemed to be excessively noisy.
9. Random or spot checks may be made by ACU Sound Control Officials of the sound level of any machine taking part in any ACU meeting in addition to any routine checks at technical control.

SECTION 8 SAFETY

8.1 MEDICAL SERVICES

At all Motocross events, including official practice, qualified first aid personnel must be in attendance with full first aid equipment. Organisers must ensure sufficient medical services for the type of event remain in place until the event has completely finished.

For National and International Events a Medical Officer or Paramedic must be in attendance. For all other status events A Medical Officer (MO) or a Paramedic (PM) or an IHCD Emergency Technician (EMT) or the Voluntary Aid Society (VAS) equivalent must be in attendance during official practice and racing.

The minimum requirement for the start of every event is two ambulances.

If one of the two ambulances has to leave the circuit then the minimum requirement for the event to continue is one ambulance and one Medical Officer (MO) or Paramedic (PM) or IHCD Emergency Technician (EMT) or the Voluntary Aid Society (VAS) equivalent, plus enough qualified first aid personnel to cover the course layout size and type of event subject to medical requirements shown below.

For clubs running events at Centre Restricted level and below and where there are less than 119 rider entries the minimum medical requirements are One ambulance – On the condition the ambulance is available at all times. Should the ambulance be required to support the treatment of, or transport an injured rider the meeting must stop until such time that the ambulance is available again. The ambulance should be accompanied by either a Medical officer (MO) a Paramedic (PM) or IHCD Emergency Technician or the VAS equivalent. Plus enough qualified first aid personnel to cover the course layout, size and type of event subject to medical requirements as shown in this Handbook.

1. If only one ambulance is listed as the minimum requirement at an event then organisers are reminded that if it has to leave the event then all practicing and racing must stop until its return or replacement. It is incumbent therefore on organisers of events to remember their commitment and duty of care to competitors in ensuring that sufficient medical services for the type of event, dictated by a risk assessment of the expected number of injuries, are in place prior to the start of practising and racing and remain in place until the event has completely finished.
2. Auxiliary vehicles, such as 4x4 with a stretcher, cannot replace an Ambulance but such vehicles might, at certain event sites, be used in addition to and as the final form of transportation to the Ambulance for the event.
Note A 4x4 vehicle can be an ambulance if registered with the DVLA as an ambulance.
3. If there is a requirement for first aid personnel to be present then they can be the two crew members of an Ambulance, assuming that one is present as a minimum requirement, but they must be available for all the practices and races. Such first aid personnel are an additional requirement to any doctors or paramedics required to be present at the meeting.
4. If there is a requirement for full first aid equipment, including a stretcher, then this can be the same equipment as that defined in the minimum equipment requirements for an Ambulance.
5. If the minimal medical cover required is for only one Doctor or only one Paramedic to be present then, if the only one available has to leave, for whatever reason, the practices or races must stop until their return or replacement.
6. If a Doctor is required at an event then they must be on site. It is not sufficient to have the name and address of a distant doctor, who would or might be available if required.
7. The nearest hospital, with an Accident & Emergency Department, must be notified in writing of the time, date and place of the meeting.
8. If a Doctor is involved in the treatment of competitors or spectators at an event, they should not normally be involved with drug or alcohol testing of competitors.
9. If a medical centre is available at a circuit or the site of an event then it should be fully operational and independently staffed. If deemed acceptable, an Ambulance or similar unit may act as a medical centre but if so, it must be additional to the minimum Ambulance requirements.
10. If no Medical officer or Paramedic is required at an event then at least one of the two Ambulance crew must be qualified as an IHCD Emergency Technician or the VAS equivalent, rather than just a first aid person.
11. If a competitor is involved in an incident involving potential injury, but is not, at the time,

taken to Hospital for further treatment, then a relative, or a member of their crew, should be given a copy of the medical assessment or Ambulance report form completed by the event medical personnel following the incident.

8.2 CLOTHING

1. All competitors must wear a helmet. For information regarding helmets please refer to the helmet section within this Handbook.
2. Motorcycle clothing accessories (not helmets) sold as 'protective' to a supplier must display a "CE Mark" denoting compliance with a European Community Directive regarding Personal Protective Equipment.
3. Competitors are advised not to wear hand, face or body jewellery/piercings which could prove hazardous in the event of an accident.
4. The mouth should be kept clear of anything likely to cause blockage of the airway in the event of an incident, e.g. chewing gum. This includes removing false dentures.
5. It is not advised that bulky hard objects such as tools etc. are carried in pockets or on the person.
6. Goggles or visor of a non-splinterable type must be worn at the commencement of each race. Spectacles, if worn, must be non-splinterable.
7. It is advised that all riders and passengers should wear a body belt/kidney protector and wear protective armour giving protection to at least the chest and shoulders.
8. All riders and passengers are requested to wear identification discs around the neck or wrist during racing and practising. The disc should bear the wearers full name and date of birth.
9. It is the responsibility of the riders parent/guardian to ensure that all protective clothing is correctly fitting for youth competitors.

8.2.1 MOTOCROSS, SUPERCROSS AND BEACHCROSS

In all races and official practice complete protective clothing produced for motocross racing, knee length boots and gloves shall be worn by each rider and passenger. It is advised that motocross jerseys should provide protection against abrasion to the body and arms and that motocross jeans are padded at the hips and knees.

8.2.2 MINIBIKE

In all races and official practice complete protective clothing shall be worn by each rider. It is advised that Ankle boots should reach above the ankle ball. Ankle braces laced up properly and fit closely could be worn under the boot to increase stability. Jerseys should provide protection against abrasion to the body and arms. If short sleeved jerseys are worn then elbow pads must be worn to protect exposed skin. Trousers/shorts must provide protection to the knee, shin and hips. If Motocross style shorts are worn then they must cover the knee and must be used in conjunction with a knee, shin pad combination.

8.3 TRACK SAFETY

See ACU Course Guidelines booklet 2011.

8.4 FIRE EXTINGUISHERS

All competitors must have a 2 kg (minimum) dry powder fire extinguisher available for immediate use. If a 'closed vehicle' is being used the extinguisher must be fitted adjacent to, or on the inside of the working door. In the case of a shared vehicle the other competitors extinguisher(s) should also be visible, or, the fitted extinguisher(s) must be of a proportionately larger capacity. All extinguishers must have a current certificate attached.

8.5 RIDING IN THE PADDOCK

Riding of machines in the paddock is strictly prohibited and warning signs should be erected. Machines should be pushed with the engine dead. Riding of machines at a slow pace can be permitted if designated lanes are provided. Machines must be pushed upon exiting from any point on these lanes. Riding to and from the Paddock – In exceptional circumstances or if permitted by the Clerk of the Course riders must not exceed first gear idle when travelling to and from the paddock area and must always wear a helmet.

8.6 TRACK ACCESS

Strictly no personnel, other than signed on officials, are permitted on the track while machinery is operating.

8.7 FLAG SIGNALS

The following flag signals will be used:

National Flag	This flag can be used for starting a race.
Red	All Riders must stop. Riders must not pass any red flag unless authorised or directed to do so and then proceed at a slow pace.
Black with the riders number clearly shown on a board	That rider to stop racing immediately and leave the track.
Yellow Motionless	Danger, take care. ride with caution.
Yellow Waved	Great Danger, prepare to stop, ride with extreme caution, no overtaking .
Marshals are only advised to wave their flags when riders are stopped on the course in a dangerous position or being attended to by officials or medical staff	
Green	Riders under starters orders.
Blue	Warning you are about to be lapped.
Yellow with Black Cross	Last Lap./(either or) a two lap and then one lap board, clearly marked.
Chequered	Finish.
White with Green or Red Cross:	Medical attention required at that post.

N.B. 'Waved' shall mean a flag should be moved up and down through an arc of 45 degrees and not indiscriminately.

Only authorised officials are permitted to use these flags. Any rider who is judged to have taken unfair advantage whilst a yellow flag is displayed and waved, or ignored any other flag signal, may be disqualified. All of the above flags should measure not less than 750mm × 600mm.

SECTION 9 RACE MANAGEMENT

9.1 ENTRIES

A motorcycle sport entry form must be completed and signed by each entrant, rider or passenger. All riders, passengers and appointed persons responsible for minors must register arrival at an event by signing on at the event race office or designated area.

9.2 PRACTICE

1. Time must be put aside for the practice sessions and these must be defined in the Supplementary Regulations for the meeting.

2. Riders will commence practice under the instructions of the start officials and must join the circuit from the designated area.
3. The duration of practice will commence from the time when the first rider joins the circuit.
4. The waving of the chequered flag will indicate the end of practice.
5. For any race there must be a minimum period for practice on the actual course, the details of which must be stated in the Supplementary Regulations.

9.3 START POSITIONS

1. Start positions will be established according to the provisions of the Supplementary Regulations.
2. Where the organisers decide the grid positions will be by ballot this must be conducted by the competitors at the meeting.

9.4 ELECTRONIC TIMEKEEPING

1. Only licensed ACU, MSA or equivalent Timekeepers can time a qualification practice where qualification to a final, a series of races, or start line positions is the determined outcome. Organisers must inform competitors if times are official or unofficial. The Chief Timekeeper should be stated in Supplementary Regulations, official programmes and on all results sheets provided.
2. Electronic lap scoring equipment does not require official timekeepers to operate a system but it is advised that manual lap scoring is carried out to support an electronic system.
3. If timed practice is used and identical times are recorded by more than 1 rider in the official qualifying practice session for the race the rider first setting such a time will receive the better starting position.
4. Transponders, if used, should be fitted to the machine as per the timekeepers or manufacturers instructions, it is the riders responsibility to ensure that the correct transponder is securely fitted, it is the riders responsibility if a transponder is lost from the machine during an event. Note: An AMB – MX transponder requires a minimum of 14 hours of trickle charge to ensure optimum performance.

9.5 RACES

1. The race category and durations should be stipulated in the Supplementary Regulations.
2. In the event of a race being cancelled due to insufficient entries, the promoters reserve the right to offer the race time and prizes for a race of similar length for machines of another class or category.

9.6 METHOD OF STARTING

The method of starting shall be stated in the Supplementary Regulations.

9.7 STARTERS ORDERS

1. Riders are deemed to be under starter's orders when the first rider is called to the start line, signified by the raising of a green flag.
2. Any rider causing a start to be unnecessarily delayed in the opinion of the starter and/or the Clerk of the Course may be disqualified.
3. No persons will be allowed in the start area once riders have come under orders at the start line, except riders, passengers and authorised officials.
4. Once the riders are under starter's orders, the start procedure should not commence until the circuit is clear, signified by the lowering of the green flag.
5. If a 15 and 5 second board is used the following procedure will be followed.
 - The 15 second board will be displayed for a full 15 seconds
 - The 5 second board will be displayed for a full 5 seconds

- The gate will drop between 5 and 10 seconds after the “5 seconds” sign is shown

9.8 FALSE STARTS

All false starts shall be indicated by the waving of a red flag, all riders will have to go back to the starting area and await announcements regarding the restart.

9.9 STOPPING A RACE

1. If a race is stopped before three laps have been completed, the race shall be re-run.
2. If after three laps and before 50% of the race time, excluding any additional laps, has been completed it may be re-run at the discretion of the Clerk of the Course.
3. If a race is stopped after 50% of the race time has elapsed, excluding any additional laps, the result will be declared on the last completed lap.
4. In the event of a race being re-run the Clerk of the Course may disqualify any rider or riders who is/are the prime cause of the race initially being stopped.
5. If a race has to be stopped after the leader has completed 50% of the race distance, excluding any additional laps, rounded down to the nearest number of laps, it will be considered to have finished.
6. a) The order of classification shall be based upon the order of last crossing the finishing line prior to the showing of the red flag and only competitors who are racing at the showing of the red flag will be classified.
b) If a race has to be stopped after the leader(s) has taken the chequered flag they will be classified as having finished the race. The order of classification for those riders who have not taken the chequered flag shall be based upon the order of last crossing the finish control line prior to the showing of the red flag and only competitors who are racing at the showing of the red flag will be classified.
c) The Clerk of the Course may exclude a rider from the results who has deemed to be the cause of the red flag incident. He will not be permitted to start in a re-start.
7. For Adult National races to be classified as a finisher, riders must have completed 75% of the total laps completed by the race leader, or as per the Supplementary Regulations.
8. For Youth National races to be classified as a finisher, riders must have completed 50% of the total laps completed by the race leader, or as per the Supplementary Regulations.
9. Only the Clerk of the Course or his assigned assistants can stop a race, all courses must have sufficient assistants to ensure that when a race is stopped this decision is communicated to all of the riders as quickly as possible. A TTC can state how many assistants are required for a course and if radio communication is required.
10. For British Championship races please refer to the Supplementary Regulations.

9.10 FINISH OF RACE

1. The chequered flag will be displayed as the winner crosses the finish control line and will be kept flying thereafter until the last riders finish the lap.
2. No rider will be allowed to start a fresh lap after the chequered flag has been displayed.
3. Riders crossing the finish control line will be flagged off, their position being determined by the number of laps each has completed, those riders who complete a similar number of laps having their positions determined by the order in which they finish.
4. Only riders crossing the finish control line within the time limit laid down in the Supplementary Regulations will be declared as finishers.
5. For all Adult National races. To be classified as a finisher riders do not have to cross the finish control line, but riders must have completed 50% of the total laps completed by the race leader, or as per the Supplementary Regulations.
6. For all Youth National races. To be classified as a finisher riders do not have to cross the finish

control line but riders must have completed 50% of the total laps completed by the race leader, or as per the Supplementary Regulations.

9.11 RACE RESULTS

1. If the results are to be decided on points, the points allocation must be clearly defined in the Supplementary Regulations along with the method of deciding ties.
2. When a race has been completed the results will be based on the order in which a rider crossed the finish control line and the number of laps completed.
3. Should a tie occur on an overall result the highest position in the final leg will determine the final order.
4. It is the rider's responsibility to check the official results board/sheets for his finishing position and/or any penalties issued.

9.12 CHANGE OF MACHINE

A change of machine may be permitted provided that prior notification is made to the Clerk of the Course before the event in which the change is to take place. The same machine must be used throughout any one race.

9.13 CHANGE OF SIDECAR PASSENGER

1. The only reason to change a passenger is injury and only one change per meeting will be allowed.
2. The passenger must sign on, have the correct licence, and complete a sighting lap.
3. Application for a change must be in writing to the Clerk of the Course at least 30 minutes before the start of the race.
4. The final decision will be left with the Clerk of the Course.

9.14 OUTSIDE ASSISTANCE

1. If during a race a rider and/or passenger receives outside assistance other than that provided by the Organisers for the removal of himself or his machine from the course in the interests of safety, that rider may be disqualified.
2. Riders receiving signals from persons associated with them in prohibited areas may be disqualified.
3. The use of two way radios with a rider/passenger is prohibited.

9.15 FOUL, UNFAIR OR DANGEROUS RIDING

The Clerk of the Course may penalise any rider who, in his opinion, is guilty of unfair, foul or dangerous riding.

9.16 COURSE CONDUCT

If, for any reason, a rider leaves the course, he must rejoin it as closely as possible at the point where he left the course without any outside assistance. He must not gain any advantage. If any advantage is obtained he may be penalised or disqualified from the results.

9.17 AWARDS

1. Awards of any description must be described in the Supplementary Regulations; the method of distribution must be announced before the completion of the event.
2. Awards for youth riders in youth events: Cash, gift vouchers, and goods are only permitted in the group A1 Open class and group G (Quad) 250cc Youth classes.

SECTION 10 GENERAL

10.1 INSTRUCTIONS TO RIDERS

Any Supplementary Regulations or instructions to riders subsequently issued, shall have the same force as these Standing Regulations but must in no way contradict these Standing Regulations.

10.2 CONDUCT

Riders, parents or associates failing to obey instructions given by officials of the meeting or deemed to have unjustifiably or maliciously jeopardised the efficient running of the meeting by not adhering to the Regulations, Supplementary Regulations or the protest procedure, may be disqualified from the meeting.

See also the National Sporting code, Offences and Penalties.

10.3 PARENTAL RESPONSIBILITY

It is a parent's or guardian's responsibility to ensure that children stay within the confines of the event site and obey all instructions issued by the organiser.

10.4 DECLARATION

It is a condition of acceptance of entry that the promoters shall not be responsible for any damage to a motorcycle or its accessories whether by fire, accident or other causes, nor for the theft of a motorcycle or its accessories before, during and after the meeting.

10.5 COMPLIANCE WITH REGULATIONS

Every rider by entering or being entered or nominated, thereby acknowledges that he is bound by the National Sporting Code of the ACU and these Standing Regulations together with any Supplementary Regulations or Conditions and Final Instructions to be hereafter issued, to all of which he undertakes to submit and, moreover, renounces any right to have recourse to any arbitration or tribunal not provided for. All safety precautions for ACU Motocross events are available in a separate publication from the ACU.

10.6 DOGS AT OFF ROAD MOTORCYCLE EVENTS

Whilst dogs are not discouraged from attending Off Road Motorcycle Sport events, they are to be kept on a lead and under control at all times. Owners are responsible for ensuring their dog is kept under control and are responsible for clearing up any fouling that may occur.

SECTION 11 BEACHCROSS

11.1 SPECIFICATION OF MOTORCYCLE

All machines must comply with the appropriate specification applicable to the type, that is to say, Trial, Trail, Enduro, Motocross or ATVs. Paddle or scoop tyres are strictly forbidden.

11.2 LPG FUEL/DIESEL

Vehicles using LPG fuel must comply with the LPGA Code of practice 11. for auto gas installations June 2001, and will be subject to refuelling regulations, including a minimum 11kg fire extinguisher. Diesel fuel must be 'roadside pump' available.

11.3 CIRCUIT

Hazards should become progressively harder around the circuit so that large numbers of riders are not stopped at the first hazard on the first lap. A number of flag marshals must be placed at each obstacle subject to the pre race risk assessment.

11.4 STARTERS ORDERS

A rider shall be deemed to be under starter's orders when he collects his machine from the parc ferme/waiting zone.

11.5 FINISH OF A RACE

The chequered flag will be displayed as the winner crosses the finish control line and will be kept flying thereafter until the last rider finishes that lap. No rider will be allowed to start a fresh lap after the chequered flag has been displayed. Thereafter riders crossing the line will be flagged off, their position being determined by the number of laps each has completed, those riders who complete a similar number of laps having their positions determined by the order in which they finished within the time limit laid down in the Supplementary Regulations will be declared finishers. The organisers reserve the right to declare in the Supplementary Regulations the distance required to be declared a finisher.

11.6 DURATION OF A RACE

As specified in the Supplementary Regulations.

11.7 INTERRUPTION OF A RACE

The Clerk of the Course for reasons of safety may temporarily stop the event by the waiving of a red flag at any point on the circuit. The race will resume on the raising of the green flag by the Clerk of the Course.

11.8 DISQUALIFICATIONS

Any rider considered for disqualification may be allowed to complete the race and be disqualified, subject to protest and appeal procedures. If in the opinion of the Clerk of the Course the offence is undisputable the rider can be disqualified from the race immediately. The Clerk of the Course must write down the time, details of the offence and time of the disqualification to be given to the Stewards as soon as is possible.

SECTION 12 CROSS COUNTRY QUADS STANDING REGULATIONS**12.1 MEETINGS****12.1.1 DEFINITION**

Cross Country events are controlled Group Start events which are a test of endurance and reliability. Competitors will be required to complete a number of laps within a time set by the organisers. The duration of events will be stated in the Supplementary Regulations.

12.1.2 PROCEDURE FOR STOPPING AN EVENT

Where it is deemed necessary to stop an event, only the Clerk of the Course or his assigned assistants can stop an event. All courses must have sufficient assistants to ensure that when a race is stopped this decision is communicated to all of the riders as quickly as possible.

12.2 ELIGIBILITY**12.2.1 ELIGIBILITY**

All Adult riders must hold a current ACU or SACU licence and be a minimum age of 15 years. (Subject to the applicant holding an annual ATV licence issued by the ACU or SACU and having had 2 years previous racing experience, if an applicant cannot meet the above criteria then the minimum age will be 16 years).

Any rider from another FMN MUST produce a licence issued by their FMN together with start permission and proof of personal accident Insurance.

Day Licences. A one event Competition Licence grants the same benefits of an annual licence for the duration of the one event and is available for up to and including National Status.

Youth rider may compete in these events but must be a minimum of 7 years of age and a maximum of 16 years and is restricted to a maximum machine capacity of 250cc.

12.2.2 CAPACITY & RESTRICTIONS

Subject to the Supplementary Regulations any quad machine which complies with the Motocross Specifications as per the current ACU Handbook, may be allowed.

Adults +15 yrs

C1: Championship	For machines up to 550cc max 2 cylinder 2 stroke or up to 800cc 4 stroke max 1 cylinder
C2: Experts	For machines up to 550cc max 2 cylinder 2 stroke or up to 800cc 4 stroke max 1 cylinder
C3: Clubman	For machines up to 550cc max 2 cylinder 2 stroke or up to 800cc 4 stroke max 1 cylinder
C4: Utility & 4x4	For machines up to 550cc max 2 cylinder 2 stroke or up to 800cc 4 stroke max 1 cylinder

Youth

Y1: 250cc Stock	Yamaha 250cc Raptor Factory Delivered Spec + Optional Steering Damper, throttle & handlebar choice.	11–16 years
Y2: 250cc Standard	200cc 2 stroke. 250cc air-cooled. 4 stroke Production Quads built by the manufactures. There will be no modifications whatsoever allowed to engine, exhaust, carburetor, air box, clutch, electrics etc. Frame and engine must be by the original manufacturer. Engines must not have exceeded 200cc 2 stroke or 250cc 4 stroke at time of manufacture	11–16 years
Y3: 250cc Modified	200cc 2 stroke. 250cc air-cooled. 4 stroke Production Quads. Performance Modifications are allowed to the engine up to a maximum of 200cc 2 stroke or 250cc 4 stroke. Frame and engine must be by the original manufacturer. Engines must not have exceeded 200cc 2 stroke or 250cc 4 stroke at time of manufacture	12–16 years
Y4: 150cc Open	100cc 2 stroke, 150cc water cooled 4 stroke Quads. EATV, RM150 or Approved machines. Modifications are allowed to the engine up to a maximum of 100cc 2 stroke or 150cc 4 stroke. Engines must not have exceeded 100cc 2 stroke or 150cc 4 stroke at time of manufacture.	8–16 years
Y5: Beginner Production	70cc 2 stroke, 90cc 4 stroke Quads. Production machines built by the manufacturer. Engines must not have exceeded 70cc 2 stroke or 90cc 4 stroke at time of manufacture.	7–8 years

12.3 CLASS VARIATIONS

12.3.1 VARIATIONS

The Youth class must be run as a separate session from any Adult classes at the same event and must not be combined with any Adult classes at the same event. Youth capacity/Age/ability classes must be stated in the supplementary regulations.

12.4 LICENCES AND REGISTRATIONS (OFFICIALS)

As per Motocross Standing Regulations

12.5 SPECIFICATION OF A MOTORCYCLE

Category G (Quad) shall comply with the National Sporting Code appendix D and the following:

12.5.1 MOTORCYCLES

Subject to the Supplementary Regulations any Quad which complies with the Motocross Specifications as per the current ACU Handbook may be allowed.

12.5.2 TYRES

Tyre type is optional or as stated in the Supplementary Regulations.

12.6 NUMBER PLATES

All Quad machines must be fitted with a front & rear number plate of a minimum size of 150mm x 150mm with the rear mounted behind the rider on the rear grab bar, and be in line with the machine reading left to right on both sides. The mounting bracket must not be higher than 150mm. Height of the number 100mm. Width of the number 80mm. Width of stroke 25mm. Space between two numbers 15mm.

Adult Quads	Background Colour	Number Colour
C1: Championship	Red	White
C2: Experts	Green	White
C3: Clubman	Yellow	Black
C4: 4x4 Utility	White	Black
Youth – Quads		
Y1: 250cc Stock	Yellow	Black
Y2: 250cc Standard	White	Black
Y3: 250cc Modified	Blue	White
Y4: 150cc Open	Red	White
Y5: Beginner Production	Green	White

12.7 TECHNICAL CONTROL

- 1 As per Motocross Standing Regulations
- 2 **Helmets** – Helmets bearing the ACU gold or silver stamp, in sound condition and properly fitted must be worn by all competitors. Please refer to the section in this Handbook titled ‘Helmets’ for other important information and conditions concerning European Community Exemption.
- 3 **Jewellery** – Competitors are advised not to wear hand, face or body jewellery which could prove hazardous in the event of an accident. The mouth should be kept clear of anything likely to cause a blockage of the airway in the event of an accident, e.g. chewing gum. This includes removing false dentures.
- 4 **Noise control** – Machines must be within the noise levels currently in force for that category of machine (see respective Standing Regulations).

12.8 SAFETY

12.8.1 MEDICAL SERVICES

As per Motocross Standing Regulations.

12.8.2 CLOTHING

As per current Motocross/Enduro Standing Regulations.

12.8.3 FIRE EXTINGUISHERS

All competitors with the exemption of those travelling to an event on the machine on which they are competing, must have a 2kg (minimum) dry powder fire extinguisher available for immediate use. If a ‘closed vehicle’ is being used the extinguisher must be fitted adjacent to, or on the inside of the working door. In the case of a shared vehicle the other competitor’s extinguisher(s) should also be visible, or, the fitted extinguisher(s) must be of a proportionately larger capacity.

12.9 RACE MANAGEMENT

12.9.1 COURSE

Must be 'off-road' and the minimum time should be set in the Supplementary Regulations. The organisers may split the event into 2 or more legs if desired but the minimum time for each leg must be set in the Supplementary Regulations. The ratio of competitors to course will be – 30 riders per km of course, e.g. 180 riders must have 6 km lap distance etc.

Any restrictions on the number of machines used by Team riders are to be stated in the Supplementary Regulations. All machines used are to be subject to Machine Examination.

For the Y5 Beginner production class organisers must ensure visual contact is applied at each rider at all times.

Special attention should be given to riders in this class for fatigue during the race.

The organisers must also ensure that each rider entered in this class is able to reasonably control their machine and should be identified by the wearing of a high visibility bib.

12.9.2 START

The start must be set out so that riders will start in groups which will be decided by the organisers e.g. capacity classes, ability classes etc. These groups will be defined in the Supplementary Regulations.

The number of riders in each group – which must not exceed 40 – and the start interval between groups – which must be no less than 30 SECONDS – will be decided by the organiser and due regard to course layout and the approval of the permit issuing authority. The organisers must ensure that the entire entry must be able to start and leave the start area before earlier riders start subsequent laps. In all circumstances there must be a dead engine start. This may limit the size of entry. Any rider who fails to start their machine at the allotted start time for their group will be credited for that original start time regardless of the actual time that they start. Start procedure will be stated in the Supplementary Regulations.

12.9.3 LAP SCORING AREA

An area must be designated which allows riders to pass through single file gates where their number will be recorded on the completion of every lap. Where there is more than one class the organiser may set alternative durations to suit the varying abilities. The organisers may stipulate that riders have to stop. The lap scoring area will be deemed as a "Blue Tape" area and marked as such.

12.9.4 FINISH

After the specified time/number of laps, the riders will be diverted through the lap scoring area and then from the course.

12.9.5 FINISHING ORDER

The winner overall and of any respective classes will be the riders who have achieved the closest number of laps to the duration set on the allotted time. Each riders start time will be taken as their respective groups start time, or individual start time as decided by the Organiser and their individual finish time will have been recorded.

12.9.6 FINISH OF RACE

1. The chequered flag will be displayed as the winner crosses the finish control line and will be kept flying thereafter until the last riders finish the lap.
2. No rider will be allowed to start a fresh lap after the chequered flag has been displayed.
3. Riders crossing the finish control line will be flagged off, their position being determined by the number of laps each has completed, those riders who complete a similar number of laps having their positions determined by the order in which they finish.
4. Only riders crossing the finish control line within the time limit laid down in the Supplementary Regulations will be declared as finishers.
5. For all Adult National races. To be classified as a finisher, riders do not have to cross the finish control line, but riders must have completed 50% of the total laps completed by the race leader, or as per the Supplementary Regulations.
6. For all Youth National races. To be classified as a finisher, riders do not have to cross the finish

control line but riders must have completed 50% of the total laps completed by the race leader, or as per the Supplementary Regulations.

12.9.7 TIES

Will be decided on the laps completed and the individual times of each rider.

12.9.8 CHECKS

The start/finish will be the only time check. There should be adequate marshals/route checks on the course to prevent course cutting.

12.9.9 MARSHALS

Organisers should place marshals at strategic points around the course to monitor safety and ensure control of event. Additional clearly identified Travelling Marshals can also be used to achieve this.

12.9.10 PUBLIC SPECTATOR AREAS

The Supplementary Regulations must announce the provision of clearly identified specific areas which must be used by all non competitors other than riders or officials. Warning notices must be placed at appropriate points around the course to prevent public access.

12.9.11 RESTRICTED SPEED (BLUE TAPE) AREAS

These areas MUST be established on the approach to the Time Control/Lap Scoring area and any Re-fuelling and works areas. Within 'BLUE TAPE' areas the rider must not exceed walking pace, under Penalty of exclusion. The Incident Officer/Clerk of the Course may also establish 'BLUE TAPE' areas at other parts of the course if required.

12.9.12 RE-FUELLING

A suitable and restricted area must be marked out adjacent to the course as a pit area. Access to this area must be restricted to marshals, riders and authorised helpers. The area should be manned by marshals and access only allowed to officials, competitors and authorised helpers. The Organiser MUST establish a fire point, clearly indicated and with the appropriate fire extinguishers present. Each rider shall ensure that his re-fuelling crew, have a fire extinguisher at the re-fuelling point as described in Regulation 3.13. 'No Smoking' signs should be displayed.

THE ENGINE MUST BE STOPPED AND THE RIDER OFF THE MACHINE DURING REFUELLING. NO SMOKING ALLOWED. REFUELLING MAY ONLY BE CARRIED OUT IN THE DESIGNATED AREA.

12.9.13 OUTSIDE ASSISTANCE

1. If during a race a rider and/or passenger receives outside assistance other than that provided by the Organisers for the removal of himself or his machine from the course in the interests of safety, that rider may be disqualified.
2. Riders receiving signals from persons associated with them in prohibited areas may be disqualified.
3. The use of two way radios with a rider/passenger is prohibited.

Assistance will only be allowed in the pit area, except when provided on the course by the organisers.

12.10 GENERAL

12.10.1 ENTRIES

A Motorcycle Sport Events Entry Form must be completed in every detail, and signed by each entrant, rider. (N.B. a requirement of signing and entry application form is that each signatory understands the National Sporting Code of the ACU, Standing Regulations, such Supplementary Regulations as have been issued for the event and such Final Instructions subsequently issued, and agrees to be bound by them).

Limitations of Entries. If entries are to be limited, the maximum number and method of limitation (i.e. in order of receipt, by ballot etc.) Will be stated in the Supplementary Regulations.

Child Protection. The point of contact for Child Protection issues will be the Secretary of the Meeting unless otherwise stated in the Supplementary Regulations.

12.10.2 ACCEPTANCE OR REFUSAL OF ENTRY

The Organiser must notify all riders of the position regarding their entry prior to the event. The method for notification will be stated in the Supplementary Regulations for the event.

12.10.3 PUBLIC WARNING

Notices must be displayed in accordance with the Safety Precautions section of the current ACU Handbook.

12.10.4 DOGS

Whilst dogs are not discouraged from attending Off Road Motorcycle Sport events, they are to be kept on a lead and under control at all times. Owners are responsible for ensuring their dog is kept under control and are responsible for clearing up any fouling that may occur.

12.10.5 COMPLIANCE WITH REGULATIONS

Every rider by entering or being entered or nominated, thereby acknowledges that he is bound by the National Sporting Code of the ACU and these Standing Regulations together with any Supplementary Regulations and Final Instructions to be hereafter issued, to all of which he undertakes to submit and moreover renounces any rights to have recourse to any arbitrations or tribunal not provided for.

SECTION 13 GRADING

12.1 ACU MOTOCROSS RIDERS EXPERT GRADING SCHEME (ADULT)

Expert status will be given to riders who appear on the Expert list compiled by the ACU Office

You can qualify for Expert Listing by the following means:

- Point scorer in an adult National Motocross Championship
- Registered Rider in the ACU British MX Championship – MX1/MX2
- Top 10 point scorer in the BYMX Championship – Open class
- Selected by Centre Recorders based on Regional or Club Championships.
- Upgraded by the Motocross Committee

Riders may be removed from the list after two years if they have not scored any regional or national Championship points.

UPGRADING TO INTERNATIONAL

Once you have gained your expert status you are eligible to apply for an International Non Championship licence.

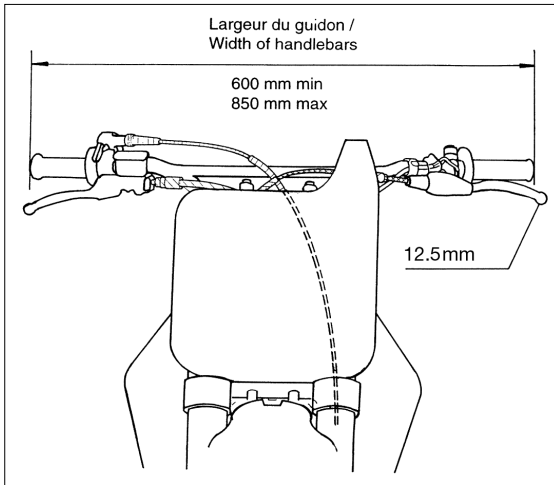
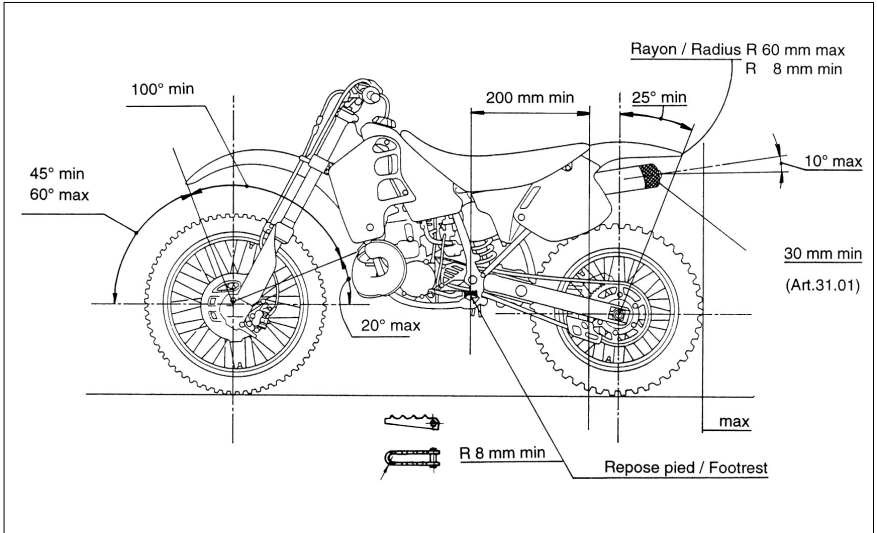
Sidecar Competitors – There will be no grading for sidecar competitors

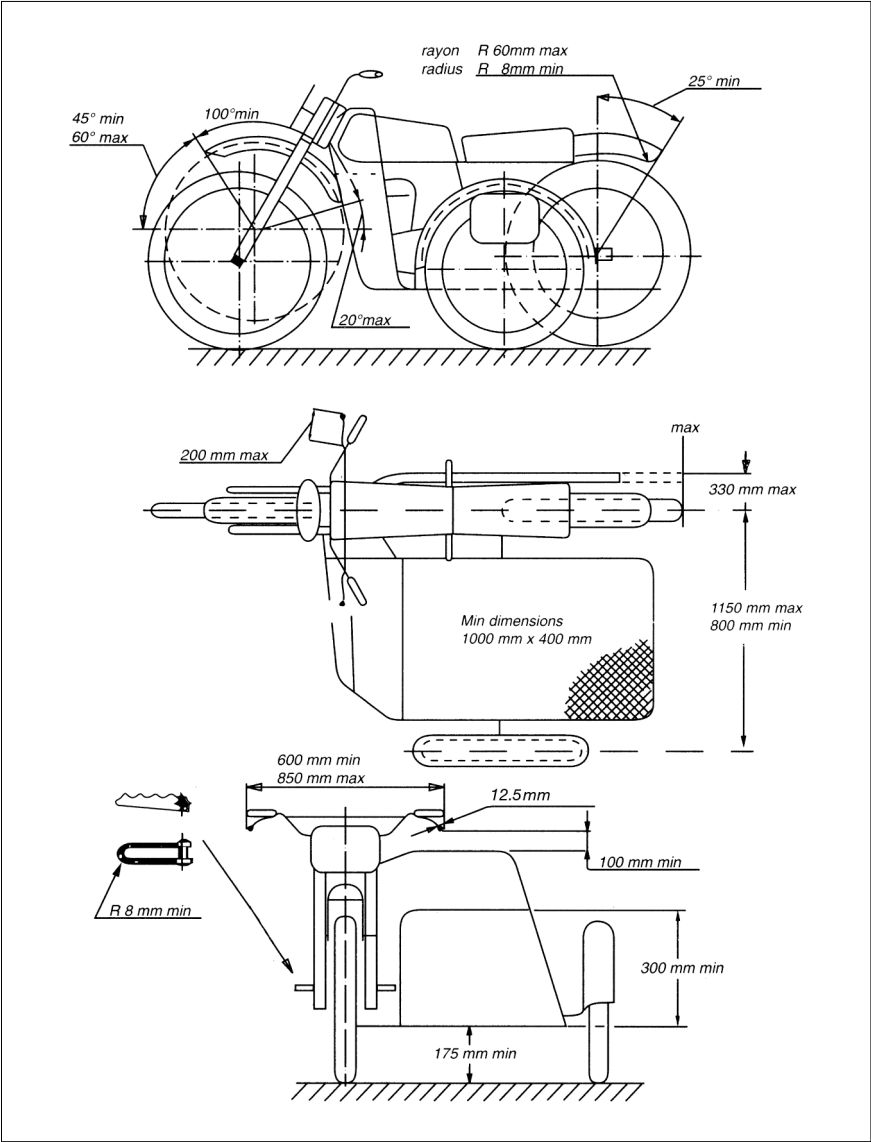
Quad Riders – There will be no grading for quad riders

The Central Recorder for the Motocross Grading Scheme is:

Mrs S Goggin, ACU House, Wood Street, Rugby, Warwickshire, CV21 2YX. Tel: 01788 566404

SECTION 14 MOTOCROSS MOTORCYCLE





Enduro

SECTION 1 GENERAL	160
SECTION 2 TECHNICAL	162
SECTION 3 PROCEDURES	164
SECTION 4 ADDITIONAL STANDING REGULATIONS FOR ADULT SHORT COURSE ENDURO EVENTS	171
SECTION 5 ADDITIONAL STANDING REGULATIONS FOR YOUTH SHORT COURSE ENDURO EVENTS	172
SECTION 6 ACU DOODSON BRITISH ENDURO CHAMPIONSHIP REGULATIONS	172
SECTION 7 BRITISH/ACU CLUBMANS SIDECAR ENDURO CHAMPIONSHIP REGULATIONS	175
ACU BRITISH TWINSHOCK ENDURO CHAMPIONSHIP REGULATIONS	176

Hare and Hounds/Cross Country (Adult) Standing Regulations

SECTION 1 GENERAL	177
SECTION 2 TECHNICAL	178
SECTION 3 PROCEDURE	178

Hare and Hounds/Cross Country (Youth) Standing Regulations

SECTION 1 GENERAL	182
SECTION 2 TECHNICAL	183
SECTION 3 PROCEDURE	184
SPRINT ENDURO CHAMPIONSHIP REGULATIONS	188
ENDURO OFFICIALS	193

ENDURO STANDING REGULATIONS

NB: Organisers wishing to run an event which does not comply with the regulations set out in the following Enduro section are referred to the National Sporting Code Chapter 3 – Item 10 – entitled “Special Events Permits”. Championship regulations pertaining to the ACU British X/C Championship are available on the ACU website

DESCRIPTION – An Enduro is a long distance timed trial of endurance and reliability, not including observed sections.

SECTION 1 GENERAL

1.1 AUTHORISATION AND LAND CODE

Events depend on goodwill from landowners, local authorities, nearby residents and other users of the countryside. For the continuance of orderly motorcycle sport, a Code for Time and Regularity Events, formulated by LARA, has been adopted by the ACU. The Code is reproduced below and will supplement the Standing Regulations. It is to be noted that where necessary disciplinary action will be taken if the Code is not fulfilled.

- 1.1.1 Any Competitive event that is routed along, or across, footpaths or bridleways must be endorsed in advance by the Highways Authority for the area.
 - 1.1.2 The Organiser is responsible for obtaining authority from the landowners over whose land the event passes.
 - 1.1.3 Where the event requires use of public highway, organisers must ensure that the Motor Vehicles (Competitions and Trials) Regulations 1969 are strictly adhered to. Events requiring authorisation must obtain this through the RAC Motor Sport Association, Authorisation Dept. Events organised within the restraints of section 5b. of the 1969 act must inform the local police authority and act according to their instruction.
 - 1.1.4 The Organiser is responsible for ensuring the event meets all requirements of the Road Traffic Act 1988 and the Statutory Instruments made thereunder.
 - 1.1.5 The Organiser should appoint an officer responsible for event liaison. The Liaison Officer should, if appointed submit his name and address to the local Highway Authority, the Parish Council, the Police and landowners over whose land the event passes. The Liaison Officer will thoroughly investigate any complaints and try to resolve any problems arising from the event.
 - 1.1.6 Wherever possible the Liaison Officer should maintain good relations with other path users in the area, such as horse-riders, walkers, cyclists, recreational motoring groups and orienteers. The Liaison Officer shall notify these groups in advance of an event where they are known to him.
 - 1.1.7 The Liaison Officer shall be responsible for the provision and removal of signing for public safety in accordance with the guidance given on the relevant Safety Precaution pages of this Handbook. He should ensure that all marshals are adequately briefed about the public's rights and the purpose of the signs.
 - 1.1.8 All officials, marshals, support crews and competitors must follow the Country Code.
 - 1.1.9 Ensure that all aspects of the ACU Environmental Code are adhered to.
 - 1.1.10 Supplementary regulations should include a map reference/post code relating to the venue in order to assist the Emergency services.
- These Enduro Standing Regulations will apply to all Enduros together with the ACU Sporting Code and Supplementary Regulations issued.

1.2 ELIGIBILITY

All riders and passengers must hold a current ACU or SACU licence, and be aged 16 years or over. Any rider or passenger from another FMN MUST produce a licence issued by their FMN together with start permission and proof of personal accident Insurance.

Where the Enduro includes the use of public highways, then this will be stated in the Supplementary

Regulations. If public highways are used then it is sole responsibility of the rider to ensure that his machine is roadworthy and that he and his machine comply with all legal requirements. Child Protection. The point of contact for Child Protection issues will be the Secretary of the Meeting unless otherwise stated in the Supplementary Regulations.

1.3 ENTRIES

A Motorcycle Sport Event Entry Form must be completed in every detail, and signed by each entrant, rider or passenger. Each completed entry form, together with the entry fee (which includes insurance premiums), shall be forwarded to the Secretary of the Meeting. Details of the name, address and telephone fax number of the Secretary of the Meeting (or a deputy), all entry fees, closing date for entries, conditions for return of fees, and any other special requirements, may be obtained from the event Supplementary Regulations.

All riders and passengers must register arrival at an event by signing-on at the event control office, or other designated area, not less than 30 minutes prior to commencement of said competitor's practice or first competition, whichever occurs first.

Riders and Passengers under 18 years of age (Minors): In order to conform with the Children's Act legislation, additionally, for every rider or passenger who is under 18 years of age a Parental Agreement must be signed. This is incorporated in the Annual Competition and Trials Registration Form and once completed will serve as the riders Annual Parental Agreement. No further forms or proof of Parental Agreement are necessary. All minors will be bound by the directions of parent(s), guardian(s).

1.4 ACCEPTANCE OR REFUSAL OF ENTRY

Within seven days of the receipt of the completed entry form, the Organisers must notify riders of the definite position with regard to their entry and whether such entry has been accepted, or is being held in abeyance, or has been refused. Riders whose entries are held in abeyance, or offered reserve positions, may enter another event on the same day provided that within seven days of such notification they inform the Organisers concerned, in writing, of the withdrawal of their original entry, and in such circumstances the provisions of the ACU Sporting Code shall not apply. The closing date of entries, the conditions for return of Entry Fees and any other special requirements will be contained in the Supplementary Regulations. All Supplementary Regulations must carry the telephone number of a responsible official.

Limitations of Entries. If entries are to be limited, the maximum number and method of limitation (i.e. in order of receipt, by ballot etc.) will be stated in the Supplementary Regulations. Events using Public Highways are limited to 180 competitors, with the exception of exempt events. See RAC Motor Vehicles (Competitions and Trials) Regulations.

Change of rider. All entries will be deemed to be in respect of the rider so named and no change of rider will be permitted except in the case of "Team Only" competitions where the Team Entry is submitted by a Team Manager. For "Team Only" competitions any change of an individual entry will be subject to the conditions of the Supplementary Regulations.

1.5 INSTRUCTIONS TO RIDERS

Any written instructions subsequently issued shall have the same force as these Standing Regulations and the Supplementary Regulations.

1.6 CLASSES

Time Schedules and/or Routes may vary between classes – details will appear in the Supplementary Regulations.

Solo. There will be five recommended classes:

(1) Championship; (2) Expert; (3) Clubman; (4) Ladies; (5) Sportsman, for beginners and non-competitive riders on finishers award only basis. When a Ladies Class is included it is recommended

that the schedule should be as for Clubman Class. Supplementary Regulations must give details of any other persons eligible.

ALL CLASSES

E1 Two Stroke 100cc-125cc

E1 Four Stroke 175cc-250cc

E2 175cc – 250cc two stroke and 290cc – 450cc four stroke

E3 290cc – 500cc two stroke and 475cc and over four stroke

Any or all of the above groups may be included as quoted in Supplementary Regulations.

N.B. Organisers have the option of including additional classes or splitting classes.

Sidecar. There will be two recommended classes; Championship; Clubman.

Sidecar Capacity Groups. All unlimited.

Quads. A class for quads or sidecars may be included where the organiser has assessed that the course is suitable for that class of machine.

Closed Classes. Details of any closed classes will be quoted in the Supplementary Regulations.

Teams. Details of provision for nominated teams will be given in the Supplementary Regulations.

It is recommended that team results are worked out on the number of special tests ridden by clubman, plus rider's time lost on the course, in the normal way.

1.7 CHANGE OF MACHINE AND/OR PASSENGER

Any change of machine of a similar capacity group and/or passenger must be notified to the Secretary of the Meeting a minimum of 24hrs before the start of the Competition. Any restrictions regarding change in the capacity group of a machine may be detailed in the Supplementary Regulations.

SECTION 2 TECHNICAL

2.1 MOTORCYCLES

The responsibility is on the rider to ensure that his motorcycle complies with all legal requirements including horn, speedometer. All motorcycles must be fitted with working lights.

Machine Specification: Solo class category 1 group A1. Sidecar class category 1 group B1 and B2. Dimensions at the end of the Enduro Standing Regulations in this Handbook.

Brakes: Both front and rear wheels of the motorcycle will be braked.

Organisers may mark the following parts with paint which are inscribed with their number: (i) Main frame (ii) Both hubs. (iii) Silencers (these may be remarked if the competitor replaces the silencer during the event). At the end of the event machines should be examined for marks.

2.2 TYRES

Front and rear – must be 'Enduro' type to current FIM specification. (see diagram at the end of Enduro Section) In special circumstances an Organiser may specify another type in the Supplementary Regulations. Please note: Some Motocross Tyres do not comply with Road Traffic Act Regulations and are not permitted for events using the Public Highway. Only tyres available from commercial or retail sources are authorised. They shall appear on the tyre manufacturers range catalogue or tyre specification lists available to the general public. They must be manufactured to comply with the European Tyre and Rim Technical Organisation (ETRTO) requirements in respect of load and speed codes and have a minimum service description of 45M. The tyres must have an E Mark and/or DOT (American Department of Transportation) approval and DOT number must be moulded on the tyre wall.

Tyre Change: Inner tubes/mousses may be replaced at any time during the event but not whilst the bike is in the parc ferme. Tyres may only be changed at the day's final time check between the white and yellow flag, or in the morning in the work area.

2.3 FUEL

Commercially available unleaded fuel must be used. Power boosters or octane boosters are forbidden. The engine must not be running while refuelling is taking place. Mobile phones must not be used in refuelling areas.

2.4 CONTROL OF EXHAUST SOUND LEVEL

Only the 2 metre max test will be used.

It is the sole responsibility of the rider to present a machine complying with all Road Traffic Act(s) requirements including exhaust sound level. The sound level of an enduro machine controlled to the FIM/ACU 2 Metre Max method will not exceed 112 dBA – a Sound level of 79 dBA at 100 metres. (For precise method of testing, see Sound Control Regulations in this Handbook).

There may be one or more sound level tests taken during the event at any point on the route, as close as practical following a time check or refuelling area. Any rider who is required to take this spot test may, if he requires, claim a delay time allowance of TWO minutes at the next check point. If this two minutes is claimed then all following check times for the day will be plus 2 minutes. A rider who has changed his silencer must get it remarked at the next time check.

Any rider who fails the sound level test will face immediate disqualification and hand in his time card. At any time during the event, the Clerk of the Course or their appointed official is empowered to disqualify any machine they consider to be excessively noisy.

2.5 RIDERS NUMBERS

Riders must provide their own numbers which must be a minimum height of 100mm.

Championship Class – Red plates with white numbers on the front and sides.

Expert Class – Green plates with white numbers on the front and sides.

Clubman Class – Yellow plates with black numbers on the front and sides.

Sportsman Class – Black plate with white numbers on the front and sides.

Veterans Class – Blue plate with white numbers on the front and sides.

2.6 EXAMINATION OF MACHINES

Machines will be examined before the start to ensure compliance with the Standing Regulations and ACU Technical Specifications.

2.7 HELMETS

Helmets bearing the ACU gold or silver stamp and in sound condition and properly fitted must be worn by all officials, riders and passengers riding motorcycles or Quads throughout the event. Please refer to the section in this Handbook titled “Helmets” for other important information and conditions concerning European Community Exemption.

2.8 CLOTHING

Suitable strong clothing must cover legs, arms and body. Knee length boots and gloves in leather or other approved material must be worn. Helmets/Clothing must be presented to machine examiners at the same time as the machine. It is not advised that bulky hard objects such as tools etc. are carried in pockets or on the person.

2.9 JEWELLERY

Competitors are advised not to wear hand, face or body jewellery, which could prove hazardous in the event of an accident. The mouth should be kept clear of anything likely to cause a blockage of the airway in the event of an accident, e.g. chewing gum. This includes removing false dentures.

SECTION 3 PROCEDURES

3.0 TRANSPONDERS

Where Transponders or other electronic timing devices are required to be carried by the competitor to record times, the onus on ensuring the device is correctly fitted and maintained throughout the competition rests with the rider.

If competitors are required to supply their own transponders – details of this requirement must be stated in the Supplementary Regulations.

If an Organiser intends to “ Hire” or loan” Transponders or timing devices to individual competitors, details of any Hire or deposit scheme required must be clearly stated in the Supplementary Regulations.

3.1 SAFETY PRECAUTIONS

There shall be an Incident Officer appointed who will be responsible for arranging and coordinating both Medical and Fire Protection services. The Incident Officer may undertake other duties at the events. Marshals or First Aid officers should only travel in the same direction as competitors or use alternative routes, unless under the most severe circumstances, while carrying out their duties.

3.2 MEDICAL SERVICES

At all events qualified First Aid personnel must be in attendance with full First Aid equipment including a stretcher. A minimum of one ambulance and one other suitably identified vehicle which must also be equipped with and able to carry a stretcher must be available and one of these vehicles must always remain available at the event. Organisers must also refer to the “Medical Services & Definition” section of this Handbook.

3.3 FIRE PROTECTION

At each refuelling point and other areas of fire risk, a ‘Fire Point’ must be sited. The ‘Fire Point’ will be identified by a red sign upon which the words ‘Fire Point’ shall be printed in black letters. The sign shall be in an area that must be kept unobstructed at all times. Sufficient dry powder fire extinguishers shall be placed directly at the foot of the sign.

3.4 PETROL TAPS

Riders must check that their petrol taps are turned off before leaving their motorcycles in the Parc Ferme.

3.5 WARNING NOTICES

The Incident Officer will be responsible for the siting of approved WARNING NOTICES (see Safety Precautions Section of Handbook for further details) at entry to event site, paddock and appropriate places around the course such as Tests and spectator points.

3.6 RESTRICTED SPEED (BLUE TAPE) AREAS

These areas MUST be established on the approach to the Time Control Clock and refuelling points will be identified by BLUE TAPE defining the route. Within BLUE TAPE area riders MUST NOT exceed walking pace, under penalty of disqualification. The Incident Officer/Clerk of the Course may also establish BLUE TAPE areas at other parts of the route if required. The BLUE TAPE area must be clearly identified by signs. In addition, a board, at least 600mm × 300mm with diagonal blue stripes on a white background will indicate the start of the BLUE TAPE Area. A similar board with a Black Cross will indicate the end of the BLUE TAPE Area.

3.7 CLOSED CONTROL (PARC FERME)

After preliminary examination the machine may be placed into a parc ferme. Where possible it

should be properly fenced, otherwise its limits should be properly marked and controlled by officials to ensure that only authorised persons may enter. Access to the parc ferme is only allowed to the Stewards of the Meeting, Clerk of Course and officials controlling the area. Riders and passengers may only enter when parking or collecting their machines and must not interfere with other machines. If any work or adjustments are made to a machine whilst in the Parc Ferme the rider will be excluded. Machines must either have a fitted or temporary stand and must not be covered in any way whilst in the Parc Ferme. In events of more than one day's duration, where organisers do not intend to place machines in the Parc Ferme overnight but return them to riders, this must be clearly stated in the Supplementary Regulations.

3.8 WORKING AREA/MACHINE MAINTENANCE

For multi day events either a Working area should be established, or as an alternative, competitors should be allowed time before the final time check of the first day.

With Working Area

This should also, where possible, be properly fenced or marked and should be either immediately adjacent to the Parc Ferme, or connected to it by a short enclosed route, from which there is only one exit into the starting area. A roped enclosure may be provided within the perimeter of the work area, into which a riders assistant maybe allowed with a mousse board/fuel etc. The assistant cannot enter the work area but is allowed to pass equipment under the rope to the rider. All adjustments, refuelling etc. are to be carried out in the working area, access to which will only be allowed to competitors. Stewards of the Meeting, the Clerk of the Course and Officials-in-Charge of the area and accredited Members of the Press. No assistance may be given in the working area and the penalty for breaking this rule is exclusion. If any work or adjustments are made to a machine in the Parc Ferme the rider will be excluded. Organisers must ensure that both Parc Ferme and working areas are of sufficient size to accommodate entry without congestion and provide proper fire fighting equipment. Smoking is strictly prohibited in both these areas.

Without Working Area

A pre-finish check may be used to allow riders a set time for maintenance. Alternatively running times for all classes should allow riders approximately 15 minutes to work on their machine before the final check.

3.9 START

Start Order. Riders will be informed prior to the event of both their starting time and riding numbers.

MSA permit Where an MSA permit is issued, the maximum number of starters must be 2 per minute.

Method of starting order will be stated in the Supplementary Regulations with maximum number of drivers starting per minute being: - Solo - 4. Sidecar - 2.

Starting Procedure with Working Area

Each rider will be allowed to enter the Parc Ferme 15 minutes before his starting time and push his machine to the exit. At 10 minutes (for sidecars only - 20 minutes) prior to his starting time the rider will be admitted to the working area where he may attend to his machine.

In One Day Events this procedure may be omitted, but if so, it must be so stated in the Supplementary Regulations.

Starting Procedure without Working Area

Each rider will be allowed to enter the Parc Ferme 5 minutes before their starting time and push their machine to the exit.

Start. A starting signal will be given at the exact time the rider is due to start. Within one minute after the signal is given the Competitor must have started their engine, by kick-start or other fitted starting device only and ride to the 20m line under engine power. Failure to do so will incur a penalty, he may then start the machine by other means.

If a rider is not on the start line at this due time he will not be penalised so long as he completes the correct procedure and crosses the 20m line within one minute of his due start time.

Riders arriving more than one minute late at the start line will be penalised by 60 pts per minute late. They will be given the next minute as the new start time and must complete the correct start procedure.

3.10 RESTART

In an event of more than one day, a rider who fails to be classified as a finisher or who fails to come to the start line on any day, may restart the following day under the following conditions:

- a) Within one hour of the scheduled finish time of the last rider for that day the rider must inform the Secretary of the Meeting of the intention to restart the following day.
- b) Thirty minutes before the start time of the first rider the next day, the rider must present the machine at the start for re-examination. It must be the same machine on which the rider started the event, in respect of frame and hubs. The machine must then be placed in the Parc Ferme.
- c) Provided he satisfies the Organisers on the above conditions he will be allowed to start the day and be eligible for Championship points, if applicable.

3.11 COURSE

The course shall consist of mainly rough track and cross country going and must be clearly marked with route markers or direction arrows. Please note the general course may be open to other users and must not be treated as a one way route. Forest roads and tracks are NOT closed to other users and traffic may be travelling in the opposite direction.

Route marking must be positioned and angled so as to clearly indicate the intended direction of route. In determining the distance between the markers, organisers should give due consideration to likely conditions i.e. weather, dust etc.

The Organiser/Clerk of the Course must ensure that due consideration is given to the age and abilities of the riders when planning and marking the course and that suitable marking is displayed to guide and restrict any spectators/members of the Public who may attend.

Where a gate of arrows is constructed, riders must pass between them.

Recommended Marking of Junctions. One arrow approximately 50 metres in advance of the junction giving due consideration to likely conditions, fog, dust, etc.

Two arrows at the junction.

One arrow after the junction to indicate correct route.

Wrong Direction Markers. Where appropriate, wrong direction signs of black cross on suitable background or 'no entry' sign should be displayed.

Diversionary Routes. All points where separate routes are to be followed by different classes must be clearly indicated as follows:

- a) In advance of diversion, a warning sign.
- b) At the point of the diversion, a further sign indicating the routes to be taken in each class.
- c) After the diversion, a further sign that indicates which route is being followed.

The size and positioning of the signs must be such that the information is clearly communicated.

Caution Boards. To warn drivers of severe hazard points on the route crossed arrows or an exclamation sign should be used.

Removal of Course Markers – 2 Day Events. It is recommended that where the route for day 2 follows the same route as day 1 at all points where the route diverts, day 1 arrows should be removed, and if possible wrong direction arrows displayed.

Warning Signs for the Public. Examples of warning signs for the public are to be found elsewhere in this Handbook. Please refer to Safety Precautions section at rear of this Handbook.

Mileage. Organisers should ensure that the lap length exceeds 10 miles per lap. Recommended overall scheduled time per rider should be within daylight hours. Mileage quoted by the organiser

must be taken as correct and the average speed set between any time check must not exceed 30 mph. (SR's for 'short course' enduros shown separately.) On Forestry Commission land the overall average speed must not exceed 25mph.

Impassable Route. If the Clerk of the Course decides that any part of the route becomes impassable during the event, he may delete that section and adjust the time accordingly.

Course Cutting. Any rider reported to the Clerk of the Course for any of the following may be subject to

- a) Missing or entering a time/route check or special test from the wrong direction.
- b) Course cutting.
- c) Not following the marked or the intended route.

3.12 TIME AND ROUTE CHECKS

(a) The timing of events, either wholly or in part, may be carried out either by a licenced Timekeeper or by any other competent person appointed by the organiser. These officials, if not registered Timekeepers, shall be classified as Enduro Time Marshals. Apart from the correction of errors which may emerge on investigation, the times, speeds and classification of an event shall be taken as fact and no appeal shall be accepted as to their accuracy.

(b) Time cards and route cards for the first day's run MUST be issued at the preliminary examination. For a 2 day event, time cards MUST be issued after day one has been completed. Only riders will be responsible for getting their cards – stamped/marked at all time and route checks. Failure to do so, or intents to deceive the organisers by altering or obliterating these cards, or using another rider's card will lead to disqualification.

Time schedules will show the time that a rider is allowed between time checks.

Loss of time card/route card will incur a penalty.

A rider who misses a time/route check or arrives from the wrong direction will be disqualified.

The onus rests with the riders to present a time card to the Time Check Official in a flat and legible condition.

(c) **Indication of Time Checks**

The time checks will be indicated by white flags placed on both sides of the track 200m before the check and the two yellow flags placed approximately 20m before the control table.

These flags will be placed so that they are at all times clearly visible to the riders.

Official time should be visible to the rider from the yellow flags.

Riders must pass between the yellow flags

(d) **Procedure at Time Checks.** After the rider has passed the yellow flag with his motorcycle he must immediately present his time card.

Riders stopping between the yellow flag and the time check will be given the time indicated on the clock when they passed the yellow flag. The arrival time at a time check is the time the rider passes the yellow flag.

A rider may pass the final time check of the day early, without penalty.

At each time check the official is obliged to mark each riders time card with the arrival time and keep a backup checklist showing all riders arrival times

The area from the yellow flags to a point approximately two metres beyond the control table is considered to be a "Parc Ferme" concerning access, serving and assistance

(e) **Calculation of Time Check Penalties.** Each section between time checks constitutes a test in itself. Riders who exceed the time permitted between one time check and the next, will be penalised 60 points per minute late arrival according to the time registered by the clock when they clock in. STAMPING/MARKING TIME – STARTING TIME FOR NEXT SECTION. Claims for special time allowance. If a rider can prove to the organisers that they were delayed by abnormal circumstances beyond their control, such as a delay occasioned by stopping to

render first aid in the case of a serious accident, an allowance may be given. The competitor must complete the entire route for this to be considered.

Alleged balking caused by another rider cannot be considered abnormal circumstances.

- (f) **Time Limit.** Unless specified in the Championship or Supplementary Regulations a rider who arrives at a time check more than (x) minutes after their original starting time for a day's run, plus the time allowed for travel between each time check passed and any time allowance claimed for Noise Testing is automatically disqualified.

(X) = Solo Championship and Experts class – 30 mins

All other classes 60 mins

- (g) **Route Checks.** These may or may not be marked on the route card and will be indicated by blue flags approximately 20 metres prior to the checkpoint.

Competitors must stop in order to have their passage recorded as required on their time card or a card attached to their machine.

Any rider whose passage is not marked may be disqualified. Route checks are designed to ensure competitors stick to the marked route and it is recommended that organizers include at least one route check per day.

3.13 SPECIAL TESTS

Each rider shall ride a minimum of two special tests per day (the same test may be used) apart from exceptional circumstances or force majeure. These must be accurately timed and may be of Cross Country, Motocross, Hill Climb type, or as specified in the Supplementary Regulations. It is desirable that the special tests be electronically timed to $\frac{1}{100}$ sec by light beam. Any rider who fails to take the intended authorised route may be penalised by the Clerk of the Course if he feels an advantage has been gained. It is recommended that for Championship class riders, there should be at least 15 minutes of test riding each day. Ideally, tests should last approximately 5 minutes. The start and finish of each test should be marked with a suitable sign and be in place prior to any competitor inspecting the test. A run off area of 20m must be marked following the finish of the test, competitors must not stop in this area

3.14 PRACTISING

Practising on any part of the course is forbidden. Special Tests may be inspected on foot but NOT by any wheeled vehicle (including mountain bike) and breach of this rule renders the competitor liable to disqualification.

Where another event takes place at the same venue it will not be considered to constitute unofficial practice.

3.15 REFUELLING

An area should be set off the course for refuelling, access to which will only be allowed to officials, competitors and authorized helpers. The area should be manned by marshals. No refuelling should take place on Main or busy roads (remote lay bys are acceptable)

- (a) Where refuelling is permitted both service crews and organisers must provide adequate fire fighting equipment. There should be a suitably marked FIRE-POINT and also NO SMOKING signs should be displayed. **The engine must be stopped when refuelling and an environmental mat must be used)**
- (b) Refuelling may only be carried out at points designated by the organisers which will be marked with GREEN FLAGS – full details must be available at the start. In two day events refuelling may be allowed in the official working area.
- (c) No time allowance will be made for refuelling and this must be done during the running time or the ten minutes prior to the start.
- (d) Distance between refuelling points should not exceed 25 miles.
- (e) Any rider who refuels at any other point will be disqualified.

Smoking or the use of mobile phones in refuelling points is forbidden

3.16 ENVIRONMENTAL MATS

Where refuelling or servicing of a motorcycle is being undertaken, riders must provide and use an environmental mat to protect the ground. These mats are to be removed by the competitors after use. The minimum dimensions of the mat will be at least equal to the length of the motorcycle and the width of the handlebars.

3.17 OUTSIDE ASSISTANCE

Outside assistance is forbidden under penalty of disqualification and occurs when

- (a) Any person other than the rider, or an official performing his duties, comes into contact with the machine
- (b) When a rider is accompanied on the course. Exceptions to this rule are:

At designated points, such as time controls or other places specified by the organiser, (except the work area) helpers may remove and replace caps and refill petrol and oil tanks, gearbox, radiator, adjust tyre pressures, provide parts and tools and assist with the bleeding of air from hydraulic systems.

At all other parts of the course riders only may work on the machines with spares and tools as carried on the machine.

3.18 PENALTIES

DISQUALIFICATION

- Using non specified tyres
- Engine capacity other than stated to organizers
- Exceeding walking pace in Blue tape areas
- Changing parts which are liable for marking or presenting a machine with missing marked parts with the exception of the silencer which may be changed as per ESR 2.4
- Altering course
- Altering a time card
- Practising on the course prior to the event
- Accepting outside assistance other than allowed in Standing Regulations
- Exceeding noise level limit
- Being accompanied anywhere on the course
- Change of machine during event
- Changing tyres except at the final time check of the day

Course cutting, not following marked route or driving in opposite direction of route, will result in exclusion or in exceptional circumstances the Clerk of the Course may impose a points penalty.

POINTS

Starting engine in parc ferme, working area or before starting signal is given	60
Loss of timecard/route card	60
Not starting engine and crossing 20m line within one minute of starting signal	20
Entering parc ferme with engine running	60
Failure to attend machine examination when held on day prior to start (see Reg 2.6)	20

TIMED PENALTIES

For every minute late at the start line	60
For each full minute late or early at time check outside of late arrival allowance	60

SPECIAL TESTS

Timed to 1 second	1 sec – 1pt	Automatically	$\frac{1}{100}$ sec – $\frac{1}{100}$ pt.
-------------------	--------------------	---------------	---

3.19 AWARDS

Full details of awards will be stated in the Supplementary Regulations.

Ties at the end of a Championship Series

The number of rounds and the number of rounds to count for the final assessment must be stated in the Championship Regulations.

Should a tie occur in a Championship series it shall be decided as follows:

- a) In favour of the rider with the greatest number of wins in ALL rounds held .
- b) If not resolved then the greatest number of second places and so on down to 15th place in ALL rounds held.
- c) If not then resolved, by the rider with the best performance in the final event held

3.20 LEGAL ACTION

A rider who is convicted following a police prosecution for an offence committed by him whilst taking part in the competition may be liable to disqualification.

3.21 WARNING TO THE PUBLIC

The Organisers must display Warning Notices at the start of the event, the special tests and at any other point of the course where the public is likely to congregate.

3.22 INSURANCE

Each rider will be required to declare that there will be in force in relation to the use of the vehicle which he intends to drive during the event such a policy of insurance or such a security in respect or Third Party risks as complies with the requirements of the current Road Traffic Acts, and which is operative whilst taking part in the event. The Organisers will be required to cover Riders and Passengers against Personal Accident risks and Third Party insurance for 'off-the-road' risks whilst taking part in the event and the premium for such insurance will be included in the entry fee. Where the organiser wishes to offer (through the ACU Insurance Broker) Third Party Insurance cover necessary to meet the Road Traffic Act requirements on Public Highways, this must be stated in the Supplementary Regulations.

3.23 DISCLAIMER

It is a condition of acceptance of entry that the Organiser shall not be responsible for any damage to a motorcycle or its accessories, whether by fire, accident or other causes, nor for the theft of a motorcycle or its accessories, during the event.

3.24 LIABILITY FOR DAMAGE

A rider is liable for any damage caused by himself, his passenger, or any helpers, during the event. The Organisers may act as agents for such persons to agree and pay for any damage and the riders shall on demand reimburse the Organisers any sum so paid.

3.25 ABANDONMENT

The Organisers reserve the right, subject to the approval of the Stewards of the Meeting, to cancel, postpone or abandon the competition, if circumstances should arise, which, in their opinion, render such action necessary.

3.26 COMPLIANCE WITH REGULATIONS

Every Entrant and Rider by entering or being entered or nominated thereby acknowledges that he is bound by the National Sporting Code of the ACU and these Standing Regulations, together with any Supplementary Regulations and Final Instructions to be hereafter issued, to all of which he undertakes to submit and moreover renounces any right to have recourse to any arbitrations or tribunal not provided for in the said Rules and Regulations.

3.27 INTERPRETATION

The interpretation of these Standing Regulations and the Supplementary Regulations or instructions to Riders will rest entirely with the Stewards of the Meeting whose decision shall be final and binding except as provided in the Sporting Code.

3.28 FIRE EXTINGUISHERS

All competitors with the exception of those travelling to an event on the machine on which they are competing, must have a 2kg (minimum) dry powder fire extinguisher available for immediate use. If a 'closed vehicle' is being used the extinguisher must be fitted adjacent to, or on the inside of the working door. In the case of a shared vehicle the other competitors extinguisher(s) should also be visible, or, the fitted extinguisher(s) must be of a proportionately larger capacity. This fire extinguisher must be available at any refuelling point.

3.29 POWER WASHERS

Use of power washers is prohibited. Unless the organisers have suitable facilities which comply with the ACU Environmental Code.

3.30 DOGS

Owners are responsible for ensuring their dog is kept under control and for clearing up any fouling that may occur.

SECTION 4 ADDITIONAL STANDING REGULATIONS FOR ADULT SHORT COURSE ENDURO EVENTS

- 4.1. **Definition** Multi lap short course event held under Enduro Standing Regulations and these variations.
- 4.1.2 **Eligibility** – All the riders and passengers must hold a current ACU or SACU licence and be a minimum age of 16 years. Any rider or passenger from another FMN MUST produce a licence issued by their FMN together with start permission and proof of personal accident Insurance. A Youth rider may compete as an Adult in these events but must be a minimum of 15 years of age and is restricted to a maximum machine capacity of 250cc.
NB A rider who chooses to compete as an Adult cannot also compete as a Youth at any time in the same event .
- 4.1.3 **Entries** (As per 1.3). The ratio of competitors to course will be 30 riders per kilometre of course e.g.180 riders must have 6kms lap distance etc. Sidecar: Half these figures. This recommended number may be changed by the authority granting the permit.
- 4.1.4 **Start** (As per Regulation 3.9). Except that maximum number of starters per minute may be 5 Solos. This recommended number may be changed by the authority granting the permit.
- 4.1.5 **Course** Should be Enduro style of a minimum length of 3kms. Overall time allowance should be 3 hours minimum, 5 hours maximum. Details must appear in Supplementary Regulations.
- 4.1.6 **Time and route checks** (As per Regulation 3.11). Time checks will be at Start/Finish area which may also be a route check. There should be adequate route checks on the course.
- 4.1.7 **Special tests** (As per Regulation 3.12). May consist of a whole lap or as detailed in the Supplementary Regulations.
- 4.1.8 **Motorcycles** Regulation 2.1 may be omitted if the course allows but requirements must appear in the Supplementary Regulations. Machines must be examined for safety and noise level (Max 85dBA) before being allowed to take part.
- 4.1.9 **Refuelling** An area should be set off the course for refuelling. The organisers must provide fire fighting equipment.

SECTION 5 ADDITIONAL STANDING REGULATIONS FOR YOUTH SHORT COURSE ENDURO EVENTS

Youth riders may be included in short course Enduros either as part of a separate event or a separate class run in conjunction with the main event, provided that the following points are closely observed:-

- 5.1 **Age of riders** Youth riders must be a minimum age of 15 years to participate in a Youth Short Course Enduro and may continue to ride as a youth until the end of the calendar year that he reaches 16 years of age. However a rider over 15yrs of age may if they so wish compete as an Adult on a machine of a maximum capacity of 250cc.
NB A rider who chooses to compete as an Adult cannot also compete as a Youth at any time in the same event .
- 5.2 **Machine capacity** The maximum capacity for machines must be 250 cc
- 5.3 **Bibs** Where a Youth class is included within the Adult event, the Youth riders must be suitably identified with a coloured bib. This bib must be a different colour to any bibs used by Officials/ Marshals, or to any which have been issued to Adult riders
- 5.4 **Youth Starting order** Where Youths are included as part of an Adult event, Youth riders must be started as a separate group behind the Adults.
- 5.5 **Overall time allowance** The overall time allowance at an event for youth riders must not be more than 2hrs 30 mins.
- 5.6 **Physical eligibility/proficiency assessment** All riders should be able to sit astride their machines and with one foot firmly on the ground must be able to control the gear lever or the foot brake with the other foot. They should also be able to lift the bike up from a horizontal position on the ground to an upright position.
- 5.7 **Riders (Minors):** In order to conform with the Children’s Act legislation, additionally, for every rider or passenger who is under 18 years of age a Parental Agreement Form must be signed by parent/s or guardians. All minors will be bound by the directions of parent/s or guardian/s.
- 5.8 **Child Protection.** The point of contact for Child Protection issues will be the Secretary of the Meeting unless otherwise stated in the Supplementary Regulations.
- 5.9 **Marshals** Organisers should place marshals at strategic points around the course and have sufficient marshals that no part of the course is unsighted to them and any difficult sections must have a marshal present and ensure control of the event.

SECTION 6 ACU DOODSON BRITISH ENDURO CHAMPIONSHIP REGULATIONS

Championship points will be awarded to competitors of any Nationality. The title “ACU Doodson British Enduro Champion” will be awarded to the competitor with the most points who holds British Citizenship. If the rider with the most points is not a British Citizen he shall be awarded the title “ACU Doodson British Open Enduro Champion”. This principle will apply throughout the classes.

- 6.1.1 The allocation of all Championship Rounds is at the discretion of the Trials and Enduro Committee of the ACU. In granting a Permit to organise a Round, the Committee does not abrogate its overall responsibility for the Championship Series and may, in its absolute discretion, withhold points for all or part of a Round introducing a replacement Round at a later date, if seen fit.
- 6.1.2 There will be 5 classes:
 - (1) Championship; (2) Expert; (3) Clubman; (4) Womens; (5) Veterans (over 40 years on the 1st January of the current year).

NB in addition a Junior Class for riders under 23 years on the 1st January of the current year will be incorporated into the Championship and Expert classes.
The Womens and Veterans class will run on the Clubman schedule.
Start order will be as per the Supplementary Regulations, however, riders placed 1–10 in the previous year’s overall Championship will be allocated the corresponding number to their finishing position.

Time Schedules and/or Routes may vary between classes – details will appear in the Supplementary Regulations.

Time Limit. Unless specified in the Championship or Supplementary Regulations a rider who arrives at a time check more than (x) minutes after their original starting time for a day’s run, plus the time allowed for travel between each time check passed and any time allowance claimed for Noise Testing is automatically disqualified.

(X) = Solo Championship and Experts class – 30 mins
All other classes 60 mins

6.1.3 Capacity Groups: There will be 4 capacity groups

ALL CLASSES

E1 Two stroke 100cc – 125cc two stroke

E1 Four stroke 175cc – 250cc four stroke

E2 175cc – 250cc two stroke and 290cc – 450cc four stroke

E3 290cc – 500cc two stroke and 475cc and over four stroke

6.1.4 Riders will be responsible for fitting the correct colour number plates. Provision of numbers will be as per the Supplementary Regulations of the event. However riders placed 1–10 in the previous year’s overall Championship will be allocated the corresponding number to their finishing position.

For all British Championship events the rider must allow a space of 40mm at the top of front and side number plates for the sticker of the Series Sponsor. Only the Series Sponsor’s logo should appear on the number plate.

6.1.5 Solo Championship Rounds will be National Events with a minimum lap length of 20 miles. They may be of 1 day or 2 day duration and the list of qualifying events will appear in the current Fixture List.

6.1.6 All Support Crews must be equipped with serviceable fire extinguishers at service points.

6.1.7 The title of “British/British Open –Solo Enduro Champion” will be awarded to the best overall performance in the Championship Class irrespective of capacity group. Winners of Capacity Groups in the Championship Class will be awarded the title “British/British Open E1/E2/E3 Enduro Champion”. In the Expert and Clubman Class, winners of the series will be known as “ACU/Open Enduro Champion” in the respective capacity groups and class. In addition, the best overall performance over the series in these classes will be known as “ACU Overall/ACU Open Overall (Expert)/(Clubman) Enduro Champion”.

6.1.8 At the conclusion of the series the points scored by each rider in all days held less 2 (which do not have to be from the same event) will be added together and the rider with the highest number of points who is a British Citizen will be awarded the title of “British Solo Enduro Champion”. The rider with the highest number of points gained on this basis who is not a British citizen will be awarded the title of “British Open Enduro Champion”.

Ties will be decided by

a) Most days wins b) Most day second places c) Most day third places etc. down to fifteenth.

If a tie still exists, best position in the final round either finishes will decide the tie.

6.1.9 **Tyres.** Only Enduro or Trials type tyres are allowed.

6.1.10 **One Make Team.** From the scratch results from each day of the Championship, Expert and Clubman classes, the points from the riders (top 15) who score points on the same make of machine will have these counted toward a manufacturers award at the end of the series in each class. All rounds to count.

6.1.11 **Championship Points.** Calculation of points scored each day for overall and all classes of the Series will be as follows:

1st – 20 points	5th – 11 points	9th – 7 points	13th – 3 points
2nd – 17 points	6th – 10 points	10th – 6 points	14th – 2 points
3rd – 15 points	7th – 9 points	11th – 5 points	15th – 1 point
4th – 13 points	8th – 8 points	12th – 4 points	

In the case of ties in the results of each day the riders concerned will each receive the points for this position.

i.e. Rider A 800 points. Rider B 800 points. Rider C 820 points.

Rider A – 20 Championship Points Rider B – 20 Championship Points

Rider C – 15 Championship Points

6.1.12 **Marking of Machines.** The Championship and Experts class will have the following parts

marked with paint and inscribed with their number: (i) Main frame (ii) Both hubs. iii) Silencers

6.1.13 **Final Examination.** At the end of the event all Championship and expert machines should be examined for marks.

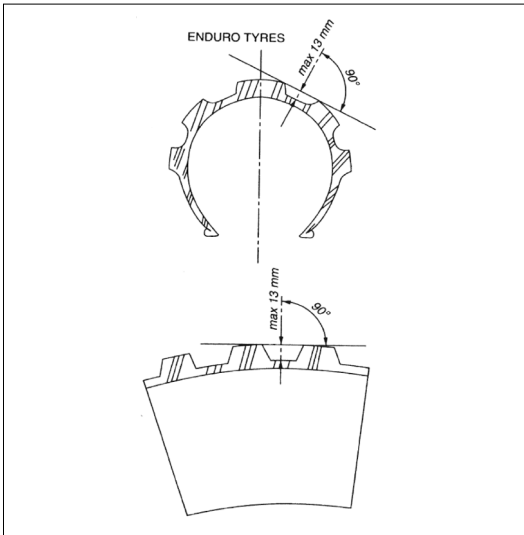
SECTION 7 BRITISH/ACU CLUBMANS SIDECAR ENDURO CHAMPIONSHIP REGULATIONS

Championship points will be awarded to competitors of any Nationality. The title “British/ACU Sidecar Enduro Champion” will be awarded to the competitor with the most points who holds a British Citizenship. If the rider with the most points is not a British Citizen he shall be awarded the title “British/ACU Open Sidecar Enduro Champion”. This principle will apply throughout the classes.

- 7.1.1 The allocation of all Championship Rounds is at the discretion of the Trials and Enduro Committee of the ACU. In granting a Permit to organise a Round, the Committee does not abrogate its overall responsibility for the Championship Series and may, in its absolute discretion, withhold points for all or part of a Round introducing a replacement Round at a later date, if seen fit.
- 7.1.2 Series Sponsor. Only the Series Sponsor’s logo should appear on the number plate.
- 7.1.3 This Sidecar Enduro Championship will be made up of 1 and 2 Day National Events chosen at the discretion of the Trials and Enduro Committee. The list of events may be found in the current ACU Fixture List.
- 7.1.4 There will be three classes – Championship, Clubman and Newcomer. The Title of “British/ British Open Sidecar Enduro Champion” will be awarded to the best overall performance in the Championship Class irrespective of capacity. In the Clubman Class, the winner will be known as the “ACU/ACU Open Sidecar Enduro Clubman Champion”.
The passenger who crews for him in the most number of rounds will be regarded as his regular passenger.
The best overall performance by a newcomer will receive the Newcomers Award.
- 7.1.5 To be eligible for Clubman Championship points riders must not have won the ACU Clubmans Championship in the last three calendar years. Exception may be made at the discretion of the Trials and Enduro Committee. Riders not eligible for points (as detailed above) may compete on a no points basis.
A newcomer is classified as a rider who has never competed in the British/ACU Clubmans Enduro Championship prior to the current year.
- 7.1.6 Calculation of Championship Points, in one or two day events, will be as follows:

1st – 20 points	5th – 11 points	9th – 7 points	13th – 3 points
2nd – 17 points	6th – 10 points	10th – 6 points	14th – 2 points
3rd – 15 points	7th – 9 points	11th – 5 points	15th – 1 point
4th – 13 points	8th – 8 points	12th – 4 points	

At the conclusion of the series the points for each riders best results from all days held less 2 (which do not have to be from the same event) will be added together and the rider with the highest number of points to his credit will be the winner.
- 7.1.7 The methods of deciding ties shall be as stated in the British Solo Enduro Championship Regulations.



ACU British Twinshock Enduro Championship Regulations

Championship points will be awarded to competitors of any Nationality. The title “ACU British Twinshock Enduro Champion” will be awarded to the competitor with the most points who holds a British Citizenship. If the rider with the most points is not a British Citizen he shall be awarded the title “ACU Open Twinshock Enduro Champion”.

- 8.1 The allocation of all Championship Rounds is at the discretion of the Trials and Enduro Committee of the ACU. In granting a Permit to organise a Round, the Committee does not abrogate its overall responsibility for the Championship Series and may, in its absolute discretion, withhold points for all or part of a Round introducing a replacement Round at a later date, if seen fit.
- 8.2 Series Sponsor. Only the Series Sponsor’s logo should appear on the number plate.
- 8.3 This Twinshock Enduro Championship will be made up of 1 and 2 Day Events chosen at the discretion of the Trials and Enduro Committee. The list of events may be found in the current ACU Fixture List.
- 8.4 There will be two classes – Championship (run on a clubman schedule) and Clubman (run on a sportsman schedule). The Title will be awarded to the best overall performance in the each Class irrespective of capacity. These classes will be separate from all other classes in the event. Competitors must have black numbers on a yellow background
- 8.5 To be eligible for Championship points riders must use a machine with twinshock rear suspension as fitted at the time of manufacture and fitted with drum brakes. Exception may be made at the discretion of the Trials and Enduro Committee.
- 8.6 Calculation of Championship Points, in one or two day events, will be as follows:

1st – 20 points	5th – 11 points	9th – 7 points	13th – 3 points
2nd – 17 points	6th – 10 points	10th – 6 points	14th – 2 points

3rd – 15 points 7th – 9 points 11th – 5 points 15th – 1 point
 4th – 13 points 8th – 8 points 12th – 4 points

At the conclusion of the series the points for each riders best results from all days held less 2 (which do not have to be from the same event) will be added together and the rider with the highest number of points to his credit will be the winner.

8.7 The methods of deciding ties shall be as stated in the Enduro Standing Regulations.

Hare and Hounds/Cross Country (Adult) Standing Regulations

DEFINITION Hare and Hounds/Cross Country events are controlled Group Start events which are a test of endurance and reliability. Competitors will be required to complete a number of laps within a time set by the organisers (not less than 2 hours). The duration of events will be stated in the Supplementary Regulations.

PROCEDURE FOR STOPPING AN EVENT

Where it is deemed necessary to stop an event only the Clerk of the Course or his assigned assistants can stop an event. All courses must have sufficient assistants to ensure that when a race is stopped this decision is communicated to all of the riders as quickly as possible.

SECTION 1 GENERAL

1.1 ELIGIBILITY

All the riders and passengers must hold a current ACU or SACU licence and be a minimum age of 16 years. Any rider or passenger from another FMN MUST produce a licence issued by their FMN together with start permission and proof of personal accident Insurance.

A Youth rider may compete as an Adult in these events but must be a minimum of 15 years of age and is restricted to a maximum machine capacity of 250cc.

NB A rider who chooses to compete as an Adult cannot also compete as a Youth at any time in the same event .

1.2 CLASSES

The Supplementary Regulations may specify that capacity classes allowed in ESR 1.6 or classes determined by rider grading must start in the same group.

1.3 ENTRIES

A Motorcycle Sport Events Entry Form must be completed in every detail, and signed by each entrant, rider or passenger. (N.B. a requirement of signing and entry application form is that each signatory understands the National Sporting Code of the ACU, Standing Regulations, such Supplementary Regulations as have been issued for the event and such Final Instructions subsequently issued, and agrees to be bound by them). Each completed entry form, together with the entry fee (which includes insurance premiums and Entry Subscription (NSC 7.05), shall be forwarded to the Secretary of the Meeting. Details of the name, address and telephone/fax number of the Secretary of the Meeting (or a Deputy), all entry fees closing date for entries, conditions for return of fees, and any other special requirement, may be obtained from the event Supplementary Regulations. All riders, passengers and appointed persons responsible for minors, must register arrival at an event prior to commencement of said competitor's practice or first competition, whichever occurs first.

Limitations of Entries. If entries are to be limited, the maximum number and method of limitation (i.e. in order of receipt, by ballot etc.) will be stated in the Supplementary Regulations.

Riders and Passengers under 18 years of age (Minors): In order to conform with the Children's Act legislation, additionally, for every rider or passenger who is under 18 years of age a Parental Agreement Form must be signed by parent/s or guardians. All minors will be bound by the directions of parent/s or guardian/s.

Child Protection. The point of contact for Child Protection issues will be the Secretary of the Meeting unless otherwise stated in the Supplementary Regulations.

1.4 ACCEPTANCE OR REFUSAL OF ENTRY

The Organiser must notify all riders of the position regarding their entry prior to the event.

SECTION 2 TECHNICAL

2.1 MOTORCYCLES

Subject to the Supplementary Regulations any solo/sidecar which complies with the Motocross, Trials, Enduro Specifications as per the current ACU Handbook, may be allowed.

2.2 TYRES

Tyre type is optional or as stated in the Supplementary Regulations.

2.3 CLOTHING

Suitable strong clothing must cover legs, arms and body. Knee length boots and gloves in leather or other approved material must be worn. Helmets/Clothing must be presented to machine examiners at the same time as the machine. It is not advised that bulky hard objects such as tools etc. are carried in pockets or on the person.

2.4 HELMETS

Helmets bearing the ACU gold or silver stamp, in sound condition and properly fitted must be worn by all competitors. Please refer to the section in this Handbook titled 'Helmets' for other important information and conditions concerning European Community Exemption.

2.5 JEWELLERY

Competitors are advised not to wear hand, face or body jewellery which could prove hazardous in the event of an accident. The mouth should be kept clear of anything likely to cause a blockage of the airway in the event of an accident, e.g. chewing gum. This includes removing false dentures.

2.6 NUMBERS

Bibs may be supplied by the organisers. If not, Riders must provide their own numbers which must be a minimum height of 100mm.

2.7 MACHINE EXAMINATION

All riders must sign on at least 30 minutes before the start time and present their machine and clothing for inspection.

2.8 NOISE CONTROL

Machines must be within the noise levels currently in force for that category of machine (see respective Standing Regulations).

SECTION 3 PROCEDURE

3.1 COURSE

Must be 'off-road' and the minimum time allowed shall be 2 hours. The organisers may split the event

into 2 or more legs if desired but the minimum time for each leg must be 90 minutes. The ratio of competitors to course will be – 30 riders per km of course, e.g. 180 riders must have 6 km lap distance etc.

Special Regulations for 2 rider teams in Hare & Hounds/Cross Country. Course and Time

Session: A team of riders must consist of a maximum of 2 riders. Each rider will be required to complete a time session. Only one rider is permitted on the course in one session with each rider completing an alternate session. The minimum time allowance per time session should be laid down in the Supplementary Regulations with the emphasis on endurance.

Any restrictions on the number of machines used by Team riders are to be stated in the Supplementary Regulations. All machines used are to be subject to Machine Examination.

The course shall consist of mainly rough track and cross country going and must be clearly marked with route markers/direction arrows or tape and stakes. Route marking must be positioned and angled so as to clearly indicate the intended direction of route. Courses with artificial chicanes and bends should use stacks and tape to clearly identify the course and ensure the route is followed. In determining the distance between the markers, organisers should give due consideration to likely conditions i.e. weather, dust etc.

The Organiser/Clerk of the Course must ensure that due consideration is given to the age and abilities of the riders when planning and marking the course and that suitable marking is displayed to guide and restrict any spectators/members of the Public who may attend.

Where a gate of arrows is constructed, riders must pass between them.

Recommended Marking of Junctions. One arrow approximately 50 metres in advance of the junction giving due consideration to likely conditions, fog, dust, etc. Two arrows at the junction. One arrow after the junction to indicate correct route.

Wrong Direction Markers. Where appropriate, wrong direction signs of black cross on suitable background or 'no entry' sign should be displayed.

Caution Boards. To warn drivers of severe hazard points on the route crossed arrows or an exclamation sign should be used.

3.2 OUTSIDE ASSISTANCE

This will only be allowed in the pit area, except when provided on the course by the organisers.

3.3 START

The start must be set out so that riders will start in groups which will be decided by the organisers e.g. capacity classes, ability classes etc. These groups will be defined in the Supplementary Regulations.

The number of riders in each group – which must not exceed 40 – and the start interval between groups – which must be no less than 30 SECONDS – will be decided by the organiser and due regard to course layout and the approval of the permit issuing authority. The organisers must ensure that the entire entry must be able to start and leave the start area before earlier riders start subsequent laps. UNLESS an adequate filter system can be incorporated to allow riders to join the course without impeding existing competitors. In all circumstances there must be a dead engine start. This may limit the size of entry. Any rider who fails to start their machine at the allotted start time for their group will be credited for that original start time regardless of the actual time that they start.

3.4 LAP SCORING AREA

An area must be designated which allows riders to pass through single file gates where their number will be recorded on the completion of every lap. Where there is more than one class the organiser may set alternative durations to suit the varying abilities. The organisers may stipulate that riders have to stop, and in all instances, the lap scoring area will be regarded as a "BLUE TAPE" area and marked as such.

3.5 FINISH

After the specified time/number of laps, the riders will be diverted through the lap scoring area and then from the course.

3.6 FINISHING ORDER

The winner overall and of any respective classes will be the riders who have achieved the closest number of laps to the duration set on the allotted time. Each rider's start time will be taken as their respective group's start time, or individual start time as decided by the Organiser, and their individual finish time will have been recorded.

3.7 TIES

Will be decided on the laps completed and the individual times of each rider.

3.8 CHECKS

The start/finish will be the only time check. There should be adequate marshals/route checks on the course to prevent course cutting.

3.9 MARSHALS

Organisers should place marshals at strategic points around the course to monitor safety and ensure control of event.

3.10 PUBLIC SPECTATOR AREAS

The Supplementary Regulations must announce the provision of clearly identified specific areas which must be used by all non-competitors other than riders or officials. Warning notices must be placed at appropriate points around the course to prevent public access.

3.11 RESTRICTED SPEED (BLUE TAPE) AREAS

These areas MUST be established on the approach to the Time Control/Lap Scoring area and any refuelling and works areas. Within 'BLUE TAPE' areas the rider must not exceed walking pace, under penalty of exclusion. The Incident Officer/Clerk of the Course may also establish 'BLUE TAPE' areas at other parts of the course if required.

3.12 REFUELLING

A suitable and restricted area must be marked out adjacent to the course as a pit area. Access to this area must be restricted to marshals, riders and authorised helpers. The area should be manned by marshals and access only allowed to officials, competitors and authorised helpers. The Organiser MUST establish a fire point, clearly indicated and with the appropriate fire extinguishers present. Each rider shall ensure that his refuelling crew, have a fire extinguisher at the refuelling point as described in Regulation 25. 'No Smoking' signs should be displayed. THE ENGINE MUST BE STOPPED DURING REFUELLING. NO SMOKING ALLOWED. REFUELLING MAY ONLY BE CARRIED OUT IN THE DESIGNATED AREA.

ENVIRONMENTAL MATS

Where refuelling or servicing of a motorcycle is being undertaken, riders must provide and use an environmental mat to protect the ground. These mats are to be removed by the competitors after use. The minimum dimensions of the mat will be at least equal to the length of the motorcycle and the width of the handlebars.

3.13 FIRE EXTINGUISHERS

All competitors with the exemption of those travelling to an event on the machine on which they are competing, must have a 2kg (minimum) dry powder fire extinguisher available for immediate use. If a 'closed vehicle' is being used the extinguisher must be fitted adjacent to, or on the inside of the

working door. In the case of a shared vehicle the other competitors extinguisher(s) should also be visible, or, the fitted extinguisher(s) must be of a proportionately larger capacity.

3.14 MEDICAL SERVICES

At all events qualified First Aid personnel must be in attendance with full first aid equipment including a stretcher. There must be a minimum of TWO ambulances or ONE ambulance and ONE other suitably identified vehicle, which must be equipped with and able to carry a stretcher. One vehicle must always be available at the event. The attendance of a Doctor or Paramedic is strongly recommended.

3.15 PUBLIC WARNING

Notices must be displayed in accordance with the Safety Precautions section of the current ACU Handbook.

3.16 DISQUALIFICATION PENALTIES

- Smoking in the refuelling area. Outside assistance except in the refuelling area.
- Refuelling with engine running. Missing a route check.
- Refuelling other than in refuelling area. Changing machine during event.
- Course cutting. Excessive speed in BLUE TAPE areas.
- Failing Sound Control Test. Riding in opposite direction to the course.
- Prejudicial Action. Any person having an interest in a rider's performance, who takes any action prejudicial to the sport may result in the disqualification of that rider. Rider's parents or associates failing to obey instructions given by officials of a meeting or deemed to have unjustifiably or maliciously jeopardised the efficient running of the meeting by not adhering to the Regulations, Supplementary Regulations or the Protest or Appeal procedure, may render the rider liable for the disqualification and/or being reported to the permit issuing authority for further action.

3.17 COMPLIANCE WITH REGULATIONS

Every rider by entering or being entered or nominated, thereby acknowledges that he is bound by the National Sporting Code of the ACU and these Standing Regulations together with any Supplementary Regulations and Final Instructions to be hereafter issued, to all of which he undertakes to submit and moreover renounces any rights to have recourse to any arbitrations or tribunal not provided for in the said Rules and Regulations.

3.18 INSURANCE

The Organisers will be required to cover Riders and Passengers against Personal Accident risks and Third Party insurance for 'off – the-road' risks whilst taking part in the event and the premium for such insurance will be included in the entry fee.

3.19 DISCLAIMER

It is a condition of acceptance of entry that the Organiser shall not be responsible for any damage to a motorcycle or its accessories, whether by fire, accident or other causes, nor for the theft of a motorcycle or its accessories, during the event.

3.20 LIABILITY FOR DAMAGE

A rider is liable for any damage caused by himself, his passenger, or any helpers, during the event. The Organisers may act as agents for such persons to agree and pay for any damage and the riders shall on demand reimburse the Organisers any sum so paid.

3.21 ABANDONMENT

The Organisers reserve the right, subject to the approval of the Stewards of the Meeting, to cancel, postpone or abandon the competition, if circumstances should arise, which, in their opinion, render such action necessary.

3.22 COMPLIANCE WITH REGULATIONS

Every Entrant and Rider by entering or being entered or nominated thereby acknowledges that he is bound by the National Sporting Code of the ACU and these Standing Regulations, together with any Supplementary Regulations and Final Instructions to be hereafter issued, to all of which he undertakes to submit and moreover renounces any right to have recourse to any arbitrations or tribunal not provided for in the said Rules and Regulations.

3.23 INTERPRETATION

The interpretation of these Standing Regulations and the Supplementary Regulations or instructions to Riders will rest entirely with the Stewards of the Meeting whose decision shall be final and binding except as provided in the Sporting Code.

Hare and Hounds/Cross Country (Youth) Standing Regulations

DEFINITION Hare and Hounds/Cross Country events are controlled Group Start events which are a test of endurance and reliability. Competitors will be required to complete a number of laps within a time set by the organisers. The duration of events will be stated in the Supplementary Regulations.

NB YOUTH SUPPORT EVENTS

A Youth Support event may be run in conjunction with any Hare & Hounds /X Country events catering for 8–12 yr olds on a maximum of 85cc machine. The entire course must be visible from a central control area manned by the Clerk of the Course. Machine Examiners should ensure that all machines in these Support events are fitted with an ignition cut-out which disables the machine when the driver dismounts.

SECTION 1 GENERAL

1.1 ELIGIBILITY

All the riders must hold a current ACU or SACU licence and be a minimum age of 12 years and a maximum of 16 years. Any rider or passenger from another FMN MUST produce a licence issued by their FMN together with start permission and proof of personal accident Insurance.

However, a rider over 15yrs of age may if they so wish compete as an Adult on a machine of a maximum capacity of 250cc ,

NB. A rider who chooses to compete as an Adult cannot also compete as a Youth at any time in the same event

1.2 CLASSES

The Youth class must be run as a separate session from any Adult classes at the same event and must not be combined with any Adult classes at the same event.

Youth capacity/Age/ability classes may be allowed but must be stated in the supplementary regulations.

1.3 ENTRIES

A Motorcycle Sport Events Entry Form must be completed in every detail, and signed by each entrant, rider. (N.B. a requirement of signing and entry application form is that each signatory understands the National Sporting Code of the ACU, Standing Regulations, such Supplementary Regulations as have been issued for the event and such Final Instructions subsequently issued, and agrees to be bound by them). Each completed entry form, together with the entry fee (which includes insurance premiums and Entry Subscription (NSC 7.05), shall be forwarded to the Secretary of the Meeting. Details of the name, address and telephone/fax number of the Secretary of the Meeting (or a Deputy), all entry fees closing date for entries, conditions for return of fees, and any other special requirement, may be obtained from the event Supplementary Regulations. All riders, passengers and appointed persons responsible for minors, must register arrival at an event prior to commencement of said competitor's practice or first competition, whichever occurs first.

Limitations of Entries. If entries are to be limited, the maximum number and method of limitation (i.e. in order of receipt, by ballot etc.) will be stated in the Supplementary Regulations.

Riders (Minors): In order to conform with the Children's Act legislation, additionally, for every rider or passenger who is under 18 years of age a Parental Agreement Form must be signed by parent/s or guardians. All minors will be bound by the directions of parent/s or guardian/s.

Child Protection. The point of contact for Child Protection issues will be the Secretary of the Meeting unless otherwise stated in the Supplementary Regulations.

1.4 ACCEPTANCE OR REFUSAL OF ENTRY

The Organiser must notify all riders of the position regarding their entry prior to the event.

SECTION 2 TECHNICAL

2.1 MOTORCYCLES

Subject to the Supplementary Regulations any solo machine which complies with the Motocross, Trials, or Enduro Specifications as per the current ACU Handbook, may be allowed.

CAPACITY

Riders aged 14 to 16 – Machines must be a minimum of 80cc and a maximum of 150cc (regardless of two or four stroke engine).

Riders aged 12–14 – Machines must be a minimum of 80cc and a maximum of 85cc (regardless of two or four stroke engine)

PHYSICAL ELIGIBILITY/PROFICIENCY ASSESSMENT

All riders should be able to sit astride their machines and with one foot firmly on the ground must be able to control the gear lever or the foot brake with the other foot. They should also be able to lift the bike up from a horizontal position on the ground to an upright position.

2.2 TYRES

Tyre type is optional or as stated in the Supplementary Regulations.

2.3 CLOTHING

Suitable strong clothing must cover legs, arms and body. Knee length boots and gloves in leather or other approved material must be worn. Helmets/Clothing must be presented to machine examiners at the same time as the machine. It is not advised that bulky hard objects such as tools etc. are carried in pockets or on the person.

2.4 HELMETS

Helmets bearing the ACU gold or silver stamp, in sound condition and properly fitted must be worn by all competitors. Please refer to the section in this Handbook titled 'Helmets' for other important information and conditions concerning European Community Exemption.

2.5 JEWELLERY

Competitors are advised not to wear hand, face or body jewellery which could prove hazardous in the event of an accident. The mouth should be kept clear of anything likely to cause a blockage of the airway in the event of an accident, e.g. chewing gum. This includes removing false dentures.

2.6 NUMBERS

Bibs may be supplied by the Organisers. If not, riders must provide their own numbers which must be a minimum height of 100mm.

2.7 MACHINE EXAMINATION

All riders must sign on at least 30 minutes before the start time and present their machine and clothing for inspection.

2.8 NOISE CONTROL

Machines must be within the noise levels currently in force for that category of machine (see respective Standing Regulations).

SECTION 3 PROCEDURE

3.1 COURSE

Must be 'off-road' and the minimum time allowed shall be 1 hour and maximum of 2 hours.

The number of laps and the time allowed must be stated in the Supplementary Regulations. The ratio of competitors to course will be – 20 riders per km of course, e.g. 120 riders must have 6 km lap distance etc.

The course must be a maximum of 8km and organisers should ensure that there should be no part of the course where a rider may fall and remain unseen by following riders or marshals. Consideration should be given to the positioning of marshals and officials to ensure this. Additional clearly identified travelling marshals can also be used to help achieve this. The course shall consist of mainly rough track and cross country going and must be clearly marked with route markers/direction arrows or tape and stakes.

Route marking must be positioned and angled so as to clearly indicate the intended direction of route. Courses with artificial chicanes and bends should use stacks and tape to clearly identify the course and ensure the route is followed. In determining the distance between the markers, organisers should give due consideration to likely conditions i.e. weather, dust etc.

The Organiser/Clerk of the Course must ensure that due consideration is given to the age and abilities of the riders when planning and marking the course and that suitable marking is displayed to guide and restrict any spectators/members of the Public who may attend.

Where a gate of arrows is constructed, riders must pass between them.

Recommended Marking of Junctions. One arrow approximately 50 metres in advance of the junction giving due consideration to likely conditions, fog, dust, etc. Two arrows at the junction. One arrow after the junction to indicate correct route.

Wrong Direction Markers. Where appropriate, wrong direction signs of black cross on suitable background or 'no entry' sign should be displayed.

Caution Boards. To warn drivers of severe hazard points on the route crossed arrows or an exclamation sign should be used.

3.2 OUTSIDE ASSISTANCE

This will only be allowed in the pit area, except when provided on the course by the organisers.

3.3 START

The start must be set out so that riders will start in groups which will be decided by the organisers e.g.

capacity classes, ability classes etc. These groups will be defined in the Supplementary Regulations. The number of riders in each group – which must not exceed 40 – and the start interval between groups – which must be no less than 30 SECONDS – will be decided by the organiser and due regard to course layout and the approval of the permit issuing authority. The organisers must ensure that the entire entry must be able to start and leave the start area before earlier riders start subsequent laps. UNLESS an adequate filter system can be incorporated to allow riders to join the course without impeding existing competitors. In all circumstances there must be a dead engine start. This may limit the size of entry. Any rider who fails to start their machine at the allotted start time for their group will be credited for that original start time regardless of the actual time that they start. **Only the competitor is allowed on the start area.**

3.4 LAP SCORING AREA

An area must be designated which allows riders to pass through single file gates where their number will be recorded on the completion of every lap. Where there is more than one class the organiser may set alternative durations to suit the varying abilities. The organisers may stipulate that riders have to stop, and in all instances, the lap scoring area will be regarded as a “BLUE TAPE” area (Blue tape area signifies walking pace only) and marked as such.

3.5 FINISH

After the specified time/number of laps, the riders will be diverted through the lap scoring area and then from the course.

3.6 FINISHING ORDER

The winner overall and of any respective classes will be the riders who have achieved the closest number of laps to the duration set on the allotted time. Each riders start time will be taken as their respective groups start time, or individual start time as decided by the Organiser, and their individual finish time will have been recorded.

To qualify as a Finisher a rider must have completed a minimum of 50% of the laps within the event or 50% of the distance covered by the winner

3.7 TIES

Will be decided on the laps completed and the individual times of each rider.

3.8 CHECKS

The start/finish will be the only time check. There should be adequate marshals/route checks on the course to prevent course cutting.

3.9 MARSHALS

Organisers should place marshals at strategic points around the course and have sufficient marshals that no part of the course is sighted to them and any difficult sections must have a marshal present and ensure control of the event.

3.10 PUBLIC SPECTATOR AREAS

The Supplementary Regulations must announce the provision of clearly identified specific areas which must be used by all non competitors other than riders or officials. Warning notices must be placed at appropriate points around the course to prevent public access.

3.11 RESTRICTED SPEED (BLUE TAPE) AREAS

These areas MUST be established on the approach to the Time Control/Lap Scoring area and any refuelling and works areas. Within ‘BLUE TAPE’ areas the rider must not exceed walking pace, under

penalty of exclusion. The Incident Officer/Clerk of the Course may also establish 'BLUE TAPE' areas at other parts of the course if required.

3.12 REFUELLING

A suitable and restricted area must be marked out adjacent to the course as a pit area. Access to this area must be restricted to marshals, riders and authorised helpers. The area should be manned by marshals and access only allowed to officials, competitors and authorised helpers. The Organiser must establish a fire point, clearly indicated and with the appropriate fire extinguishers present. Each rider shall ensure that his refuelling crew, have a fire extinguisher at the refuelling point as described in Regulation 25. 'No Smoking' signs should be displayed. The engine must be stopped during refuelling. No smoking allowed. Refuelling may only be carried out in the designated area.

ENVIRONMENTAL MATS

Where refuelling or servicing of a motorcycle is being undertaken, riders must provide and use an environmental mat to protect the ground. These mats are to be removed by the competitors after use. The minimum dimensions of the mat will be at least equal to the length of the motorcycle and the width of the handlebars

3.13 FIRE EXTINGUISHERS

All competitors with the exemption of those travelling to an event on the machine on which they are competing, must have a 2kg (minimum) dry powder fire extinguisher available for immediate use. If a 'closed vehicle' is being used the extinguisher must be fitted adjacent to, or on the inside of the working door. In the case of a shared vehicle the other competitors extinguisher(s) should also be visible, or, the fitted extinguisher(s) must be of a proportionately larger capacity.

3.14 MEDICAL SERVICES

At all events qualified First Aid personnel must be in attendance with full first aid equipment including a stretcher. There must be a minimum of two ambulances or one ambulance and one other suitably identified vehicle, which must be equipped with and able to carry a stretcher. One vehicle must always be available at the event. The attendance of a Doctor or Paramedic is strongly recommended.

3.15 PUBLIC WARNING

Notices must be displayed in accordance with the Safety Precautions section of the current ACU Handbook.

3.16 DISQUALIFICATION PENALTIES

- Smoking in the refuelling area
- Outside assistance except in the refuelling area.
- Refuelling with engine running
- Missing a route check.
- Refuelling other than in refuelling area
- Changing machine during event.
- Course cutting
- Excessive speed in BLUE TAPE areas.
- Failing Sound Control Test
- Riding in opposite direction to the course.
- Prejudicial Action. Any person having an interest in a rider's performance, who takes any action, prejudicial to the sport may result in the disqualification of that rider. Rider's parents or associates failing to obey instructions given by officials of a meeting or deemed to have unjustifiably or maliciously jeopardised the efficient running of the meeting by not adhering to the Regulations, Supplementary Regulations or the Protest or Appeal procedure, may render

the rider liable for the disqualification and/or being reported to the permit issuing authority for further action.

3.17 COMPLIANCE WITH REGULATIONS

Every rider by entering or being entered or nominated, thereby acknowledges that he is bound by the National Sporting Code of the ACU and these Standing Regulations together with any Supplementary Regulations and Final Instructions to be hereafter issued, to all of which he undertakes to submit and moreover renounces any rights to have recourse to any arbitrations or tribunal not provided for in the said Rules and Regulations.

3.18 DOGS

Owners are responsible for ensuring their dog is kept under control and for clearing up any fouling that may occur.

3.19 INSURANCE

The Organisers will be required to cover Riders and Passengers against Personal Accident risks and Third Party insurance for 'off-the-road' risks whilst taking part in the event and the premium for such insurance will be included in the entry fee.

3.20 DISCLAIMER

It is a condition of acceptance of entry that the Organiser shall not be responsible for any damage to a motorcycle or its accessories, whether by fire, accident or other causes, nor for the theft of a motorcycle or its accessories, during the event.

3.21 LIABILITY FOR DAMAGE

A rider is liable for any damage caused by himself, his passenger, or any helpers, during the event. The Organisers may act as agents for such persons to agree and pay for any damage and the riders shall on demand reimburse the Organisers any sum so paid.

3.22 ABANDONMENT

The Organisers reserve the right, subject to the approval of the Stewards of the Meeting, to cancel, postpone or abandon the competition, if circumstances should arise, which, in their opinion, render such action necessary.

3.23 COMPLIANCE WITH REGULATIONS

Every Entrant and Rider by entering or being entered or nominated thereby acknowledges that he is bound by the National Sporting Code of the ACU and these Standing Regulations, together with any Supplementary Regulations and Final Instructions to be hereafter issued, to all of which he undertakes to submit and moreover renounces any right to have recourse to any arbitrations or tribunal not provided for in the said Rules and Regulations.

3.24 INTERPRETATION

The interpretation of these Standing Regulations and the Supplementary Regulations or instructions to Riders will rest entirely with the Stewards of the Meeting whose decision shall be final and binding except as provided in the Sporting Code.

SPRINT ENDURO CHAMPIONSHIP REGULATIONS

These Championship Regulations shall apply in addition to the ACU National Sporting Code, and the Supplementary Regulations for each event.

Championship points will be awarded to competitors of any Nationality. The title “Husqvarna ACU British Sprint Enduro Champion” will be awarded to the competitor with the most points who holds British Citizenship. If the rider with the most points is not a British Citizen he shall be awarded the title “Husqvarna ACU British Open Sprint Enduro Champion”. This principle will apply throughout the classes.

The allocation of all Championship Rounds is at the discretion of the Trials and Enduro Committee of the ACU. In granting a Permit to organise a Round, the Committee does not abrogate its overall responsibility for the Championship Series and may, in its absolute discretion, withhold points for all or part of a Round introducing a replacement Round at a later date, if seen fit.

DESCRIPTION

Sprint Enduro events are a test of speed, endurance and reliability, based on enduro special tests – accurately and clearly marked off-road courses. From controlled individual starts competitors are required to complete a series of timed laps.

ELIGIBILITY

All riders and passengers must hold a current ACU or SACU licence, and be aged 15 years or over. Any rider or passenger from another FMN MUST produce a licence issued by their FMN together with start permission and proof of personal accident Insurance.

CHILD PROTECTION

The point of contact for Child Protection issues will be the Secretary of the Meeting unless otherwise stated in the Supplementary Regulations.

ENTRIES

A **Motorcycle Sport Event Entry Form** must be completed in every detail, and signed by each entrant, rider or passenger. Each completed entry form, together with the entry fee (which includes insurance premiums), shall be forwarded to the Secretary of the Meeting. Details of the name, address and telephone/fax number of the Secretary of the Meeting (or a deputy), all entry fees, closing date for entries, conditions for return of fees, and any other special requirements, may be obtained from the event Supplementary Regulations. All riders and passengers must register arrival at an event by signing-on at the event control office, or other designated area, not less than 30 minutes prior to commencement of said competitor's practice or first competition, whichever occurs first.

Riders and Passengers under 18 years of age (Minors): In order to conform with the Children's Act legislation, additionally, for every rider or passenger who is under 18 years of age a **Parental Agreement** must be signed. This is incorporated in the Annual Competition and Trials Registration Form and once completed will serve as the riders Annual Parental Agreement. No further forms or proof of Parental Agreement are necessary. All minors will be bound by the directions of parent(s), guardian(s).

CLASSES

- (a) Elite
- (b) Expert
- (c) U23(Under 23 on Jan 1st in year of competition)
- (d) U19(Under 19 on Jan 1st in the year of competition)
- (e) Clubman (Must be over 23 years of age)
- (f) 125cc Youth Cup (Under 19 on Jan 1st in year of competition)
- (g) Women

NB: Riders under the age of 23 who compete internationally in either the Enduro World Championship or the European Enduro Championships may apply, in writing, to GMC Events Ltd to request permission to compete in the Elite class. Applicants must have previous international enduro experience, have the required speed and skills to compete in the Elite class, and be competing in either the EWC or EEC.

CAPACITY GROUPS

ES1 – Up to 125cc two-stroke & up to 250cc four-stroke

ES2 – Over 125cc to 250cc two-stroke & Over 250cc to 450cc four-stroke

ES3 – Over 250cc two-stroke & Over 450cc four-stroke

ELITE CLASS QUALIFICATION

In the event of more than 25 riders entering the Elite class, a qualifying process will take place to determine which 25 riders will remain in this class.

All Elite class riders will have their fastest recorded time from either Lap 1 or Lap 2 used to determine the top 25 qualifying places. All/any other riders outside the top 25 will be seeded into the Expert class. This will take place at the start of each round (day) of the championship.

TECHNICAL

MOTORCYCLES

Enduro or MX machines may be used

TYRES

Enduro or MX tyres may be used.

NUMBER PLATES

The colour of number plates is free

RIDER NUMBERS

The organiser will allocate each rider with a number. Competitors will be responsible for supplying and fitting the correct numbers. These must be fitted on front and both side number plates – min height of numbers must be 100mm.

* Riders must ensure that there is a space of at least 40mm on top of each number plate to accommodate any sponsors logo the organiser may require *

FUEL

Commercially available unleaded fuel must be used. Power boosters or octane boosters are forbidden. The engine must not be running while refuelling is taking place. Mobile phones must not be used in refuelling areas.

REFUELLING

Riders are permitted to refuel their machines only when inside the paddock area. The engine must be stopped when refuelling. Rider's bike must be placed on an environmental mat in the paddock area, under penalty of 120 points (two minutes). Smoking or the use of mobile phones when refuelling is forbidden.

CONTROL OF EXHAUST SOUND LEVELS

The sound level of any machine competing in a British Sprint Enduro Championship event must be in accordance with the relevant section(s) of the ACU Enduro Standing Regulations. At any

time during an event the Clerk of the Course or his appointed official is empowered to exclude any machine he considers to be excessively noisy.

LIGHTS

Due to the closed course nature of British Sprint Enduro Championship events machines do not need to comply with road regulations, therefore lights (working or not) do not need to be fitted unless stated in the Supplementary Regulations.

MARKED PARTS

The changing of any part(s) during competition, with the exception of the frame, is permitted.

FIRE EXTINGUISHERS

The organisers must provide fire-fighting equipment.

All competitors with the exception of those travelling to an event on the machine on which they are competing, must have a 2kg (minimum) dry powder fire extinguisher available for immediate use. If a 'closed vehicle' is being used the extinguisher must be fitted adjacent to, or on the inside of the working door. In the case of a shared vehicle the other competitors' extinguisher(s) should also be visible, or, the fitted extinguisher(s) must be of a proportionately larger capacity. This fire extinguisher must be available at any refuelling point.

HELMETS

Helmets bearing the ACU gold or silver stamp and in sound condition and properly fitted must be worn by all riders and passengers while practicing and throughout the event. Please refer to the section in this Handbook titled "Helmets" for other important information and conditions concerning European Community Exemption.

MEDICAL SERVICES

At all events qualified First Aid personnel must be in attendance with full First Aid equipment including a stretcher. A minimum of one ambulance and one other suitably identified vehicle which must also be equipped with and able to carry a stretcher must be available and one of these vehicles must always remain available at the event. Organisers must also refer to the "Medical Services & Definition" section of this Handbook.

GENERAL

START ORDER

Riders will be informed prior to the event of both their starting time and riding numbers.

START

STARTING PROCEDURE

Riders will be informed 10 minutes (approx) prior to the start of each special test lap. It is then the rider's responsibility to ensure he/she arrives in the waiting zone in good time.

A Start Area Coordinator will then notify each rider when they must start each special test. Only one mechanic/assistant per rider is allowed in the waiting zone.

Riders will start in the following class order on each lap unless otherwise stated by the organisers:

Clubman

Women

Expert

125 Youth Cup

Under 19

Under 23

Elite

- Clubman, Under 19, Under 23, and Expert class riders will start 30 seconds apart.
- Elite class riders will each start 30 seconds apart.
- The class start order for Clubman, Under 19, Under 23, and Expert and Elite classes will be determined by the organisers.

Start order information will be displayed at the Rider registration/Signing on area.

LATE ARRIVAL AT START PENALTY

Riders must start each lap when requested to do so. Failure to do so (late starting) will result in a penalty. The penalty for late starting is 30 seconds. This penalty applies only to the lap during which a rider misses their start position. If a rider misses their start position he will be started when directed by the Start Area Coordinator.

FAILURE TO COMPLETE A LAP(S) PENALTIES

Any rider that fails to complete a lap of the special test will be awarded the time of the slowest overall rider in their class (Under 23, Expert, etc), plus two minutes.

Failure to start any given lap (i.e. due to mechanical problems) will result in a riders being awarded the time of the slowest rider in their class, plus three minutes. There will be no 'late arrival at start' penalty applied to a competitor who fails to start any lap.

ELITE CLASS 'MARATHON LAPS'

Elite class riders may be required to complete back to back laps, to be known as "Marathon Laps". Competitors will be informed if Marathon laps are to be included in the Final Instructions. These laps – if included, will take place at a time decided by the Clerk of the Course e.g. middle or end of a day. On finishing a given lap, all Elite riders will pass directly into the waiting zone and will not be allowed to return to the paddock. No assistance is allowed and only the riders may work on their machines with tools/spares carried with them.

CLASSIFICATION

The cumulative total of a rider's times and any additional penalties will be used to determine the final positions in each class.

CHAMPIONSHIP POINTS

These will be awarded after each round (day) to the first 15 riders in each class in accordance with the current ACU Enduro Championship points allocation i.e. 1st place – 20 pts, 2nd place 17pts etc. Eight of the 10 rounds (days) of the series will count towards the championship standings. Riders are effectively able to 'drop' their two worst scores, which do not have to be consecutive. However, if two or more rounds (days) of the championship are cancelled then all remaining rounds (days) will count towards championship standings. A 'Did Not Finish' (DNF) or non-start will count as zero points scored.

CHAMPIONSHIP TITLES

The title of "British Sprint Enduro Champion" will be awarded to the best overall performance in the Elite class by a British citizen. If won by a non-British citizen the title of "British Open Sprint Enduro Championship" will be awarded. In the Expert, Under 23, and Under 19 classes winners will be known as British Expert/Under 23/Under 19 Sprint Enduro Champion, or if won by a non British citizen the British Open Expert/Under 23/Under 19 Sprint Enduro Champion. The best overall performance over the series in the Expert, Under 23, and Under 19 classes will be known as the "British Overall/British Open Overall Expert/Under23/Under19/Sprint Enduro Champion. In the Clubman class winners of the series will be known as "ACU/ACU Open Clubman Sprint Enduro Champion" in the respective capacity groups and classes.

TIES

In the event of a tie in the results at an event, the rider who recorded the fastest time on the last recorded Special Test will be the winner. If the tie should continue, the recorded times of the second last test will be used and so on until the tie is broken.

In the event of ties in the final Championship classifications, the riders scores from the first round of the series will be taken, then the second and so on until the tie is broken

WORKING AREA

Riders are permitted to work on their bikes anywhere in the paddock area. No restrictions are placed on receiving assistance from others, i.e. mechanics, etc

OUTSIDE ASSISTANCE

Riders are not permitted to receive any outside assistance while in competition (competing in a special test). Riders must work on their machines only with tools and spare parts carried by themselves, apart from when in the paddock area. In the event that a rider is unable to complete any given lap he may receive assistance in retrieving his/her machine. This must be pushed back to the paddock area with the engine off.

PENALTIES

Disqualification

- Engine capacity other than stated to organisers
- Altering course
- Practising on the course prior to the event
- Accepting outside assistance other than allowed in Standing Regulations
- Exceeding noise level limit
- Being accompanied anywhere on the course
- Change of machine during event
- Course cutting, not following marked route or driving in opposite direction of route, will result in exclusion or in exceptional circumstances the Clerk of the Course may impose a points penalty.

POINT PENALTIES

Late starting	30 seconds
Failure to complete a lap	Time of slowest (overall) rider in class plus 120 second
Failure to start a lap	Time of slowest (overall) rider in class plus 180

POWER WASHERS

Use of power washers is prohibited. Unless the organisers either have suitable facilities which comply with the ACU Environmental Code or permit the use of such equipment.

TEAR OFFS

The use of tear offs is banned.

ENDURO OFFICIALS

QUALIFICATIONS AND CONDITIONS

Officials are divided into two categories:

Those that are Licensed and those that are Registered.

No Fees are payable in respect of any Licences or Registration or for the appropriate form of identification issued.

LICENCES: Senior Officials are required to hold an ACU Licence of the appropriate Grade for the performance of their duties.

	See Note Below	Licence Required	Attendance at Seminar/ Training Session
Clerk of the Course	1	YES	3 YEARS Every Third Year maximum
Chief Steward	2	YES	3 YEARS Every Third Year maximum
Secretary of the Meeting	2	No	Will receive Training at meetings and if required at Regional or ACU HQ Seminars
Club Stewards		No	May attend Regional or ACU HQ Seminars

Clubs and Centres shall only nominate candidates whose aptitude and integrity for the position they can fully justify. Official ACU approval and the issue of a Licence is only after the candidates have proved to be competent according to the special requirements for each discipline. The respective Committees and Panels organise Seminars that are compulsory for certain Officials. A Licence is valid for 3 years.

Note 1 Clerk of the Course

GRADES

Regional must attend a seminar organised by a Centre/Region.

National must attend a National seminar organised by the Trials & Enduro Committee and must also comply with specific criteria.

Note 2 Steward

GRADES

Regional will be appointed by the Centre as the Permit issuing authority as required.

National will be appointed by the Trials & Enduro Committee as the Permit issuing authority and must also comply with specific criteria.

LICENCE FEES All licences will be issued, free of charge, for a period of three years.

Trials

TRIALS	195
LUSCOMBE SUZUKI LEEDS BRITISH/ACU SIDECAR TRIALS CHAMPIONSHIP	209
S3 PARTS ACU NATIONAL TRIALS CHAMPIONSHIP	211
ACU NORMANDALE PRODUCTS TRADITIONAL TRIALS CHAMPIONSHIP	213
THE ACU SAMMY MILLER PRODUCTS TRIAL CHAMPIONSHIP	215
LUSCOMBE SUZUKI LEEDS BRITISH ACU SOLO YOUTH TRIALS CHAMPIONSHIP	217
BRITISH WOMENS & GIRLS TRIALS CHAMPIONSHIPS	219
THE ACU TRAIL BIKE CHAMPIONSHIP	221
TRIALS – MACHINE EXAMINERS CHECK LIST	222
TRIALS OFFICIALS	223
ARENA TRIALS	224
ATV TRIALS	225
BICYCLE TRIALS	226

The National Sporting Code of the ACU and these Standing Regulations shall apply to all Trials together with the Supplementary Regulations and any Final Instructions issued for individual events.

DESCRIPTION

A Trial is a test of riding skill and balance over a variety of observed natural obstacles with riders incurring penalties for footing or for failing to fulfil other conditions.

INFORMATION REGARDING AUTHORISATION AND LAND USE

Most events depend on goodwill from landowners, local authorities, nearby residents and other users of the countryside. For the continuance of orderly motorcycle sport, a Code, formulated by LARA has been adopted by the ACU. The Code for events with no speed element is reproduced below and will supplement the Standing Regulations. It is to be noted that where necessary disciplinary action will be taken if the Code is not fulfilled.

1. Any competitive event that is routed along, or across, footpaths or bridleways must be endorsed in advance by the Highways Authority for the area, unless the route of the event is on a highway of higher status.
2. The Organiser is responsible for obtaining authority from the landowners over whose the event passes, unless the route of the event is on a highway of higher [EC1] status.
3. Where the event requires use of public highway, [EC2]organisers must ensure that the Motor Vehicles (Competitions and Trials) Regulations 1969 are strictly adhered to. Events requiring authorisation must obtain this through the RAC Motor Sports Association, Authorisation Dept.
4. The Organiser is responsible for ensuring the event meets all requirements of the Road Traffic Act 1988 and the Statutory Instruments made thereunder.
5. The regulations, final instructions of an event should display the following sign: – “This event is routed along and/or across public rights of way. Competitors must exercise caution and reduce their speed accordingly near other path users. Be especially careful near horses. Slow down, stop and switch off your engine if necessary”.
6. The Organiser should appoint an officer responsible for event liaison. The Liaison Officer should, if appointed submit his name and address to the local Highway Authority, the Parish Council, the Police and landowners over whose land the event passes. The Liaison Officer will thoroughly investigate any complaints and try to resolve any problems arising from the event.
7. Wherever possible the Liaison Officer should maintain good relations with other path users in the area such as horse-riders, walkers, cyclists, recreational motoring groups and orienteers. The Liaison Officer should notify these groups in advance of an event where they are known to him.
8. All competitors must follow the Country Code.
9. Ensure that all aspects of the ACU Environmental Code are adhered to.

10. Emergency information

Supplementary regulations should include either a map reference or a postcode relating to the venue in order to assist the Emergency services.

NB In addition it is recommended that the map reference, farm name, address and postcode should be available at each Section together with the Mobile telephone number of the Secretary of the Meeting. The preferred method is to have this information on a card encased in a plastic wallet on a lanyard. Examples of these are available from ACU Offices.

Dogs

At some venues Dogs may be prohibited. Where they are allowed, they are to be kept under control and owners are responsible for clearing up any fouling which may occur.

TSR1 ELIGIBILITY/LICENCING

All riders and passengers must hold a current ACU Trials Registration/Membership card or a SACU licence. Any rider or passenger from another FMN MUST produce a licence issued by their FMN together with start permission and proof of personal accident Insurance.

Where the Trial includes the use of public highways, then this will be stated in the Supplementary Regulations. If public highways are used then it is the sole responsibility of the rider to ensure that their machine is roadworthy and that they and their machine comply with all legal requirements.

RIDERS AGE

a) **Adult riders:** A rider must be at least 16 years of age to participate as an Adult. Sidecar passengers under 16 years of age, but subject to a minimum age of 14, may be allowed to compete in Adult events subject to the discretion of the Trials and Enduro Committee.

b) **Youth Riders:** A rider must be at least 4 years of age to participate on an Electric powered machine and 6 years of age to participate in a trial using a combustion engine machine. After their 16th birthday a rider may compete as an Adult or as a Youth until the end of the calendar year that they reach 17yrs and may alternate (on an event to event basis) between Youth and Adult classes subject to the following:

- whilst riding in a Youth Class the rider is restricted to machines of a maximum capacity of 125cc
- whilst riding as an Adult, capacity restrictions do not apply.

Any rider who rides as an Adult in the Adult British Solo Trials Championship relinquishes the possibility to revert to Youth in the future.

Class E	Pre-Cadet Electric class	Minimum age – 4 years at the date of the competition and born between 01.01.06 and 31.12.08
Class D	Cadets born between	01.01.03 and 31.12.05
Class C	Juniors born between	01.01.2000 and 31.12.02
Class B	Inters born between	01.01.97 and 31.12.99
Class A	Seniors born between	01.01.95 and 31.12.96

ENGINE CAPACITY CLASSES: The maximum engine capacity permitted for machines used in the age groups set out in this Regulation are as follows:

CLASS A	125cc
CLASS B	125cc
CLASS C	80cc Medium Wheels & Electric up to 4 BHP measured at the rear wheel
CLASS C	80cc Standard Wheels & Electric up to 4BHP measured at the rear wheel
CLASS D	80 cc & Electric up to 4 BHP measured at the rear wheel –Medium wheels
CLASS D	50 cc Mono and electric up to 2BHP/ measured at the rear wheel 80ccTwinshock & Electric up to 4 BHP measured at the rear wheel – Small wheels
CLASS E*	Electric powered machines up to 2BHP measured at the rear wheel (*Organisers have the option of splitting the E class by wheel-size classes)

Wheel sizes – Standard Wheel – 21" Front – 18" Rear

Medium Wheel – 19" Front – 17" Rear

Small Wheel – 16" Front – 14" Rear

The above is based on the wheels of combustion engine machines using motorcycle tyres. If other wheels are used as on current Electric powered machines then the outside diameter (total circumference) of the tyre must not exceed that of the corresponding tyre size
Standard rebore are permitted subject to the resulting engine capacity not exceeding a tolerance of +3cc. NB. Any changes to the age groups and/or capacity classes will have at least 12 months notice and be effective from January of any year.

Criteria for riders wishing to ride in any higher class:

- Events below National status – a rider may compete in any class higher than that of his/her age group at the discretion of the organizers. However, they MUST ride the capacity applicable to their age.

- National status competitions – a rider may at the discretion of the Trials and Enduro Committee be permitted to ride in the higher class. Written application supported by written approval from the riders Centre must support such a request.

Criteria for riders wishing to ride in any lower class:

- A rider may enter any event in a class below that of his/her age group on a “no award, no points” basis.

The rider must always comply with the maximum capacity class for their actual age.

NB. See also TSR 37 TIME AND OBSERVATION RULES FOR YOUTH TRIALS

YOUTH RIDERS IN PRE 65 EVENTS

A & B class youth riders may, in events below National status, ride “classic machines” of up to 250cc in events specifically designed for that type of machine, held entirely off road. “Classic machines” are in this instance defined as machines with twin rear shock absorbers and drum brakes and which were built with this type of suspension as original equipment.

TSR2 ENTRIES

A Motorcycle Sport Event Entry Form must be completed in every detail, and signed by each entrant, rider or passenger. Each completed entry form, together with the entry fee (which includes riders insurance premiums for personal accident and off road risks) and Entry Subscription (see NSC 7.05) shall be forwarded to the Secretary of the Meeting. Where third party insurance cover to meet RTA requirements on the Public Highway is offered by the organiser, this will be at a supplementary cost. All riders, passengers and appointed persons responsible for minors, must register arrival at an event by signing-on at the event control office, or other designated area, not less than 30 minutes prior to commencement of said competitor’s practice or first competition, whichever occurs first.

Riders and Passengers under 18 years of age (Minors): In order to conform with the Children Act legislation, additionally, for every rider or passenger who is under 18 years of age a Parental Agreement must be signed. This is incorporated in the Annual Competition Licence and Trials Registration form and once completed will serve as the riders Annual Parental Agreement. All minors will be bound by the directions of parent(s), guardian(s) or other appointed adult responsible for them at any event.

Child Protection: The point of contact for Child Protection issues will be the Secretary of the Meeting unless otherwise stated in the Supplementary Regulations.

TSR3 LIMITATION OF ENTRIES

Any limitation on the maximum or minimum number of entries to be accepted, together with the method of limitation (e.g. in order of receipt, by ballot, etc.) must be included in the Supplementary Regulations.

TSR4 ACCEPTANCE OR REFUSAL OF ENTRY

The organiser should notify all riders of the position regarding their entry prior to the event.

TSR5 TEAM NOMINATIONS

TEAM-ONLY COMPETITIONS (E.G. INTER CENTRE).

All riders must sign an entry form and all entries must be made via an appointed Team Manager.

TRIALS INCORPORATING COMPETITION FOR TEAMS.

Teams shall consist of riders who have entered individually and such riders must complete a declaration on the entry form signifying their consent to nomination as a team member.

TYPE OF TEAM

- Club Teams.** A rider must be a registered member of the nominating Club and may be nominated as a member of one Club Team only.
- One Make of Manufacturers’ Teams.** Teams shall consist of riders all driving machines of the same manufacturer.

Details of further teams if any shall be contained in the Supplementary Regulations.

TSR6 CHANGE OF RIDER

All entries will be deemed to be in respect of the rider so named and no change of rider will be permitted except in the case of "Team Only" competitions where the Team Entry is submitted by a Team Manager. For "Team Only" competitions any change of an individual entry will be subject to the conditions of the Supplementary Regulations.

TSR7 CHANGE OF MACHINE AND/OR PASSENGER

Any request for change of machine and/or passenger must be made in writing and submitted to the Secretary of the Meeting at least one hour prior to the start of the event. The same machine must be used throughout the event. In the case of a sidecar this is deemed to be an integral part of the machine.

TSR8 MOTORCYCLES

Motorcycles must comply with Appendix D of the National Sporting Code. Prior to the start of each Trial all machines may be examined to ensure that they comply with ACU specifications. When the event uses the public highway it is the sole responsibility of the rider to present a machine complying with all Road Traffic Act(s) requirements Organisers, with the approval of the permit issuing authority, may at their discretion, allow riders to share the same machine in a Closed to Club Trial held on private land.

SOLO: Motorcycles propelled by the action of one wheel in contact with the ground and making only one track on the ground. Machines must have independent brakes on both front and rear wheels.

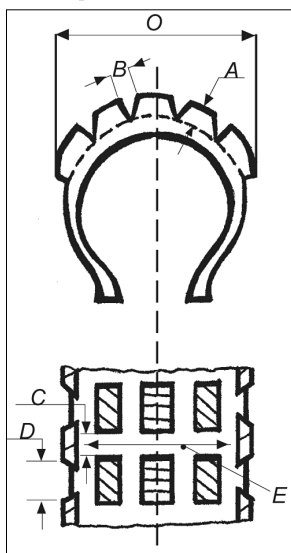
Brake and Clutch levers. All handlebar levers (clutch, brake etc.) must be in principle ball ended (diameter of this ball to be at least 16mm) This ball can also be flattened, but in any case the edges must be rounded (minimum thickness of this flattened part to be 14mm) These ends must be permanently fixed and form an integral part of the lever

Mudguards must be fit for purpose and corresponding to the original equipment.

Footrests must be of the folding type.

Throttle must be self closing when not held by the hand. The machine may be set with a "tickover".

Wheels If of cast, or fabricated construction (other than conventional spoked wheels) then protection must be provided to the rear wheel by the fitting of 'solid discs' to cover open areas.



Tyres. Only tyres which conform to the following specification may be used. All tyres will be measured mounted on the rim inflated to a pressure of 14 lbs/sq.in, and must have a nominal aspect ratio of 100/100. Overall width (O) measured at wheel spindle height must not exceed 115mm. (Refer to diagram). Tread depth (A) must not exceed 13mm. All tread blocks in the same circumference must be of the same depth. The space between the tread blocks (B) must not exceed 9.5mm across the tyre or 13mm in a circumferential direction (C). The space between the shoulder blocks (D) must not exceed 22mm. The space across the tread (E) must not extend completely across the tyre measured at right angles to the tyre wall unless broken by a block. All main tread blocks must in principle be parallel with or at right angles to the tyre axis. (Tyre must have the same appearance if reversed and conform in principle with these diagrams). The tyre surface must not be fitted with any subsequently mounted elements such as anti-skid devices, chains, etc. Note: Only tyres available from commercial sources and complying with these dimensions are permitted in competitions.

Tyres for Long distance Trials Only tyres normally available from commercial or retail sources for use on the public highway are authorised. They shall appear on the tyre manufacturers

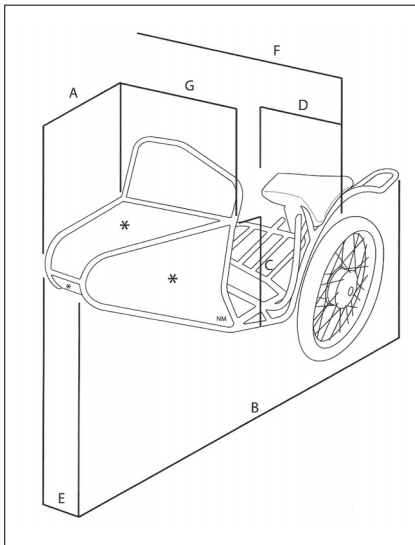
range catalogue or tyre specification list available to the general public. They must be manufactured to comply with European Tyre and Rim Technical Organisation (ETRTO) requirements in respect of load and speed codes and have a minimum service description of 45M. The use of MX and Enduro –type tread patterns are not permitted. The space between adjacent tread blocks must in principal not exceed 15mm (distance between tread block corners at diagonal groove intersections may exceed this dimension).

Cutout Buttons. All machines used by Youth competitors must be fitted with an operational cut out button.

Chainguards must be fitted to all motorcycles as per manufacturer’s specification.

Engine Stroke. Engine stroke in millimetres must be permanently and prominently displayed on the crankcase for use in sound control calculations.

TRIALS SIDECAR SPECIFICATION



All motorcycles in Categories B (1), B (2) and B (3) shall comply with the following requirements:

- a) The entire body, including the floor, shall be either sheet metal or other substantial material, and the Sidecar must be rigidly fixed to the motorcycle
- b) Minimum dimensions shall be:
 - A. Measurement from the nose to dashboard – 450mm (18")
 - B. Overall length nose to tail – 1350mm (54")
 - C. The height of the body at the apex of the dashboard position – 375mm (15")
 - D. The overall distance between the outside of the Sidecar mudguard or bodywork and the inside of the passenger’s seat measured at right angles to the machine track – 300mm (12")
 - E. Width of body at forward end – 150mm (6")
 - Depth of body at forward end – 150mm (6")
 - OR if the forward end is hemispherical and radius shall be not less than 75mm (3")
 - F. Track – minimum 876mm (34½")

The distance is measured from the centre of the track left by the rear wheel to the centre of the track left by the sidecar wheel.

G. Overall width of cockpit at seating position – 300mm (12")

A seat measuring not less than 180mm (7.5") × 125mm (5") must be fitted. The height of the seat shall be not less than 300mm (12") from the floor of the sidecar.

- c) The fitting of grab rails, handles, straps etc shall be according to the driver’s requirements.
- d) Protection for the passenger must be provided from the rear wheel, the primary and final drive of the motorcycle, and from the sidecar wheel, by means of either a mudguard or the coachwork of the sidecar.
- e) The use of sidecar wheel drive is prohibited.

TSR 9 FUEL

Commercially available unleaded fuel must be used. Power boosters or octane boosters are forbidden. Refuelling should not take place when the engine is still running. Mobile Phones must not be used in refuelling areas.

TSR10 TELEMETRY

The use of Telemetry between the motorcycle and any other equipment by radio means is not allowed. In events where Assistants are allowed the use of Bluetooth communication between the Rider and Registered Assistant is allowed.

TSR11 RIDING NUMBERS

Riding numbers issued by the organisers, whether card or numbered bibs must be clearly displayed in a legible condition throughout the competition. Riding numbers shall not be defaced in any way and no event sponsors advertising shall be covered. Riding numbers shall be removed at the Finish. Where there are different section routes for different classes of rider

Each rider shall be issued with a means of identification as to which route is applicable, to reflect the route the competitor is riding

TSR12 CLOTHING

Clothing must cover legs and body and it is recommended that arms should be covered. Boots of approximately knee length must be worn. Only safety type Wellington boots made of leather, rubber or plastic will be allowed. The wearing of gloves is recommended. Motorcycle helmets, which must be correctly fitted, must be worn by all officials, riders and sidecar passengers when riding a motorcycle or quad.

Youth: All Youth competitors must have clothing covering arms and wear gloves covering hands and fingers.

Jewellery Competitors are advised not to wear hand, face or body jewellery which could prove hazardous in the event of an accident. The mouth should be kept clear of anything likely to cause a blockage of the airway in the event of an accident, e.g. chewing gum. This includes removing false dentures.

TSR13 PILLION PASSENGERS

The carrying of pillion passengers is not allowed except where provision has been made for this in the Supplementary Regulations.

TSR14 CONTROL OF EXHAUST SOUND LEVEL

The sound level of a Trials machine controlled according to the ACU method and measured at 2 metres distance will not exceed 85 dBA. (For precise method of testing, see Sound Control Regulations in this Handbook). The correct engine piston stroke in millimetres must be permanently and prominently displayed on the crankcase for use in sound control calculations. (NS Code). There may be one or more 'spot' sound level tests during the event. Any rider required to take this 'spot' test will be given a delay time of 5 minutes, but will not be allowed to make any adjustments. Riders who pass the sound level test must wait until the 5 minutes delay time has expired before proceeding. At all subsequent timing points, the delay time will be allowed for. Any rider whose machine exceeds the maximum permitted sound level or does not present his machine in a testable condition will face immediate disqualification and must return to the finish as directed.

Additionally, at any time during the event, the Clerk of the Course or the appointed official is empowered to exclude any machine he considers excessively noisy.

TSR15 START AND FINISH

Prior to Starting, the rider must have signed on, had his/her machine examined and be suitably dressed. All riders, including riders who have retired, must report to the Finish where they may be required to sign off. The method of deciding the starting order for solos and sidecars will be stated in the Supplementary Regulations or, where applicable, in the appropriate Championship Regulations.

TSR16 TIME

For Trials other than Time and Observation Trials, where full details regarding the calculation of time penalties shall be included in the Supplementary Regulations, the following shall apply; if a time restraint is applied to part or all of the Trial, it shall be in the form of an individual allowance for each rider and the details given in the Supplementary Regulations or Final Instructions. Wherever a Time restraint is applied there must be a Clock showing the Official time visible to all riders at each time control point.

A rider's Time Allowance shall commence from the actual time the rider starts. The location of the final Time Control should be at the last section, or as close as practical, so that riders do not travel on the public highway between the last Section and the Control. Riders will be penalised one mark per minute or part of that minute up to a maximum of twenty for late starting, or arriving late at any subsequent Time Control, and thereafter disqualified.

TSR17 COURSE/ROUTE

The Organiser/Clerk of the Course must ensure that due consideration is given to the age and abilities of the riders when planning and marking the course and that suitable marking is displayed to guide and restrict any spectators/members of the Public who may attend.

The onus of following the correct route rests entirely with the rider. A rider leaving the course must rejoin it at the same point. When public roads are used to connect areas of private land a map clearly showing their position must be displayed at the Start or in the programme. The onus of finding these areas of private land rests entirely upon the rider and any route making provided by the organisers is purely for assistance. The promoters reserve the right to modify the route. To qualify as a finisher and be eligible for an award, the rider's machine must have travelled the whole distance under its own power or the exertion of the rider and passenger. Any rider, who on any private land is accompanied by another vehicle unconnected with the event, is liable to disqualification. Any competitor who is, in the opinion of the Clerk of the Course, considered to be riding the course for the benefit of another competitor is liable to disqualification and reporting to the Stewards for disciplinary action.

Organisers should display Warning Notices at the event, recommended to be placed at any point of the course where the public is likely to congregate.

If route marking is appropriate it is recommended that discs (square, round, etc – not arrows) are used to signify the direction – red for right, blue for left and white to straight on. It is suggested also that where a red or blue disc is used then following the turn, there should be a white to assure the rider that the correct route has been taken.

TSR18 OBSERVED SECTIONS

The organiser must announce which route each class is riding and the corresponding colours of the corresponding route marking. Details may be displayed at signing on, at the first section or contained in the Final Instructions or programme. Riders in the same class must all start at the same section. It is recommended that routes be marked as follows:

Route A – Principle Route – Blue (left) Red (right)

Route B – Yellow both sides

Route C – White both sides

Any further routes to be marked in a colour chosen by the Organiser

In the above, the letters denote the severity of the sections in descending order ie Route A would be hardest, Route B next hardest and so on.

Routes may be marked in their entirety in the colours shown – or the Organiser may mark appropriate diversions in these colours. Ideally – the coloured section of markers should be in the shape of an arrow – with the point toward the centre of the section

No penalty shall be imposed on a rider who wishes to inspect a section before riding it.

The lateral limits of an Observed Section or Sub Section may be defined by artificial boundaries such as markers or tapes, which shall be firmly placed and positioned in a way so as to clearly define the

intended limits of the section. If tapes are to be used they shall always be clear of the ground but not exceed a height of 500mm from the ground.

The Start and Finish of each Observed Section or Sub-Section will be clearly defined, with the Section Begins and Section Ends identified as such.

Sections and Sub-Sections shall be numbered or lettered and ridden in the correct sequence unless otherwise instructed by the organisers.

A rider failing in a Sub-Section must restart in a forward direction from the Sub-Section in which he has failed.

To qualify as a Finisher and be eligible for an award, the competitor must be deemed to have made a bona fide attempt at least 75% of the course.

TSR19 PUNCHCARDS

If punchcards are used, the onus of looking after these rests entirely on the rider and only the rider/passenger may present the punchcard to the observer. Any disagreement over the score punched, or errors must be reported to the Secretary of the Meeting immediately upon completion of the event. The Observer must be informed that this action is being taken as any error not verified by the Observer shall not be accepted. Refusing to have the card punched, deliberately disfiguring or losing the punch card will result in disqualification for which no protest will be accepted. Any rider who does not return his punchcard to the appointed Official without delay will be classed as retired.

TSR20 OBSERVERS

An Observer is an assistant to the Clerk of the Course appointed to judge a competitor's performance in an Observed Section. No protest or appeal can be accepted against a judgement of performance made by an Observer, however, a protest may be accepted against any breach, or misinterpretation of the Regulations.

A mistake made by an Observer may be corrected by the Observer with the approval of the Clerk of the Course.

TSR21 INSTRUCTION TO RIDERS

Any instruction to rider subsequently issued shall have the same force as these Standing Regulations and the Supplementary Regulations providing it is issued by one of the following methods.

- Issued in writing and distributed to each rider
- Issued via a clearly situated notice board
- Via a riders briefing meeting, providing all riders have been informed of the venue and time of such a meeting.

TSR22 METHOD OF MARKING

A machine will be deemed to be in an Observed Section or Sub-Section when the front wheel spindle has passed the 'Section Begins' Card and until the front wheel spindle has passed the 'Section Ends' Card. Marks will be lost as follows: –

A. STOP PERMITTED

- | | |
|----|---|
| 0 | Clean |
| 1 | Footing once |
| 2 | Footing twice |
| 3 | Footing more than twice |
| 5 | Failure |
| 5 | When requested by a rider rather than attempt the section |
| 5 | Entering a section before being called upon to do so by an official |
| 10 | Not attempting a section when called upon to do so by an Official |
| 10 | For missing a section or failing to have punch card marked. |

Graded Hills. Where a Section is to be termed a 'Graded Hill' a notice to that effect must be displayed

at the Section Begins, and the following shall apply: – Numbered boards must be placed at defined places along the Section, in order that a rider's performance may be determined. Marks will be lost in a decreasing manner from 5 to 0 depending on the distance a rider can traverse the Section without failure. The front wheel spindle is the part of the machine to be used in assessing the distance traversed.

- | | |
|----|---|
| 0 | Clean |
| 1 | Reaching or passing the "1 Board" without Failure. |
| 2 | Reaching or passing the "2 Board" without Failure. |
| 3 | Reaching or passing the "3 Board" without Failure. |
| 5 | Failure to reach the "3 Board". |
| 5 | When requested by a rider rather than attempt the section |
| 10 | Not attempting a Section when called upon to do so by an Official |
| 10 | For missing a section or failing to have punch card marked. |

DEFINITIONS

Clean: A rider traversing a Section as defined above without penalty as described under FOOTING or FAILURE shall be unpenalised and given a "CLEAN".

Footing: Footing will be considered to have occurred if any part of the rider's body or any part of the machine, (with the exception of the tyres or the sump shield) touches the ground or the rider benefit from any part of their body, or any part of the machine, (with the exception of the tyres or the sump shield) leaning on an obstacle (tree, wall etc.)

Footing outside the lateral limits of a Section does not constitute a failure but should simply be classed as footing.

Failure: A failure is considered to have occurred if:

- a) The machine moves backwards.
- b) The rider does not have both hands on the handlebar WHEN HE FOOTS WHILST STATIONARY.
- c) The engine stops WHILST ANY PART OF THE MACHINE, WITH THE EXCEPTION OF THE TYRES, TOUCHES THE GROUND OR THE RIDER IS FOOTING.
- d) The rider dismounts from the machine. Dismount will be deemed to have occurred when both of the rider's feet are on the ground at the same side of, or behind the machine.
- e) A rider is requested to leave the section by the observer for "unnecessary delay".
- f) A machine does not stay within the intended limits of the section and within each marker.
- g) If any wheel of the machine crosses any boundary tape or marker whether the wheel be on the ground or airborne before the front wheel spindle passes the "Section ends" sign.
- h) The rider is held responsible for displacing a marker or support in an observed section whereby the observer considers it necessary to reinstate the flag /marker prior to the passage of the next rider
The displacing of a marking not relating to the competitor's route will be considered to warrant a penalty
- i) Travelling in a forward direction against the direction of the Section.
- j) The machine or rider receives outside assistance.
- k) A rider or person having an interest in a rider's performance, who in any way alters the severity of a section without the authority of an official.

For all trials other than those for which Championship Regulations apply the organiser may, with the agreement of the Permit Issuing Authority, apply a time limit to each section. The time allowed must be the same for each and every Section and the penalty for a rider not completing the Section within that time would be failure. If a time limit is to be applied to the Sections then this must be clearly stated in the Supplementary Regulations.

B. NON-STOP (SOLO & SIDECAR)

- 0 Clean
- 1 Footing once
- 2 Footing twice
- 3 Footing more than twice
- 5 Failure
- 5 When requested by a rider rather than attempt the section
- 5 Entering a section before being called upon to do so by an official
- 10 Not attempting a section when called upon to do so by an Official
- 10 For missing a section or failing to have punch card marked.

Graded Hills. Where a Section is to be termed a 'Graded Hill' a notice to that effect must be displayed at the Section Begins, and the following shall apply: – Numbered boards must be placed at defined places along the Section, in order that a rider's performance may be determined. Marks will be lost in a decreasing manner from 5 to 0 depending on the distance a rider can traverse the Section without failure. The front wheel spindle is the part of the machine to be used in assessing the distance traversed.

- 0 Clean
- 1 Reaching or passing the "1 Board" without Failure.
- 2 Reaching or passing the "2 Board" without Failure.
- 3 Reaching or passing the "3 Board" without Failure.
- 5 Failure to reach the "3 Board".
- 5 When requested by a rider rather than attempt the section
- 10 Not attempting a Section when called upon to do so by an Official
- 10 For missing a section or failing to have punch card marked.

DEFINITIONS.

Clean: A rider traversing a Section as defined above without penalty as described under FOOTING or FAILURE shall be unpenalised and given a "CLEAN".

Footing: Footing will be considered to have occurred if any part of the rider's body or any part of the machine, (with the exception of the tyres or the sump shield) touches the ground or the rider benefit from any part of their body, or any part of the machine, (with the exception of the tyres or the sump shield) leaning on an obstacle (tree, wall etc.),

Footing outside the lateral limits of a Section does not constitute a failure but should simply be classed as footing.

Failure: A failure is considered to have occurred if: –

- a) Solo
 - (i) The machine ceases to move in a forward direction.
 - (ii) The rider dismounts from the machine. Dismount will be deemed to have occurred when both of the rider's feet are on the ground at the same side of the machine.
- (b) Sidecar
 - (i) The machine ceases to move in a forward direction.
 - (ii) The rider dismounts from the machine. Dismount will be deemed to have occurred when both of the rider's feet are on the ground at the same side of the machine.
 - (iii) The passenger foots i.e. if any part of the passenger's body touches the ground, or benefit is gained from any part of his body leaning on an obstacle (tree, wall etc.).

The following apply to solo or sidecar:

- c) A machine does not stay within the intended limits of the section and within each marker.
- d) If any wheel of the machine crosses any boundary tape or marker whether the wheel be on the ground or airborne before the front wheel spindle passes the "Section ends" sign.
- e) The rider or passenger is held responsible for displacing a marker or support in an observed section whereby the observer considers it necessary to reinstate the flag /marker prior to the passage of the next rider

The displacing of a marking not relating to the competitor's route will be considered to warrant a penalty

The rider or passenger is held responsible for displacing a flag, marker or support in an observed section etc.

- f) Travelling in a forward direction against the direction of the Section.
- g) The machine, or rider or passenger receives outside assistance.
- h) A rider or person having an interest in a rider's performance, who in any way alters the severity of a section without the authority of an official.

TSR23 TIES

a) Ties in an Event

Where a special test will be used to determine ties details must be included in the Supplementary Regulations for the event.

Where there is no special test, ties will be resolved by the following method in the sequence shown.

- a) In favour of the rider with the highest number of cleans.
- b) In favour of the rider with the highest number of one mark.
- c) In favour of the rider with the highest number of two marks.
- d) In favour of the rider with the highest number of three marks.
- e) In favour of the rider who travelled furthest with the least marks lost.
- f) In favour of the rider who completes the course with the least marks lost on time.

If the event is part of a Championship and if a tie cannot be resolved in accordance with the above those involved in the tie will be allocated the points of the highest place for which the tie exists.

23 b) Ties at the end of a Championship Series.

The number of rounds and the number of rounds to count for the final assessment must be stated in the Championship Regulations.

Should a tie occur in a Championship series it shall be decided as follows:-

- a) In favour of the rider with the greatest number of wins in ALL rounds held .
- b) If not resolved then the greatest number of second places and so on down to 15th place in ALL rounds held.
- c) If not then resolved, by the rider with the best performance in the final event held

TSR24 FINAL ASSESSMENT OF CHAMPIONSHIPS

The Championship Regulations for any Championship must state the number of rounds to count for the Final Assessment eg; "All rounds to count" or "All rounds held less one, or all rounds less two to count". If no indication is stated then it will be assumed that all rounds held will count.

TSR25 BAULK

A baulk is deemed to have occurred when a rider, whilst attempting an observed section, is prevented from making a bona-fide attempt due to some outside obstruction. Should a rider claim a baulk, the Observer may, at his discretion, allow a rerun of the section. The Observer's decision as to whether a rerun is permitted is final. Should a re-run be granted, any marks lost prior to the point of the baulk on the original attempt shall stand, and the section shall be observed from the point of the baulk. Regarding any time allowed for the section the re-run shall start from the Section Begins and the time will be measured for the total section as if no obstruction had taken place.

TSR26 PRACTICING

Unofficial practising at the venue is prohibited. A breach of this regulation renders the rider liable to disqualification from the event and to be reported to the stewards of the meeting for disciplinary action. If official practice is to be allowed, either in a suitable area away from the paddock, or on the sections to be used, then full details must be stated in the Supplementary Regulations.

Where another event takes place at the same venue it will not be considered to constitute unofficial practice.

TSR27 PREJUDICIAL ACTION

Any person having an interest in a rider's performance, who takes any action prejudicial to the sport may result in the disqualification of that rider. Riders, parents or associates failing to obey instructions given by officials of a meeting or deemed to have unjustifiably or maliciously jeopardised the efficient running of the meeting by not adhering to the Regulations, Supplementary Regulations or the Protest or appeal procedure, may render the rider liable for disqualification and/or being reported to the permit issuing authority for further action.

TSR28 LEGAL ACTION

A rider who is convicted following a police prosecution for an offence committed by them whilst taking part in the competition may be liable to disqualification.

TSR29 INSURANCE

The organisers will be required to cover riders and passengers against Personal Accident risk and for Third Party Insurance for 'off-the-road' risks whilst taking part in the event and the premium for such insurance will be included in the entry fee. Where the Trial involves the use of Public Highways each rider will be required to declare that there will be in force in relation to the use of the vehicle which they intend to ride during the event such a policy of insurance or such a security in respect of third party risks as complies with the requirements of the current Road Traffic Acts. Where the organiser wishes to offer (through the ACU Insurance Broker), Third Party Insurance cover necessary to meet the Road Traffic Act requirements on Public Highways, this must be stated in the Supplementary Regulations. It is the rider's responsibility to request this insurance, complete the necessary forms and pay the required premium.

TSR30 ABANDONMENT

The organisers reserve the right, subject to the approval of the Stewards of the Meeting, to cancel, postpone or abandon the competition, if circumstances should arise which in their opinion, render such action necessary.

TSR31 MEDICAL SERVICES

It is recommended that a person holding a certificate of First Aid competency be present at all events. In addition it is recommended that the organiser shall be conversant with the nearest Accident/Emergency Services and insure they have a means of contacting them. Organisers must also refer to the "Medical Services and Definition" section of this Handbook.

TSR32 LIABILITY FOR DAMAGE

A rider is liable for any damage caused by themselves, their passenger, or any agent, representative or servant acting on their behalf, during the meeting. The promoters may act as agents for such persons to agree and pay for any such damage, and the rider shall on demand reimburse the promoters any sum so paid.

TSR33 DISCLAIMER

It is condition of acceptance of entry that the promoters shall not be responsible for any damage to, or loss of a motorcycle or its accessories whether by fire, accident or any agent, representative or servant acting on their behalf, during the meeting.

TSR34 OFFENSIVE BEHAVIOUR

Any rider, or party with an interest in a rider's performance, reported to the Clerk of the Course for

arguing or being offensive to an Observer, or other Official, renders that rider liable to disciplinary action. Where the organiser issues the Observer with a Yellow Card, any rider who is shown the “Yellow Card by an Observer is liable to disqualification by the Clerk of the Course.

TSR35 YOUTH AWARDS

Cash awards and gift vouchers are not permitted for Youth classes.

TSR36 JOINT ADULT/YOUTH EVENTS

Youth classes may be included in adult events, but they must ride within the AGE GROUPS AND ENGINE CAPACITY CLASSES in the Regulations. Youth and Adult classes must compete for separate awards. These Regulations shall apply to all youths taking part in such competitions.

TSR 37 TIME AND OBSERVATION RULES FOR YOUTH TRIALS (A & B CLASS RIDERS)

1. Qualified First Aid Personnel with equipment and transport must be in attendance.
2. The course must be marked in such a manner that excludes sharp corners and blind bends wherever possible.
3. Travelling Marshals will be provided to give at least one per two miles of course.
4. The Regulations must include the note “This Event is not recommended for Novice Riders”.
5. The general public are to be discouraged from entering the area of the course.
6. Any other Youth class riders are only allowed to participate after prior approval of the Trials and Enduro Committee.
7. A Steward appointed either from ACU Headquarters or from the Local Centre should be in attendance.

TSR38 COMPLIANCE WITH REGULATIONS

Every rider, by entering or being nominated, thereby acknowledges that he is bound by the National Sporting Code of the ACU and these Standing Regulations together with any Supplementary Regulations and Final Instructions to be hereafter issued, to all of which he undertakes to submit and moreover renounces any right to have recourse to any arbitration or tribunal not provided for in the said Rules and Regulations.

TSR39 RESULTS

The method to be used for the publication of the results must be shown in the Supplementary Regulations or the Championship Regulations.

TSR 40 PROTESTS

See Appendix B of this Handbook

Where results are sent by post, sent by email or published on a web-site any protest must be submitted within 14 days of publication. The date of publication of results on a Web site or by email should be shown on the results, or confirmed by postmark if mailed and the Protest period will commence from this date.

Where the full results are displayed, signed by the Clerk of the Course (or appointed official) with the time of day, on a board within 30 minutes of the last rider finishing any protest must be submitted within 30 minutes of the time of signing.

TSR41 INTERPRETATION

The interpretation of these Standing Regulations and the Supplementary Regulations or Instructions to rider will rest entirely with the Stewards of the Meeting whose decision shall be final and binding except as provided in the National Sporting Code.

TSR42 POWER WASHERS

It is prohibited to use power washers, unless the organisers offer suitable facilities which comply with the ACU Environmental Code.

TSR43 FIRE EXTINGUISHERS

There shall be at least one fire extinguisher at the start of each event and at any subsequent designated refuelling areas. (Mobile phones must not be used in designated refuelling areas).

Luscombe Suzuki Leeds British/ACU Sidecar Trials Championship

These Championship Regulations to apply in addition to the National Sporting Code, Standing Regulations for Trials and the Supplementary Regulations for each event.

Championship points will be awarded to competitors of any Nationality. The title “Luscombe Suzuki Leeds British/ACU Sidecar Trials Champion” will be awarded to the competitor with the most points who holds British Citizenship. If the competitor with the most points is not a British Citizen, they will be awarded the title of “Luscombe Suzuki Leeds British Open Sidecar Trials Champion”. This principle will apply throughout the Championship classes.

- 1 **Title of Event.** All Supplementary Regulations and programmes must include the words “A round of the Luscombe Suzuki Leeds British/ACU Sidecar Trials Championship”.
- 2 **Series Sponsor.** Where there is a Series Sponsor who provides bibs/riding numbers, these must be used by the rider without alteration or the obscuring of Sponsors’ logo
- 3 **Qualifying meetings.** The list of events will be found in the current ACU Fixture List.
- 4 **Classes.** Class A – British/ACU Championship. Class B – British/ACU Intermediate Championship. Class C – British/ACU Clubmans Championship. Class D – British/ACU Newcomer. (A newcomer is classified as a rider who has never competed in the British/ACU Clubmans Trials Championship on any class of sidecar machine prior to the current year). The Intermediate Class will ride a 50/50 combination of Championship and Clubmans sections as determined and identified by the Clerk of the Course.
- 5 **Eligibility.** To be eligible for British/ACU Clubman Championship and British ACU Intermediate Championship points, riders must not have won that Championship class in the previous year. Championship class riders may downgrade at the discretion of the Trials and Enduro Committee. Riders not eligible for points (as detailed above) may compete on a no points basis.
- 6 **Acceptance or Refusal of Entry.** The organiser should notify all riders of the position regarding their entry prior to the event.
- 7 **Starting Order.** The organisers shall determine the starting order by ballot. Group A will comprise of the British Sidecar Championship riders.
Group B will comprise of Classes B, C & D. The riders from Group D will start first followed by the riders from Group C, then Group B and finally riders from Group A.
- 8 **Starting Intervals.** All riders must start at one minute intervals.
- 9 **Method of Marking.** The Championship will be held under TSR22B – Non Stop.
- 10 **Time.** A time restraint must be applied to part of or all of the Trial. It shall be in the form of an individual Time Allowance for each rider and the details given in the Supplementary Regulations or Final Instructions.
A rider’s Time Allowance shall commence from the actual time the rider starts. The location of the final Time Control should, wherever possible, be situated so that riders do not have to travel on the public highway between the last Section and the Control. Riders will be penalised 1 mark per minute up to a maximum of 20 for late starting, or arriving late at any subsequent Time control and thereafter excluded.
- 11 **Championship Points.** Championship points for each class will be awarded to the top 15 eligible finishers in each round on the following scale:

1st 20 points	6th 10 points	11th 5 points
2nd 17 points	7th 9 points	12th 4 points
3rd 15 points	8th 8 points	13th 3 points

4th 13 points	9th 7 points	14th 2 points
5th 11 points	10th 6 points	15th 1 point

Should a Tie occur it is to be resolved in accordance with TSR23 (a)

12 **Protests.** Protests in this Championship must be submitted within 30 minutes of the announcement of results provided the results are displayed within 30 minutes of the last rider finishing.

13 **Final Assessment.** At the conclusion of the Series, the points for each rider’s performance in all rounds held less one will be added together and the rider with the highest number of points to his credit will be awarded the relevant Championship title.
Should a tie occur it is to be resolved in accordance with TSR23 (b)

14 **Course.** The course shall be a simple loop type of one or two laps with a total overall distance of approximately 15–30 miles.

15 **Observed Sections.** The sections should be of a natural terrain i.e. no man-made artificial hazards. Sections for the Intermediate Class will be determined by the Clerk of the Course and identified accordingly.

16 **Awards.** The Organisers shall supply a minimum of one award to the first eligible finisher in each class in the event. The overall winners of the series will receive a perpetual award which will be presented together with an ACU medal at the annual ACU Awards Presentation.
Where more than one passenger accompanies the driver in the series the passenger named on the award shall be the one who rides in the most rounds.

17 **Jurisdiction.** IN GRANTING A PERMIT TO “PROMOTE” THE TRIALS AND ENDURO COMMITTEE DOES NOT ABROGATE ITS OVERALL RESPONSIBILITY FOR THE CHAMPIONSHIP SERIES AND MAY IN ITS ABSOLUTE DISCRETION, WITHHOLD POINTS FOR ALL OR PART OF A “ROUND” INTRODUCING A REPLACEMENT EVENT AT A LATER DATE IF SEEN FIT.

S3 Parts ACU National Trials Championship

These Championship Regulations to apply in addition to the National Sporting Code, Standing Regulations for Trials and the Supplementary Regulations for each event.

Championship points will be awarded to competitors of any Nationality. The title "S3 Parts ACU National Trials Champion" will be awarded to the competitor with the most points who holds British Citizenship. If the competitor with the most points is not a British Citizen, they will be awarded the title "S3 Parts ACU National Trials Champion". This principle will apply throughout the Championship classes.

- 1 **Title of Event.** All Supplementary Regulations and Programmes must include the words – "incorporating the S3 Parts ACU National Trial Championship". Where possible the sponsors logo provided must be used.
- 2 **Series Sponsor.** Where there is a Series Sponsor who provides bibs/riding numbers, these must be used by the rider without alteration or the obscuring of Sponsors' logo
- 3 **Eligibility.** To be eligible for Championship points, (Classes A, B and C) the riders must not, in the previous three calendar years, have finished either in the top ten places in the final standings of the British Solo Trials Championship, or won the British Solo Expert A Championship, or have won the S3 Parts ACU National Trials Championship more than once in the previous 3 years. Exceptions may be made at the discretion of the Trials and Enduro Committee. Priority of entry at the closing date to be given to point scorers from the current series.
- 4 **Classes.**
 - A. All riders eligible for Championship points.
 - B. Riders eligible for Championship points who are aged over 40 years at the date of the competition are also eligible for points in the "Over 40 S3 Parts Championship".
 - C. Riders eligible for Championship points and riding a machine not exceeding 125cc are also eligible for points in the "125cc S3 Parts Championship".
 - D. Additional riders not eligible for Championship points (as described above) who wish to ride the Championship route through the sections.
Organisers may include this additional class which will have an easier route through up to 50% of the Sections.
 - E. Riders riding the non Championship route including easier sections.
- 5 **Sections.**
Riders riding Classes A, B, C, and D will ride the principle route through all sections. Riders riding Class E (if included at the organiser's discretion) will ride no less than 50 % of the principle Sections and an easier marked route through the remainder.
- 6 **Starting Intervals.** All riders must start individually at One Minute Intervals.
- 7 **Time.** A time restraint must be applied to part of or all of the Trial. It shall be in the form of an individual Time Allowance for each rider and the details given in the Supplementary Regulations or Final Instructions.
A rider's Time Allowance shall commence from the actual time the rider starts. The location of the final Time Control should, wherever possible, be situated so that riders do not have to travel on the public highway between the last Section and the Control. Riders will be penalised 1 mark per minute up to a maximum of 20 for late starting, or arriving late at any subsequent Time control and thereafter excluded.
- 8 **Championship Points.** Championship points for each class will be awarded to the top 15

eligible finishers in each round on the following scale:

1st 20 points	6th 10 points	11th 5 points
2nd 17 points	7th 9 points	12th 4 points
3rd 15 points	8th 8 points	13th 3 points
4th 13 points	9th 7 points	14th 2 points
5th 11 points	10th 6 points	15th 1 point

Should a Tie occur it is to be resolved in accordance with TSR23 (a)

9 **Final Assessment.** At the conclusion of the Series, the points for each rider’s best results from all rounds held less one, will be added together and the rider with the highest number of points to his credit will be awarded the relevant Championship title.

Should a tie occur it is to be resolved in accordance with TSR23 (b)

10 **Awards.** The organisers shall supply a minimum of three awards to the first three eligible finishers in the event, plus an award for the best 125cc award winner and an award for the best over 40 years award winner. The overall winner of the Series will receive a perpetual award which will be presented, together with an ACU gold medal, at the annual ACU Awards Presentation.

11 **Special Notes.** Entry Form/Programme. Provision must be made for the declaration of eligibility for this Championship on the entry form and the programme must indicate which riders are eligible to compete.

12 **Protests.** Protests in this Championship must be submitted within 30 minutes of the announcement of results provided the results are displayed within 30 minutes of the last rider finishing.

13 **Course.** Whilst this is a National Trial, the Championship course must be laid out to a standard suitable for Clubman type riders the course shall be a simple loop type of no more than 2 laps with a total overall distance of between 18 and 36 miles.

14 **Method of Marking.** The Championship will be held under TSR22B.

15 **Jurisdiction.** IN GRANTING A PERMIT TO “PROMOTE” THE COMMITTEE DOES NOT ABROGATE ITS OVERALL RESPONSIBILITY FOR THE CHAMPIONSHIP SERIES AND MAY IN ITS ABSOLUTE DISCRETION, WITHHOLD POINTS FOR ALL OR PART OF A “ROUND” INTRODUCING A REPLACEMENT EVENT AT A LATER DATE IF SEEN FIT.

ACU Normandale Products Traditional Trials Championship

These Championship Regulations to apply in addition to the National Sporting Code, Standing Regulations for Trials and the Supplementary Regulations for each event.

Championship points will be awarded to competitors of any Nationality. The title “ACU Normandale Products Traditional Trials Champion” will be awarded to the competitor with the most points who holds British Citizenship. If a competitor with the most points is not a British Citizen they will be awarded the title “ACU Open Traditional Trials Champion”. This principle will apply throughout the Championship classes.

- 1 **Title of Event.** All Supplementary Regulations and Programmes must include the words “A round of the ACU Normandale Products Traditional Trials Series” in the heading and reference to the sponsor, if any, is to be made at the beginning of the regulations.
- 2 **Series Sponsor.** Where there is a Series Sponsor who provides bibs/riding numbers, these must be used by the rider without alteration or the obscuring of Sponsors’ logo
- 3 **Qualifying Meetings.** The list of events may be found in the current ACU Fixture List.
- 4 **Eligibility.** Priority of entry at the closing date will be given to Championship points scorers from the current series and the previous year subject to completed entry forms being received by that date.
- 5 **Classes**
 CLASS A – All major machine components including frame, forks, hubs, engines and gearboxes, to be a silhouette of the original British manufactured parts which were available before 1975.
 CLASS B – Machines with Twinshock rear suspension as fitted at the time of manufacture and fitted with drum brakes, not included in Class A.
 CLASS C – Machines with a Monoshock rear suspension and an air cooled engine.
 CLASS D – Machines not included in classes A, B, and C but ridden by a competitor over 40 years of age (as at the date of the competition).
 CLASS E – Machines not included in classes A, B, C and D but ridden by a competitor over 50 years of age (as at the date of the competition).
 CLASS F – Machines not included in A, B, C, D and E, but ridden by a competitor over 60 years old (as at the date of the competition).
 All riders in the same class must ride the same route.
 An additional Non-Championship class for Air-cooled Monos and Trail bikes may be added at the organisers discretion. However priority must be given to Championship entrants if the number of entries is limited.
- 6 **Course.** The course shall be of a simple loop type, of no more than 2 laps, with a total overall distance of between 15 and 30 miles.
- 7 **Observed Sections.** The sections shall be of natural terrain, i.e. no man made materials shall be used, and should be suitable for all classes. However, up to 50% of sections may be over a dual route with easier sections for classes A, E & F Riders eligible to ride in classes B, C, & D may enter to ride the easier route on a no award, no points basis.
- 8 **Marking.** Marking will be to TSR22 B No stop permitted.
- 9 **Starting Intervals.** All riders must start at one minute intervals.
- 10 **Time.** A time restraint must be applied to part of or all of the Trial. It shall be in the form of an individual Time Allowance for each rider and the details given in the Supplementary Regulations or Final Instructions.

A rider’s Time Allowance shall commence from the actual time the rider starts. The location of the final Time Control should, wherever possible, be situated so that riders do not have to travel on the public highway between the last Section and the Control. Riders will be penalised 1 mark per minute up to a maximum of 20 for late starting, or arriving late at any subsequent Time control and thereafter excluded.

11 **Championship Points.** Championship points will be awarded to the top 15 eligible finishers in each class at each round on the following scale:

1st 20 points	6th 10 points	11th 5 points
2nd 17 points	7th 9 points	12th 4 points
3rd 15 points	8th 8 points	13th 3 points
4th 13 points	9th 7 points	14th 2 points
5th 11 points	10th 6 points	15th 1 point

Should a Tie occur it is to be resolved in accordance with TSR23 (a)

12 **Final Assessment.** At the conclusion of the Series, the points for each rider’s best results from all rounds held less one will be added together and the rider with the highest number of points to his credit will be awarded the relevant Championship title.

Should a tie occur it is to be resolved in accordance with TSR23 (b)

13 **Protests.** Protests in this Championship must be submitted within 30 minutes of the announcement of results, provided the results are displayed within 30 minutes of the last rider finishing.

14 **Awards.** The organisers shall supply a minimum of one award to the first eligible finisher in each class in the event. The overall winner of the Series will receive a perpetual award which will be presented, together with an ACU medal, at the annual ACU Awards Presentation.

15 **Jurisdiction.** IN GRANTING A PERMIT TO “PROMOTE” THE COMMITTEE DOES NOT ABROGATE ITS OVERALL RESPONSIBILITY FOR THE CHAMPIONSHIP SERIES AND MAY IN ITS ABSOLUTE DISCRETION, WITHHOLD POINTS FOR ALL OR PART OF A “ROUND” INTRODUCING A REPLACEMENT EVENT AT A LATER DATE IF SEEN FIT.

The ACU Sammy Miller Products Trial Championship

These Championship Regulations to apply in addition to the National Sporting Code Standing Regulations for Trials and the Supplementary Regulations for each event.

Championship points will be awarded to competitors of any Nationality. The title “ACU Sammy Miller Products Trials Champion” will be awarded to the competitor with the most points who holds British Citizenship. If the competitor with the most points is not a British Citizen they will be awarded the title “ACU Open Sammy Miller Products Trials Champion”. This principle will apply throughout the Championship classes.

- 1 **Title of Event.** All Supplementary Regulations and Programmes must include the words “A Round of The Sammy Miller Products British Trials Bike Championship”.
- 2 **Qualifying Meetings.** The list of events may be found in the current ACU Fixture List.
- 3 **Eligibility:** Open to all riders of machines in the following classes
 CLASS 1 – Pre-Unit Rigid – Pre 65
 CLASS 2 British Pre 70 Pre-Unit /Unit/2Stroke (Twinstocks)
 CLASS 3 – Machines with twinshock rear suspension and drum brakes as at the time of manufacture which are not eligible for class 2
 CLASS 4 – Sidecar machines eligible for classes 1,2 and 3
All the above to be run on the EASY route
 CLASS 5 – British Pre 70 Pre-Unit/Unit /2 Stroke (Twinstocks)
 CLASS 6 – Machines with twinshock rear suspension and drum brakes as at the time of manufacture which are not eligible for class 5
The above classes to be run on the HARD route.
 Classes 1, 2 & 5 must have British Engine, Carburettor, Forks (Max 35mm) and hubs, Original or Replica Frame.
- 4 **Course.** The course should be between 30 and 50 miles in length and include 25 to 35 subsections suited to the type of machine and rider entered. It is recommended that steep drops and tight turns are avoided. Alternative easier route sections should be used for classes 1, 2, 3 & 4. Suitable off-road events of a shorter length may be allowed at the discretion of the Trials and Enduro Committee.
- 5 **Method of Marking.** As per TSR22B Non-Stop.
- 6 **Championship Points.** Championship points will be awarded to the top 15 eligible finishers in each class at each round on the following scale:

1st 20 points	6th 10 points	11th 5 points
2nd 17 points	7th 9 points	12th 4 points
3rd 15 points	8th 8 points	13th 3 points
4th 13 points	9th 7 points	14th 2 points
5th 11 points	10th 6 points	15th 1 point

 Should a Tie occur it is to be resolved in accordance with TSR23 (a)
7. **Final Assessment.** At the conclusion of the Series, the points for each rider’s results from all rounds held less one will be added together and the rider with the highest number of points to his credit will be awarded the relevant Championship title.
 Should a tie occur it is to be resolved in accordance with TSR23 (b)
- 8 **Special Award.** At the end of the series a special Sammy Miller Trophy will be awarded for the rider with the best overall performance, who loses the least amount of marks, and has competed in all rounds on the top course on a British Bike.

- 9 **Protests.** Protests in this Championship must be submitted within 30 minutes of the announcement of results, provided the results are displayed within 30 minutes of the last rider finishing.
- 10 **Jurisdiction.** IN GRANTING A PERMIT TO “PROMOTE” THE COMMITTEE DOES NOT ABROGATE ITS OVERALL RESPONSIBILITY FOR THE CHAMPIONSHIP SERIES AND MAY IN ITS ABSOLUTE DISCRETION, WITHHOLD POINTS FOR ALL OR PART OF A “ROUND” INTRODUCING A REPLACEMENT EVENT AT A LATER DATE IF SEEN FIT.

Luscombe Suzuki Leeds British ACU Solo Youth Trials Championship

These Championship Regulations to apply in addition to the National Sporting Code, Standing Regulations for Trials and the Supplementary Regulations for each event.

Championship points will be awarded to competitors of any Nationality. The title “Luscombe Suzuki Leeds “British/ACU Solo Youth Trials Champion” will be awarded to the competitor with the most points who holds British Citizenship. If the competitor with the most points is not a British Citizen they will be awarded the title “Luscombe Suzuki Leeds British/ACU Open Solo Youth Trials Champion”. This principle will apply throughout the Championship classes.

2 **Series Sponsor.** Where there is a Series Sponsor who provides bibs/riding numbers, these must be used by the rider without alteration or the obscuring of Sponsors’ logo.

3 **Eligibility.** Open to all youth riders as defined under TSR1.

4 **Classes.** See TSR 1.

5 **Routes**

A&B Championships

Route A – Class A

Route B – Class B

Any riders who wish to ride in a lower class than their age may do so on a no points basis.

Route A – Standard wheel – C Class

Route B –Medium wheel –C&D Class

Route C – Small wheel – D Class

6 **Starting Order.** The riders will have their starting order determined by ballot.

7 **Starting Intervals.** A&B riders will start at one minute 30 second intervals. C&D riders will start at one minute intervals

8 **Championship Points.** Championship points will be awarded to the top 15 eligible finishers in each class at each round on the following scale: – A rider can only gain Championship points from one class in one year.

1st 20 points	6th 10 points	11th 5 points
---------------	---------------	---------------

2nd 17 points	7th 9 points	12th 4 points
---------------	--------------	---------------

3rd 15 points	8th 8 points	13th 3 points
---------------	--------------	---------------

4th 13 points	9th 7 points	14th 2 points
---------------	--------------	---------------

5th 11 points	10th 6 points	15th 1 point
---------------	---------------	--------------

Should a Tie occur it is to be resolved in accordance with TSR23 (a)

9 **Protests.** Protests in this Championship must be submitted within 30 minutes of the announcement of results, provided the results are displayed within 30 minutes of the last rider finishing.

10 **Final Assessment.** At the conclusion of the series, the points for each rider’s performance from all rounds held less one will be added together and the rider with the highest number of points to his credit will be the winner.

Should a tie occur it is to be resolved in accordance with TSR23 (b)

11 **Observed Sections.** Each observed section or subsection must be attempted in the order in which they are numbered, except where a class is instructed to start other than at Section 1, they must still attempt the sections consecutively. The sections should be of natural terrain, i.e. no man-made hazards and consecutively numbered.

12 **Method of Marking.** As per TSR22A. with timed sections for the A&B class

13 **Assistants.** At the discretion of the organisers, each rider may register one assistant to

accompany them on the course and carry tools, provided he is not riding a machine. The assistant must be a minimum age of 18 yrs. The rider and the assistant must sign a declaration that the rider is responsible for all the actions of the assistant. The assistant will only be allowed into the boundaries of a section if their rider is in that section and if specifically invited by an official. The assistant must wear identification supplied by the organiser. In the case of an injury, a substitute assistant may be registered.

14 **ASSISTANCE ON THE COURSE** The rider may receive assistance to repair their machine anywhere on the course. The rider's machine must travel the whole distance of the course under its own power or the exertion of the rider.

15 **Course.** The number of laps and approximate length of lap must be stated in the Supplementary Regulations.

16 **Condition.** Sponsors: Bibs if supplied by a Championship Sponsor must be worn by the Competitors throughout the event. Programme covers if supplied by a Championship Sponsor must be used for official programmes.

17 **Jurisdiction.** IN GRANTING A PERMIT TO 'PROMOTE' THE COMMITTEE DOES NOT ABROGATE ITS OVERALL RESPONSIBILITY FOR THE CHAMPIONSHIP SERIES AND MAY IN ITS ABSOLUTE DISCRETION, WITHHOLD POINTS FOR ALL OR PART OF A 'ROUND' INTRODUCING A REPLACEMENT EVENT AT A LATER DATE IF SEEN FIT.

British Womens & Girls Trials Championships

These Championship Regulations to apply in addition to the National Sporting Code, Standing Regulations for Trials and the Supplementary Regulations for each event.

Championship points will be awarded to competitors of any Nationality. The title “British Womens/ Girls Trials Champion” will be awarded to the competitor with the most points who holds British Citizenship. If the competitor with the most points is not a British Citizen they will be awarded the title “British Womens/Girls Open Trials Champion”. This principle will apply throughout the Championship classes.

- 1 **Title of Event.** All Supplementary Regulations and Programmes must include the words – “incorporating the British Womens & Girls Trials Championships”.
- 2 **Series Sponsor.** Where there is a Series Sponsor and the Organiser provides bibs/riding numbers, these must be used by the rider without alteration or the obscuring of Sponsors’ logo.
- 3 **Eligibility.** All riders in the Championship classes must be of the female gender. Classes for girls are as defined under youth riders in TSR1.
- 4 **Classes**
 Womens Championship
 Girls A Championship
 Womens Intermediate Championship
 Girls A Intermediate Championship
 Girls B Championship
 Girls C Championship
 Womens Sportsperson (Non Championship)
 Youth Sportsperson (Non Championship)
 At the end of the Series an award will be presented to winners of each of the above Championship Classes.
 An additional supplementary class of either Novices, Twinshocks, Pre-65, Sidecar, or Youth, open to competitors of either sex, may be included. This additional class to be limited to a maximum of 25 riders.
- 5 **Starting.** Starting intervals shall be at intervals of 1 minute.
- 6 **Time Allowed.** There will be an overall individual time allowance for the Trial. The Final Time Control must be located immediately after the final section. The rider is obliged to go directly from the Final Control to the Results Recorder. Any rider who delays the publication of a result will be reported to the Stewards of the Meeting for disciplinary action.
- 7 **Method of Marking.** The Championship will be held under TSR22A.
- 8 **Course.** The course will be entirely on private land and will consist of a minimum of ten sections. There will be 3 routes as follows:
 Route 1 – Womens Championship Class and Girls A Championship Class.
 Route 2 – Womens Intermediate Championship Class, and Girls A Intermediate Championship and Girls B Championship Class.
 Route 3 – Girls C Championship Class and Womens and Girls Sportsperson.
 All routes to be clearly distinguished with appropriate marking.
- 9 **Assistants.** At the discretion of the organisers, each rider may register one assistant to accompany them on the course and carry tools, provided he is not riding a machine. The assistant must be a minimum age of 18 years. The rider and the assistant must sign

a declaration that the rider is responsible for all the actions of the assistant. The assistant will only be allowed into the boundaries of a section if their rider is in that section and if specifically invited by an official. The Assistant must wear identification supplied by the organiser. In the case of an injury, a substitute assistant may be registered. The rider may receive assistance to repair their machine anywhere on the course. The rider's machine must travel the whole distance of the course under its own power or the exertion of the rider.

- 10 **Championship Points.** Championship points will be awarded to the top 15 eligible riders in each Championship Class at each event on the following scale for each class:

1st 20 points	6th 10 points	11th 5 points
2nd 17 points	7th 9 points	12th 4 points
3rd 15 points	8th 8 points	13th 3 points
4th 13 points	9th 7 points	14th 2 points
5th 11 points	10th 6 points	15th 1 point

Should a Tie occur it is to be resolved in accordance with TSR23 (a)

- 11 **Protests.** Protests in this Championship must be submitted within 30 minutes of the announcement of results provided the results are displayed within 30 minutes of the last rider finishing.
- 12 **Final Assessment.** At the conclusion of the series, the points for each rider's performance from all rounds held less one will be added together and the rider with the highest number of points to his credit will be awarded the relevant Championship title.
Should a tie occur it is to be resolved in accordance with TSR23 (b)
- 13 **Jurisdiction.** IN GRANTING A PERMIT TO 'PROMOTE' THE COMMITTEE DOES NOT ABROGATE ITS OVERALL RESPONSIBILITY FOR THE CHAMPIONSHIP SERIES AND MAY IN ITS ABSOLUTE DISCRETION, WITHHOLD POINTS FOR ALL OR PART OF A 'ROUND' INTRODUCING A REPLACEMENT EVENT AT A LATER DATE IF SEEN FIT.

The ACU Trail Bike Championship

These Championship Regulations to apply in addition to the National Sporting Code, Standing Regulations for Trials and the Supplementary Regulations for each event.

Championship points will be awarded to competitors of any Nationality. The title “ACU Trail Bike Champion” will be awarded to the competitor with the most points who holds British Citizenship. If the competitor with the most number of points is not a British Citizen they will be awarded the title “ACU Open Trail Bike Champion”. This principle will apply throughout the Championship classes.

- 1 **Title Of Event.** All Supplementary Regulations and programmes must include the words “ A round of the ACU Trail Bike Championship” and the name of any official series sponsor.
- 2 **Qualifying Meetings.** The list of events may be found in the current ACU Fixture List.
- 3 **Eligibility.** Open to machines that were classified by the Manufacturer as Trail Bikes with working lights, pillion seats and fitted with Trials Spec Tyres as per TSR8. Converted Trial Bikes will be excluded from this Class. The organiser, in conjunction with the Trials & Enduro Committee, reserves the right to place machines regarded as ineligible in the appropriate Class, and the rider will therefore not qualify for Championship points. A list of ineligible machines will be held at the ACU.
- 4 **Course.** It is recommended that the course should be between 25 and 75 miles in length and include 25 to 40 sub-sections suited to the type of machine and rider entered. It is recommended that tight turns and steep drops be avoided. Organisers have the option to offer a dual route on a maximum of 6 sections. The harder route would cater for the Championship Class and the easier route for all other classes, with the dual routes being clearly marked. A rider shall be given the opportunity to inspect a section before riding it.
- 5 **Method of Marking.** As per TSR22 B Non Stop.
- 6 **Championship Points.** Championship points will be awarded to the top 15 eligible finishers at each round on the following scale:

1st 20 points	6th 10 points	11th 5 points
2nd 17 points	7th 9 points	12th 4 points
3rd 15 points	8th 8 points	13th 3 points
4th 13 points	9th 7 points	14th 2 points
5th 11 points	10th 6 points	15th 1 point

Should a Tie occur it is to be resolved in accordance with TSR23 (a)
- 7 **Final Assessment.** At the conclusion of the Series, the points for each rider’s results from all rounds held less one, will be added together and the rider with the highest number of points to his credit will be awarded the relevant Championship title.
Should a tie occur it is to be resolved in accordance with TSR23(b)
- 8 **Protests.** In this Championship must be submitted within 30 minutes of the announcement of results provided the results are
- 9 **Awards.** The organisers shall supply a minimum of one award to the first eligible finisher in each class in the event. The overall winner of the Series will receive a perpetual award, which will be presented, together with an ACU medal, at the annual ACU Awards Presentation.
- 10 **Jurisdiction.** IN GRANTING A PERMIT TO “PROMOTE” THE COMMITTEE DOES NOT ABROGATE IT’S OVERALL RESPONSIBILITY FOR THE CHAMPIONSHIP SERIES AND MAY, AT ITS ABSOLUTE DISCRETION, WITHHOLD POINTS FOR ALL OR PART OF A “ROUND” INTRODUCING A REPLACEMENT EVENT AT A LATER DATE IF SEEN FIT.

TRIALS – MACHINE EXAMINERS CHECK LIST

GENERAL TRIALS

Machines should be in general good condition with no obvious parts missing or not working. Should be adequately silenced and the following checked:

- Brake and Clutch levers should have ball ended levers
- Folding Footrests
- Self closing throttle
- Have trials tyres
- Have a helmet and suitable boots

For **youth competitors** the additional items should be checked:

- Cut out button
- Correct engine size for age of rider
- Have gloves

And **sidecars** should have:

- A nose cone
- Seat for the passenger
- Passenger has helmet and suitable boots

For entries into special ACU championships the following should be checked:

TRADITIONAL CHAMPIONSHIP

Class A – All major components including frame, forks, hubs, engines and gear boxes to be a silhouette of the original British manufactured parts, which were available before the date of eligibility for the class concerned.

Class B – Have two rear shocks (as at time of manufacture) and drum brakes

Class C – Have one rear shock and air cooled engine

SAMMY MILLER CHAMPIONSHIP

Classes 1, 2, 5, – Major parts should be a silhouette of original British manufactured parts available prior to the date of eligibility for the class concerned.

Classes 3 & 6 – Must have Twinshock rear suspension as fitted at the time of manufacture and be fitted with drum brakes.

TRAIL BIKE CHAMPIONSHIP

Machines must be classified by manufacturer as a Trail Bike, have working lights and a pillion seat. (A list of Non Eligible bikes is available from the ACU).

TRIALS OFFICIALS

QUALIFICATIONS AND CONDITIONS

Officials are divided into two categories: Those that are Licensed and those that are Registered. No Fees are payable in respect of any Licences or Registration or for the appropriate form of identification issued.

LICENCES: Senior Officials are required to hold an ACU Licence of the appropriate Grade for the performance of their duties.

	See Note Below	Licence Required	Attendance at Seminar/ Training Session
Clerk of the Course	1	YES	3 YEARS Every Third Year maximum
Chief Steward	2	YES	3 YEARS Every Third Year maximum
Secretary of the Meeting	2	No	Will receive Training at meetings and if required at Regional or ACU HQ Seminars
Club Stewards		No	May attend Regional or ACU HQ Seminars

Clubs and Centres shall only nominate candidates whose aptitude and integrity for the position they can fully justify. Official ACU approval and the issue of a Licence is only after the candidates have proved to be competent according to the special requirements for each discipline. The respective Committees and Panels organise Seminars that are compulsory for certain Officials. A Licence is valid for 3 years.

Note 1

Clerk of the Course

GRADES

Regional must attend a seminar organised by a Centre/Region.

National must attend a National seminar organised by the Trials & Enduro Committee and must also comply with specific criteria.

Note 2

Steward

GRADES

Regional will be appointed by the Centre as the Permit issuing authority as required.

National will be appointed by the Trials & Enduro Committee as the Permit issuing authority and must also comply with specific criteria.

LICENCE FEES All licences will be issued, free of charge, for a period of three years.

Arena Trials

The National Sporting Code of the ACU and these Standing Regulations shall apply to all Arena Trials together with the Supplementary Regulations and any Final instructions issued for individual events.

1 GENERAL

- 1.1 **Description.** An Arena Trial is a test of riding skill and balance over a variety of observed obstacles with riders incurring penalties for footing or for failing to fulfil other conditions. The obstacles (Sections) are usually man made, specifically for the event which is held within an arena or stadium. The Standing Regulations for Trials (TSR's) as printed in this Handbook shall be applicable with the following amendments.
- TSR3** Entries shall be by the invitation of the organising Club.
- TSR20** The order in which the Sections shall be attempted must be explained to the riders at the briefing meeting.
- TSR21** Any obstacle which is more than 1000mm from the ground and has a width of less than 500mm shall have a firm support below and along the full length of the said obstacle. The "Start" and "End" of each Section shall be clearly marked and the lateral limits clearly explained at the briefing meeting.
- TSR22** The method of marking shall be to TSR22A
- TSR28** Prior to the start of the above event the Clerk of the Course must hold a briefing meeting which must be attended by all riders, the Referee and the Observer(s). The Clerk of the Course must inform the riders of the lateral limits of each Section, the order that they will be attempted in and any other information for the smooth running of the event.
- TSR33** A person holding a certificate of First Aid competency must be present throughout the duration of the event. The organiser shall be conversant with the nearest Accident/Emergency services and have the means of contacting them.
- TSR41** It is not permitted to hold an Arena Trials on a Time and Observation basis.

Additionally the following apply

- 1 **Referee.** A Referee shall be appointed by the body issuing the permit who must carry out a course inspection prior to the start. The Referee shall replace the Stewards of the Meeting and have the same powers and obligations.
- Duties of the Referee**
- He shall be in attendance throughout the meeting and for such further period of time as be necessary for him to complete his duties arising therefrom.
 - He shall have the duty of enforcing these Regulations.
 - He shall prohibit from competing a rider whom, or a motorcycle which, he considers might be a source of danger.
 - He shall immediately deal with any appeal that may properly be delivered to him during a meeting.
- 2 **Permit.** A permit may be issued by a Local Centre for events of up to Centre Restricted, which must comply with the following restrictions;
- The event is not televised other than for local promotional reasons where the transmission must not exceed 5 minutes.
 - No Audience participation.
 - No involvement of "Fire" in the display,
 - No free-style jumping or jumping competition.
 - Only controlled riding over obstacles NOT jumping over vehicles or people.
 - Estimated audience not to exceed 1,000.

g) Any “Contractual Terms” must exclude any liability upon the organiser for slipping or tripping in public areas or in Grandstands or in Car Parks.

In all other cases the Permit must be issued by the ACU Office.

- 3 **Spectator safety.** Where no wooden paling or interlinked metal public fence is provided double roping must be erected. The inner rope must be a minimum of 7m from the obstacles and the outer rope must be a distance of 4m from the inner rope.

ATV Trials

The ACU Standing Regulations for Trials shall apply to all events catering for Quads and/or Trikes with the following Regulations amended as shown.

- 8 **MACHINES.** Machines must apply to Appendix B of the National Sporting Code. Prior to the start of each Trial all machines will be examined to ensure that they comply with ACU Specifications.
The Supplementary Regulations for each event shall indicate the Categories and Groups of machines eligible. Soundly constructed mudguards must be fitted to prevent the rider’s foot being caught under a wheel.
- 9 **TYRES.** Any production tyres may be used. The treads of the tyre must not be cut or altered in any way. The fitting of chains or other non-skid attachments is prohibited.
- 21 **OBSERVED SECTIONS.** The lateral limits of an Observed Section may be defined by artificial boundaries such as markers or tapes, which shall be firmly placed and positioned in a way so as to clearly define the intended limits of the section. If markers are to be used they shall be of different colours for left and right. If tapes are to be used they shall be of height at least 300mm from the ground. The Start and Finish of each Observed Section will be clearly defined, with the Section Begins and Section Ends identified as such. Sections shall be numbered or lettered and ridden in the correct sequence. Numbered boards will be placed at intervals along sections to enable each driver’s performance to be determined (numbered from 4–1).
- 22 **METHOD OF MARKING.** A machine will be deemed to be in an Observed Section when the front wheel spindle(s) has passed the “Section Begins” card and until the front spindle(s) has passed the “Section Ends” card.
Marks will be lost in a decreasing manner from 5 to 0 depending on the distance a rider can traverse the section without loss of marks. The front wheel spindle(s) is the part of the machine to be used for assessing the distance traversed.
- 0 Clean
- 1 Reaching or passing the “1 Board” without loss of marks.
 - 2 Reaching or passing the “2 Board” without loss of marks.
 - 3 Reaching or passing the “3 Board” without loss of marks.
 - 4 Reaching or passing the “4 Board” without loss of marks.
 - 5 Failure to reach the “4 Board”.
 - 10 Not attempting a section when called upon to do so by an Official (in addition to any marks subsequently lost in that section).

DEFINITIONS

Clean A rider traversing an Observed Section without loss of marks as described below.

Loss of Marks The number of marks lost will be defined by the distance traversed when any of the following occur:

- a) The machine ceases to move in a forward direction.
- b) The rider dismounts from the machine.

- c) The rider foots i.e. if any part of his body touches the ground, or benefit is gained from any part of his body leaning on an obstacle (tree, wall etc.).
- d) A machine does not stay within the intended limits of the section and within each marker.
- e) If any wheel of the machine crosses any boundary tape or marker whether the wheel be on the ground or airborne before the front wheel spindle(s) passes the "Section Ends" sign.
- f) The rider is held responsible for breaking and/or removing a marker or support in an observed section before the front wheel spindle(s) passes the "Section Ends" sign.
- g) Travelling in a forward direction against the direction of the section.
- h) The machine or rider receives outside assistance.
- i) The engine of the machine ceases to operate.

Bicycle Trials

The National Sporting Code of the ACU and these Standing Regulations shall apply to all events organised under the jurisdiction of the ACU with the Supplementary Regulations and any Final Instructions issued for individual events.

DEFINITION

Bicycle Trial is an individual sport that may incorporate the use of a special bike which the rider must manoeuvre and balance in order to ride through specially designed artificial or natural "sections". The objective is to pass through the sections in minimum time and with as little physical contact with the ground as possible, hence obtaining minimum penalty points.

1 ORGANISING PERMITS

For National events and above organised by a Centre Affiliated Club and all events organised by a Non-Territorial Club Permit Application forms are available from, and the completed form should be returned to the Trials & Enduro Secretary, ACU House, Wood Street, Rugby, Warwickshire CV21 2YX. For events of below National status you should contact your local Centre Permit Secretary as in the front of the Handbook.

The completed Permit application form shall be accompanied by the following:

- A copy of the Supplementary Regulations for the event
- Permit Fee, if decided applicable by the Permit Issuing Authority

2 OFFICIALS

The names of the Clerk of the Course and their licence number must be stated in the Supplementary Regulations, together with the names and address of the Secretary of the Meeting and the names of any Stewards. The ACU Trials and Enduro Committee reserves the right to appoint a Steward to any event should they deem it necessary.

3 ENTRIES

Entry forms accompanied by the entry fee must be complete in every detail, signed by the rider and in the case of riders under 18 years of age, the parent or guardian or responsible adult and forwarded to the Secretary of the Meeting by the stated closing date. The rider's current ACU Registration Number must be stated.

Riders under 18 years of age (Minors): In order to conform to the Children's Act legislation, additionally for every rider who is under 18 years of age, a parental agreement must be signed. This is incorporated in the annual Competition Licence and Trials Registration form and once completed will serve as the rider's Annual Parental Agreement. No further forms of proof of Parental Agreement are necessary. All minors will be bound by the directions of parents(s), guardian(s) or other appointed adult responsible for them at any event. (Please see licence application form for further details).

The point of contact for Child Protection issues will be the Secretary of the Meeting unless otherwise stated in the Supplementary Regulations.

4 MEDICAL SERVICES

It is recommended that a person holding a certificate of First Aid competency be present at all events. In addition it is recommended that the organiser shall be conversant with the nearest Accident/Emergency services and ensure that they have a means of contacting them. Organisers must also refer to the "Medical Services and Definition" section of this Handbook.

5 SECTIONS

- a) Each section must be clearly marked; with the section start and finish gates clear to allow queuing space and to avoid accidents.
- b) It is recommended where possible, that each section should be surrounded by strong boundary tape. The tape must be totally visible and well secured to stakes or other objects which must be fixed underground. The entirety of the tape must be fastened at a maximum height of 500mm. All broken tape must be replaced in the same position before another rider enters the section. Spare section marking tape should be provided at each section.
- c) The sections should be designed in a way that suits the different levels of ability in the different categories, with separate routes where necessary and which would not create any danger for both riders and spectators. The sections should differ substantially from each other and show variety. It is recommended that the same colour markers are used each side of the section to show the route, blue being the common route to be ridden unless there is a variation, white markers being used for an easier route, red for a harder route and yellow for a harder route in addition to the red route, for example, a yellow route rider will ride the blue route unless there is a red deviation or yellow deviation and the red route unless there is a yellow deviation.
- d) The Clerk of the Course should provide clear instructions of the locations of the sections for every rider before the competition.

6 CLERK OF THE COURSE

The Clerk of the Course will be in charge of all matters concerning the event; including organisation, structure, enrolment, start/arrival procedure, track, sections, results, observers etc. A Risk Assessment should be carried out for every event.

7 OBSERVER

An Observer is an assistant to the Clerk of the Course appointed to judge a competitors performance in an observed section. No protest or appeal can be accepted against the judgement of performance made by an Observer; however a protest may be accepted against any breach or misinterpretation of the Regulations. A mistake made by an Observer may be corrected by the Observer with the approval of the Clerk of the Course. The Observer will be provided with a 'count down' mechanism which will make an acoustic sound to signify the end time. Besides this, the Observer must advise the riders approximately one minute before the finishing time and at 30 seconds, 15 seconds, 5, 4, 3, 2, 1.

8 CATEGORIES & ROUTE/RIDER COLOURS

No rider may compete before his/her 6th birthday and riders who wish to compete in the 26inch wheel category should be 15 years old. Riders graded on ability and or age. Full details to be published in the Supplementary Regulations for each event.

9 BIKES

There should be separate classes for 20inch and 26inch wheeled machines. Bikes of any wheel sizes may be used at competitions at the discretion of the Organisers.

- a) Riders cannot change his/her bike during the event/competition
- b) Riders can change the broken parts except the frame of the bike.
- c) The end of the front and rear brake levers must not be finished in a dangerous form.
- d) The entirety of the bike must be provided with an effective brake system.
- e) Any overhanging metal of more than 10mm should be covered in order to avoid any dangerous situation.

Machine specifications may change according to the Supplementary Regulations, if machines need to be checked for eligibility this should be immediately before the start of the event.

10 SECTION PENALISATION

The method of penalisation must be clearly stated in the Supplementary Regulations.

11 TIME LIMIT

The finish time penalties will apply as soon as the rider exceeds his/her finishing time and 1 penalty point will apply for every 5 minutes over the individual's time limit. In the case of this exceeding 30 minutes, the rider will be disqualified.

12 BAULK

A baulk is deemed to have occurred when a rider, whilst attempting an observed section, is prevented from making a bona-fide attempt due to some outside obstruction. Should a rider claim a baulk, the Observer may at his/her discretion allow a rerun of the section. The Observer's decision as to whether a rerun is permitted is final. Should a rerun be granted, any marks lost prior to the point of the baulk on the original attempt shall stand and the section shall be observed from the point of the baulk.

13 ORGANISERS

The organiser must abide by these Standing Regulations and ensure that any Supplementary Regulations are issued to all riders.

14 PUNCH CARD

The card must be made of plastic or waterproof material labelled on the upper part of the card should be; the name of the rider, his/her number, the category and the colour group. On the lower part of the card should be space to write; the start time, finish time and overall time. The score will be indicated on the card by means of punching a hole in the position that corresponds with the number of penalty points. Where a mistake is made, all numbers should be punched out leaving only the correct score un-punched. Where a "10" has been given, all numbers should be punched including the section number. The reason should be noted on the reverse. The onus of looking after the penalisation card rests entirely with the rider. Any disagreement over the score punched, or errors, must be reported to the Secretary of the Meeting immediately upon completion of the event. The Observer must be informed that this action is being taken, as any errors not verified by the Observer shall not be accepted. Refusing to have the card punched, deliberately disfiguring the punch card will result in disqualification for which no protest will be accepted. In the case of a dispute between the Observer and the rider, the Observer will note it on the back of the penalisation card.

15 NUMBERS

The Organiser may provide "Numbers" for the riders and for their respective minders (one minder per rider, only the one minder may enter the section in a situation where the rider is in danger) the number size should be a maximum of 10 x 15cm for the bike as well as for the rider. Numbers should be placed at the head part of the bike so they are clearly displayed. The group colour should be clearly indicated.

16 THE RIDER

Riders are not allowed pre-competition practice inside the designated area of the course and sections. Any rider seen with his bicycle in any place (e.g. course and sections) within one week before the competition will be disqualified from the competition. Any attempt made to practice on the sections before the competition will result in the disqualification of the concerned rider from the event. On completion of the entry form, the rider is permitted to observe the sections on foot. The rider shall at all times behave in a sportsman-like manner throughout the event, refraining from any unfair action towards his fellow competitors, organiser or associates.

17 RIDER CLOTHING

If the rider does not abide with these attire regulations, he/she will be refused entry into the competition or sections. The rider must wear: when riding, the following; helmet, pants shirt and shoes. One-piece ankle protective footwear is recommended, but not compulsory. It is also recommended that shin guards, gloves, full length pants and shirts with long sleeves are worn. Advertisements on the rider's attire, helmet and bike are allowed. The advertising space on the numbers or bibs is reserved for the organisers. The rider cannot ride the event without the original bib (where provided) given from the organiser.

18 KNOWLEDGE OF THE RULES

The riders, upon applying for entry for competition must possess a thorough knowledge of these Rules and any Supplementary Regulations that may apply.

19 COMPETITION RESULTS

The placings will be determined by the total penalty points. The rider with the lowest points will be the winner of the competition, and so on. In the case of ties, the placing will be determined by the order as follows:

- a) The rider with more 0 points (clean)
- b) The rider with more 1 points
- c) The rider with more 2 points
- d) The rider with more 3 points
- e) The rider who completed the course in shorter time

20 PROTESTS

Only protests in writing will be accepted and attended to by the Organisers. Each Protest shall be from an individual rider and refer to a single subject. Each protest must be accompanied by a pre-determined payment of £50.00. Protests can only be addressed to the Clerk of the Course and no later than 30 minutes after the declaration of the results, provided the results are displayed within 30 minutes of the last rider finishing. If the Organisers fail to issue the results within this time frame, then the time limit for protests will be 14 days from their official publication.

21 CHAMPIONSHIP EVENTS

At each Championship event, the number of Championship points to be awarded to the top 15 in each category is as follows:

Place	Point	Place	Points	Place	Points
1st	20	6th	10	11th	5
2nd	17	7th	9	12th	4
3rd	15	8th	8	13th	3
4th	13	9th	7	14th	2
5th	11	10th	6	15th	1

The placing will be determined by the total Championship points at all events in that Championship.

The rider with the most points will be the Champion, and so on. In the case of ties, the placings will be determined by the order as follows:

- a) The rider with the most Championship points
- b) The rider with more 1st places, 2nd places, 3rd places, etc.
- c) The rider with the best result in the last competition in the case of a tie still existing.

22 AWARDS

Awards will be provided according to an event's Supplementary Regulations.

23 INSTRUCTIONS TO RIDERS

Any instruction to riders subsequently issued shall be in writing; either distributed individually for each rider or via a clearly situated notice board. Any instructions so issued shall have the same force as these Standing Regulations and the Supplementary Regulations.

24 RESPONSIBILITIES

Any problem or concern which arises regarding the rider or the third party is not the responsibility of the organiser, and the organiser can reject any claims of responsibility which may be laid upon him/her.

25 PREJUDICIAL ACTION

Any person having an interest in a rider's performance, who takes any action prejudicial to the sport, may result in the disqualification of that rider. Riders, parents or associates failing to obey the instructions given by officials of a meeting or deemed to have unjustifiably or maliciously jeopardised the efficient running of the meeting by not adhering to the Regulations, Supplementary Regulations or the Protest or appeal procedure, may render the rider liable for disqualification and/or being reported to the permit issuing authority for further action.

26 OFFENSIVE BEHAVIOUR

Any rider or party with an interest in a rider's performance, reported to the Clerk of the Course for arguing or being offensive to an Observer, or other Official, renders that rider eligible for disciplinary action. Where the organiser issues the Observer with a Red Card, any rider who is shown the "Red Card" by an Observer could be subjected to disqualification by the Clerk of the Course.

27 COMPLIANCE WITH REGULATIONS

Every rider by entering or being nominated thereby acknowledges that he is bound by the National Sporting Code of the ACU and these Standing Regulations and Final Instructions to be hereafter issued; to all of which he/she undertakes to submit and moreover renounces any right to have recourse to any arbitration or tribunal not provided for in the said Rules and Regulations.

28 INTERPRETATION

The interpretation of these Standing Regulations and the Supplementary Regulations or Instructions to rider will rest entirely with the Stewards of the Meeting whose decision shall be final and binding except as provided in the National Sporting Code.

29 ABANDONMENT

The organisers reserve the right, subject to the approval of the Stewards of the Meeting, to cancel, postpone or abandon the competition if circumstances should arise, which in their opinion render such action necessary.

30 POWER WASHERS

It is prohibited to use power washers, unless the organisers offer suitable facilities which comply with the ACU Environmental Code.

BIKETRIAL OBSERVING RULES

The time limit to complete a section is 2 minutes

No:		Point(s):
1	Not completing section within time limit	5
2	Performing a clean section	0
3	1 dab	1
4	2 alternate dabs	2
5	2 dabs at the same time	5
6	3 and 4 alternate dabs	3
7	5 or more dabs	5
8	Leaning the handlebar on any part of the section, e.g. the ground, tree or wall etc	1
9	Leaning one's hand on any part of the section, e.g. the ground, tree, wall etc	5
10	Leaning any part of the body on the ground, except feet	5
11	Re-crossing the start line and contacting outside with any part of bike after the front axle of bike has crossed the start line of the section (refer to Fig 1)	5
12	Overpassing the ribbon and contacting outside of the section with the tyre	5
13	One wheel flying over the ribbon without contacting the ground (refer to Fig 2)	0
14	Two wheels flying over the ribbon (refer to Fig 3)	5
15	Passing or treading on the ribbon with bike	0
16	Under passing the vertical line of the ribbon with the wheel axle (refer to Fig 4)	5
17	Both the front and rear wheel axles must pass between the colour signs, the ribbon and the stakes	5
18	If the front axle of the rider's bike crosses between colour sign which does not belong to the category of his own (refer to Fig 5)	5
19	Breaking a ribbon, pulling up or knocking down a stake	5
20	Knocking down colour signs	0
21	Touching any part of bike with hand except handlebar whilst dabbing	5
22	One dab on the ground and the other foot crossing the centre line of the bike frame	5
23	One foot on the pedal and the other foot crossing the centre line of the bike frame (refer to Fig 6)	0
24	One foot on the pedal and the crossing foot touching on any part of the section e.g. the ground, tree etc. (refer to Fig 6)	5
25	After one dab, sliding the foot on the ground (pivoting on the toes without gaining distance is allowed)	3
26	The sections cannot be modified by either the riders or any other person	10
27	Leaning with only the toes or heels on any surface (resting or touching the pedal is allowed)	1
28	Regarding objections or complaints, the Observer is only obliged to listen to the riders. Any penalisation will be set through the Clerk of the Course	10
29	Any use of bad language directed at the Observer or other event officials, the penalisation will be set through the Clerk of the Course	0-50
30	Losing the penalisation card: the penalisation card is the only official medium to record the score in each section	10
31	The rider cannot receive any help from his relatives or friends such as giving them the penalisation card, asking them to carry the bike by foot or car, or observing section while their bike is queuing. (The riders riding the blue, blue with white and white colour routes will be allowed to receive the above mentioned help)	10-50

32	No person (spectator, relative) is allowed inside the section. Regarding the duties of the minder refer to “Limitations of the minder” (Item to be noted). The penalisation must be set through the Clerk of the Course	10
33	Taking a short-cut	10
34	Skipping a section. (The rider must perform the sections in numerical order)	10

Items to be noted:

- 35 Touching will be allowed, leaning will not. The bike can touch any part of the section (except the handlebar).
- 36 Going outside the boundary of the section with the bike in any manner is not allowed.
- 37 The parts which determine the bike limits are as follows:
- a) Frontal: Front wheel axle
 - b) Posterior: Rear wheel axle
 - c) Contact: Between tyre and the ground
- 38 The axle of the front wheel indicates the entry and the exit of a section.
- 39 The Observer will indicate the score to the riders by hand signals.
- 40 The rider must be equipped with the regulation clothing (long pants, helmet), otherwise the Observer will not allow him/her to enter the section (refer to Rider Clothing).

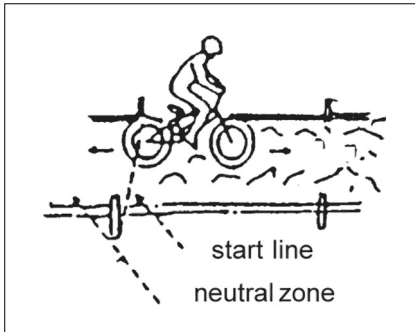


Fig 1

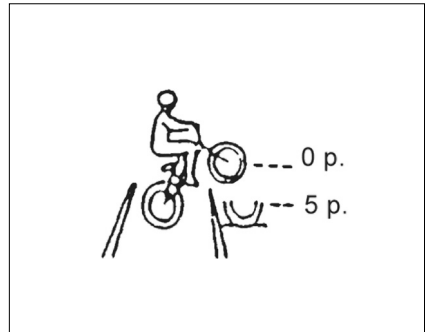


Fig 2

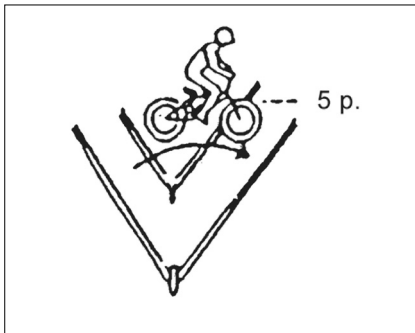


Fig 3

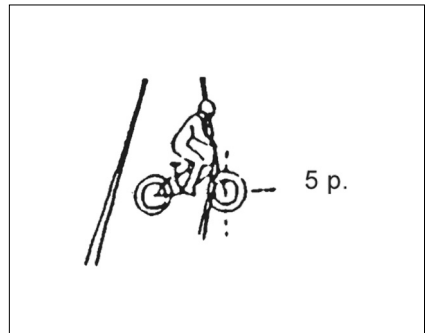


Fig 4

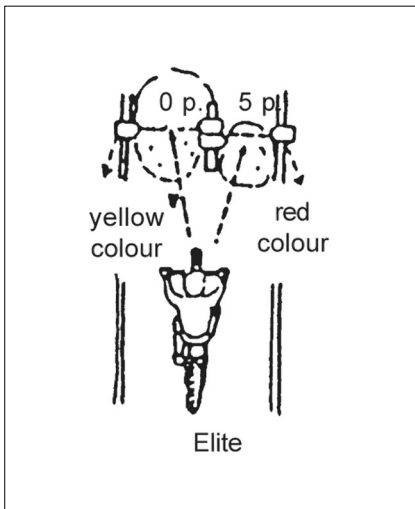


Fig 5

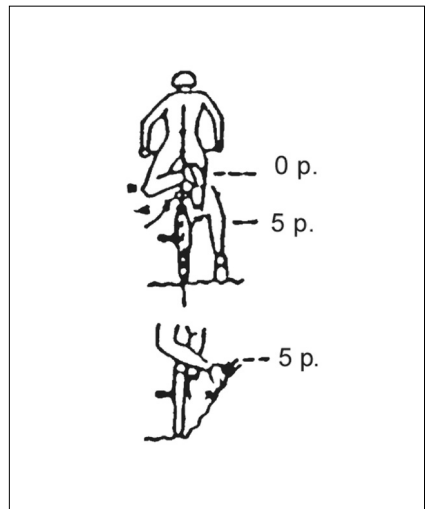


Fig 6

Grasstrack

SECTION 1 GENERAL	235
SECTION 2 PROCEDURES	237
SECTION 3 RIDERS	240
SECTION 4 TECHNICAL	242
SECTION 5 SAND /BEACH RACING	250
SECTION 6 SHORT TRACK	250
SECTION 7 SHORT TRACK TECHNICAL REGULATIONS	251
SECTION 8 YOUTH COMPETITOR REGULATIONS	251
SECTION 9 GRASS TRACK EVENTS HELD ON SPEEDWAY CIRCUITS	254
SECTION 10 TRACK RACING OFFICIALS	255

The Sporting Code and the Standing Regulations of the ACU together with the Supplementary Regulations will apply to all Grass Track Races.

SECTION 1 GENERAL

1.1 COMPLIANCE WITH REGULATIONS

Every rider (and parent/guardian for youth) entering or being entered acknowledges that he/she is bound by the ACU Sporting Code. These Grass Track Regulations, together with any Supplementary Regulations and Final Instructions thereafter issued to all of which undertake to submit and moreover, renounce the right to have recourse to any arbitration or tribunal not provided for in the rules.

1.2 ELIGIBILITY

For National Competitions, Entrants, Drivers and Passengers must hold a current Competition Licence for International or National Events issued by the ACU, or the Scottish ACU. Organisers may allow licence holders from FMN's within FIM Europe to participate. Start permission from the relevant FMN must be submitted to the organiser and any additional third party insurance must be obtained. For all competitions of below National Status, a current Competition Licence of the appropriate grade is required. Details of eligibility will be found in the Supplementary Regulations of the event. Applicants for Youth Licences please refer to the Youth Licence Regulations within this Handbook. The minimum age for an adult competitor is 16 years, but applications will be considered by the Track Racing Committee (TRC) for 15 year olds to ride in the 250cc & 350cc classes. Any competitor over 70 years of age must have a medical examination.

1.3 NON-STARTERS/RESERVES/SUBSTITUTES

The place of any non-starter shall be taken by a RESERVE driver whose entry has been accepted, and in the order of priority as listed in the Official Programme of the Competition. A SUBSTITUTE driver may be nominated only by the ENTRANT being the holder of an Entrant's International or National Competition Licence. Where a rider is his own Entrant, no substitution will be permitted (see Sporting Code). A change of passenger during a meeting is permitted if authorised by the Clerk of the Course.

1.4 ALTERATIONS TO PROGRAMME

In the event of a race being cancelled due to insufficient entries, the organisers reserve the right to offer the race time and prizes for a race of similar length, for machines of another class or category.

1.5 ABANDONMENT

The organisers reserve the right, subject to the approval of the Stewards of the Meeting, to cancel, postpone or abandon any event, or the competition itself, if circumstances should arise which in their opinion, renders such action necessary.

1.6 BRITISH INDIVIDUAL GRASS TRACK CHAMPIONSHIPS

It is a condition of the issue of a National Competition Licence that the competitors will not be granted authority to compete at home or overseas at any event which clashes with the Qualifying rounds or the Final of an Individual Championship for which they have qualified or may be nominated for.

Competitors should also note the requirements for International Selection through the appropriate Individual Championship.

After a written request to the TRC, permission may be given for a rider to compete at a UEM or FIM Championship event which conflicts with the date of an Individual Championship event within the UK.

1.7 ADULT GRASS TRACK RECORDINGS

Events which points may be allocated are Restricted, Open, National, European Open and International.

Points are allocated on the results of the first final for each class at each event. Should the race be run on, for example, a three leg basis, the points should then be given on the overall results. If in doubt, a good guide is to use the published result and/or result on which the awards are presented. Points may only be allocated for one event in each capacity class at each meeting i.e. one 250cc final, one 350cc final, one 500cc final and one Final of each sidocar classes. Riders may be allocated points in each of the capacity classes in which they compete. Unlimited capacity classes do not carry any grading points. Points allocation for classes as follows:

Events below National Status		National and Home International events			
1st	6 points	1st	12 points	6th	6 points
2nd	5 points	2nd	10 points	7th	5 points
3rd	4 points	3rd	9 points	8th	4 points
4th	3 points	4th	8 points	9th	3 points
5th	2 points	5th	7 points	10th	2 points
6th	1 point				

Should any event cater for less than 10 finalists the winner of the event is allocated the maximum number of points i.e. 12 points, the other finishers 10, 9, 8 and so on.

1.8 GRASS TRACK RECORDERS

National Co-ordinator Mrs. T. Cossar, ACU House, Wood Street, Rugby, Warwickshire CV21 2YX.
Tel: 01788 566400

Cornwall Centre Miss. J. Osborne, Prideaux Cottage, High Street, St Austell, Cornwall PL26 7TE.
Tel: 01726 72098 email: jacquiosborne42@hotmail.com

Eastern Centre Mr. J. Sayer, Hylands, Dunmow Road, Thaxted, Essex CM6 2NX. Tel: 01371 870123

East Midlands Centre Mr. R. W. Smith, 59 Green Avenue, Chellaston, Derby DE73 6TE.
Tel: 01332 722671

East South Wales Centre Mr. G. Rogers, 735 Newport Road, Rumney, Cardiff CF3 8DD.
Tel: 01222 777576

East Yorks Centre Mr. D. A. Brown, 4 Brockfield Road, Huntington, York YO3 9DZ.
Tel: 01904 622274

Midland Centre Mrs. D. Edwards, Oak Lodge, Buckwyns Chase, Billericay, Essex CM12 0TN.
Tel: 01277 632249

Mid Wales Centre Mr. M. Kilvert, Windy Way, Nantoer, Newtown, Powys SY16 1HH.

North Western Centre Mr. G. Lowe, Liversage House, 83 Under Lane, Grotton, Oldham OL4 5RN.

South Eastern Centre Mr. M. Godden, 6 Greenlane Cottages, Green Lane, Tonbridge, Kent TN12 9RE. Tel: 01892 730922

Southern Centre Mrs. D. J. Read, 12 Heights Road, Upton, Poole, Dorset BH16 5QL.
Tel: 01202 778136

South Midlands Centre Mr D. Porter, 96 Pembroke Avenue, Luton, Beds LU4 9BJ
Tel: 07710 435127/01582 651189

South Western Centre Mr. C. Pattison, 6 Churchfields, Wincanton, Somerset BA9 9AJ.
Tel: 01963 33001

Wessex Centre Mr. M. Melksham, 6 Staplegrove Crescent, St. George, Bristol BS5 8TN.
Tel: 01179 095479

Western Centre Mr. T. Vivian The Cottages, Blakes Lane, Guarlford, Malvern, Worcs. WR13 6NZ
Tel: 01684 311582

Yorkshire Centre Mr A Brown, 20 Albany Drive, Walton-le-Dale, Preston. PR5 4TY. 01772 497747.
07863 557185. Adrian@deklanbrown.com

1.9 CLERK OF THE COURSE

A list of current National ACU Clerks of the Course is available from the ACU Head Office.

SECTION 2 PROCEDURES

2.1 DIRECTION OF RACING

Solos A, 500cc Sidecar B1(c), 1000cc B1 (b), will race in an anti-clockwise direction. 1000cc Sidecar B1 (a) will race in a clockwise direction.

2.2 RUNNING OF ENGINES

The running of engines is prohibited except during official practising and actual racing, and for a period not exceeding five minutes prior to the start of each race. A breach of this regulation will involve disqualification from the meeting of the driver of the motorcycle concerned.

2.3 CONTROL OF EXHAUST SOUND LEVEL

The Clerk of the Course may exclude any machine which exceeds the maximum permitted sound level, or which in his opinion is deemed to be excessively noisy. The sound level will be controlled either by the fitment of an FIM homologated silencer or, in the absence of homologated silencers according to the FIM 2 Metre Max Method where the sound levels will not exceed 81 dB(A) when measured at a distance of 100 metres. For precise method of testing, please refer to the Sound Control Regulations within this handbook. Random or spot checks may be made by ACU Sound Control Officials of the sound level of any machine not fitted with an FIM homologated silencer taking part in any ACU meeting in addition to any routine checks at Technical Control.

The engine piston stroke in millimetres must be permanently and prominently displayed on the crankcase for use in sound control calculations.

2.4 ENGINES MEASUREMENT

Where it becomes necessary for the ACU or an organiser to verify any fact relating to an engine size, it shall be carried out at the cost of the rider. Where an engine is measured, as the result of a protest, the protest must be submitted with the appropriate fee plus a deposit of £50.00 for a single cylinder engine and £250.00 for a multi-cylinder engine which can only be returned if the protest is upheld. If the protest is unsuccessful then the deposit will be awarded to the person against whom the protest has been made. The protest fee will be sent to the ACU Benevolent Fund. The Clerk of the Course shall judge as guilty anyone who refuses to present an engine for measurement. The rider will be excluded from the results of the event and will be fined. If engines are presented for measurement, but this cannot be carried out at the event, the engines must be sealed for later measurement. If seals are damaged or removed the rider will be excluded from the results and fined. A sealed engine must be measured before the next round of that championship for which it has qualified, or within 28 days, whichever is the sooner.

2.5 ENVIRONMENTAL PROTECTION

- a) Environmental mats must be used by all competitors to prevent the discharge of fuel, oil, cleaning fluids, degreasants, cooling and brake fluids from contaminating the ground.
- b) The power washing of motorcycles is not permitted at Grass Track events.
- c) Competitors and their teams must make use of the containers provided by the organiser for the disposal of oils and other waste material.

2.6 TECHNICAL CONTROL

All motorcycles and protective clothing must be presented to the Technical Official for examination before the start of any practice, or at any time during the meeting as may be required by the Clerk of the Course, to ensure that they comply with the requirements of the regulations. Spokes on all wheels

must be accessible during technical control. Any machine involved in an accident must be presented to Technical Control for re-inspection before being ridden again at the meeting. Youth – protective clothing must be worn by competitors when presented for Technical Control.

2.7.1 PRACTISING

At all Grass Track meetings controlled practising will be allowed on the course and each driver and passenger must complete at least two laps of practice to qualify for the event. Practice laps must be recorded.

2.7.2 PRACTICE STARTS

Practice starts are not permitted, unless provided for the Supplementary Regulations for the event. When practice starts are permitted, they can only take place off the “racing line”.

2.8 ON TRACK STARTS

The Start/Finish line should be positioned at 50% of the length of the straight. The starting gate stanchions must not compromise the run off area. There must be no more than eight solos or six sidecars on the start line.

2.9 METHOD OF STARTING

The method of starting shall be stated in the Supplementary Regulations. For National adult events a green light will be illuminated to indicate to riders that they are under Starters Orders. Any rider touching the starting tapes once under starters orders will be disqualified.

2.10 STARTER'S ORDERS

Only those riders/passengers in the starting area or on a grid will be deemed to be under Starter's Orders. No other rider is subsequently permitted to start in a race.

2.11 DELAYING THE START

Any rider not prepared to start within two minutes after being called to the starting line will be disqualified from the race.

2.12 FALSE START

Any rider who in the opinion of the Clerk of the Course has caused a false start will be disqualified from that race.

2.13 FLAG SIGNALS

The following code of Flag Signals will be used where appropriate.

National Flag: Start.

Black with Drivers Number: That driver to STOP.

Yellow: Accident, slow down, driver must be prepared to stop. OVERTAKING STRICTLY PROHIBITED. Any rider judged to have taken unfair advantage by racing or attempting to overtake within the area controlled by the yellow flags will be considered guilty of unfair and/or dangerous driving and will be disqualified.

Red: Immediate STOP all drivers – return to the pits at a walking pace or as directed by the marshals

Green: Course Clear

Yellow with Black diagonal cross: Start of last lap.

Chequered Black and White: Finish

Any additional flag signals will be stated in the Supplementary Regulations. Only authorized Officials are permitted to use these flags. All the above flags should measure not less than 750mm x 600mm.

2.14 FINISH OF RACE

The chequered flag will be displayed as the winner crosses the finishing line and will be kept flying thereafter until the last rider finishes the lap. No rider will be allowed to start a fresh lap after the chequered flag has been displayed. Thereafter riders crossing the line will be flagged off, their position being determined by the number of laps each has completed. To be classified as a finisher a rider must complete $\frac{3}{4}$ of a four lap race or $\frac{2}{3}$ of a six lap race within three minutes of the winner crossing the finish line.

A competitor who has qualified for a final but not completed race distance will be placed according to the number of laps completed, without the requirement to complete a minimum number of laps.

2.15 STOPPAGE OF A RACE

If a race is stopped before the race leader has completed $\frac{3}{4}$ of a 4 lap race, or $\frac{2}{3}$ of a 3 or 6 lap race, the race shall be re-run. If the race leader has completed the above race distances, ($\frac{3}{4}$ of 4 lap race or $\frac{2}{3}$ of a 3 or 6 lap race), before the race is stopped, the results can be declared at the discretion of the Clerk of the Course.

2.16 LEAVING THE COURSE

A driver who permits any of the wheels of his motorcycle and/or sidecar to cross the defined edges of the track will be reported to the Clerk of the Course who may disqualify that rider, unless such action was in the interests of safety or due to the action of another rider. Any rider or passenger who displaces the marking flags with either his motorcycle/sidecar or any part of his person may be excluded.

2.17 RIDING IN THE PITS

There shall be no riding of motorcycles in the pits. Where possible an area protected by a safety fence shall be provided to start machines.

2.18 ACCIDENT INVOLVING DANGER

If an accident has occurred and in the opinion of the Clerk of the Course it would be dangerous for the race to continue, he will stop the race and may order it to be re-run. The Clerk of the Course will exclude the rider(s) who are the primary cause of the race being stopped.

2.19 RE-RUN RACES

In the event of a race being re-run, the Clerk of the Course may permit any rider who has fallen either as a result of his having been fouled or because he had deliberately 'laid down' his motorcycle or has left the course in the interest of safety, to take part in the re-run. Any rider having been the primary cause of the stoppage, or not proceeding under mechanical power at the time of the stoppage, will not be eligible to take part in the re-run.

2.20 OUTSIDE ASSISTANCE

If, during a race, a rider receives outside assistance, other than that provided by the organisers for the removal of himself or his machine from the course in the interests of safety, he will be excluded.

2.21 FOUL, UNFAIR OR DANGEROUS RIDING

The Clerk of the Course may discipline any rider who, in his opinion is guilty of unfair, foul or dangerous riding in accordance with 10.03.2.1 of the National Sporting Code of the ACU.

2.22 CHANGE OF MACHINE OR PASSENGER

A change of machine and/or passenger within a particular capacity class may be permitted at any stage of an event (including the re-run of any races) subject to the approval of the Clerk of the Course, providing that:

- a) The machine has been passed by the Technical Official
- b) The passenger has an appropriate licence, has signed on, and has taken part in the official sidecar practice

2.23 TIES

(required for ACU Championship and National events, recommended for other events – if alternative method to be used, must be included in supplementary regulations)

Intermediate/Semi Final Standings

- a. Count back
- b. Best position in the last heat that the riders met
- c. A ballot in the presence of a Steward

Finals where points are carried forward

- a. Where riders tie on points after the Final the best place in that Final will decide the overall result.

2.24 MEDICAL SERVICES

At least one ambulance must be present during all official practicing and racing, and if it is not possible for a second ambulance to be present, an auxiliary vehicle with a stretcher must also be available on the course during official practicing and racing.

At all Grass Track events, including official practice, qualified First Aid personnel must be in attendance with full first aid equipment including a stretcher.

For events of National status and above arrangements must also be made for a Doctor or Paramedic, with appropriate equipment for racing, to be in attendance during racing and official practicing with two ambulances being available.

For events below National status the attendance of a Doctor or Paramedic is strongly recommended.

All paramedics must be registered with the Health Professional Council. Names of paramedics should be obtained by an organiser prior to the event taking place and then checked on the following HPC website: <http://www.hpcheck.org/lisa/onlineregister/MicrositeSearchInitial.jsp>.

The minimum equipment requirements for an Ambulance are as follows:

Medical: Stretcher – Apparatus to immobilise limbs and vertebral column – oxygen supply – First Aid kit and materials

Technical: Radio communication – visible and audio signals – 4 First Aid personnel

(Note: Local hospital authorities must be advised prior to the event of the time and date of the meeting).

For definitions of Doctor, Paramedic, Ambulance and First Aid personnel please refer to the Medical Services section within this handbook. Paramedics must be registered with the Health Professional Council. Be aware that some paramedics and St Johns Ambulance teams may not be able to carry morphine.

2.25 DOGS

Whilst dogs are not discouraged from attending Off Road motorcycle sport events, they are to be kept on a lead and under control at all times. Owners are responsible for ensuring that any dog is kept under control and are responsible for clearing up any fouling that may occur.

SECTION 3 RIDERS

3.1 HELMETS

Helmets approved by the ACU bearing the current ACU approval stamp and in sound condition and properly fitted must be worn by all riders and passengers while practising and racing. Overseas riders may use helmets as approved by their own FMN or FIM. For further information regarding helmets please refer to the Helmet section of this handbook.

3.2 PROTECTIVE CLOTHING

In all races and official practice outer clothing made of leather or a substitute, substantially padded at the shoulders, elbows, hips and knees, and calf-length boots, and leather or suitable substitute material gloves, must be worn by both riders and passengers. Racing suits should be one piece or effectively joined when worn to form one piece. Any other racing suits must meet the standards required for leathers. Where non-leather materials are used they should have the following characteristics equivalent to leather.

- i) Fire retardant ability
- ii) Resistance to abrasion
- iii) Coefficient of friction against track surfaces
- iv) Perspiration absorbing ability
- v) Be nontoxic and non-allergic
- vi) Fabric must not melt

The clothing manufacturer is responsible for ensuring that the products and materials that carry his name conform to these rules. Kevlar suits are approved ONLY if worn with padding or a padded inner suit. Nylon suits will only be approved if worn with padding or a padded inner suit. It is advised that motocross jerseys should only be worn with padding that will provide protection against abrasion to the body and arms and that motocross jeans should only be worn with padding to the hips and knees.

The minimum requirements for the footwear of passengers shall be leather ankle boots, minimum height 200mm. Goggles, and spectacles if worn, shall be of a non-splinterable material.

I Rigid Tear offs – must have rounded corners to avoid causing injury when discarded.

Youth – Tinted goggles/visors only allowed with permission of the Clerk of the Course and Technical Official at Technical Control. Youth protective clothing should comply to the same standards as for adults.

Back Protectors. Competitors in all classes are required to wear commercially manufactured back protection during both practice and racing.

3.3 IDENTIFICATION DISCS

All riders and passengers, including youth competitors, are required to wear identification discs around the neck or the wrist during racing and practising. The disc must bear the wearer's full name and date of birth. String/wool or any other non-breakable material must not be used around the neck.

3.4 JEWELLERY

Competitors are advised not to wear hand, face or body jewellery/piercings which could prove hazardous in the event of an accident. The mouth should be kept clear of anything likely to cause a blockage of the airway in the event of an incident, e.g. chewing gum. This includes removing dentures.

3.5 FIRE EXTINGUISHERS

All competitors, with the exemption of those who have travelled to an event on the machine on which they are competing, must have a 2 kg (minimum) dry powder fire extinguisher available for immediate use. If a 'closed vehicle' is being used the extinguisher must be fitted adjacent to, or on the inside of the working door. In the case of a shared vehicle the other competitors extinguisher(s) should also be visible, or, the fitted extinguisher(s) must be of a proportionately larger capacity.

3.6 LICENCES

- a) **FIM & UEM Championship Licences.** The Track Racing Committee will confirm the competitors who qualified and are eligible for these licences. The holders will be automatically entitled to hold a Non-Championship Licence.
- b) **International Non-Championship Licence.** Holders of a National Licence are eligible to

apply for an International Non-Championship Licence. An International Non-Championship Licence can only be obtained through the relevant National Championship or at the discretion of the Track Racing Committee.

- c) **Licence Upgrading.** To upgrade to a National Licence drivers must obtain signatures from the relevant Clerk of the Course to demonstrate that they have finished in 6 finals at lower level events. Sidecar passengers wishing to upgrade to a National Licence must obtain signatures from the relevant Clerk of the Course to demonstrate they have finished in 3 finals at lower level events.
- d) **Lapsed Licences.** Any competitor wishing to renew a licence which requires qualification and the licence has been expired for more than 3 years will be issued with a Restricted Licence.

SECTION 4 TECHNICAL

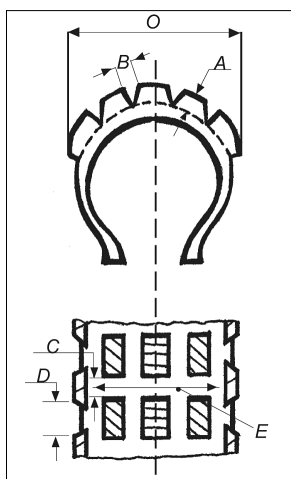
4.1 SPECIFICATION OF MOTORCYCLE

Motorcycles of Solo Category 1, Group A1, Sidecar Category 1, Group B1 (a, b, c) must comply with the following discipline requirements in addition to those of the National Sporting Code Appendix D. Machines originally designed for Enduro, Motocross, and Trials competitions (as defined in the respective regulations) are permitted in race meetings but may not be used in the same races as Track Racing motorcycles, but may be included on the same permit.

4.2 BRAKES

Motorcycles in Group A(1) and A(2) (Solos) must comply with the following:

- 250cc, 350cc and 500cc Track Racing motorcycles used in adult competitions must not be fitted with brakes or decompressors.
- All other motorcycles used in adult competitions to be fitted with at least one effective brake. Motorcycles in Category 1 Group B (a, b) must be equipped with at least one effective brake operating on the motorcycle wheels.
- For Youth Competitions, all machines must be fitted with an effective brake on each wheel, with the exception, machines used in the International 125cc and 250cc Four Stroke class competitions where brakes are not allowed. Machines without brakes cannot compete in the same races as machines with brakes.



4.3 TYRES

Except for the prohibited use of tractor pattern tread tyres there is no restriction as to the type of tyres which may be used for solo motorcycles, other than as may be laid down in the Supplementary Regulations. The tread depth and spacing of tyres fitted to the driven wheel of Groups B (a, b) must not exceed the dimensions specified for trials tyres refer to diagram. The overall width, measured at wheel spindle height must not exceed 150mm. Tread depth (A) must not exceed 13mm. All tread blocks in the same circumference must be of the same depth. The space between the tread blocks (B) must not exceed 10mm across the tyre or 13mm in a circumferential direction (C). The space between the shoulder blocks (D) must not exceed 22mm. The space across the tread (E) must not extend completely across the tyre measured at right angles to the tyre wall unless broken by a block. All main tread blocks must in principle be parallel with or at right angles to the tyre axis. (The tyre must have the same appearance if reversed and conform in principle with these diagrams). The tread pattern of the tyre must not be modified.

4.4 MUDGUARDS AND WHEEL PROTECTION

Category 1, Group A and B motorcycles must be fitted with two mudguards giving protection to the driver. The rear mudguard must extend laterally beyond the tyre and cover at least 35 degrees of the upper front quadrant of the rear wheel, and must extend to 5 degrees or more behind a vertical line running through the rear wheel spindle and must extend to the full width of the tyre. The Clerk of the Course may permit the removal of the front mudguard if conditions make this desirable. If cast or welded wheels are used for all types of Track Racing a protection must be provided by enclosing the spokes with solid discs. The sidecar wheel mudguard must extend to the full width of the tyre. For all solo machines FIM Homologated Dirt Deflectors may be used.

4.5 WHEEL RIMS

The modification by drilling to the wheel rims is prohibited other than for spokes, valve, security bolts or tyre retention screws. If the rim is modified for bolts, screws etc. they must be fitted.

4.6 CLUTCH AND BRAKE LEVERS

Refer to National Sporting Code Appendix D.

4.7 FOOTRESTS AND HANDLEBARS

The footrest for the driver must be positioned to give easy access to any control pedal. The ends of the footrest must be rounded with a spherical radius of not less than 8mm viewing from front and end of footrest. The ends of the handlebars on all motorcycles shall be rounded or otherwise protected. When light alloy handlebars are used, the distance between the two extremities of the clamping area (or of the two clamps) must not be less than 120mm and handlebar clamps must be very carefully radiused and engineered so as to avoid fracture points in the bar.

4.8 FRONT ENGINE PLATES SOLO – MACHINES

Where appropriate, the void between the front engine plates of solo machines below the dirt shield, if fitted, must be covered with a permanently fixed shield or plate.

4.9 OPEN TRANSMISSION GUARDS

The primary transmission must have a fully enclosed guard. The cutting of the guard is only permitted to expose the clutch pressure plate and allow adjustments to the clutch springs. An additional protection must be provided to prevent a broken primary chain from flying upwards. This can be provided by either a fully enclosed steel chain guard or, if a plastic chain guard is used, a steel bolt of 10mm minimum diameter, placed outside the bottom rear quadrant of the clutch sprocket. This bolt, if damaged, must always be completely replaced. On all machines chain guards must be fitted to cover the entry to the gear box and rear wheel sprockets.

4.10 IGNITION CUT-OUTS

An ignition cut-out operated by a lanyard which disables the machine in the event that the driver dismounts must be fitted to all machines. Cut-outs must function when the lanyard is pulled from any direction. The lanyard must be non-elastic. Coiled telephone cable or similar materials are not permitted. The cut-out must operate on the low voltage circuit and be fail safe when operated. In addition, any part of the cut-out which remains live after actuation must be shrouded in order to prevent accidental contact re-establishing the current flow. The use of the handlebars or front forks as part of any circuit is not permitted. The cut-out lanyard must be attached to the operators wrist whenever the engine is running including push starting the machine and warming up the engine.

4.11 CARBURETTORS

500cc solo machines must be fitted with one carburettor with a maximum choke size of 34 + 0.1mm circular shape.

4.12 SUPERCHARGERS

The use of superchargers and turbo chargers on solo machines is prohibited.

4.13 CHASSIS CONSTRUCTION

The use of titanium nuts and bolts is not permitted. A dimension increase may be necessary when ferrous fasteners are replaced by non-ferrous fasteners.

4.14 EXHAUST SYSTEMS AND CONTROL OF EXHAUST SOUND LEVELS

Solo – The exhaust system of a solo machine must not extend beyond the outer circumference of the rear tyre. Between the silencer and the tyre a maximum gap of 60mm must not be surpassed. The exhaust fumes must be discharged from the system horizontally and parallel to the centre line of the machine. The exhaust pipe of a solo track racing motorcycle must be fixed to the cylinder head and frame with a minimum of three clips (the point of fixture at the cylinder head is considered as one clip). The diameter of the exhaust pipe must not exceed 50mm diameter or an equivalent area and must remain constant up to the silencer. The outlet area of the silencer must remain constant over a length of 50mm and must not exceed 45mm or an equivalent area

Note: From 1st March 2011:

500cc Solo and Sidecar machines – must use a 2010 FIM Homologated silencer. The only exception are machines using engines not designed for Track Racing where an alternative silencer must be used and will be subject to sound control using the new FIM 2 metre Max method of testing.

250cc and 350cc Solo machines – must use either the 2010 or 1995 FIM Homologated silencer.

The only exception are machines using engines not designed for Track Racing where an alternative silencer must be used and will be subject to sound control using the FIM 2 Metre Max Sound Levels.

Pre 75 and Upright Solo machines – must use either the 2010 or 1995 FIM Homologated silencer.

The only exception are machines using engines not designed for Track Racing where an alternative silencer must be used and will be subject to sound control using the FIM 2 Metre Max Sound Levels.

1000cc Sidecar machines – will be subject to sound control using the new FIM 2 metre Max method of testing.

200cc and lower machines – will be subject to sound control using the current ACU sound control method.

For Sidecar category B1(c) 500cc exhaust systems see specification 4.16(b).

All Machines – The outside shell of a silencer must form one integral unit in order to prevent any parts being dropped during a race. The end of the pipe must be cut at a right angle. The silencer must be fixed to the frame with at least one clip. In addition, for reasons of safety, a second flexible coupling must be fitted from the first third of the silencer to the frame (for example: a steel cable of at least 3mm diameter). The use of intermediate expansion boxes on two-stroke machines is permitted.

4.15 SPECIFICATION OF THREE WHEELERS CATEGORY 1

All motorcycles in Group B1 (a, b) shall comply with the following:

- a) The three road wheels shall be each of at least 400mm (16") in diameter measured over the outside of the tyre.
- b) Where wheels are not wire spoked they must be enclosed with a disc.
- c) The wheel track, or lateral distance between tracks, shall be at least 800mm (32").
- d) Chains: The top and bottom runs of the drive chains and points of connection must be shielded.
- e) A passenger must be carried in addition to the rider.

- f) All sidecars must be on the left hand side of the motorcycle except where special dispensation has been granted for races confined to sidecars affixed to the right hand side of the motorcycle.
- g) All sidecars must be rigidly fixed to the motorcycle. On level ground the maximum incline of the sidecar wheel must not exceed 25 degrees. The maximum incline of a Class B1 (a) (1000cc) motorcycle must not exceed 5 degrees from the vertical. The sidecar wheel must be completely covered on the outside by a disk extending to the wheel rim. No light alloy bolts shall be used in the attachment of the sidecar or sidecar wheel.
- h) The sidecar wheel may be covered by a fairing. If such a fairing is fitted it must be constructed of fibreglass, plastic or similar material and must not provide a danger to any competitor. No part of any sidecar fairing may extend beyond a vertical line drawn through the rear edge of the back tyre. If the sidecar wheel is to be enclosed by a fairing it must be contained within a continuous 25mm horizontal supporting bar, fixed rigidly to the sidecar platform at sidecar floor height. On the right hand side of the machine any single projection within the diameter of the rear wheel and tyre must not exceed 100mm (4") measured horizontally from the outside of the rear wheel fork slot. Where a single projection as an extension to the rear spindle is used, this must have a minimum diameter of 25mm, be ball-ended and covered with a rubber ferrule.
- i) The maximum capacity of machines permitted in sidecar races shall be: Class B1 (a) maximum 1006cc, unsupercharged, 650cc supercharged maximum.
- j) The front number plate, conforming to the size requirements of 4.20, should be fitted to the motorcycle. In addition, a forward facing number plate should also be fitted to the front of the sidecar.

Streamlining – Streamlining is not permitted. Streamlining is defined as any addition to the handlebars or to the frame of the machine, the effect of which is to shield the rider's arms, legs or body from the air stream.

- k) 1000cc – The rear mudguard of the machine must be rigid or braced and extend to 75mm below spindle height. To this a flexible mudflap must be securely fixed, minimum 10mm thick and 150% of the overall tyre width and to within 50mm of the ground when laden. For all 1000cc sidecar machines dirt deflectors may be used. Where a machine is fitted with a dirt deflector it will replace the mudflap.
- l) No part of the passenger hand-rail on a sidecar may be less than 255mm from the outer edge of the sidecar (this includes the wheel and wheel arch).
- m) The front of the sidecar chassis must allow reasonable lift of the rear wheel. Where foot boards are fitted to the motorcycle, there must also be reasonable lift of the sidecar wheel before the foot boards foul the ground.
- n) Protection for the passenger must be provided on three-wheelers from the rear wheel, the primary and final drive chains of the motorcycle and from the sidecar wheel.

4.16 SPECIFICATION OF THREE WHEELER CATEGORY B1(C) 500CC

- a) **GENERAL SPECIFICATION.** For all races, only single cylinder 4-stroke engines are allowed. The maximum capacity is 500cc, 4 valves maximum fitted with one carburettor, maximum diameter 38mm and one spark plug.
- b) **EXHAUST SYSTEM.** The exhaust must not extend beyond the outer circumference of the rear tyre and must not end further forward than the centre of the rear wheel. Between the silencer and the tyre there must be a maximum gap of 60mm. On a sidecar machine the exhaust must discharge horizontally and towards the rear, at a maximum angle of 300 to the axis of the machine, and at the end be of a constant diameter over a distance of 50mm. FIM homologated silencers must be used, in line with the current sound control regulations.
- c) **BRAKES.** Brakes are not permitted on 500cc sidecar motorcycles.
- d) **FOOTRESTS.** For Track Racing sidecars the footrest on the opposite side to the sidecar must be protected at the front by a crash bar connected to the frame so that injury or breakdown to

other participants is prevented. The footrest must be fitted at a height of at least 150mm from the ground.

- e) **MUDGUARDS & WHEEL PROTECTION.** For 500cc sidecars, the mudguard of the rear wheel and the mudguard of the sidecar must extend within 200mm from the ground. Protection from the sidecar wheel and the rear wheel for the passenger must be provided down to the level of the sidecar platform. The sidecar wheel must either be completely covered by a disc extending to the wheel rim, or the sidecar mudguard must extend downwards on the outside of the centre of the wheel spindle.
- f) **TYRES.** No specification for front and sidecar tyres. For the rear tyre the overall width must not exceed 100mm and the only tyres allowed are those with Track Racing, Speedway or Trials tyre tread pattern
- g) **WHEELS & RIMS.** Front wheel: Minimum rim diameter 18", minimum diameter of wheel spindle 15mm, solid steel shaft permitted only, minimum diameter of spokes 3.5mm M4 steel, spoke facing must cross twice. Rear wheel: Minimum rim diameter 18", maximum rim diameter 22", minimum diameter wheel spindle 17mm, solid steel shaft permitted only, minimum diameter of spokes 4mm M4 steel, spoke facing must cross twice. Sidecar wheel: Maximum rim diameter: 16". Maximum wheel inclination of 300, measured from the vertical to the inside (controlled by angle measuring instrument and spirit level). Position: One-sided wheel spindle diameter of 25mm minimum at the point of the highest moment of deflection; solid steel; or, diameter of 15mm if supported on both sides of the wheel. The sidecar wheel spindle must not be welded in position. It must be screwed on, for example, by collar or clamp, with at least three M8 screws. The minimum length of the clamp is 100mm. For construction using a clamp, protective devices against the loss of the component or failure of the clamp must be provided. Clamp construction in two places is forbidden. All wheel shafts must be secured by a nut with a secondary safety device e.g. split pin, R clip or circlip.
- h) **SIDECAR SPECIFICATION.** The minimum ground clearance at the front edge of the sidecar platform is 150mm. The ground clearance of a laden sidecar (with a rider and passenger) must be no less than 100mm at any point. The distance between the tracks left by the centre lines of the rear motorcycle wheel and the sidecar wheel must be at least 800mm and not more than 1100mm. On the opposite side of a 500cc sidecar, the exhaust pipe must not extend more than 330mm from the centre of the machine. On the sidecar side, the exhaust pipe must not extend beyond the width of the sidecar. The furthest extremity of the exhaust pipe must not exceed the vertical line drawn at a tangent to the rear edge of the rear motorcycle tyre or the rear edge of the sidecar platform whichever is shorter. The outside of the 500cc sidecar wheel shall be provided with horizontal tubular protection (minimum tube diameter 25mm) fixed at the same height as the sidecar wheel spindle. No component shall protrude beyond this protection. The inclination angle of the motorcycle must not exceed 15°.

4.17 TRACTION CONTROL

The forward motion of a motorcycle must be controlled by the rider only, and regulation of speed shall be through the use of throttle, clutch, gears and brakes when fitted. Any other form of control is not permitted.

4.18 FUEL

Fuel may be methanol or unleaded petrol. Please refer to the ACU and FIM fuel regulations for physical properties, fuel test costs, and penalties for non-compliance. Power boosters and octane boosters are forbidden. Fuel must be stored in a labelled container. Smoking is not allowed, mobile phones should not be used when refuelling machines.

4.19 OIL CATCH TANKS

Must be fitted to all four stroke machines using a total loss lubrication system and must be emptied after each race.

4.20 NUMBER PLATES

Whenever number plates are required to be used at an event they will be three in number and must comply with the following requirements. Both classic and pre-75 machines may be granted a dispensation to this rule. Number plates must be of durable construction with the minimum dimensions height 235mm × width 285mm. The front plate must be rectangular with 50mm radius to the corners. The plates must be flat or slightly curved (not more than 50mm from the true plane) and must not be otherwise bent or obscured in any way. One plate must be carried forward and not more than 30 degrees from the vertical and the others must be facing outwards and vertical (one on each side of the machine). Side facing plates can be oval. They must be so fixed that they are clearly visible and not obscured by any part of the machine or by the driver or passenger when in the riding position. **It is the responsibility of the competitor to ensure that racing numbers are clearly visible for lap scorers.** The minimum dimensions of the figures must be: height 140mm, width 80mm, width of stroke 25mm and the space between any two figures 15mm. The number plates size relates to a two digit number. Should a three digit number be used then an increase in the size of the plate will be required. The figures must be legible and both figures and background must be in a ‘matt’ (non-shiny) colour. The colours shall be as follows:

Front & Side Plates	Background colour	Number colour
Solos up to 50cc	White	Black
Over 100c to 125cc	Black	White
Over 126cc to 250cc	Green	White
Over 251cc to 350cc	Blue	White
Over 351cc to 500cc	Yellow	Black
Over 500cc to 1300cc	White	Black
Three wheelers		
Class B1c	Yellow	Black
Class B1a, B1b	Black	White
Youth		
Cadet Auto	White	Black
Cadet	Black	White
Junior	Red	White
Intermediate	Yellow	Black (with a small letter y to avoid confusion with over 351cc adult class)
Senior 250cc	Green	White
Senior 350cc	Blue	White
International 125cc	Green	White

Where yellow, green or blue are required the colours shall comply with BS4800: 1972 as follows:

Yellow 10E526 Green 14E53 Blue 18E53.

Any other number plate or any marking on the motorcycle that might be confused with a number plate must be removed before the rider is allowed to start.

4.21 QUADS

Grass Track Quads are limited to a maximum engine capacity; a two stroke engined quad should not exceed 550cc. Whether two stroke or four stroke the engine must have no more than two cylinders up to 550cc. The maximum engine capacity for a four stroke engined quad should not exceed 700cc and

be single cylinder. Quads eligible for the 250cc class are allowed a 10% oversize but are not allowed to exceed 275cc. Motocross riding gear must be worn at all times. Track safety roping is to be set out as in accordance with the Grass Track sidecar safety roping regulations. Lanyard cutouts must be used.

Youth – Quads are not permitted in youth events without agreement from the Track Racing Committee.

For Quads a third number plate must be fitted running parallel with the machine at the rear, readable when facing the side view of the machine. The mounting bracket must not exceed 25mm in a vertical plane from the mounting point.

All other specifications as in Quad/ATV Motocross Standing Regulations and National Sporting Code Appendix D.

4.22 CLASSIC PRE-75 SOLO GRASTRACK MACHINES

These guidelines are for solo machines in accordance with equipment which was in common use up to 1975.

- a) **Standing Regulations.** All machines must comply with the Standing Regulations for Grasstrack racing as given in the current edition of the ACU handbook with the exception of the following:
- b) **Frame.** The frame should ensure that the engine is mounted in a near upright or vertical position. The rear suspension, if fitted, should incorporate a swinging arm with suspension units mounted on each leg of the swinging arm and onto the rear subframe. Monoshock rear suspension is not permitted. Only telescopic style front forks are permitted. Leading link style forks are not permitted.
- c) **Four Stroke Engines.** The engine will have one inlet and one exhaust valve per cylinder. The inlet port of the cylinder head must be angled towards the right hand or left hand side of the machine. Central carburettor cylinder head design will not be permitted. On a pre unit construction type engine the lubrication system will be total loss type with an oil catch tank fitted as per Grasstrack Technical Rule 4.19. On a unit construction type engine a recirculatory oil system will be permitted.
- d) **Two Stroke Engines.** The engine will be of air cooled design and be of a type commercially available up to 1975. Water cooled engines not permitted.
- e) **Carburettor and ignition system.** No restriction.
- f) **Transmission system (gearbox and clutch).** No restriction.
- g) **Mudguard.** Number plates and dirt shields etc. In keeping with the styles and types available of the period (plain designs and colours are preferred)
- h) **Wheel sizes.** No restriction.
- i) **Brakes.** As per Grasstrack Standing Regulations rule 4.2. The object of the above guidelines are to ensure that all club officials and competitors are aware of the construction requirements so that the possibility of a dispute at an event is reduced. It is recognised that certain parts will be of modern manufacture, this will be accepted as long as the above guidelines are adhered to.

4.23 POST-CLASSIC PRE-1990 UPRIGHT 4 VALVE 4 STROKE SOLO GRASSTRACK MACHINES

These guidelines are for solo machines in accordance with equipment that was in common use between 1976 and 1990

- a) **Standing Regulations.** All machines must comply with the Standing Regulations for Grasstrack racing as given in the current edition of the ACU handbook with the exception of the following:
- b) **Frame.** The frame should ensure that the engine is mounted in a near upright or vertical position. The rear suspension, if fitted, should incorporate a swinging arm with suspension units mounted on each leg of the swinging arm and onto the rear subframe. (MONOSHOCK REAR SUSPENSION IS NOT PERMITTED) Both telescopic style and leading link type front forks are permitted.

- c) **Four Stroke Engines.** The engine will have two inlet and two exhaust valves per cylinder. The inlet port of the cylinder head may be angled towards the right hand or left hand side of the machine or mounted centrally from the cylinder head.
The engine the lubrication system may be either a recirculatory system or a total loss system if the engine is a total loss system then an oil catch tank must be fitted as per Grasstrack Technical Rule 4.18.
- d) **Four Stroke Engine Carburettor.** Must have a maximum choke/venturi diameter of 34mm.
- e) **Two Stroke Engine.** The engine will be of air cooled design and be of a type commercially available between 1976 and 1980.
- f) **Two Stroke Engine Carburettor.** Must have a maximum choke/venture diameter of 38mm.
- g) **Ignition system.** No restriction.
- h) **Transmission system (gearbox and clutch).** No restriction.
- i) **Mudguard.** Number plates and dirt shields etc. In keeping with the styles and types available of the period
- j) **Wheel sizes.** No restriction.
- k) **Brakes.** As per Grasstrack Technical rule 4.2 (ACU Handbook).
- l) **Silencers.** All machines must adhere to the current ACU Sound Regulations, as set out at 4.14 above.

The object of the above guidelines are to ensure that all club officials and competitors are aware of the construction requirements so that the possibility of a dispute at an event is reduced. It is recognised that certain parts will be of modern manufacture; this will be accepted as long as the above guidelines are adhered to.

4.24 FORMULA GRASS TRACK (FORMERLY BANTAM GRASS TRACK)

Unless stated – Machine specification is as ACU Grass Track Standing Regulations.

Honda Engine

A Standard street legal 100cc–125cc single cylinder, two valve 4 stroke. Standard specifications is as manufacturers handbook i.e. bore 56mm, stroke 49.5mm comp ratio 9.5:1 etc. No engine designed for off road to be used e.g. XR range. No interchanging of parts that would alter standard specification of engine re: handbook. Recommended models CG. CB. XL. RS

- a) **Gear Box.** Standard ratios only. No close ratio gears. Gears to be fitted as standard with model. No pinions to be left out of gear box, the full cluster must be fitted.
- b) **Ignition.** Any type including electronic. Rotor & stator plate may be removed.
- c) **Honda Engine.** A Standard street legal 100cc–125cc single cylinder, two valve 4 strokes. Standard specifications is as manufacturers handbook i.e. bore 56mm, stroke 49.5mm comp ratio 9:5:1 etc. No engine designed for off road to be used e.g. XR range. No interchanging of parts that would alter standard specification of engine re: handbook. Recommended models CG. CB. XL. RS
- d) **Carburettor.** Any make, model or size. Reed valves not allowed.
- e) **Fuel.** Petrol – Normal pump grade. Methanol is not allowed.
- f) **Tyres** Grass Track/Speedway/Trials pattern tyres only. Trials tyre pattern as ACU handbook. On wheels under 18" in size – Trials type tread must be used. Use of Motocross type tyre is prohibited. Maximum tyre width is 3.75 inches size to be displayed on tyre. Not tyre cutting in any form will be allowed.
- g) **Frame.** Forks and brakes as per current ACU Regulations
- h) **Wheels and Hubs.** Any make – 22" Max rear. 23" Max front. Front wheel must not be smaller than the rear.
- i) **Classes and Number Plate Colours**

	Plate Colour	Number Colour
Cadets 6–9 years	White	Black
Cubs 9–12 Years	Red	White

Juniors 12–16 Years	Green	White
Seniors Over 16 Years	Black	White

- j) **Promoting Clubs**, Wrekin BGTC Manchester BGTC and Whitchurch MCC

4.25 INTERNATIONAL 125CC FOUR STROKE SPECIFICATION

International 125cc and 250cc four stroke specification refer to current FIM/UEM technical specification. These classes will run without brakes. Other than events run to FIM/UEM rules brakes must be fitted. Braked and non braked machines must not compete in the same race. The specification of machines in these classes will be in accordance with FIM Rules which are available from ACU Head Office.

SECTION 5 SAND /BEACH RACING

As per Grass track Standing Regulations with the exception of

- Maximum 12 where on-track start
- MX classes – refer to MX Standing Regulations
- MX classes to also include Enduro Machines

ROAD MACHINE CLASSES

- Machines must have original frame and engine. Position can be changed and any unwanted brackets removed.
- Any swinging arm or suspension can be used but suspension type fitted to original machine must remain the same i.e. Machines fitted with units such as cantilever or pro-link, for example, must retain this original type although the make can be changed.
- Machines must retain their original fuel tanks, although a smaller tank that is in keeping with the type is permissible.
- Internal engine modifications allowed but external appearance must remain.
- Imm oversize allowed for rebores; any carburettors or ignitions can be used.
- Enduro machines are not permitted in the road bike class.

THREE WHEELER CATEGORY 1. GROUP B1 (A, B)

- Maximum Capacity of sidecars 1040cc (to accommodate FIM Sidecar Speedway regulation machines)
- Supercharged up to 650cc. 651cc to 1040cc – not supercharged

SECTION 6 SHORT TRACK

- 6.1 Direction of racing.** Short Track Racing will take place on an oval circuit and will run in an anti-clockwise direction.
- 6.2 No of riders.** There will be a maximum of twelve riders on the track in any race or practice session.
- 6.3 Practice.** The practice session at the beginning of the meeting is compulsory for all riders.
- 6.4 Race Distances.** The duration of races will be as follows: 6 laps for heat races, 8 laps for last chance/semi finals, 12 laps for the grand final.
- 6.5 Time Penalty.** Any rider not at the start line within 2 minutes of being called will be excluded from the race.
- 6.6 Starting Infringement.** If a rider touches the tapes or jumps the start, the referee will place them 25 metres back from the start line.
- 6.7 Flags and Signals.** Riders must obey all signals given to them on the track.
 Chequered Flag – The finish of a race or practice sessions.
 Yellow Flag. – Danger in this section of the track, overtaking is prohibited.
 Red Flag or Red Light – The practice or race is being interrupted. Riders must slow down, return to the pits and await further instructions from the Clerk of the Course.

SECTION 7 SHORT TRACK TECHNICAL REGULATIONS

The basis for the specification will be Motocross, Enduro, Supermoto and Dirt Track machines.

- 7.1 Engine Displacement. 2 stroke 125cc to 500cc, 4 stroke 250cc – unlimited.
- 7.2 Besides the compulsory adjustments, alterations may be applied to the frame and the appearance of the machine.
- 7.3 The front forks must not protrude more than 5cm above the upper attachment of the suspension.
- 7.4 The rear wheel must be able to stop instantly, so an efficient braking system on the rear wheel is mandatory.
- 7.5 Front wheel brakes are prohibited and all the components relating to a front brake must be removed.
- 7.6 Only the following tyres are permitted: Speedway, Supermoto wet tyres and cut slicks, Dirt Track tyres and “for highway use” Trail tyres. Motocross and Enduro rear tyres are not permitted. As a rule, the block tread pattern should have straight sides (not tapered) and the gap between the blocks should be not more than half the width of the block, i.e. 10mm block, 5mm gap.
- 7.7 The rear sprocket should be guarded with a shark fin type protector.
- 7.8 The gearbox sprocket must be suitably protected.
- 7.9 Only fuel that can be purchased from a roadside petrol station is permitted.
- 7.10 A Lanyard type cut-out must be fitted to all machines.
- 7.11 Foot pegs should be in their original position on the frame or no lower than the frame itself. Both foot rests should be an equal height from the ground and in line with each other.
- 7.12 The noise level of any machine must not exceed 89dBA at 2 metres.

SECTION 8 YOUTH COMPETITOR REGULATIONS

The following regulations apply to youth competitors only

8.1 ORGANISING PERMITS

An application for a permit to organise a competition shall be made on the appropriate form and sent to the appropriate Permit Issuing Officer as per the National Sporting Code. Permits for events where revenue is to be obtained from the general public will only be issued if the proceeds are donated to charity, a Steward must also attend any such meeting. If revenue is to be obtained from the general public, it must be clearly stated when applying for a permit. Additional insurance must also be taken out and only events of National status and above will normally be granted permission.

8.2 JOINT YOUTH/ADULT EVENTS

Youth classes may be included in adult events of below National status. The practice and racing for Youth classes must be run separately from the Adult classes and the age groups also separated. Adult clubs promoting joint events shall organise these under a normal Adult permit, issued by the local Centre.

8.3 ADVERTISING

Commercial advertising in connection with Youth competitors in the press or in any publication is not permitted. Approval must be obtained from the ACU Headquarters, before any club/rider appears on TV or any other media.

8.4 RESPONSIBILITY FOR YOUTH ENTRANTS

The parent or guardian must accompany a Youth entrant to a meeting and stay for the duration that the rider is present. A rider deemed unfit by First Aid personnel will be withdrawn from the meeting.

8.5 AGE GROUPS AND ENGINE CAPACITY

When a rider reaches the maximum age for his or her group, they may continue in that group until the end of the calendar year, or upgrade on his or her birthday.

	Age on January 1st
Auto Cadet	6–7 years
Cadet	6–8 years
Junior 65 MX	7–10 years
Inter 85 MX	9–12 years
Senior 85 MX	11–15 years
Junior	9–11 years
Intermediate	12–14 years
Senior A 250cc	15–18 years
Senior B 350cc	15–18 years
Youth Short Track	12–15 years
UEM 125 European Cup	10–16 years
FIM 125 Gold Trophy	12–16 years
FIM 250 Gold Trophy	14–17 years

For FIM Gold Trophy meetings and UEM European Cups the minimum for each meeting starts on the competitors minimum age birthday. The maximum age finished at the end of the year in which the competitor reaches the maximum age.

No rider may compete before his/her 6th birthday. Riders may compete until the end of the year in which the 18th birthday falls. A rider may be upgraded to compete in Adult competitions on or after his/her 15th birthday, up to a maximum capacity of 350 cc and may only revert to Senior Class Youth competition. There are no restrictions to the type or level of youth event that a rider may enter. All riders must be capable of sitting on their machines at the start line (unaided) with the machine in an upright position with one foot firmly on the ground and the other on the footrest. Production Motocross machines will not be allowed in any other Grass Track class apart from the Cadets which must not exceed the stated capacity.

8.6 CAPACITY CLASSES

Youth riders are limited to 350cc engine size. At joint Adult/Youth events, a rider must specify which class he/she will enter, and cannot ride Youth and Adult at the same event. The following maximum engine capacity sizes are appropriate for Youth Grasstrack with the exception that Auto 50cc fixed geared machines cannot be ridden in the same class as geared machines.

Auto Cadet	Auto 50cc Fixed Gear Automatics
Cadet	65cc 2 Stroke – 110cc 4 Stroke
Junior 65 MX	65cc 2 Stroke – 110cc 4 Stroke
Inter 85 MX	85cc 2 Stroke – 150cc 4 Stroke 14" rear 17" front
Senior 85 MX	85cc 2 Stroke – 150cc 4 Stroke 19" rear 21" front
Junior	100cc 2 Stroke – 200cc 4 Stroke
Intermediate	150cc 2 Stroke – 250cc 4 Stroke
Senior A	250cc 2 Stroke – 250cc 4 Stroke
Senior B	350cc 4 Stroke
FIM International 125cc	125cc 4 Stroke
FIM International 250cc	250cc 4 Stroke

Quads refer to Motocross 2.2 on page 134.

8.7 UPGRADING

A rider may be upgraded into the next higher group before reaching the age normally required subject to the following:

- a) For upgrading to classes up to the Senior class:
The written agreement of the parent or guardian.
An endorsement by a current Youth organiser.
The written approval of the Track Racing Committee.
- b) For upgrading from Senior class to 250cc or 350cc adult competition:
The written agreement of the parent or guardian.
An endorsement by a current Youth organiser.
An endorsement by a National Grass Track Coach.
The written approval of the Track Racing Committee.

In limited circumstances, the Track Racing Committee may give approval to a rider remaining in a lower class for an additional year following written application. Where approval is given, the rider will not qualify for any National Championship points for that year.

8.8 AWARDS

Cash awards or gift vouchers are not permitted in Youth events.

8.9 SPEEDWAY CIRCUITS

Any club wishing to hold a meeting on a Speedway track must first apply to the Track Racing Committee, and if permission is granted, a permit may be obtained from the local Centre. All safety regulations for Speed events must be complied with in full. These events must have an ACU Steward in attendance.

8.10 HOLDER OF A SPEEDWAY CONTRACT

Riders in possession of an Elite League contract to a BSPA promoter will not be permitted to compete in Youth Grass Track events.

8.11 CONDUCT

Riders, parents, guardians or associates failing to obey instructions given by Officials of a meeting or deemed to have unjustifiably or maliciously jeopardised the efficient running of the meeting, will be dealt with in accordance with the National Sporting Code.

8.12 MINORITY CLASSES

If a group has an entry of four or less, the Clerk of the Course, with agreement of the Secretary of the Meeting and parents, will decide if those riders will ride with the group above or below the group the riders normally ride in. This should normally be the minority group either side, but only at below National status level.

8.13 STARTERS ORDERS

Only those riders/passengers in the starting area or on a grid will be deemed to be under Starter's Orders. No other rider is subsequently permitted to start in a race.

No parents or mechanics will be allowed on the start area once riders have come under Starters Orders. The only exception being the Auto Cadet and Cadet classes. A parent or mechanic of a rider in this group will be permitted on the start provided they stand at least six feet/2 metres from the rear of the machines at the starting gate.

8.14 CLOTHING

As per Grass Track Standing Regulation 3.2

SECTION 9 GRASS TRACK EVENTS HELD ON SPEEDWAY CIRCUITS

To be implemented where ACU Clubs hold events on Speedway tracks. The ACU Grass Track Regulations shall apply to all Speedway events, where appropriate and the following Supplementary Regulations will become applicable when events of this nature are held.

- 9.1 Affiliated ACU Clubs will only be granted permits to enable them to compete on Speedway tracks that are licenced by the Speedway Control Bureau and maintained to the minimum standard for Speedway.
- 9.2 The Centre within which the circuit is based will normally issue permits for these events.
- 9.3 A Steward will be appointed by the Permit Issuing authority who will conduct a track inspection prior to the event.
- 9.4 The maximum number of riders in each race shall be four.
- 9.5 Machines and capacities shall be as in current ACU Grass Track Standing Regulations.
- 9.6 Youth riders must only compete against others in their age groups as in Grass Track Standing Regulations.
- 9.7 There must be Marshals on the inside of the track as per Grass Track safety requirements, and red warning lights may only be used as a supplement and not in place of the marshalls' warning flags.
- 9.8 Two WARNING NOTICES (Type A) must be prominently displayed on either side of the track entrance.
- 9.9 PROHIBITED NOTICES must be displayed in areas to inform spectators of safe areas.
- 9.10 No parents or unauthorised persons other than officials shall be allowed on the track or centre green during practice or racing.
- 9.11 No parents and/or spectators other than mechanics or Officials shall be allowed in the Pit area during practice or racing. No riding will be allowed in the pits.
- 9.12 Any rider who causes a race to be stopped will be excluded.
- 9.13 Any rider who breaks the starting tapes or cause unreasonable delay at the start may be excluded by the Referee or Clerk of the Course.
- 9.14 Ambulance and First Aid cover must be in line with ACU Grass Track Standing Regulations.
- 9.15 Track marking and starting gates will be made with white chalk and kept in good condition throughout practice and racing.
- 9.16 With Youth riders, Organisers are to ensure that a run off area is provided on the inside straights so that riders may leave the track during a race. This is particularly required where kerbstones are used on the inside straights.

SECTION 10 TRACK RACING OFFICIALS

QUALIFICATIONS AND CONDITIONS

Track Racing Officials are divided into two categories: those that are Licensed and those that are Registered.

No fees are payable in respect of any Licence or Registration for the appropriate form of identification issued.

LICENCES: Senior Track Racing Officials are required to hold an ACU Licence of the appropriate grade for the performance of their duties.

REGISTRATION: A register is maintained of Officials required to hold a Licence.

TRACK RACING OFFICIALS WHO REQUIRE A LICENCE

	See Note Below	Licence Required	Attendance at Seminar/ Training Session
Clerk of the Course	1	YES	3 YEARS Every third year maximum
Chief Steward	2	YES	3 YEARS Every third year maximum
Chief Technical Officer	3	YES	3 YEARS Every third year maximum
Sound Inspector		YES	3 YEARS Required for first issue only
Measurer	4	YES	3 YEARS Required for first issue only

Clubs and Centres shall only nominate candidates whose aptitude and integrity for the position they can fully justify. Official ACU approval and the issue of a Licence is only after the candidates have proved to be competent according to the special requirements for each discipline. The respective Committees and Panels organise seminars that are compulsory for certain Officials. A Licence is valid for 3 years.

Note 1 Clerk of the Course

Grades – Track Racing

Restricted/Centre must undergo training at a seminar by a National Clerk of the Course.

National must attend a seminar organised by the Track Racing Committee.

International must attend a seminar organised by the FIM.

Note 2 Chief Steward Grading

Restricted/Centre will be appointed by the Centre as the Permit Issuing Authority.

International/National will be appointed by the Track Racing Committee as the Permit Issuing Authority.

Note 3 Chief Technical Official. Will be licenced by the Technical Panel to be in charge of the Technical Control at an event. The Technical Panel may restrict the disciplines of licence holders.

Note 4 Measurer. The Measurer is required for ACU National Championships and National status events. The Licence is issued by the Technical Panel and may be restricted by discipline.

LICENCE FEES: All licences will be issued, free of charge, for a period of three years.

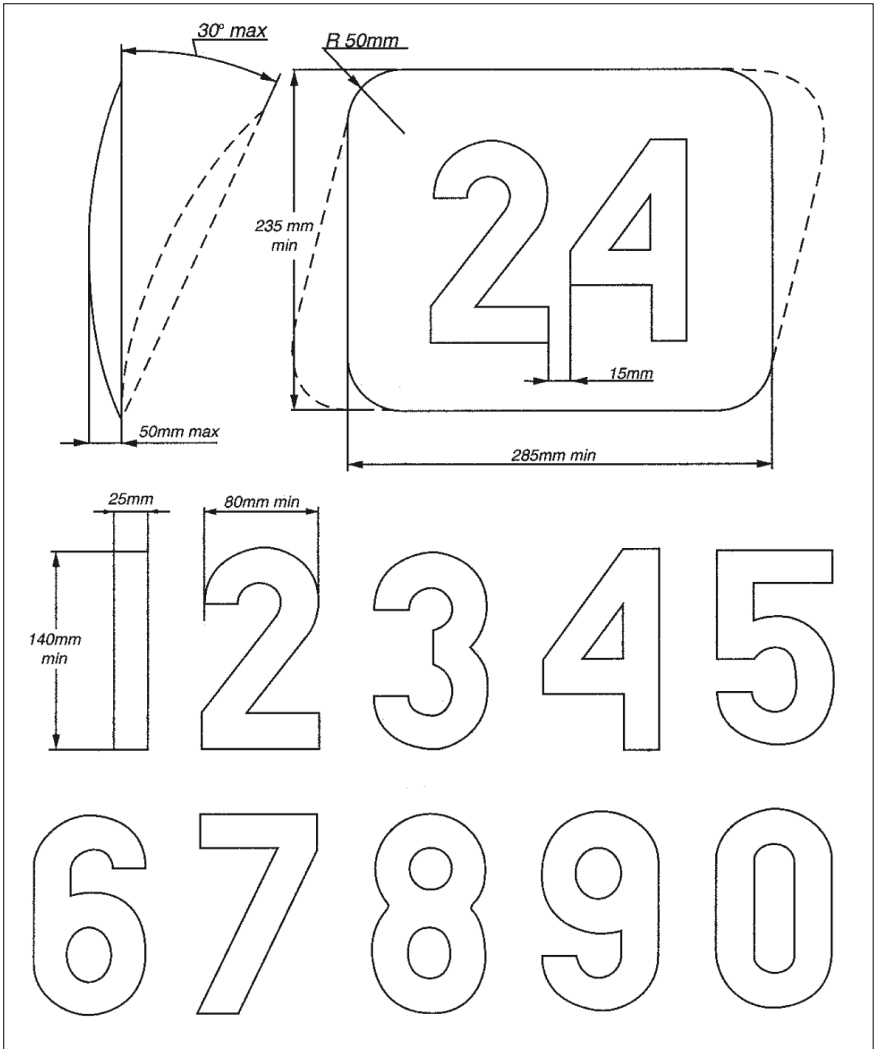
TRACK RACE OFFICIALS WHO DO NOT REQUIRE A LICENCE

	See Note Below	Licence Required	Attendance at Seminar/ Training Session
Incident Officer	1	No	May attend Clerk of the Course seminar at ACU HQ for information purposes.
Secretary of the Meeting	2	No	Will receive training at meetings.
Technical Official		No	Will receive training via the Chief Technical Officer at meetings. May attend Regional training seminars.
Club Stewards	3	No	May attend Regional or ACU HQ seminars for information purposes.
Chief Marshal		No	May receive training and mentoring by the Clerk of the Course.
Marshal		No	May receive training and mentoring by the Clerk of the Course.
Medical Officer		No	None required.

All other Technical Officials, Race Day Officials (e.g. Secretary of the Meeting, Incident Officer, Club Stewards) and Marshals may be registered, free of any charge. All such Officials may or may not be required to attend a seminar. Registration will be renewed annually. Registered Officials and Marshals will receive an appropriate form of identification from the ACU.

- Note 1 Incident Officer.** Will collate all information and documentation, and prepare reports relating to serious accidents and to all incidents involving Officials or Spectators.
Note: A Deputy Clerk of the Course may undertake these duties. An Incident Officer may be nominated to attend a Clerk of the Course seminar to assist with these duties.
- Note 2 Secretary of the Meeting.** Will be responsible for all administration connected with the organisation of a meeting.
- Note 3 Club Stewards.** Will together with the Chief Steward form the judicial authority over the running of the meeting.

A Rider Liaison Officer may be appointed to assist the Clerk of the Course. It is recommended that they should hold at least a Regional Clerk of the Course licence.



Road Racing

SECTION 1 MEETINGS

1.1	Categories of Meetings	262
1.2	International	262
1.3	European Open	262
1.4	National	262
1.5	Open	262
1.6	Restricted	262
1.7	Eligibility of Foreign Riders in Open and Restricted Meetings	263
1.8	Practice Meetings and Test Days	263
1.9	Conditions for Road Race Meetings	263
1.10	Force Majeure	263

SECTION 2 LICENCES – COMPETITORS

2.1	General	263
2.2	Grades	263
2.3	Lapsed Licences	264
2.4	Capacity and Licence Restrictions	265
2.5	TT Course Licence	266

SECTION 3 LICENCES AND REGISTRATIONS – OFFICIALS

3.1	Qualifications and Conditions	267
3.2	Road Race Officials who require a Licence	267
3.3	Grades for Clerk of the Course	267
3.4	Road Race Officials who do not require a Licence	268

SECTION 4 PRACTICE

4.1	Time must be put aside for the practice sessions and these must be defined in the Supplementary Regulations for the meeting.	269
-----	--	-----

SECTION 5 GRID POSITIONS

5.1	Positions	269
5.2	Timed Practice	269
5.3	Balloted	269
5.4	Allocated	269

SECTION 6 START PROCEDURES

6.1	Group Starts	270
6.2	Interval Starts	270
6.3	Clubmans Races	270
6.4	National Races	270
6.5	Anticipation of the Start	271

SECTION 7 FLAGS AND LIGHTS

7.1	Flags and Lights used to provide Information	271
7.2	Flags used to convey Information and Instructions	272
7.3	Flag Dimensions	273
7.4	Flag Colours	273
7.5	Flag Marshals Posts	274

7.6	Marshals Overalls	274
-----	-------------------	------------

SECTION 8 BEHAVIOUR DURING PRACTICE AND RACE

8.1	Riders must obey the flag signals, the light signals, and the boards which convey instructions. Any infringement to this rule will be penalised according to the provisions of Chapter 7.	274
8.2	Protests	275

SECTION 9 NEUTRALISATION OF RACES – SAFETY CAR 275

SECTION 10 INTERRUPTION OF A RACE 276

SECTION 11 RE-STARTING A RACE THAT HAS BEEN INTERRUPTED 277

SECTION 12 FINISH OF A RACE AND RACE RESULTS

12.1	Finish of a Race	278
12.2	The Chequered Flag will continue to be displayed to the subsequent Riders	278
12.3	Race Results	278

SECTION 13 SAFETY

13.1	Medical Services – Minimum requirements for Road Race Meetings	279
13.2	Track Safety Precautions	280
13.3	Fire Extinguishers	280
13.4	Fire Extinguishers at Circuits	280
13.5	Warning and Prohibition Signs at Circuits	281
13.6	Declaration – Admission Tickets, Armbands and Passes	281
13.7	Declaration on the Official Programme	281
13.8	Signing On	282

SECTION 14 GENERAL TECHNICAL SPECIFICATIONS

14.1	Protective Clothing	282
14.2	Helmets	282
14.3	Identification Discs	282
14.4	Body Jewellery	283
14.5	Engine and Frame Numbers	283
14.6	Fuel	283
14.7	Number Plates	283
14.8	Control of Exhaust Sound Level	284
14.9	Exhaust Pipes	286
14.10	Superchargers/Turbochargers	286
14.11	Handlebars	286
14.12	Clutch and Brake Levers	286
14.13	Mudguards	287
14.14	Open Transmission Guards	287
14.15	Footrests	287
14.16	Oil Supply Pipes	287
14.17	Oil Catch Tanks & Breather Systems	287
14.18	Petrol and Oil Filler Caps	287
14.19	Petrol Tank Breathers	288
14.20	Construction	288
14.21	Additives to Water in Radiators	288
14.22	Brakes	288

14.23	Technical Control	288
-------	-------------------	-----

SECTION 15 SOLO SPECIFICATIONS

15.1	Size of Wheel Rims and Tyres	288
15.2	Type of Tyres including the use of Slick Tyres in Club Meetings	289
15.3	Treaded Tyres	289
15.4	Tubeless Tyres	289
15.5	Slick Tyres	289
15.6	Streamlining	289
15.7	Inclination	290
15.8	Brakes	290
15.9	Oil Containment	290

SECTION 16 SOLO ELIGIBILITY SPECIFICATIONS

16.1	ACU Production Classes	290
16.2	Formula Specifications	291
16.3	ACU Supersport Regulations	291
16.4	ACU/FIM Specifications for Superbike	291
16.5	ACU Stocksport/Superstock Regulations	291
16.6	ACU Superstock 600	291

SECTION 17 SIDECAR SPECIFICATIONS

17.1	GROUPS B1 AND B2 – General	292
17.2	GROUP B3 (CYCLECARS). – General	294
17.3	GROUP B1, B2 and B3 Technical Specifications	294

SECTION 18 FORMULA 600 AND FORMULA II SIDECAR SPECIFICATIONS

18.1	Engine Types	296
18.2	General Construction	297
18.3	Engine Position	298
18.4	Dimensions	298
18.5	Streamlining and Bodywork	298
18.6	Passenger Platform	299
18.7	Air Intakes	299
18.8	Oil and Coolant Containment	299
18.9	Airbox	300
18.10	Oil Catch Tanks	300
18.11	Wheels	300
18.12	Steering	300
18.13	Throttle Controls	300
18.14	Control Levers	300
18.15	Brakes	300
18.16	Tyres	301
18.17	Mudguards and Wheel Protection	301
18.18	Exhaust Pipes	301
18.19	Fuel Tank	301
18.20	Battery	301
18.21	Cut out Device	301
18.22	Red Warning Light	302
18.23	Traction Control	302

18.24	Rear View Mirror	302
-------	------------------	------------

SECTION 19 FORMULA 1 SIDECAR SPECIFICATION

19.1	Engine Specifications	302
19.2	Engine	303
19.3	Dimensions	303
19.4	Steering	303
19.5	Suspension	303
19.6	Wheel Protection	303
19.7	Exhaust	303

SECTION 20 PARADES AT ACU/MCRCB ROAD RACE MEETINGS

20.1	Introduction	304
20.2	Organisation	304
20.3	PR5 – Spectator Parades – Speed Controlled	304
20.4	PR6 Classic Machine and/or Rider Parades	305

SECTION 21 ORGANISATION OF OFFICIAL TEST DAYS

21.1	Organisation	307
21.2	Insurance	307
21.3	Medical Cover	307
21.4	Officials	307
21.5	Riders	308
21.6	Junior Riders	308
21.7	Technical Control	308
21.8	On Circuit Control	308
21.9	Circuit	308
	Road Race Motorcycle	308

SECTION 1 MEETINGS

1.1 CATEGORIES OF MEETINGS

- International Meetings
- European Open Meetings
- National Meetings
- Open Meetings
- Restricted Meetings

Permits for all Road Race competitions are issued by ACU Headquarters

1.2 INTERNATIONAL

1. The Permit shall be issued by the ACU Headquarters for a meeting inscribed on the International Calendar of the FIM and having an FIM International Meeting Number (IMN).
2. An International meeting is open to Entrants and Riders of more than one nation who must hold an International Licence or a National Licence issued by the ACU valid for the particular meeting concerned.
3. All riders not holding a Licence issued by the ACU or SACU must carry proof of Insurance and a written Start Permission document issued by their FMN.

Note: This includes all riders holding a licence issued by the MCUI.

1.3 EUROPEAN OPEN

1. The permit shall be issued by ACU Headquarters for a meeting inscribed on the Calendar of the Union of European Motorcycling (UEM) and having a European Meeting Number (EMN).
2. A European Open meeting is open to Entrants and Riders of more than one European nation who must hold the appropriate Competition Licence valid for the particular meeting concerned.
3. All riders not holding a Licence issued by the ACU or SACU must carry proof of Insurance and a written Start Permission document issued by their FMN.

Note: This includes all riders holding a licence issued by the MCUI.

1.4 NATIONAL

1. The Permit shall be issued by the ACU Headquarters.
2. A National meeting is open to Entrants and Riders who are the holders of a National or International Licence valid for the particular meeting concerned issued by any Federation.
3. All riders not holding a Licence issued by the ACU or SACU must carry proof of Insurance and a written Start Permission document issued by their FMN.

Note: This includes all riders holding a licence issued by the MCUI.

1.5 OPEN

1. An Open permit is issued by ACU Headquarters.
2. An Open meeting is open to Entrants and Riders who hold a valid ACU or SACU Licence for the meeting concerned.

1.6 RESTRICTED

1. A Restricted Permit is issued by ACU Headquarters.
2. A Restricted meeting is open to Entrants and Riders who hold a current ACU or SACU Licence valid for the meeting concerned.
3. The Supplementary Regulations issued for the event must specify all restrictions and requirements of eligibility.

1.7 ELIGIBILITY OF FOREIGN RIDERS IN OPEN AND RESTRICTED MEETINGS

1. The Supplementary Regulations issued for the event must specify the licence qualification and eligibility requirements of foreign riders.
2. All riders must have a current Licence and Start Permission from their own Federation valid for the event.

1.8 PRACTICE MEETINGS AND TEST DAYS

1. Permits for Practice Meetings and Test Days may be issued on application to the Permit Issuing Authority.
2. No such event may be held unless the appropriate Permit and Insurance has been issued.

1.9 CONDITIONS FOR ROAD RACE MEETINGS

1. The ACU Road Race Committee must approve the Organiser.
2. The Venue must hold a current Track Licence or Track Certificate issued by the ACU Road Race Committee.
3. The ACU Secretariat must approve the Supplementary Regulations for the event and issue an ACU Permit prior to publication and circulation.
4. For all ACU Championships an ACU decal, supplied by the ACU Secretariat, must be displayed on the front number plate of each machine. Any rider not complying will be disqualified from the results of the race.
5. The Race Control must remain operative with all equipment in place until the end of the period provided for the lodging of a protest, and all officials and marshals must remain at the circuit and available to the Clerk of the Course and the Stewards during that period.

1.10 FORCE MAJEURE

The Clerk of the Course has the right to alter, abandon, cancel or postpone all or any part of a meeting for reasons of force majeure. Such a decision shall not be subject to any protest.

SECTION 2 LICENCES – COMPETITORS**2.1 GENERAL**

1. To participate in road race events an annual Licence issued by the ACU is required. Residents in Scotland apply to the Scottish ACU.
2. First time applicants are required to demonstrate an ability to control a motorcycle and complete the classroom based ACU Competitor Training Course (CTC). Full details are contained in the “Road Race Licence Application Pack” obtainable from the ACU Road Race Department.
3. Novice/Intermediate Novice competitors are required to wear an Orange Vest obtainable from the ACU Licence Department.
4. Sidecar passengers must hold a valid passenger licence.
5. The parent or Legal Guardian must accompany all competitors, or participants in parades, under 18 years of age to every meeting. This person must attend at signing-on, any riders briefings that take place and be present throughout the meeting.
6. Any competitor who in any ACU or MCRCB Permitted Event participates on a machine for which he/she is not eligible through age or licence restrictions to take part on will be penalised by a fine of £500.00 and a suspension for one year from the date of the hearing.

2.2 GRADES

1. **Parade** A licence facilitating participation in non-competitive parades.
2. **Novice**. Entry level for all first time applicants, an Intermediate Novice licence will be issued to

riders who hold a current Full Class “A” DVLA Licence. Novice Licence holders are required to wear an Orange Vest obtainable from the ACU Licence Department.

3. **Clubman.** Novice/Intermediate Novice licence holders who have obtained Satisfactory signatures on their record card for a minimum of 10 separate Race Days at 3 different circuits during the current year and preceding 2 years may apply to upgrade to Clubman. To obtain a Satisfactory signature Competitors must appear in the official race results as a finisher of a race in accordance with Article 12.3.3 of the Road Race Standing Regulations. Only one signature per race day. The competitor record card together with copies of the official result sheets for the signatures should be submitted to the ACU Road Race Department.
4. **National.** Clubman competitors who have obtained Upgrade signatures for a minimum of 10 separate Race Days at 3 different circuits during the current year and preceding 2 years may apply to be upgraded to a National Licence. To obtain an Upgrade signature Competitors must appear in the official result sheets as having finished the race within 110% of the winners time for the race and having completed the same number of laps as the winner. Only one signature per race day. The competitor record card together with copies of the official result sheets for the signatures should be submitted to the ACU Road Race Department
National Licence holders may apply for Start Permission to compete abroad.
5. **International** National licences holders who have held their National Licence for 12 months and who have competed at a minimum of 6 meetings in the previous 12 months may apply for an FIM Non-Championship International licence. The Competitor record card and/or copies of result sheets should be submitted to the ACU Road Race Department.
A satisfactory medical examination is required before an FIM Non-Championship International licence can be issued (Eye Sight and Medical Report sections of the ACU Competition Licence Application Form).
6. **International Championship** National licences holders who have held their National Licence for 12 months and who have competed at a minimum of 6 meetings in the previous 12 months may apply for a Championship licence as described in the appropriate Sporting Code of the UEM or FIM. The Competitor record card and/or copies of result sheets should be submitted to the ACU Road Race Department.
A satisfactory medical examination is required before an International Championship Licence can be issued (Eye Sight and Medical Report sections of the ACU Competition Licence Application Form).
7. A Licence can be upgraded at any time during the year.

2.3 LAPSED LICENCES

Licence holders that have allowed their licences to lapse for more than 3 years will be required to satisfactorily complete the ACU pre-competition training course after which a clubman licence may be issued.

2.4 CAPACITY AND LICENCE RESTRICTIONS

SOLO MACHINES

Age	Licence	Machine
11 Years	Novice or Clubman or National	Up to 125cc Automatic Production Scooter
12 years	Novice or Clubman or National	Up to 80cc GP specification machine (treaded tyres) Up to 125cc Production based machine Up to 250cc single cylinder 4 stroke Production machines (restricted)
13 Years	Novice or Clubman or National	Up to 125cc Automatic Production Scooter Up to 80cc GP specification machine Up to 125cc Production based machine Up to 250cc single or twin cylinder 4 stroke Production machines (restricted)
13 years	National	Up to 125cc GP specification machine Up to 250cc single cylinder Production based machine Up to 250cc 4-stroke single cylinder machine (unrestricted)
14 years	Novice or Clubman or National	Up to 125cc GP specification machine Up to 250cc single cylinder Production based machine Up to 250cc 4-stroke single or twin cylinder machine (unrestricted)
14 years	National	Up to Formula 400 specification Production based machine Up to 500cc single or twin cylinder 4-stroke machine Up to 650cc twin cylinder 4-stroke Production based machine
15 years	Novice or Clubman or National	Up to Formula 400 specification Production based machine Up to 500cc single or twin cylinder 4-stroke machine Up to 650cc single or twin cylinder 4-stroke Production based machine
16 years	Novice or Clubman or National	Up to Formula 400 specification Production based machine Up to 500cc single or twin cylinder 4-stroke machine Up to 650cc single or twin cylinder 4-stroke Production based machine
16 years	National	Any classic or Vintage machine Up to Formula 600 or Supersport 600 specification machine 675cc 3 cylinder 4 stroke Production based machine Up to 250cc Grand Prix Machine
17 years	Novice or Clubman or National	Any classic or Vintage machine Up to Formula 600 or Supersport 600 specification machine 675cc 3 cylinder 4 stroke Production based machine Up to 250cc Grand Prix Machine
17 years	National	Unlimited capacity machine
18 years	Novice	Any classic or Vintage machine 650cc Up to Formula 600 or Supersport 600 specification machine 675cc 3 cylinder 4 stroke Production based machine Up to 250cc Grand Prix Machine
18 years	Int-Novice** Clubman or National	Unlimited capacity machine

**Intermediate Novice Licence holder with "A" validation for riders holding a Full Class "A" DVLA Licence

SIDECAR AND THREE-WHEELER MACHINES

Age	Licence	Machine
Driver		
17 years	Clubman or National	F2, F350, Classic, Vintage, Morgan Three Wheeler Unlimited 4-stroke or 2-stroke machine
Passenger		
16 Years	Clubman or National	F2, F350, Classic, Vintage, Morgan Three Wheeler Unlimited 4-stroke or 2-stroke machine

PARADE

Age	Licence	Machine
14–70 years	Single Grade	All Classes

2.5 TT COURSE LICENCE

A TT Course Licence (price £25 in addition to any other Licence Fee) issued by the ACU Road Race Department – Rugby is required for all competitors of any Nationality wishing to take part in any event to be held on the TT Mountain Circuit.

1 2012 Isle of Man TT Races

This licence is a requirement for all competitors who wish to take part in the 2012 Isle of Man TT Races.

1. Eligibility: All applicants except holders of an FIM International licence or an MCUI National Licence must provide a satisfactory medical report. (FIM & MCUI licence holders having already supplied such reports)
2. ACU and SACU licence holders must have held a National licence for Road Racing for a minimum of 12 months prior to the closing date for entries.
3. Competitors from other FMNs must have held an FIM International Non-Championship licence for Road Racing for a minimum of 12 months prior to the closing date for entries.
4. Official Result sheets confirming the following requirements must be supplied with the application:
All applicants must have competed satisfactorily in at least 6 Road Race meetings in the 12 months expiring 31 March 2012. Qualifying for the 2011 TT or Manx GP races will count as one meeting and finishing in a 2011 TT or Manx GP race will count as a second meeting. A competitor who competes in both the TT and Manx GP may count a maximum of three results towards the six required results.
5. Closing date for the receipt of completed Licence application forms at ACU House: 14th April 2012.

2 2012 Manx Grand Prix Races

This licence is a requirement for all competitors who wish to take part in the 2012 Manx Grand Prix races.

1. Eligibility: All applicants except holders of an FIM International licence or an MCUI National Licence must provide a satisfactory medical report. (FIM & MCUI licence holders having already supplied such reports)
2. ACU and SACU licence holders must have held a National licence for Road Racing for a minimum of 6 months prior to the start of the event.
3. Competitors from other FMNs must have held a National Licence for Road Racing issued by their FMN for a minimum of 6 months prior to the start of the event.
4. Official Result sheets confirming the following requirements must be supplied with the application:
All applicants must have competed satisfactorily in at least 6 Road Race meetings in the 13 months expiring 30th June 2012. Qualifying for the 2011 TT or Manx GP races will count as

one meeting and finishing in a 2011 TT or Manx GP race will count as a second meeting. A competitor who competes in both the TT and Manx GP may count a maximum of three results towards the six required results.

5. Closing date for the receipt of completed Licence application forms at ACU House: 14th July 2012

SECTION 3 LICENCES AND REGISTRATIONS – OFFICIALS

3.1 QUALIFICATIONS AND CONDITIONS

Road Race Officials are divided into two categories: Those that are Licensed and those that are Registered.

Licences: Senior Road Race Officials are required to hold an ACU Licence of the appropriate Grade for the performance of their duties.

Registration: A Register is maintained of Officials not required to hold a Licence.

3.2 ROAD RACE OFFICIALS WHO REQUIRE A LICENCE

All the following licences are valid for 3 years

	See Note Below	Attendance at Seminar/Training Session
Clerk of the Course	1	Every third year maximum
Chief Steward	2	Every third year maximum
Chief Technical Officer	3	Every third year maximum
Sound Inspector		Required for First Issue only
Measurer	4	Required for First Issue only
Timekeeper	5	Equipment and operators check

ALL LICENCES ISSUED ARE SUBJECT TO THE APPROVAL OF THE ROAD RACE COMMITTEE

Organisers shall only nominate candidates whose aptitude and integrity for the position they can fully justify. Official ACU approval and the issue of a Licence is only after the candidates have proved to be competent according to the special requirements for each discipline. The respective Committees and Panels organise Seminars that are compulsory for certain Officials.

3.3 GRADES FOR CLERK OF THE COURSE

1. Probationary

Any Organiser may nominate a Probationary Clerk of the Course. The Organiser must be able to confirm that a candidate has attended at 10 Race Days in an Official capacity before nominating the candidate to attend a Seminar. A Registered Probationary Official may act as an Assistant to a Clerk of the Course at a Club event.

To upgrade from Probationary to National C a registered official must act as an Assistant to the Clerk of the Course at 10 meetings and be recommended by the Clerk of the Course at each meeting. He must be nominated by an Organiser for a specific appointment at a future event.

2. National Grade C

A Clerk of the Course who may officiate at a Club event where the use of slick tyres has NOT been authorised. May act as Deputy or Assistant Clerk of the Course at below National status events where slick tyres have been authorised.

To upgrade from National C to National B a licence holder must officiate as a Deputy to a National A or National B Clerk of the Course at 10 events and be recommended by the Clerk of the Course at each. He must be nominated by an Organiser to take charge of a specific event where he will be observed by another Senior Official nominated by the Road Race Committee.

3. **National Grade B**

A Clerk of the Course who may officiate at a below National status events where slick tyres HAVE been authorised. May officiate as Deputy to a National Grade A.

To upgrade from National B to National A a Licence holder must officiate as a National B Clerk of the Course at 5 events. He must act as Deputy to a National A Clerk of the Course at 5 events and be recommended by the Clerk of the Course at each. In addition the Road Race, Drag and Sprint Committee may appoint a Senior Official to observe him. He must be nominated by an Organiser to take charge of a specific future event. First appointment must be approved by the Road Race Committee.

4. **National Grade A**

A Clerk of the Course who may officiate at any event held under an ACU Permit. He may officiate as Deputy or Assistant at FIM (Non Championship) event.

Note 1 Clerk of the Course

Age Limits: Licences for Clerks of the Course who have attained their 70th birthday will be reviewed annually. Officials will be required to satisfactorily attend a seminar annually. The issuing of a licence will be subject to Road Race Committee approval.

Note 2 Steward

Grades: There is only one grade of Chief Steward’s Licence for all Road Race disciplines. A Chief Steward of a meeting should not undertake any other duties except Environmental Reporting.

Age Limits: Chief Stewards may not normally officiate beyond the end of the season in which they attain their 70th birthday. The Road Race, Drag and Sprint Committee will review Stewards who reach the age of 70 for appointments on an annual basis.

Club Stewards may carry out other duties at a race meeting but they must not adjudicate on matters where they have a conflict of interest.

Note 3 Chief Technical Officer

The Chief Technical Officer will be licensed by the Technical Panel to be in charge of the Technical Control at an event. The Technical Panel may restrict the disciplines of licence holders.

Note 4 Measurer

The Measurer is required for ACU National Championships and National events. The Licence is issued by the Technical Panel and may be restricted by discipline.

Note 5 Timekeepers

Will be required to pay for their Licence.

Licence Fees: All licences (exception Timekeepers licences) will be issued, free of charge, for a period of three years. No fee will be charged for attendance at Seminars organised by the Road Race Drag and Sprint Committee or the relevant Panel with the exception of FIM Seminars.

3.4 ROAD RACE OFFICIALS WHO DO NOT REQUIRE A LICENCE

	See Note Below	Attendance at Seminar/Training Session
Incident Officer	1 and 4	May attend Clerk of the Course Seminar at ACU HQ for information purposes.
Secretary of the Meeting	2 and 4	Will receive Training at meetings and if required at Regional or ACU HQ Seminars.
Technical Official		Will receive training via the Chief Technical Officer at meetings May attend Regional Training Seminars
Club Stewards	3	May attend Regional or ACU HQ Seminars for information purposes
Chief Marshal		May receive training at ACU HQ or Regional Training Days
Marshal		May receive training at Regional Training days and at meetings via the Chief Marshal
Medical Officer		None required

Registration of the above officials and marshals will be renewed annually. All such Officials will receive an appropriate form of identification from the ACU.

Note 1 Incident Officer

Will collate all information and documentation, and prepare reports relating to serious accidents and to all incidents involving Officials or Spectators.

Note: A Deputy Clerk of the Course may undertake these duties. An Incident Officer may be nominated to attend a Clerk of the Course Seminar to assist with these duties.

Note 2 Secretary of the Meeting

Will be responsible for all administration connected with the organisation of a meeting.

Note 3 Club Stewards

Stewards of the meeting exercise judicial authority over the running of the meeting according to the National Sporting Code and Supplementary Regulations.

Note 4 Incident Officer and Secretary of the Meeting Registration

Currently there is no requirement for these officials to be registered for Road Race Disciplines.

SECTION 4 PRACTICE

4.1 TIME MUST BE PUT ASIDE FOR THE PRACTICE SESSIONS AND THESE MUST BE DEFINED IN THE SUPPLEMENTARY REGULATIONS FOR THE MEETING.

1. Riders will commence practice under the instructions of the Start Officials.
2. The duration of each practice session will commence from the time the pit lane opens and will finish (chequered flag) not less than 10 minutes later.
3. The end of practice will be indicated by the waving of a chequered flag at which time the pit exit will be closed. A rider's time will continue to be recorded until he passes the finish line after the allotted time has lapsed.
4. If practice is interrupted due to an incident or any other reason then a red flag will be displayed at the start line and at marshals posts. All riders must return slowly to the pit lane or as otherwise instructed by the Marshals under the direction of the Clerk of the Course.
5. When the practice is restarted the time remaining will be decided by the Clerk of the Course.

SECTION 5 GRID POSITIONS

5.1 POSITIONS

1. Pole position, and the configuration of the grid, will be determined at the time of the Track Inspection.
2. Grid positions will be established according to the provisions of the Supplementary Regulations.

5.2 TIMED PRACTICE

Where timed practice is used and identical times are recorded by more than one rider in the official qualifying practice session for the race the rider first setting such a time will receive the better starting position.

A qualifying maxima may be specified in the Supplementary Regulations.

5.3 BALLOTTED

Where the Organiser decides that the grid positions will be by ballot this must be conducted by the competitors at the meeting.

5.4 ALLOCATED

Organisers wishing to allocate grid position will specify this and the method to be adopted in the Supplementary Regulations.

SECTION 6 START PROCEDURES

Races may be started by one of the following methods:

6.1 GROUP STARTS

Which include the 45 degree echelon line up known as the Le Mans start.

6.2 INTERVAL STARTS

Where competitors are started individually or in groups at pre-determined intervals.

Starts may be made with engines running or engines stopped. For starts with engines stopped the Supplementary Regulations for the race must specify the authorised method of starting.

6.3 CLUBMANS RACES

1. Riders collect in the Assembly Area and proceed when directed to the Grid to take up their allocated Grid positions.
2. An Official will signal all the Riders to proceed on a warm-up lap (of the circuit being used for the race) by waving a Green Flag. On completion of the warm-up lap the riders each return to their allocated Grid positions.
3. Riders who do not go on to the Grid may join the warm-up lap from the Pit Lane on the instruction of the Officials, but in this case must start the race from the back of the Grid.
4. On the completion of the warm-up lap an Official will display a Red Flag at the front of the Grid.
5. When the grid is re-formed the Official with the Red Flag will leave the Grid indicating to the Riders that the race is about to commence.
6. Any Rider who stalls his engine on the Grid, or who has other difficulties, must remain on his motorcycle and raise an arm. It is not permitted to attempt to delay the start by any other means.
7. A Red light will be displayed for up to 5 seconds. The Red Light will then be extinguished to start the race. Alternatively, the National Flag may be lowered to start the race.
8. After the Riders have passed the exit of the Pit Lane any Riders waiting there may be permitted to join the race at the discretion of the Clerk of the Course and under the instructions of the Officials.
9. Should there be a problem on the Grid, the Starter may display a Yellow Flag or Yellow lights to indicate a delayed start. The Clerk of the Course may decide that the Riders will complete another warm-up lap and the race distance may be reduced.

6.4 NATIONAL RACES

1. Riders proceed as directed to the Grid upon the opening of the Pit Lane and take up their starting positions.
2. Riders take up their allocated positions on the Grid. Riders who encounter technical problems must go to the Pit Lane to make adjustments or to change machines.
3. Two minutes before the start of the race the Starter will signal all the Riders to proceed on a warm-up lap by waving a Green Flag. On completion of the warm-up lap the riders each return to their allocated Grid positions.
4. Riders not going on to the Grid may join the warm-up lap from the Pit Lane on the instructions of the Officials but in this case must start the race from the rear of the Grid.
5. On completion of the warm-up lap an Official will display a Red Flag at the front of the grid.
6. When the Grid is re-formed the Official with the Red Flag will leave the track indicating to the Riders that the race is about to commence.
7. Any Rider who stalls his engine on the Grid or who has other difficulties must remain on his motorcycle and raise an arm. It is not permitted to delay the start by any other means.

8. A Red Signal light will be displayed for up to 5 seconds. The Red Light will then be extinguished to start the race. Alternatively, the National Flag may be lowered to start the race.
9. After the Riders have passed the exit to the Pit lane any Riders waiting there may be permitted to join the race at the discretion of the Clerk of the Course and under the instructions of the Officials.
10. Should there be a problem on the Grid, the Starter may display a Yellow Flag or Yellow lights to indicate a delayed start. Riders will stop engines. One assistant per team may enter the grid to assist the competitors. The Rider(s) responsible for the delay will start from the back of the Grid. The Riders will complete another warm-up lap and the race distance will be reduced by one lap.

6.5 ANTICIPATION OF THE START

1. Anticipation of the Start is defined as when the motorcycle is moving forward when the Red Lights are on.
2. Any Competitor who takes up an incorrect Grid position will be judged to have anticipated the Start.
3. The Clerk of the Course will award a Time Penalty of up to 20 seconds to any Rider who anticipated the Start. The decision as to an anticipated Start is to be accepted as a Matter of Fact from which there is no right of Protest.

SECTION 7 FLAGS AND LIGHTS

Marshals and other officials display flags or lights to provide information and/or convey instructions to the riders:

7.1 FLAGS AND LIGHTS USED TO PROVIDE INFORMATION

1. NATIONAL FLAG OR START LIGHTS

1. Signal for the Start of the Race

2. GREEN FLAG

1. The track is clear
2. This flag will be shown waved by the starter to signal the start of the warm up lap.
3. This flag must be shown motionless at each flag marshal post for the first lap of each practice session and of the warm up, for the sighting lap(s) and for the warm up lap.
4. This flag must be shown motionless at the flag marshal post immediately after the incident that necessitated the use of one or more yellow flags.

3. YELLOW AND RED STRIPED FLAG

1. Oil, water or other substance is affecting adhesion on this section of the track.
2. This flag must be shown motionless at the flag marshal post.

4. BLUE FLAG

1. National events and above. The use of this flag is optional at meetings of lower than National Status.
2. May be shown waved, this flag indicates that a faster rider is about to overtake.
3. Shown waved at the flag marshal post, this flag indicates to a rider that he is about to be overtaken.
4. During the practice sessions, the rider concerned must keep his line and slow down gradually to allow the faster rider to pass him.
5. During the race, the rider concerned is about to be lapped. He must allow the following rider(s) to pass him at the earliest opportunity.

5. YELLOW FLAG WITH BLACK DIAGONAL CROSS

1. This flag will be shown motionless at the finish line at track level to indicate the commencement of the final lap of the race.

6. CHEQUERED BLACK AND WHITE FLAG

1. This flag will be waved at the finish line on track level to indicate the finish of race or practice session.

7. CHEQUERED BLACK AND WHITE FLAG PLUS BLUE FLAG

1. The chequered black/white flag will be waved together with the blue flag presented motionless at the finish line on track level when a rider(s) precedes closely the leader during the final lap before the finish line.

8. ADDITIONAL FLAGS – THE ISLE OF MAN TT MOUNTAIN COURSE

1. White Flag with Black “V”
Indicates visibility is reduced on the part of the circuit ahead.
2. White Flag with Black “Sun”
Indicates dazzle from the sun on the part of the circuit ahead.

7.2 FLAGS USED TO CONVEY INFORMATION AND INSTRUCTIONS**1. YELLOW FLAG AND OR YELLOW LIGHTS**

1. During the final inspection lap (by the Stewards and other Officials) this flag must be waved at the exact place where the flag marshal will be positioned during the practices, warm ups and races.
2. Shown waved at each row of the starting grid, this flag indicates that the start of the race is delayed.
3. When shown stationary at the flag marshal post this flag indicates danger ahead, riders must slow down. No overtaking is permitted
4. When shown waved at the flag marshal post this flag indicates that the danger is more imminent. The riders must be prepared to stop.
5. Overtaking is forbidden up until the point where the green flag is shown.
6. Any infringement of this rule during a practice session will result in the cancellation of the time of the lap during which the infraction occurred.
7. In case of infringement of this rule during the race, a time penalty will be imposed. In both cases, further penalties (such as fine – suspension) may also be imposed.

Note: Following an incident during a practice or race the Yellow Flags are usually displayed as follows:

1. Shown waved at the flag marshals’ post immediately prior to the incident.
2. Shown stationary at the flag marshals’ post preceding the post at which it is being shown waved.
3. Additional flags may be shown at the request of the Clerk of the Course.

2. WHITE FLAG

1. National events only. Not permitted at Club level.
2. An intervention vehicle is on the track.
3. Waved at the flag marshal post, this flag indicates that the rider will encounter the vehicle in the current section of the track.
4. It is forbidden for a rider to overtake another rider during the display of the white flag.
5. Overtaking the intervention vehicle is permitted.

6. As soon as such a vehicle stops on the track, the white flags must be maintained and the yellow flags must also be presented.

Note: At a meeting of below National status no Ambulance or Fast Intervention Vehicle will be allowed to be moved onto the course or its immediate verges whilst racing or practice is in progress on any part of the circuit. This means that in circumstances when an Ambulance or Fast Intervention Vehicle is required on the circuit, the Red Flags must first be displayed and the race or practice brought to an actual and effective halt before any vehicle is displayed.

3. WHITE FLAG WITH RED DIAGONAL CROSS

1. Indicates that a Safety Car (Pace Car) is on the Track. Riders must slow down, overtaking is prohibited.

4. RED FLAG AND RED LIGHTS

1. When the race or practice is being interrupted. On instructions from the Clerk of the Course Red Lights and/or waved Red Flags will be displayed around the circuit. Riders must stop racing/practice and proceed as instructed by the Marshals
2. Any infringement of this rule will be penalised with one of the following penalties: fine – disqualification – withdrawal of Championship points – suspension.
3. The red flag will be shown motionless on the starting grid at the end of the sighting lap(s) and at the end of the warm up lap.
4. The red flag may also be used to close the track.
5. On the Start Grid a Red Signal Lights(s) will be displayed for up to 5 seconds. When the Red Light(s) are extinguished the race will start.

5. BLACK FLAG

1. This flag is used to convey instructions to one rider only and is displayed motionless together with the rider's number.
2. The rider must stop at the pits at the end of the current lap and cannot restart.
3. Any infringement of this rule will be penalised with one or more of the following penalties: fine – disqualification – withdrawal of Championship points – suspension.

6. BLACK FLAG WITH ORANGE DISK (RADIUS 40 CM)

1. This flag is used to convey instructions to one rider only and is displayed motionless together with the rider's number.
2. This flag informs the rider that his motorcycle has mechanical problems likely to endanger himself or others, and that he must immediately leave the track.
3. Any infringement of this rule will be penalised with one or more of the following penalties: fine – disqualification – withdrawal of Championship points – suspension.

7.3 FLAG DIMENSIONS

The flag dimension should be approximately 80cms in the vertical and 100cms in the horizontal.

7.4 FLAG COLOURS

The Pantones for the colours are as follows:

Orange:	Pantone 151C
Black:	Pantone Black C
Blue:	Pantone 286C or 298C
Red:	Pantone 186C
Yellow:	Pantone Yellow C
Green:	Pantone 348C

7.5 FLAG MARSHALS POSTS

The position of the Flag Marshals Posts will be fixed during the ACU Track Inspection.

7.6 MARSHALS OVERALLS

It is recommended that Marshals overalls be Orange (Pantone 151C) or white in colour. Waterproofs should be of the same colour or transparent.

SECTION 8 BEHAVIOUR DURING PRACTICE AND RACE

8.1 RIDERS MUST OBEY THE FLAG SIGNALS, THE LIGHT SIGNALS, AND THE BOARDS WHICH CONVEY INSTRUCTIONS. ANY INFRINGEMENT TO THIS RULE WILL BE PENALISED ACCORDING TO THE PROVISIONS OF CHAPTER 7.

1. Riders must ride in a responsible manner which does not cause danger to other competitors or participants, either on the track or in the pit-lane. Any infringement of this rule will be penalised with one of the following penalties:
fine – time penalty – disqualification – withdrawal of Championship points – suspension.
2. Riders should use only the track and the pit-lane. However, if a rider accidentally leaves the track then he may rejoin it at the place indicated by the marshals or at a place which does not provide an advantage to him. Any infringement of this rule during the practices or warm up will be penalised by the cancellation of the lap time concerned and during the race, by a time penalty.
Further penalties (such as fine – disqualification – withdrawal of Championship points) may also be imposed.
3. Any repairs or adjustments along the race track must be made by the rider working alone with absolutely no outside assistance. The marshals may assist the rider to the extent of helping him to lift the machine and holding it whilst any repairs or adjustments are made.
The marshal may then assist him to re-start the machine.
4. If the rider intends to retire, then he must park his motorcycle in a safe area as indicated by the marshals.
5. If the rider encounters a problem with the machine which will result in his retirement from the practice or the race, then he should not attempt to tour at reduced speed to the pits but should pull off the track and park his machine in a safe place as indicated by the marshals.
6. Riders are not permitted to return slowly to the pits for any reason during practice or racing.
7. Riders may enter the pits during the race, but taking the motorcycle inside the pit box is not permitted. Any infringement of this rule will be penalised with a disqualification.
Riders who stop their engines in the pits may be assisted to re-start their motorcycle by the mechanics.
8. Riders are not allowed to transport another person on their machine or to be transported by another rider on his machine.
9. Riders must adopt a position with their feet on the footrests.
10. Riders who fall from their machine are not permitted to continue with the practice or race until passed fit by the Medical Officer and the machine re-inspected by technical control. Any infringement of this rule will result in the rider being disqualified from the remainder of the practice session or race and may result in further penalties.
11. Riders must not ride or push their motorcycles in the opposite direction of the circuit, either on the track or in the pit lane, unless doing so under the direction of an Official.
12. No signal of any kind may pass between a moving motorcycle and anyone connected with the motorcycle's entrant or rider, save for the signal from the time keeping transponder, or legible messages on a pit board or body movements by the rider.
Automatic timing devices, provided they do not disrupt official timekeeping methods, are not considered as telemetry.

13. The carrying of on board cameras is only permitted with the prior approval, in writing of the Clerk of the Course. The installation of the camera must be approved by the Chief Technical Officer.
14. A speed limit may be imposed in the Pit Lane.
 1. Any rider found to have exceeded the limit during the practice will be subject to a penalty as described in the Supplementary Regulations.
 2. Any rider who exceeds the pit lane speed limit during a race will be penalised with a time penalty as described in the Supplementary Regulations.
 3. The Clerk of the Course must communicate the offence to the pit of the rider.
15. In the interest of safety, a rider may not stop his machine on the racing surface during the slow down lap, (exception see Art 8.17) when returning to the pits after the chequered flag.
16. Stopping on the track during practices and races is forbidden. (exception see Art 8.17)
17. During the practice sessions and warm ups, practice starts are permitted, when it is safe to do so, at the pit lane exit before joining the track and after the chequered flag is shown at the end of practice sessions and warm ups, when it is safe to do so. These practice starts must take place off the racing line.
18. The spinning of rear wheels (burn-outs) is strictly forbidden. Breach of this rule will result in a penalty of disqualification.
19. Any competitor who in any ACU or MCRCB Permitted Event participates on a machine for which he is not eligible through age or licence restrictions will be penalised by a fine of £500.00 and a suspension for one year from the date of the hearing.

8.2 PROTESTS

1. Any Rider, Passenger, Entrant or Official licenced by the ACU affected by a decision taken during a meeting held under an ACU Permit has the right to protest against that decision.
2. No protest may be lodged against a decision of statement of fact of the Race Direction to inflict or not:
 - A time penalty
 - A change of position
 - A ride through
 - A disqualification from the practice sessions or races by means of a black flag or black flag with orange disc.
 - A penalty for speeding in the pit lane.

SECTION 9 NEUTRALISATION OF RACES – SAFETY CAR

A compulsory riders briefing on these Regulations must be conducted by the Clerk of the Course or his Deputy prior to any race in which the use of Safety Cars is intended. The Safety Cars if they are to go on the track must be equipped with Yellow Flashing lights. The words "Safety Car" should be clearly indicated on the back and the sides of the car. The Driver of the Safety Car should be the holder of an ACU or FIM Clerk of the Course or Competition Licence for Road Racing, a MSA Competition Licence or an ARDS Licence. All "Safety Car" drivers must be assisted in the car by a Race Official who is in constant contact with the Clerk of the Course.

If during a race of 20 miles or more an incident other than rain puts at risk the safety of the competitors and renders impossible the normal progress of the competition the Clerk of the Course (Grade National A or above or of Grade National B with the prior individual approval of the Road Race Committee) may decide to neutralize the race.

The following procedure will be adopted:

1. A White Flag with a Red Diagonal Cross must be displayed at the selected Marshals Posts during the whole of the neutralisation period.
2. A White Board showing the words "Safety Car" will be displayed at the Start Line during the whole of the neutralisation period.

3. Riders must immediately slow down. Overtaking is forbidden. The Track Marshals will record all infringements and report them to the Clerk of the Course.
4. The pit lane exit will be closed to competitors.
5. When the leading competitor approaches the start line at the end of the lap that the neutralisation was decided a "Safety Car" equipped with two flashing Yellow Lights on the roof will enter the track with two flashing lights switched on.
6. The competitors will end up in single file behind the "Safety Car" without overtaking it.
7. Competitors may now enter the pits but all other rules must be complied with.
8. After stopping at the pits competitors must line up at the pit lane exit and must only rejoin the circuit when instructed to do so by the official with a Green Flag or when the Green Light at that location is switched on. These instructions will be given 10 seconds after the last competitor in line behind the "Safety Car" has passed that point. Competitors must join the back of the line and MUST NOT overtake. The pit lane exit will then be closed and competitors must wait for the next lap.
9. During the last lap of the neutralisation period the "Safety Car" will switch off the Lights on the roof to indicate to the competitors that the "Safety Car" will enter the pit lane at the end of that lap and the race will resume.
10. When the "Safety Car" has left the track overtaking is forbidden up until the start line, where a Green Flag will be waved and the White Flags with the Red Diagonal Cross immediately withdrawn.
11. The pit lane exit will then be permanently re-opened.
12. The race will continue normally.
13. Unless otherwise decided by the Clerk of the Course, each lap completed by the "Safety Car" will be counted as a race lap. A Board displaying the new actual number of laps remaining will be displayed on the start line when the green flag is waved. If the race is eventually stopped under SR 10.1 whilst the "Safety Car" is deployed the result will be according to the position at the last completed lap before the "Safety Car" was introduced.
14. No Protest may be lodged against the decision of the Clerk of the Course regarding the number of laps remaining in order to complete the race.
15. All other rules of the race must be observed.
16. **Exceptions – Clubman Endurance races only**
 1. In Clubman Endurance races, the Clerk of the Course is authorised to deploy the Safety Car at the earliest convenient moment irrespective of the position of each rider in the race.
 2. A Fast Intervention Vehicle may be despatched immediately ahead of the Safety Car
 3. No Protest may be lodged against the effect of any laps lost or gained in respect of Articles 16.1 and 16.2 mentioned above

SECTION 10 INTERRUPTION OF A RACE

10.1 IF THE CLERK OF THE COURSE DECIDES TO INTERRUPT A RACE DUE TO CLIMATIC CONDITIONS OR SOME OTHER REASON, THEN RED FLAGS WILL BE DISPLAYED AT THE FINISH LINE AND AT ALL FLAG MARSHALS' POSTS.

1. Riders must immediately slow down and return to the pit lane, or as directed by the marshals upon instructions from the Clerk of the Course.
2. Only riders still racing when the red flag is displayed will be counted as finishers.
3. The results will be the results taken at the last point where the leader and all other riders on the same lap as the leader had completed a full lap without the red flag being displayed calculated as in the principle set out in the following example:
Example of a race consisting of 30 laps:
If a Red Flag is shown when the leader is on his 10th lap after completing his 9th lap and all

other riders have not completed the 9th lap, then the race result will be 8 laps completed, and the second part will consist of 22 laps.

If a Red Flag is shown when the leader and all other riders on the same lap as the leader are on the 10th lap after completing the 9th lap, the race result will be 9 laps completed and the second part will consist of 21 laps.

Exception: if the race is interrupted after the chequered flag, the following procedure will apply:

4. For all the riders to whom the chequered flag was shown before the interruption, a partial classification will be established at the end of the last lap of the race.
5. For all the riders to whom the chequered flag was not shown before the interruption, a partial classification will be established at the end of the penultimate lap of the race.
6. The complete classification will be established by combining both partial classifications as per the lap/time procedure.
7. If the results calculated show that less than three laps have been completed by the leader of the race and by all other riders on the same lap as the leader, then the race will be null and void and a completely new race will be run. If it is found impossible to re-start the race, then it will be declared cancelled and the race will not count for any Championship.
8. If three laps or more have been completed by the leader of the race, and all other riders on the same lap as the leader, but less than two-thirds of the original race distance, rounded down to the nearest whole number of laps, then the race will be restarted. If it is found impossible to restart the race, then the results will count and half points will be awarded in any Championship.
9. If the results calculated show that two-thirds of the original race distance rounded down to the nearest whole number of laps have been completed by the leader of the race and by all the other riders on the same lap as the leader, then the race will be deemed to have been completed and full Championship points will be awarded.
10. **Exception:** Where a race is interrupted at a meeting of below National Status the Clerk of the Course is permitted to decide that the race has been completed or to run a new race over a distance appropriate to the prevailing conditions.

SECTION 11 RE-STARTING A RACE THAT HAS BEEN INTERRUPTED

11.1 IF A RACE HAS TO BE RE-STARTED, THEN IT WILL BE DONE AS QUICKLY AS POSSIBLE, CONSISTENT WITH TRACK CONDITIONS ALLOWING. AS SOON AS THE RIDERS HAVE RETURNED TO THE PITS THE CLERK OF THE COURSE WILL ANNOUNCE A TIME FOR THE NEW START PROCEDURE TO BEGIN WHICH, CONDITIONS PERMITTING, SHOULD NOT BE LATER THAN 10 MINUTES AFTER THE INITIAL DISPLAY OF THE RED FLAG.

1. The results of the first race must be available to the riders before the second part of a race can be started.
2. The start procedure will be identical to a normal start with sighting lap(s), warm-up lap etc.
3. Conditions for the re-started race will be as follows:
 1. In the case of the situation described in Article 10.7 above (less than 3 laps completed) All riders may re-start.
 2. Motorcycles may be repaired or changed. Refuelling is permitted.
 3. The number of laps will be the same as the original race.
 4. The grid positions will be as for the original race.
4. In the case of situation described in Article 10.8 above (3 laps or more and less than two-thirds completed)
 1. Only riders who are classified as finishers in the first race may re-start. Article 12.3
 2. Motorcycles may be repaired or changed. Re-fuelling is permitted.
 3. The number of laps of the second race will be the number of laps required to complete the original race distance with a minimum of 5 laps.

4. The grid position will be based on the finishing order of the first race.
 5. The final race classification will be based on the results of each rider classified in each race added together. Riders who have completed an identical number of laps will be placed according to the combined time for each race. In the case of a tie the result of the last race will be decisive.
5. **Exception:** Provisions of Article 10.10 may apply according to the status of the meeting. (The discretion of the Clerk of the Course to decide at meetings of lower than National status).

SECTION 12 FINISH OF A RACE AND RACE RESULTS

12.1 FINISH OF A RACE

1. When the leading rider has completed the designated number of laps (or the designated time in the case of Endurance) for the race, a Chequered Flag will be displayed at the finishing line.

12.2 THE CHEQUERED FLAG WILL CONTINUE TO BE DISPLAYED TO THE SUBSEQUENT RIDERS

1. After the Chequered Flag is displayed to the leading Rider no other Rider is permitted to enter the track from the Pit Lane.
2. If a Rider closely precedes the leader during the final lap before the finish line the Official will show to the Riders and to the Leaders simultaneously the Chequered Flag and the Blue Flag. This will indicate to the Leader that he has completed the race and to the Rider closely preceding the Leader that he still has to complete the final lap.
3. In the case of a photo finish between two or more Riders the decision shall be taken in favour of the Rider whose Front Wheel leading edge crossed the finish line first. In the case of Ties, the Riders concerned will be ranked according to the best lap times they achieved in the race.
4. Should the end of the race signal inadvertently or otherwise be displayed before the leading rider completes the scheduled number of laps, or before the scheduled race time has been completed, the race will be deemed to have finished.

If the chequered flag is given to the leader then a result will be drawn accordingly, but if the chequered flag is given to a competitor other than a leader then the result will be taken when the leader last crossed the start/finish line.

Should the end of the race signal be advertently delayed, the race will nevertheless be deemed to finish at the correct moment and competitors be classified accordingly.

5. The Clerk of the Course may require machines to be presented for post Practice or Race verification. Where this is required the Riders must be informed prior to the start of the Practice or Race that they must attend the "Parc Ferme".

12.3 RACE RESULTS

1. When the Race has been completed as described above the Results will be based on the order in which the Riders crossed the finish line and the number of laps that they have completed.
2. When the Race has been declared completed by the Clerk of the Course following an Interruption under Article 10.3, the result will be established according to the procedure described in Articles 10.4–10.6 for a race interrupted after the Chequered Flag.
3. In either of the cases described in 1) and 2) above. To be counted as a Finisher and be included in the results a Rider must have completed 75% of the actual race distance. He must also have crossed the finish line on the track and not in the Pit Lane within two minutes after the winner and be in contact with his machine.
4. A new Lap record can only be established during a race.
5. Both for the Practice and for the Race, the lap time is the subtraction of the time between two consecutive crossings of the finish line.

SECTION 13 SAFETY

13.1 MEDICAL SERVICES – MINIMUM REQUIREMENTS FOR ROAD RACE MEETINGS

	PERSONNEL			VEHICLES		
	Doctors MO	Paramedic(s) PM	First Aid personnel	Ambulance(s)	Fast Intervention Vehicle	Special Notes
Road Race	2 MOs	PMS can assist MOs but not replace them	5	2	1	(i)
Road Race Test Day	1 MO	1PM	2	1	1	

The following applies to all events run under this code.

- Medical Officer (MO) – DOCTOR** A medical practitioner (Doctor) fully registered with the General Medical Council (GMC), and holding appropriate personal medical malpractice insurance cover (excludes NHS Crown Indemnity).
- Paramedic (PM)** A State Registered Paramedic with the HPC (Health Professions Council) Paramedics must have appropriate personal medical malpractice insurance cover.
- Ambulance** A vehicle registered as an ambulance with the DVLA (Driver and Vehicle Licencing Agency) or similar government licensing authority and complying with FIM minimum equipment regulations for a type C vehicle; that is:
Medical: A stretcher (preferably standardised), oxygen supply, apparatus to immobilise limbs and vertebral column. First aid medicaments and materials.
Technical: Radio communication. Visible and audible signals.
Staffing: An ambulance must be staffed by two First Aid Personnel (who can be the two minimum First Aid Personnel).
 An ambulance may act as a Medical Centre BUT if so it must be a vehicle in addition to the minimum ambulance requirement.
- First Aid Personnel** A person holding a current certificate of First Aid competency. (Where an event is open to the public event organisers should ensure that all First Aid personnel are insured against malpractice for the event concerned).
- Fast Intervention Vehicle (FIV)**

 - A Fast Intervention Vehicle is a compulsory requirement at all Road Race events.
 - Such a vehicle requires a driver, a Doctor, and appropriate medical equipment. If the driver is not a First Aid Person, then such a Person must be present in the vehicle. This vehicle must be immediately available to proceed to an incident, if called to do so, upon instructions from the Clerk of the Course.
 - A FIV must not be used in place of an ambulance.
 - A Fast Intervention Vehicle must be equipped with visible signals (flashing lights).
- At a meeting of below National status no ambulance or Fast Intervention Vehicle is allowed to be moved onto the course or its immediate verges whilst racing or practice is in progress on any part of the circuit. This means that in the circumstances of an Ambulance or Fast Intervention Vehicle being required on the circuit, the Red Flags must first be displayed and the race or practice brought to an actual and effective halt before the vehicle is deployed.
Note: This restriction is not applicable where the Clerk of the Course has decided to neutralise the race by use of the Safety Car in accordance with the provisions of Chapter 9 of the Road Race Regulations.
- During Sighting Lap: Stationary or moving Ambulances, Fast Intervention Vehicles, and the like, may be encountered anywhere on the circuit when riders are dispatched from the Assembly Area on their "sighting lap" to the start line prior to the start of a race. This "sighting

lap” is not considered to be either Practice or Racing and riders must always be prepared to encounter such vehicles. When such a vehicle or vehicles are on the track the Yellow Flags will be displayed in the appropriate section of the course.

Special Notes

2 MOs must be present at the start of every meeting and be present for the duration of the meeting unless accompanying a patient to hospital. If vehicles or First Aid personnel leave the circuit to convey a patient to hospital then the minimum requirements for the event to continue are 1 MO, 1 FIV, 2 Ambulances and 4 First Aid personnel.

6. Medical Examination

At any time during a meeting the Clerk of the Course may require a competitor to undergo a medical examination to determine his fitness to participate. The decision of the Medical Officer is a matter of fact without right of protest.

13.2 TRACK SAFETY PRECAUTIONS

1. The safety precautions of circuits will be as laid down for each Permanent Course Licence or Temporary Course Certificate following an inspection of the course.
2. It should be generally realised that the organisers of speed events have a legal responsibility to the general public and therefore it is the duty of these organisers to ensure that all reasonable precautions are taken to protect the public.
3. Whilst organising Clubs are insured under the Promoters Third Party Policy in respect of their legal liability, it is a condition of the policy that the promoters of an event must comply strictly with the National Sporting Code and any additional requirements as may be specified by the Permanent Course Licence or Temporary Course Certificate.
Clubs failing to do so stand in grave danger of any claims being repudiated to the Club by the insurers under the terms of the policy covering legal liability.
4. The safety precautions to be adopted are provided with the Permanent Course Licence or Temporary Course Certificate for the particular course but the following general requirements must be observed.
5. The attention of organisers is drawn to the provision of the NSC which stipulates that no alteration of the requirements contained in the Permanent Course Licence or Temporary Course Certificate shall be made without the prior approval, in writing, of the ACU.
6. It is recognised that circumstances may arise in which it is necessary to make certain alterations to the course on the day of the meeting but any such alterations must be approved by the Stewards of the Meeting and details given in their report to the permit issuing authority.

13.3 FIRE EXTINGUISHERS

Each working vehicle in the Paddock must have a 2 Kg (minimum) dry powder fire extinguisher available for immediate use. This extinguisher must show the date of the last annual inspection. Non – compliance with this regulation will incur a penalty imposed by the Clerk of the Course.

13.4 FIRE EXTINGUISHERS AT CIRCUITS

At all race and speed events, there must be a valid certificate, issued annually immediately prior to the start of each season’s racing by the manufacturer or his agent, to the effect that all fire extinguishers are in effective working order. This certificate must be available for inspection by the Stewards. All fire posts must be clearly marked. In addition to the fire equipment at each post there must be:

1. Fire extinguishers in the paddock and assembly area.
2. At least two fire extinguishers in the Technical Control Area.
3. Fire extinguishers in every medical room/centre.
4. During events of National status or below where machines may be refueled and more than five gallons (22 litres) of fuel is held in any one pit, there shall be a minimum of one fire tender

and crew in attendance, appropriately equipped and with immediate access to the pit area. International events must comply with appropriate FIM requirements.

13.5 WARNING AND PROHIBITION SIGNS AT CIRCUITS

For full details regarding Warning Notices and Prohibition Notices please refer to the Safety Precautions section of this Handbook.

1. WARNING NOTICES

The following requirements regarding the display of Warning notices are applicable to all Road Racing events.

1. WARNING NOTICE (A) (29 × 20 inches.) Warning notices as detailed below must be displayed on each side of every entrance to the course, including the entrance to car parks and paddock.
These notices must be prominently displayed where they can be easily read by the public before any admission charge is paid, or where no admission charge is made before entry is gained into the circuit.
Where it is not possible to define the limits of the site and to control admission of the public (e.g.M.O.D Land and heath land) warning notices must be profusely displayed around the course and also in the car parks.
2. WARNING NOTICE ((B) (20 × 15 inches.) Those parts of the course to which the public may be admitted and where it is neither practical nor necessary to erect a barrier, e.g. those parts of the course which are straight and are only used by the public to reach other parts of the course, may be indicated by the erection of the special type of Warning Notice (B). These notices should be displayed at least 30ft. from the course. It is recommended that the limit of these areas should also be defined by a boundary tape.

2. PROHIBITION NOTICES

The following requirements regarding the display of Prohibition notices are applicable to all Road Racing events.

PROHIBITED AREA NOTICE (C) (29 × 20 inches.) Areas where the public are not permitted must be clearly defined by the display of an adequate number of "Prohibited Area" notices (B). Notices should be displayed within the prohibited area, facing the public.

13.6 DECLARATION – ADMISSION TICKETS, ARMBANDS AND PASSES

Subject to the provision of the Sunday Observance Act 1780, no person may be allowed to any part of the circuit without a suitable pass or ticket. All tickets and passes must bear the following wording shown below in full and if the wording appears on the reverse side then the words "For Conditions of Admission See Over" must be clearly printed on the face thereof. Where a ticket is cancelled by being torn in half, the full wording and, where applicable, the "For conditions of admission see over" must appear on each half. Where a charge is made for admission into special or "reserved" enclosures a ticket bearing the approved declaration must be issued in exchange for payment to enter these enclosures.

Declaration.

WARNING. MOTOR SPORT CAN BE DANGEROUS. Despite the organisers taking all reasonable precautions, unavoidable accidents can happen. Please comply with all instructions of marshals and notices and remain in permitted areas only. THEY ARE CONCERNED WITH YOUR SAFETY. All vehicle passes must bear the same wording and comply with the above requirements.

13.7 DECLARATION ON THE OFFICIAL PROGRAMME

The declaration as outlined above should be printed in full on the outside front cover of all Official

Programmes. Where this is not possible it must be printed in full in the programme and the words "For conditions of admission see inside" printed on the outside cover.

13.8 SIGNING ON

All riders, passengers, officials and press must sign a declaration on the relevant signing on form (available from the ACU).

1. Age Limits for Officials
All event Executive and Administrative Officials shall be 18 years of age or over.
2. Age Limits for Marshals
 1. All Assistant Officials whose function is to be carried out at the immediate trackside must be at least 16 years of age.
 2. All Assistant Officials who are under 18 years of age must have obtained parental agreement to carry out the duty and the signing-on signature must be countersigned by the person responsible for the official at the event.
 1. When using the services of officials under 18 years of age for any duties at any event special attention must be given to any risks which may be associated with the duty, and to the previous experience of the official.

SECTION 14 GENERAL TECHNICAL SPECIFICATIONS

14.1 PROTECTIVE CLOTHING

During practice and racing riders and passengers must wear the following clothing and footwear:

1. A complete all in one leather suit of at least 1.2mm in thickness on all parts of the suit. Suits zipped together at the waist are not permitted. Non-leather material may be used if it meets with the following requirements.
2. The following characteristics of the material must be at least equivalent to 1.5mm of cowhide (not split leather)
Fire retardant quality – Resistance to abrasion – Coefficient of friction against all types of asphalt – perspiration absorbing qualities – Medical test – non toxic and non allergenic – Fabric of a quality that does not melt. It must be non-flammable.
3. The following areas must be padded with at least a double layer of leather or enclosed plastic foam at least 8mm thick: Shoulders, elbows, both sides of the torso and hip joint, the back of the torso, knees.
4. Competitors must wear complete undergarments if they use suits which are not lined. Suitable undergarments may be of the Nomex type, they may also be of silk or simply cotton. Synthetic materials which may melt and which could harm the riders skin in an accident are not allowed, neither for the suit nor for the undergarments.
5. Competitors footwear must be of leather or an approved substitute material and of a minimum height of 200mm to provide, with the suit, complete protection (i.e. no exposed areas.)
6. Competitors must wear leather protective gloves.
7. The use of materials in clothing or personal protection which may generate sparks when in contact with the ground are prohibited

14.2 HELMETS

Helmets bearing the current ACU gold stamp and in sound condition and properly fitted must be worn by all riders and passengers while practising and racing. Overseas riders may use helmets as approved by their own FMN.

14.3 IDENTIFICATION DISCS

While practising and racing, riders and passengers are required to wear an identification disc around

the neck, attached by a material approved by the technical officer. Thin chains should be avoided. The disc must be permanently marked with the wearer's full name and date of birth. Identification discs shall be of a durable material, circular in shape, between 20mm and 25mm in diameter and having rounded edges with no sharp or ragged projections.

14.4 BODY JEWELLERY

It is recommended that any body piercing studs, ring etc. are removed.

14.5 ENGINE AND FRAME NUMBERS

All solo road race machines are required to have engine and frame numbers that have obviously not been tampered with or deleted. For sidecars this applies to engine numbers only. The penalty is disqualification. New unstamped components are permissible.

14.6 FUEL

1. Unless otherwise specified in the Supplementary Regulations for any series or championship, leaded petrol mixtures up to 102 RON, will be permitted, provided that the Customs and Excise or Inland Revenue dues have been paid. Power boosters, octane boosters and the like are forbidden.
2. The use of E85 Bio-ethanol pump fuel is permitted. No concessions to individual Class Technical Regulations are permitted to allow the use of Bio-ethanol fuel. The word Bio Fuel must be clearly displayed on the fuel tank.
3. Competitors must ensure that a minimum of 2 litres remain in the tank at the end of the race, for the purpose of any fuel testing that may be required.
4. Any competitor found in contravention of these regulations or who fails to provide a fuel sample will have his Road Race Licence suspended for a minimum period of 6 months of the Road Race Season (March – October) and will be liable for all costs involved in the testing. The competitor will be disqualified from the results and will lose any Championship points awarded for that class.

Note: For information leaded petrol mixtures up to 102 RON are typified by mixtures of 50% Avgas and 50% pump petrol.

14.7 NUMBER PLATES

1. Numbers must be clearly visible to the public and officials. All other number plates or markings on a motorcycle liable to cause confusion with the number must be removed before the start of a competition.
2. One machine number must be displayed on the front of the motorcycle inclined not more than 30 degrees rearwards from the vertical. Holes can be perforated between the numbers on a front number plate. The actual numbers must not be perforated.
3. Each machine must display two side number plates. The numbers must be clearly visible to the public and marshals on both sides of the machine.
4. If numbers are displayed on separate plates, they must be rectangular shape and made from a rigid and solid material with minimum measurements 285mm by 235mm. The plates should not be curved or bent more than 50mm out of the flat plane.
5. The figures must be clearly legible and like the background must be painted in matt colours as described below to avoid reflection in sunlight.
6. The minimum dimensions of front numbers are:

Background	285mm by 235mm
Height of figure	140mm
Width of figure	80mm
Width of stroke	25mm
Space between two figures	15mm

7. The minimum dimensions of side numbers are:

Background	260mm by 220mm
Height of figure	120mm
Width of figure	70mm
Width of stroke	25mm
Space between 2 figures	15mm
8. A space of at least 5cm must be left free around all number plates in which no advertising may appear.
9. Figures must conform to the Number Plates diagram within this Handbook.
10. The colours for background and figures vary according to the class of motorcycle and type of competition. The following colours shall be used and they must have a matt finish and comply with the RAL colour table:

Black	9005,	Blue	5010,	Yellow	1003,	Orange	2007,
Red	3020,	Green	6002,	White	9010,		

The front and side number plates for each class of motorcycles are:

Class	Background	Numbers
F125cc	Red background	White numbers
125cc	Black background	White numbers
250cc	Green background	White numbers
350cc	Blue background	White numbers
500cc	Yellow background	Black numbers
Over 500cc	White background	Black numbers
Formula 400	Blue background	White numbers
Supersport 600	White background	Blue numbers
Formula 600	White background	Blue numbers
Supermono	Black background	Yellow numbers
Stocksport	Red background	White numbers
Fill Sidecars	Red background	White numbers
Open Sidecars	White background	Black numbers (incl three wheelers)

14.8 CONTROL OF EXHAUST SOUND LEVEL

1. The Clerk of the Course will disqualify any machine which exceeds the maximum permitted sound level, or which in his opinion is deemed to be excessively noisy. An official sound level test results form will be completed at each meeting and will be submitted by the Clerk of the Course to the Stewards of the meeting.
2. Noise limit in force for all machines is a maximum of 105dB/A. For testing the fixed RPM specified in 6 below will be used.
3. The noise test will be conducted with the microphone placed at 50 cm from the exhaust pipe at an angle of 45° measured from the centre-line of the exhaust end and at the height of the exhaust pipe, but at least 20 cm above the ground. If this is not possible, the measurement can be taken at 45° upwards.
4. During a noise test, machines not equipped with a gear box neutral must be placed on a stand.
5. The driver shall keep his engine running out of gear and shall increase the engine speed until it reaches the specified Revolutions Per Minute (RPM). Measurements must be taken when the specified RPM is reached.
6. Due to the similarity of the piston stroke in different engine configurations within the capacity classes, the noise test will be conducted at a fixed RPM. For reference only, the mean piston speed at which the noise test is conducted, is calculated at 13 m/sec (2-stroke engines) and 11 m/sec (4-stroke engines).

SPORT PRODUCTION AND SPORT PRODUCTION BASED ENGINES

	1 Cylinder	2 Cylinder	3 Cylinder	4 Cylinder
250cc (4-stroke)	5,500rpm	8,500 rpm		
400cc (4-stroke)	5,000rpm	6,500rpm	7,000rpm	8,000rpm
600cc (4 stroke)	5,000rpm	5,500rpm	6,500rpm	7,000rpm
750cc (4-stroke)	5,000rpm	5,500rpm	6,500rpm	7,000rpm
Over 750cc (4-stroke)	4,500rpm	5,000rpm	5,000rpm	5,500rpm

OTHER 2 STROKE RACING ENGINES

	1 Cylinder	2 Cylinder	3 Cylinder	4 Cylinder
125 (2-stroke)	7,000rpm			
250 (2-stroke)		7,000rpm		
500 (2-stroke)		5,500rpm	7,000rpm	7,000rpm

7. For Supermono class, Vintage and Classic prior to 1973, the test RPM will continue to depend upon the mean piston speed corresponding to the stroke of the engine, according to the table produced in the ACU Sound Control Regulations.
8. The noise level for engines with more than one cylinder will be measured on each exhaust end.
9. A machine which does not comply with the noise limits may be presented several times at pre-race control.
10. For Supermono class only, when presented for examination, the correct stroke must be stamped in a clearly visible position on the crankcase.
11. For Wankel machines, the noise level will be measured at 6000 RPM.
12. The surrounding noise should not exceed 90 dB/A within a 5 metres radius from the power source during tests.
13. Apparatus for noise control must be to international standard IEC 651, Type 1 or Type 2. The sound level meter must be equipped with a calibrator for control and adjustment of the meter during periods of use.
14. The "slow response" setting must always be used.
15. Due to the influence of temperature on noise tests, all figures are correct at 20°C. For tests taken at temperatures below 10°C there will be a + 1 dB/A tolerance and for tests below 0°C, a + 2 dB/A tolerance.
16. Noise control after the competition. In a competition which requires a final examination of machines before the results are announced, this examination must include a noise control measurement of at least the first three machines listed in the final classification. At this final test, there will be a 3 dB/A post race tolerance.
17. Guidelines for the use of Sound Level Meters
 1. The Sound Inspector must arrive in sufficient time for discussions with the Clerk of the Course and other Chief Technical Officials in order that a suitable test site and testing policy can be agreed.
 2. Sound level measuring equipment must include a compatible calibrator, which must be used immediately before testing begins and always just prior to a re-test if a disciplinary sanction may be imposed. Two sets of equipment must be available in case of failure of tachometer, sound level meter or calibrator during technical control.
 3. Before testing, the Sound Inspector should if possible liaise with another official who has noise test equipment including calibrators, in order to agree the accuracy of the official sound level meter.
 4. Tests should not take place in rain or excessively damp conditions. Machines considered excessively noisy must be individually tested if conditions allow.
 5. In other than moderate wind, machines should face forward in the wind direction. (Mechanical noise will blow forward, away from microphone).

6. 'Slow' meter response must be used.
7. 'A' weighted setting on sound level meter.
8. Always round down meter reading, that is: 103.9 dB/A = 103 dB/A.
9. Type 1 meter: deduct 1 dB/A
Type 2 meter: deduct 2 dB/A
10. Below 10° Celsius: deduct 1 dB/A
Below 0° Celsius: deduct 2dB/A

All tolerances are accumulative. Action taken will depend on the sporting discipline concerned, and decisions taken during prior discussions with the Clerk of the Course.

14.9 EXHAUST PIPES

1. The end of the exhaust pipe or pipes must not project beyond any part of the vehicle or its bodywork. Exhaust gases must not be discharged so as to raise dust or foul the tyres or brakes, or inconvenience a following rider. The end of the exhaust pipe for a minimum distance of 30mm must be horizontal and parallel (within a + or -10 degree tolerance) to the fore and aft centre line of the machine. It must not extend beyond a line drawn at a vertical tangent to the rear edge of the motorcycle rear tyre.
2. For sidecars the exhaust pipes must not extend beyond the limits of the sidecar on the sidecar side and must not extend more than 330mm from the centre of the machine on the opposite side unless contained within the streamlining.

14.10 SUPERCHARGERS/TURBOCHARGERS

1. The use of superchargers/turbochargers is prohibited unless specifically allowed in the regulations for a specific class. An engine, whether two stroke or four stroke, coming within any one of the recognised classes, as determined by the capacity of the working cylinder shall not be considered as supercharged/turbocharged, when in respect of one engine cycle, the total capacity, measured geometrically, of the fuel charging device or devices, including the capacity of the engine working cylinder, if used for inspiriting the fuel, does not exceed the maximum capacity of the class in question. The intracylinder injection of fuel shall not be considered as supercharging/turbocharging.

14.11 HANDLEBARS

1. The width of handlebars for motorcycles up to 80cc is not less than 400mm. For all other machines (including sidecars) not less than 450mm. Grips must be attached in such a way that at least the minimum width is reached when measured between the outside ends of the grips. Exposed handlebars must be plugged with a solid material or rubber covered.
2. The minimum angle of rotation of the handlebar on each side of the centre line or mid-position must be 15 degrees for solo motorcycles and sidecars. Whatever the position of the handlebars the front wheel must never touch the streamlining, if any. Stops must be fitted to ensure a minimum clearance of 30mm between handlebar with levers and the tank when on full lock to prevent trapping the rider's fingers (see diagram 3, at the end of Road Race Section).
3. Handlebar clamps must be carefully radiused and engineered so as to avoid fracture points in the bar.

14.12 CLUTCH AND BRAKE LEVERS

1. All handlebar levers (clutch, brake, etc.) must be, in principle, ball ended or be rounded (minimum thickness of this flattened part 14mm). These ends must be permanently fixed and form an integral part of the lever.
2. The maximum length of control levers measured from the pivot-point to the extremity of the ball must not exceed 200mm. Each control lever (hand and footlevers) must be mounted

on an independent pivot. The brake lever if pivoted on the footrest axis must work under all circumstances, such as the footrest being bent or deformed.

3. For all types of motorcycles, throttle controls must be self-closing when not held by the hand.

14.13 MUDGUARDS

Mudguards are not compulsory. If fitted, the following rules will apply:

1. They must project laterally beyond the tyre on each side. The rear mudguard must cover at least 120 degrees of the circumference of the rear wheel, and the angle contained by a line drawn from the rear end of the rear mudguard to the centre of the rear road wheel and a line drawn horizontally through the centre of the road wheel must not exceed 20 degrees.
2. The front mudguard must cover not less than 100 degrees of the circumference of the front road wheel. The angle contained by a line drawn from the rear end of the front mudguard to the centre of the front road wheel and a line drawn horizontally through the centre of that road wheel must not exceed 20 degrees.
3. Similarly, the angle contained by a line drawn from the front end of the front mudguard to the centre of the front road wheel and a line drawn horizontally through the centre of that road wheel must not be less than 45 degrees nor more than 60 degrees.

14.14 OPEN TRANSMISSION GUARDS

1. For all motorcycles, if the primary transmission is exposed, it must be fitted with a guard as a safety measure. The guard must be conceived in such a manner that under no circumstances can a rider or the passenger come into accidental contact with the transmission parts. It must be designed to protect the rider from injuring his fingers.
2. For Sidecars, a guard is required if secondary transmission is not shielded by the bodywork.
3. A (chain) guard must be fitted in such a way as to prevent trapping between the lower chain run and the final driven sprocket to rear wheel.

14.15 FOOTRESTS

1. The footrests for the rider must be placed not higher than 100mm above a line passing through the centre of the wheels with a machine loaded and in front of a vertical line passing through the centre of the rear wheel.
2. They must be positioned to give easy access to any control pedals.
3. The ends of the footrests must be rounded with a solid spherical radius of not less than 8mm. Footrests may be of a folding type but in this case must be fitted with a device which automatically allows them to return to the normal position, the integral protection is to be provided at the end of the footrest which must have at least 8mm solid spherical radius.

14.16 OIL SUPPLY PIPES

Oil lines containing positive pressure must, if replaced, be of steel re-inforced construction with swaged or threaded connectors. All drain plugs must be tight and drilled and wired into position. All oil filters must be securely fastened.

14.17 OIL CATCH TANKS & BREATHER SYSTEMS

Where an oil breather pipe is fitted the outlet must discharge into a catch tank located in an easily accessible position and which must be emptied before the start of the race. The minimum size of a catch tank shall be 250cc for gearbox breather pipes and 500cc for engine breather pipes.

14.18 PETROL AND OIL FILLER CAPS

Petrol and oil filler caps when closed must be leak proof. They must be securely locked to prevent accidental opening.

14.19 PETROL TANK BREATHERS

Where petrol tank breather pipes are fitted, non-return valves must be fitted to those pipes.

14.20 CONSTRUCTION

The use of titanium in the construction of the frame, the front forks, the handlebars, the swinging arm spindles and the wheel spindles is forbidden. For wheel spindles, the use of light alloy is also forbidden. The use of titanium alloy nuts and bolts is allowed.

14.21 ADDITIVES TO WATER IN RADIATORS

The only liquid engine coolant permitted, other than lubricating oil, is water.

14.22 BRAKES

For machines fitted with two front disc brakes, a split of the front brake lines for both front brake calipers must be made at or above the lower fork.

14.23 TECHNICAL CONTROL

1. The Technical Officer shall check both the machine and the rider for compliance with the technical specifications. The rider must wear his clothing to Technical Control to demonstrate good fit etc.
2. The fairing of sidecar machines should be removed and replaced by the competitor during inspection by technical control with particular attention being paid to securing the fairing to the chassis.
3. Crashed machines must be returned to the technical control area for examination. In such circumstances it is the responsibility of the competitor to ensure his machine and clothing has been rechecked and approved before further use in the event.
4. In the event of a protest against machine specification where an engine has to be stripped an additional fee of £250 for four stroke and £150 for two stroke machines MUST be submitted with the protest and protest fee. In the event of the protest being upheld the additional fee will be returned. If the protest is not upheld the additional fee will be awarded to the other party and will be the only costs payable.
5. In the event of a protest against fuel specification an additional fee of £600 must be submitted with the protest and protest fee. In the event of the protest being upheld the additional fee will be returned and the cost of the fuel test charged to the other party. (See also ACU Fuel regulations as detailed within this Handbook).
6. It is the responsibility of the rider to ensure that a machine used in competition is mechanically and structurally in a safe condition.

SECTION 15 SOLO SPECIFICATIONS

These specifications are in addition to and not in place of the General Technical Regulations above. Solo motorcycles must comply with the following requirements.

15.1 SIZE OF WHEEL RIMS AND TYRES

1. For solo motorcycles, the wheel rims must be at least 400mm (16") in diameter.
2. Any modification to the rim or spokes of an integral wheel (cast, moulded, riveted) as supplied by the manufacturer or of a traditional detached rim other than for spokes, valves or security bolts is prohibited except for tyre retention screws sometimes used to prevent tyre movement relative to the rim. If rim is modified for these purposes bolts, screws etc. must be fitted.
3. Tyres must have the following dimensions and will be measured mounted on the rim at a pressure of 1kg/cm² (14 lbs/sq. in) measurements taken at a tyre section located at 90 degrees from the ground

Classes	FRONT WHEELS			REAR WHEELS		
	Minimum Rim Width Marking	Minimum Inside Width	Tyre	Minimum Rim Width Marking	Minimum Inside Width	Tyre
	mm	mm		mm	mm	
51cc to 125cc	1.50/WMO	38	50	1.5/WMO	38	50
126cc to 250cc	1.50/WMO	38	63	1.50/WM1	40.5	70
251cc to 350cc	1.60/WM1	40.5	70	1.85/WM1	47	83
351cc to 500cc	1.85/WM1	47	75	2.15/WM2	55	100
501cc to 1300cc	2.15/WM2	55	83	2.15WM3	55	110

15.2 TYPE OF TYRES INCLUDING THE USE OF SLICK TYRES IN CLUB MEETINGS

- For all National meetings the use of slick tyres is permitted. For all other meetings types of tyres must be specified in the Supplementary Regulations. Prior Road Race Committee approval is required for Clubs wishing to permit the use of slick tyres or hand cut slick tyres at meetings below National status.
- Unless stated otherwise in the Supplementary Regulations the use of slick tyres are not permitted at meetings of below National status.

15.3 TREADED TYRES

The minimum tread depth must be 1.6mm unless otherwise stated in Championship Conditions.

15.4 TUBELESS TYRES

If a tyre is to be run tubeless it is recommended that the internal rim dimensions are approved by the manufacturer of the tyres being used. Tyre/rim relationship for tubeless tyre application is very critical.

15.5 SLICK TYRES

The surface of a slick tyre must contain three or more hollows across the width of the tyre at 120 degree intervals or less around its circumference, indicating the limit of wear on the centre and shoulder areas of the tyre. When two or more of these indicator hollows become worn on different parts of the periphery, the tyre must not be used.

15.6 STREAMLINING

The streamlining of solo Road Racing machines must correspond to the following specifications (see also diagram 1 at the end of the Road Race Section).

- The front wheel, with the exception of the tyre, must be clearly visible from each side.
- No part of the streamlining must be in front of a vertical line drawn 150mm in front of the front wheel axle. Normal mudguards shall not be considered as streamlining.
- No part of the streamlining must be to the rear of a vertical line drawn through the rear wheel axle and the rim of the rear wheel must be clearly visible over the 180 degrees of its circumference to the rear of this line. No part of the motorcycle shall project to the rear of a vertical line drawn through the exterior edge of the rear wheel.
- Air foils or spoilers may only be fitted on solo machines when they are an integral part of the fairing or seat. They must not exceed the width of the fairing nor the height of the handlebar. Sharp edges must be rounded off with a minimum radius of 8mm.
- Any part of the streamlining which faces rearwards, must be finished with rounded edges of 3.5mm min. radius.
- The rider, in the normal riding position, must be completely visible with the exception of his forearms from either side, from the rear and from above. The minimum space between the face of the rider, or his helmet and the streamlining (including the windscreen) must be 100mm. It is forbidden to use transparent materials to evade these rules.

7. The maximum height of the back of the rider's seat is 150mm. This will be measured from the lowest point of the rigid base of the seat to the uppermost part of the fairing behind the driver.
8. Whatever the position of the handlebars there must be a space of at least 20mm between the streamlining and the ends of the handlebars or other steering systems, including any attachments thereto.
9. The front inclination where the number plate is fixed must not exceed an angle of 30 degrees to the rear of the vertical.
10. The ground clearance of a solo vehicle when unloaded must not be less than 100mm.
11. The width of the seat or anything to its rear shall not be more than 450mm.
12. The fuel cap must be fitted in such a way that it does not protrude from the fairing and cannot be torn off in a crash.
13. It is forbidden to add anything to the original streamlining of Production Racing motorcycles if fitted.
14. Streamlining for both solo and sidecar motorcycles used for World Record Attempts is unrestricted.

15.7 INCLINATION

It must be possible for a motorcycle (other than Vintage machines or Scooters) not being loaded, to be inclined to an angle of 50 degrees from the vertical, without any part of it other than the tyre coming in contact with the ground.

15.8 BRAKES

Motorcycles must be equipped with one efficient brake operating on each wheel and operated independently and concentrically with the wheel.

15.9 OIL CONTAINMENT

The lower fairing where fitted on all four stroke motorcycles must be constructed to hold at least half of the total oil and coolant capacity of the engine in the event of an engine failure. The lower edge of openings in the fairing must be positioned at least 50mm above the bottom of the fairing. (Minimum modifications to the profile of the lower fairing only to fulfil this rule). (Please see diagram). Four stroke motorcycles without a lower fairing must fit a sub-reservoir below the crankcase to hold at least half of the total oil and coolant capacity of the engine in the event of an engine failure.

NOTE: Vintage and Classic machines (prior to 1973) will be exempt at all events.

SECTION 16 SOLO ELIGIBILITY SPECIFICATIONS

16.1 ACU PRODUCTION CLASSES

1. These specifications are in addition to and not in place of the Technical Regulations. Solo motorcycles must comply with the following requirements. Machines must be complete, fully equipped motorcycles of a Model/Marque to UK specifications, as originally assembled at the factory of a recognised manufacturer, for road use in a minimum quantity of 100. The only permitted alterations are detailed below.
2. Handlebars – any shape of handlebar is permitted provided that it is fitted in the original mounting position only.
3. Footrests and foot controls – proprietary rearsets are acceptable.
4. Gearing – the sprockets may be changed. The final drive chain specification must remain standard in respect of width and pitch.
5. Friction linings, disc pads and brake hoses – may be changed.
6. Compression springs and damping – may be changed, but the original mountings must be used.
7. Exhaust systems – no modification is permitted.

8. Rebores – to allow for wear, rebores will be permitted, but only to the maximum of the manufacturer’s recommended rebore sizes.
9. Air filter elements – may be removed. Air box assemblies must not be modified.
10. The addition of the following is permitted – security bolts and screws, steering dampers, fork braces, engine protection bars.
11. Carburettors – no modification other than a change of jet size is permitted.
12. Compression ratio – cylinder head joint faces may be machined – the external appearance of the engine must remain unaltered. Where originally specified, a solid head gasket must be retained.
13. Side stand mounting lugs – may be removed.
14. Throttle controls – must be self-closing as Article 14.12.3.

The following alterations **must** be made

15. Licence holders, club badges (except transfers), centre and prop stands, luggage carriers, mirrors and rear registration plate (but NOT tail light) must be removed. Indicators may be retained at the discretion of the rider but, if retained, the glasses must be taped.
16. Where breather pipes are fitted they must discharge via existing outlets into a catch tank as per Article 14.18.
17. Head lamp and rear light glasses must be adequately taped to prevent splintering.
18. All electrical equipment fitted must be in working order except the stop lamp which **MUST** be disconnected.
19. No addition or alteration by machining, welding, brazing, silver soldering or bonding may be carried out externally to any part of the machine.

16.2 FORMULA SPECIFICATIONS

These specifications are in addition to and not in place of the Technical Regulations. Solo motorcycles must comply with the following requirements.

1. Classes

- 125 – Production based machines up to 125cc two stroke (includes the 72cc and 80cc Jawa and Metrakit type machines)
 - 250 – Production based machines 250cc four stroke.
 - 400 – Production based machines 250cc two stroke, 400cc four stroke.
 - 600 – Production based machines 600cc four stroke four cylinder and 675cc four stroke three cylinder.
2. Rebores up to the Manufacturers maximum recommended rebore size are permitted.
 3. Any moulded treaded tyre is permitted.
 4. Standard carburettors or fuel injection as homologated to be used.

16.3 ACU SUPERSPORT REGULATIONS

To comply with 2011 FIM Regulations and/or MCRCB Regulations.

16.4 ACU/FIM SPECIFICATIONS FOR SUPERBIKE

To comply with 2011 FIM Regulations and/or MCRCB Regulations

16.5 ACU STOCKSPORT/SUPERSTOCK REGULATIONS

To comply with 2011 FIM Regulations and/or MCRCB Regulations.

16.6 ACU SUPERSTOCK 600

To comply with UEM 2011 Regulations

SECTION 17 SIDECAR SPECIFICATIONS

These specifications are in addition to and not in place of the Technical Regulations. Sidecars must comply with the following requirements. All Fuel used must comply with the ACU Standing regulations.

17.1 GROUPS B1 AND B2 – GENERAL

1. The three road wheels may be disposed so as to give two or three tracks.
2. If three tracks are made then the centres of the tracks of the motorcycle shall not be more than 75mm apart.
3. The sidecar may be placed either side of the motorcycle. Hinged sidecars and steerable sidecar wheels are forbidden. Remote steering linkages and the use of articulated joints in the steering mechanism are not allowed. By definition an articulated joint is one allowing movement in more than one plane.
4. The distance between the fore and aft centre lines of the tracks made by the motorcycle rear and sidecar wheels must be not less than 800mm and not more than 1150mm. Maximum dimension for a B2 overall width 1700mm (including exhaust systems). Maximum overall height of 800mm at front. Maximum overall length 3300mm. Maximum wheelbase 2300mm.
5. The minimum dimensions of the sidecar body shall be length 800mm, width 300mm (both measured 15cm above the platform). Height of the passenger's protective screen 300mm. Any bodywork or fairing must not protrude more than 400mm in front of the most forward part of the front tyre or rearward more than 400mm from the most rear part of the rear tyre.
6. The engine must be positioned in front of the rear wheel in such a way that the centre line of the engine – determined by half its overall width, shall not extend more than 160mm beyond the centre line of the rear wheel track of the motorcycle. By definition the centre line of the engine is the position midway between the centre lines of outermost cylinders for transverse engines or the crankshaft for in-line engines.
7. Any form of electronic traction control remains forbidden, this means that any traction control system whether it is a part or a full system that is fitted as standard on an homologated machine/engine CANNOT be used. Wheel speed sensors are not permitted.
8. The ground clearance measured over the entire length and width of the vehicle race ready, fully loaded with rider, passenger and fuel must be not less than 65mm with the handlebar in a straight position. No device is permitted to reduce the 65mm ground clearance during the course of the event. The under surface of the platform must, in principle, be flat.
9. The suspension of the front wheel must be designed so that under suspension action and in a straight ahead position, it shall only move vertically and in a single plane relative to the motorcycle – the plane must be in the driving direction. This must occur without changes to the camber or the tracking. The vertical travel of the front and rear wheel spindles under suspension action must be at least 20mm.
10. The motorcycle must be steered by a non adjustable handlebar which is directly fixed to the steering unit of the motorcycle. The handlebar must not be lower than the spindle of the front wheel. The steering unit must operate through the front wheel.
11. The provision of coachwork or streamlining is optional, but the vehicle must have accommodation for a passenger and the coachwork or streamlining shall not impede complete freedom of movement by the rider or passenger at all times. Neither driver or passenger may be attached to the machine (exception the driver must be attached by the cut out lanyard). The streamlining must be easily detachable for inspection by technical control.
12. RIDER. The rider in the normal riding position must be completely visible, with the exception of the arms, legs, and feet from above.
PASSENGER. A passenger must be carried and must always be protected from the road wheels and both primary and final drives either by mudguard or some other means.
The passenger must be able to lean out to either side of the sidecar, for this purpose the vehicle

- must be fitted with suitable hand-holds for the passenger to hold onto when leaning out. The handholds must be of the 'CLOSED LOOP' type, a single projection hand-hold is not permitted.
13. There shall be a clearance of at least 20mm between the streamlining and the extremities of the handlebar, including any attachments thereto whatever the position of the handlebar
 14. The battery must be covered in such a way that neither the rider or the passenger can come in to contact with the battery or its contents.
 15. A solid and effective protection between the rider and the engine must prevent direct contact between his body or clothes and/or escaping flames or leaking fuel and oil.
 16. Throttle Controls and Cut Out Device
 1. Throttle controls must be self-closing when not held by the hand.
 2. An ignition cut-out must be fitted to operate when the driver leaves the machine. This ignition cut-out system must interrupt the primary circuit and must be wired for both the supply and return of the current.
 3. The ignition cut-out must be placed as near to the centre of the handlebar as possible and must be operated by a non-elastic string of adequate length and thickness and strapped to the driver's body. A spiral cable (similar to that of a telephone wire) of maximum 1m extended length is permitted.
 17. Any electric fuel feed pump must be wired in such a way as to cut out if the engine cut out device is operated.
 18. The fuel tank must be sufficiently independently protected from the ground. A non-return valve must be fitted to the petrol tank breather pipe, this pipe must discharge into a suitable catch tank, minimum capacity 500ml. The fuel filler cap must be fitted in such a way that it does not protrude from the fairing and cannot be torn off in the event of an accident.
 19. All handlebar levers (clutch, brake etc.) must be ball ended. The ball diameter must be at least 19mm permanently fixed and forming an integral part of the lever. The maximum length of control levers measured from the pivot point to the extremity of the ball must not exceed 200mm. Each control lever (hand and foot) must be mounted on an independent pivot. The handlebar grips must not be longer than 150mm and must be attached to the ends of the handlebar.
 20. The rear driving wheel must be covered down to the level of the sidecar platform on the nearest side to the sidecar wheel, and to the top of the rear wheel rim flange on the outside. The rear facing section of the rear seat must cover the rear driving wheel down to the level of the rear wheel spindle. The sidecar wheel must be enclosed from the sidecar platform and level with the sidecar platform on the outside and around the periphery. Provision for the checking of the sidecar wheel tyre pressure is allowed.
 21. The exhaust system must fulfil all the requirements concerning noise control. Exhaust fumes must be discharged towards the rear but not in a manner as to raise dust, foul the tyres or brakes or inconvenience a passenger or any other rider. The furthest extremity of the exhaust pipe must not exceed a vertical line drawn at a tangent to the rear edge of the sidecar platform. On the side opposite a sidecar the exhaust pipes must not extend beyond the streamlining. On the other side the exhaust pipes must not extend beyond the width of the sidecar. Exhaust pipes must be fitted/positioned so that it is impossible for them to become entangled with another machine
 22. An airbox must be used with all four-stroke engines. The airbox intake size is not restricted. (Except four-stroke engines in Formula II Class)
 1. The airbox must completely close around the induction bell-mouths.
 2. The carburettors or throttle-bodies may be entirely within the airbox.
 3. The engine must have a closed breather system.
 4. The engine breather must be connected and discharge in the airbox only. (by a sealed catch tank if required)

5. The airbox must cover and collect fluids discharged from the bell-mouths.
6. The airbox must be constructed in such a way as to prevent any oil discharged in the airbox from spilling on the track.
7. This oil containment must hold a minimum of 1000 cc of oil.
8. The airbox must be sealed to prevent spillage of oil or fuel.

17.2 GROUP B3 (CYCLECARS). – GENERAL

1. The three road wheels, which may be disposed to give either two or three tracks shall be each of at least 400mm in diameter measured over the outside of the tyre, or in the case of a scooter with sidcar attached, as provided in the ACU Scooter Standing Regulations.
2. One of the wheels may be replaced by two wheels provided the distance between the two vertical centre lines of these two wheels does not exceed 200mm.
3. The wheel track, or lateral distance between tracks shall be at least 800mm.
4. The position of the engine is optional and the engine may drive one or more road wheels.
5. The provision of coachwork or streamlining is optional, but the vehicle must have accommodation for one or more passengers.
6. The passenger must always be completely protected from the road wheels and drive, either by mud-guarding or some other means.
7. A passenger must be carried in addition to the rider unless the Supplementary Regulations have authorised the substitution of ballast. In such case, the ballast must consist of a single object placed on, and fixed to the passenger's seat, and of a weight of at least 132 lbs (60kg).
8. Throttle controls must be self-closing.

17.3 GROUP B1, B2 AND B3 TECHNICAL SPECIFICATIONS

1. Streamlining

1. The streamlining on three-wheelers must be designed and fitted to allow complete liberty of movement to the rider, both when riding and when getting on or off the vehicle, without the streamlining or any part of it having to be displaced.
2. For B1 and B2 sidcars neither the rider nor the passenger must be covered from above nor may they be attached in any way. Furthermore, the passenger must be able to lean out on either side. Spoilers and other aerodynamic devices must not surpass the streamlining. The streamlining must not have any sharp edges.
3. The extreme forward part of the streamlining must not project forward in plan beyond the most forward part of the front tyre by more than 400mm.
4. There shall be a clearance of at least 20mm between the streamlining and the extremities of the handlebar (or other form of steering lever), including any attachment thereto whatever the position of the handlebar.
5. Streamlining must be held to the machine by means of chassis extensions etc.
6. There must be no possibility of the streamlining coming into contact with the road surface, impeding the front wheel or steering of the machine in the event of the failure of any individual fairing mounting point.

2. Brakes

Motorcycles in Group B1 and B3 must be equipped with at least two brakes, operating independently on at least two of the road wheels, each giving complete control from the riding position. If hydraulic system is used it must comply with Group B2 rules (below). All vehicles in group B2 must have the following braking system. All three wheels must be braked

1. The brake system must consist of one main system with at least two circuits operating separately, one of the circuits must operate on at least two of the three wheels.
2. If one circuit fails the other must work efficiently

3. An emergency system operated by a handlebar lever or a foot lever with a simple circuit operating on either the front or rear wheel of the motorcycle.
4. A sidecar brake is mandatory
5. Dispensation has been given to LCR style (i.e. any “long” type) sidecars with respect to the auxiliary handlebar operated brake.
6. Only ferrous brake discs are permitted. (For Classic and Vintage rules contact the relevant bodies).

3. **Wheels and Tyres**

For sidecars and three-wheelers (Group B1, B2 and B3), the wheel rims shall be at least 254mm in diameter and 64mm in width. All wheels must be of metal construction, any modification to the rim or the spokes of the original cast or composite wheel as supplied by the manufacturer is prohibited.

For all meetings the use of slick tyres is permitted. The diameter of the tyre must be at least 400mm and the width 100mm, maximum front tyre width 220mm.

1. Tubeless Tyres. If a tyre is to be run tubeless it is recommended that the internal rim dimensions are approved by the manufacturer of the tyres being used. Tyre/rim relationship for tubeless application is very critical.

2. Slick Tyres. The surface of a slick tyre must contain three or more hollows across the width of the tyre around its circumference at 180 degree intervals or less, indicating the limit of wear on the centre and shoulder areas of the tyre. When at least two of these indicator hollows across the width of the tyre become worn on different parts of the periphery, the tyre must no longer be used.

4. **Red Warning Lights**

Sidecars must be equipped for the duration of the event with a functional rear facing red anti-fog lamp, measuring a minimum of 30 sq cm, and producing a minimum 1500 MCD light. The light must be installed at least 100 mm off the ground, located in the area between the back wheel and the sidecar platform. The light must be mounted on a part of the suspended body (not on any unsuspended parts) and ensure no obstruction from the fairing and/or the passenger.

5. **Air Intakes**

Cooling air intakes must be so constructed that there is NO forward projection/protrusion to catch or foul in the event of accident.

6. **Oil And Coolant Containment**

1. In the area directly below the engine, the oil containment tray must be constructed to hold, in case of an engine breakdown at least half of the total oil and engine coolant capacity used in the engine (minimum 5 litres). The surrounding edges of the tray must be at least 30 mm above the bottom of the tray.

2. The front edge of the oil bay reservoir wall must be extended upwards to just below (within 20 mm) the exhaust ports of the engine.

3. Holes for the engine mounts (hangers) must be sealed.

4. From a vertical view, the engine must be located completely inside the oil bay platform.

5. The rear wheel must be protected from any possible oil spray. To make this protection, the engine and rear wheel compartment must be separated. This separation must be created by installing a solid divider (wall) running from the top of the inside of the bodywork to the bottom of the oil tray. This divider (wall) must overlap the rear edge of the oil tray down to the bottom.

6. All machines must use this tray.

7. Oil cooler must not be mounted on or above the body of the sidecar. The location of the oil tank and oil cooler should be placed where it is least likely to be damaged in an accident.

8. Oil lines containing positive pressure, if replaced must be of metal reinforced construction with swaged or threaded connectors. Manufactured solid construction oil lines, where practical,

must be replaced also. All sidecars shall attach oil absorbent materials of no less a quality than 3M Product number T156 or CEP Sorbents product number CEP-EP100.

This material shall be securely fixed to the following areas of the sidecar:

1. The entire oil tray, both the bottom and inside wall of the same. The volume of material used in this area according to manufacturers specifications, shall not be less than 3 litres of oil.
2. Any bodywork directly covering the engine. In the event that oil is absorbed by the material, it must be replaced before the next track session.
3. The material must be attached in such a way that it should be easily replaced, yet not become displaced while on the track, and its effectiveness is not inhibited, i.e. if an adhesive is used it must not clog the material, causing it to lose its absorbent properties. All absorbent material used, shall be non-flammable by design.

Vintage and Classic (prior to 1973 construction) machines are exempt from the above requirement 6.8

4. Where an oil breather pipe is fitted the outlet must discharge into a catch tank in an easily accessible position which must be emptied before the start of the meeting, minimum capacity 500ml.

7. Oil Catch Tanks

1. Two strokes. Where an oil breather pipe is fitted, the outlet must be discharged into a catch tank located in an easily accessible position and which must be emptied before the start of the race. The minimum size of catch tank shall be 250ml for gearboxes.
2. Four-stroke. Motorcycles must have a closed breather system. The oil breather line must be connected and discharge in the airbox only. (by a sealed catch tank if required)

SECTION 18 FORMULA 600 AND FORMULA II SIDECAR SPECIFICATIONS

Formula 600 and Formula II Sidecars must comply with the general Sidecar specification unless changed by the following specifications:

Introduction. The object of this specification is to make use of cheaper, more readily available engine units of theoretically similar power outputs and of widely different configurations and hopefully to provide less expensive racing of a more traditional kind to the benefit of competitors, constructors and spectators. Hub centre steering, remote steering linkages and the use of articulated joints in the steering mechanism are not allowed.

18.1 ENGINE TYPES

The only permitted engines for this class are:

Up to 350cc 2 stroke, twin cylinder

501–600cc, 4 stroke, 4 cylinder, Production based

Rotary engines are not permitted.

Over-boring is not permitted.

Induction systems:

Up to 350cc, 2 stroke: 39mm maximum carburettor choke size

501–600cc, 4 stroke: Any carburettor is permitted.

501–600cc four-stroke Fuel injection engines: Fuel injection systems are permitted using only the throttle-bodies as homologated for the engine concerned

The injectors must be standard units as on the homologated engine.

Bell mouths, intake tract devices (Velocity stacks, air funnels) may be modified or replaced. Variable length intake devices (Velocity stacks, air funnels) that function while the engine is operating are not allowed, unless such a system is used on homologated machine/engine.

Butterfly cannot be changed or modified. Where fitted a secondary butterfly or slide may be locked in the fully open position.

Any fuel pump may be used.

Homologated fuel pressure must remain unmodified.

The fuel ignition ECU and Ignition Control Unit may be changed.

For the Fill British Sidecar Championships and the Isle of Man TT Sidecar Races only.

In addition to the above the following will apply.

- a. The only permitted engines for this class are:
501–600cc, 4 stroke, 4 cylinder, Production based
- b. Everything above the head gasket must remain as for the road going homologated motorcycle.
(i.e. NO race kits)
- c. Camshafts must be as homologated but timing and tensioning devices are free.
- d. Everything below the head gasket is free.
- e. Fuel injection instruments/fuel injectors must remain as homologated.

18.2 GENERAL CONSTRUCTION

The Sidecar may be placed either side of the motorcycle. Hinged sidecars and steerable sidecar wheels are forbidden. Neither the rider nor passenger may be attached to the machine. Remote steering linkages and the use of articulated joints in the steering mechanism are not allowed. By definition an articulated joint is one allowing movement in more than one plane.

The three road wheels may be disposed as to give two or three tracks.

If three tracks are made then the centres of the tracks of the motorcycle shall not be more than 75mm apart.

A passenger must be carried and must always be protected from the road wheels and both primary and final drives either by mudguard or some other means.

The main frame (See Figure 1A) must consist of a minimum, of a steering head, a frame to accommodate the engine, and a main spar to the sidecar wheel, which will be made from good quality steel tube.

The tubing used for the construction of the frame may be of a circular or non-circular section. If circular, the outside diameter shall not exceed 101.6mm. If non-circular, the maximum cross section shall not exceed 101.6mm. measured at right angles to any flat face.

These three components must be permanently fixed by welding or brazing.

The rear swinging arm outer pivot housings (See Figure 1B) may be detachable from the main frame, the pivot housings must be made from either steel or a suitable solid aluminium alloy billet. The finished article if made from aluminium alloy must be hard anodised. The use of castings for the outer pivot housings are forbidden.

The sidecar wheel upright or flange plate (See Figure 1C) at the end of the main sidecar wheel spar may be detachable, the upright flange plate must be made from either steel or a suitable solid aluminium alloy billet. The finished article if made from aluminium alloy must be hard anodised, any supporting tie rods to the upright or flange plate must be made of steel. The use of castings for the sidecar wheel upright or flange plate are forbidden.

The sidecar wheel stub axle housing (See Figure 1D) may be detachable from the sidecar wheel upright/flange plate, the housing must be made from either steel or a suitable solid aluminium alloy billet. The finished article if made from aluminium alloy must be hard anodised. The use of castings for the sidecar wheel stub axle housing are forbidden.

Reinforcement of the steering head is allowed. The steering head may be fully boxed in to a maximum of 305mm, measured from any point between the top and the bottom of the steering head spindle centre line (See Figure 1 X.X). Should any lightning or inspection holes be added to the "Fully Boxed In" section, they will be deemed as still "Fully Boxed In" and not open.

The front forks is to be either a leading/trailing fork, or links with the wheel equally supported on each side. The construction of the front forks and yokes must be made of good quality steel and must be either welded or brazed during construction. The lower loop must be made of good quality steel.

Minimum suspension travel to be 20mm.

The rear swinging arm must be made of good quality steel, single sided swinging arms are allowed,

and must have minimum of 20mm of travel in a single plane. The rear swinging arm pivot spindle must be 90 degrees to the fore and aft centre line of the rear wheel. The swinging arm must either be welded or brazed during construction, the dimensions for the swinging arm are free. Wishbone type swinging arms fitted to monocoque chassis's are forbidden.

The use of composite construction is forbidden with the exception of the sidcar platform, i.e. aluminium or carbon fibre skinned honeycomb.

The use of titanium in the construction of the frame, front forks, handlebars, swinging arm and wheel spindles is forbidden.

For wheel spindles, the use of light alloys is also forbidden.

Under trays must be detachable.

Monocoque construction is forbidden.

18.3 ENGINE POSITION

The engine must be positioned in such a way that the centre line of the engine (by definition a position midway between centre lines of outermost cylinders) shall not exceed 160mm beyond the centre line of the rear wheel of the motorcycle.

The engine must be positioned behind the steering head and in front of the driver.

The drive must be transmitted to the road through the rear wheel of the motorcycle. An engine positioned behind the rider and in front of the rear wheel is forbidden.

18.4 DIMENSIONS

Weight (Minimum) 136.5 kg. without fuel. The addition of ballast to reach this weight is forbidden.

Width (Overall Maximum) 1575mm.

Wheelbase (Maximum) 1651mm.

Track 800mm minimum, 1105mm maximum. The distance is measured from the centre of the track left by the rear wheel to the centre of the track left by the sidcar wheel.

Height (Overall Maximum) 800mm.

Ground clearance. The ground clearance measured over the entire length and width of the vehicle race ready, fully loaded with rider, passenger and fuel must be not less than 65mm with the handlebars on in a straight position. No device is permitted to reduce the 65mm ground clearance during the course of the event.

Note: The imperial measurements are no longer used so the Metric figures have been rounded up to nearest mm the differences were 0.1mm and 0.2mm.

18.5 STREAMLINING AND BODYWORK

The streamlining must be easily detachable for Technical Inspection. Aerofoils or spoilers are not permitted on streamlining.

The forward extremity of the streamlining shall not be more than 400mm in front of the line taken from a vertical tangent to the front tyre.

The extreme rear edge of the streamlining must not be more than 400mm to the rear of the line taken from a vertical tangent to the rear tyre.

The provision of coachwork or streamlining is optional, but the vehicle must have accommodation for a passenger and the coachwork or streamlining shall not impede complete freedom of movement by the rider or passenger at all times.

Whatever the position of the handlebars, there must be a space of at least 20mm between the streamlining and the ends of the handlebars or any other parts of the steering mechanism or front wheel.

A solid and effective protection must be fitted between the rider and the engine, this protection must prevent direct contact between the riders body or clothing and escaping flames or leaking fuel or oil. The fairing must be mounted in such a way as to ensure the integrity of the whole installation in the event of failure of any individual mounting.

18.6 PASSENGER PLATFORM

Minimum dimensions 800mm by 300mm measured 150mm above the platform. The orientation is free.

RIDER The rider in the normal riding position must be completely visible, with the exception of the arms, legs, and feet from above.

PASSENGER The passenger must be able to lean out to either side of the sidecar, for this purpose the vehicle must be fitted with suitable hand-holds for the passenger to hold on to when leaning out. The hand-holds must be of the closed loop type, a single projection hand-hold is not permitted.

18.7 AIR INTAKES

Cooling air intakes must be so constructed that there is NO forward projection/protrusion to catch or foul in the event of accident.

18.8 OIL AND COOLANT CONTAINMENT

In the area directly below the engine, the oil containment tray must be constructed to hold, in case of an engine break down, at least half of the total oil and engine coolant capacity used in the engine (minimum 5 litres).

The surrounding edges of the tray must be at least 30mm above the bottom of the tray. 50mm high measured vertically from the bottom of the tray

The frontal edge of the oil tray wall must be extended upwards to arrive just below (within 20mm) of the exhaust ports of the engine.

Holes for the engine mounts (hangers) must be sealed.

From a vertical view, the engine must be located completely inside the oil tray platform.

The rear wheel must be protected from any possible oil spray. To make this protection, the engine and rear wheel compartment must be separated. This separation must be created by installing a solid divider (wall) running from the top of the inside of the bodywork to the bottom of the oil tray and to the full width of the rear tyre. This divider (wall) must overlap the rear edge of the oil tray down to the bottom.

All machines must use this tray.

All sidecars shall attach oil absorbent materials of no less a quality than 3M Product number T156 or CEP Sorbents product number CEP-EP100.

This material shall be securely fixed to the following areas of the sidecar.

The entire oil-tray, both the bottom and the inside walls of the same. The volume of material used in this area, according to the manufacturers specifications, shall absorb not less than 3 litres of oil.

Any bodywork directly covering the engine.

In the event that oil is absorbed by the material, it must be replaced before the next track session.

The material must be attached in such a way that it should be easily replaced, yet must not become dislodged whilst on the track, and its effectiveness is not inhibited, i.e. if an adhesive is used it must not clog the material, causing it to lose its absorbent properties.

All absorbent material shall be non-flammable by design.

Oil-lines containing positive pressure, if replaced, must be of metal reinforced construction with swaged or threaded connectors.

Oil coolers must not be mounted on or above the bodywork of the sidecar.

The location of the oil tank and the oil cooler should be placed in a location where it is least likely to be damaged on an accident.

Sump plug, oil filters, Ignition pickup covers and Clutch centre covers should all be lockwired or lockplated.

The gear lever should exit via a rubber boot or flexible seals if the gear lever exits outside the retaining area.

The chain slot must have a flexible seal fitted.

18.9 AIRBOX

An airbox must be used with all four-stroke engines.

The airbox intake sizes are restricted as follows

If 1 intake is used a maximum of 103mm Internal Diameter is permitted

If 2 intakes are used a maximum of 73mm Internal Diameter per intake is permitted or equivalent area if none circular section(s) are used measured within 50mm of the point of entry into the airbox.

The airbox must completely close around the induction bell-mouths.

The carburettors or throttle-bodies may be entirely within the airbox.

The engine must have a closed breather system.

The engine breather must be connected and discharge in the airbox. only. (by a sealed catch tank if required)

The airbox must cover and collect fluids discharged from the bell-mouths.

The airbox must be constructed in such a way as to prevent any oil discharged in the airbox from spilling on the track.

This oil containment must hold a minimum of 1000 cc of oil.

The airbox must be sealed to prevent spillage of oil or fuel.

18.10 OIL CATCH TANKS

Four-stroke. Motorcycles must have a closed breather system. The oil breather line must be connected and discharge into the airbox only. (by a sealed catch tank if required) .

18.11 WHEELS

The minimum diameter of an inflated tyre must be 400mm. All wheels must be of metal construction, any modification to the rim or the spokes of the original cast composite wheel as supplied by the manufacturer is prohibited.

18.12 STEERING

Steering of the front wheel must be accomplished by non-adjustable handlebars securely fixed to the forks or yokes of the motorcycle. They must be secured to steering members turning the front wheel and its supports directly with no intermediate push or pull rods. Handlebars and all steering bearings must be located on the sprung portion of the front suspension.

Any form of remote steering is forbidden.

Handlebar width 450mm minimum.

Steering lock angle each side of straight ahead position to be 20 degrees minimum, measured at the headstock.

Whatever the position of the handlebars the front wheel must never touch the streamlining.

Handlebar clamps must be carefully radiused and engineered so as to avoid fracture points in the bar.

18.13 THROTTLE CONTROLS

Throttle controls must be self-closing when not held by the hand.

18.14 CONTROL LEVERS

All handlebar levers (clutch, brake etc.) must be ball ended. The ball diameter must be as least 19mm permanently fixed and forming an integral part of the lever.

18.15 BRAKES

All three wheels must be braked. The brake system must consist of:

One main system with at least two circuits operating separately, one of the circuits must operate on at least two of the three wheels.

If one circuit fails the other must work efficiently.

An emergency system operated by a simple circuit operating on either the front or rear wheel of the motorcycle is compulsory.
Only ferrous discs allowed.

18.16 TYRES

For all meetings the use of slick tyres is permitted. The wheel rim shall be at least 254mm in diameter and 64mm in width. The diameter of the tyre must be at least 400mm and the width 100mm, maximum front tyre width 220mm.

The surface of a slick tyre must contain two or more hollows at 180 degree intervals or less, indicating the limit of wear on the centre and shoulder areas of the tyre. When at least two of these indicator hollows become worn on different parts of the periphery, the tyre must no longer be used.

18.17 MUDGUARDS AND WHEEL PROTECTION

The rear driving wheel must be covered down to the level of the sidecar platform on the nearest side to the sidecar wheel, and to the top of the rear wheel rim flange on the outside.

The rear facing section of the rear seat must cover the rear driving wheel down to the level of the rear wheel spindle.

The sidecar wheel must be enclosed from the sidecar platform and level with the sidecar platform on the outside and around the periphery. Provision for the checking of the sidecar wheel tyre pressure is allowed.

18.18 EXHAUST PIPES

The exhaust system must fulfil all the requirements concerning noise control. Exhaust fumes must be discharged in a manner so as to not raise dust, foul the tyres or brakes or inconvenience a passenger or any other driver. The furthest extremity of the exhaust pipe must not exceed a vertical line drawn at a tangent to the rear edge of the sidecar platform.

On the side opposite a sidecar the exhaust pipes must not extend beyond the streamlining. On the other side the exhaust pipes must not extend beyond the width of the sidecar.

Exhaust pipes must be fitted/positioned so that it is impossible for them to become entangled with another machine.

18.19 FUEL TANK

Fuel tanks must be sufficiently independently protected from the ground. A non-return valve must be fitted to the petrol tank breather pipe, this pipe must discharge into a suitable catch tank, minimum capacity 500ml.

The fuel filler cap must be fitted in such a way that it does not protrude from the fairing and cannot be torn off in an accident.

18.20 BATTERY

The battery must be covered in such a way that neither the driver nor the passenger can come into contact with the battery or its contents.

18.21 CUT OUT DEVICE

An ignition cut-out must be fitted to operate when the driver leaves the machine. This cut-out system must interrupt the primary circuit and must be wired for both the supply and return current. The cut-out must be placed as near to the centre of the handlebar as possible and must be operated by a non-elastic string of adequate length and thickness and strapped to the driver's body. A spiral cable (similar to that of a telephone wire) of maximum 1m extended length is permitted.

Any electric fuel feed pump must be wired in such a way as to cut out if the engine cut-out device is operated.

18.22 RED WARNING LIGHT

Sidecars must be equipped for all the duration of the event with a functional rear-facing red anti-fog lamp, measuring a minimum of 30 sq.cm and producing a minimum of 1500 MCD continuous light. Pulsating lights are not permitted.

The light must be installed at least 100mm off the ground, located in the area between the back wheel and the sidecar platform.

The light must be mounted on a part of the suspended body, (not on any unsuspended parts) and ensure no obstruction from the fairing and/or the passenger

18.23 TRACTION CONTROL

Any electronic traction control system is forbidden. Wheel speed sensors are not permitted.

18.24 REAR VIEW MIRROR

External rear view mirrors having suitable dimensions and mountings are optional.

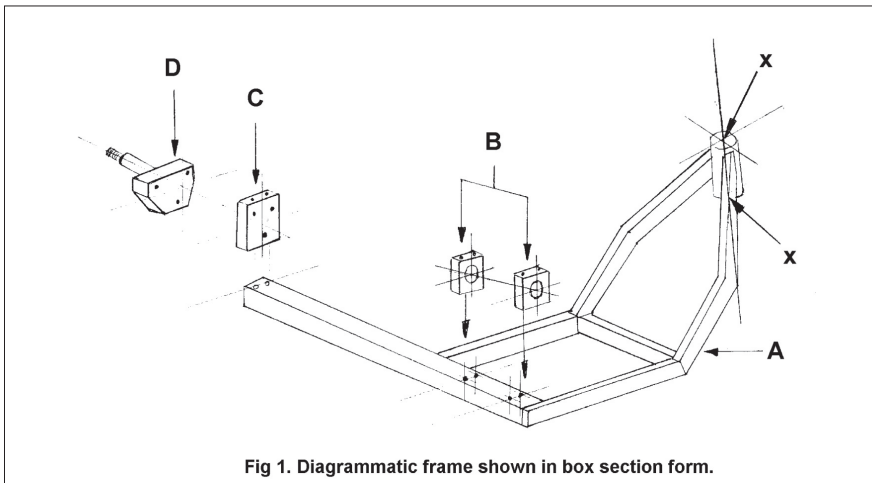


Fig 1. Diagrammatic frame shown in box section form.

SECTION 19 FORMULA 1 SIDECAR SPECIFICATION

Formula 1 Sidecars must comply with the general Sidecar specification unless changed by the following specifications:

Note: Subject to the 2010 FIM Rules being homologated the ACU will adopt them from 2011 for National Events
2015 for Club Events

19.1 ENGINE SPECIFICATIONS

1. Two Stroke Engines
 - Maximum 500cc
 - Prototype engine design is allowed
 - Maximum of 4 cylinders
2. Four Stroke Engines
 - Motorcycles of mass production only Maximum 1000cc
 - Maximum 4 cylinders
3. Balancing and Lightening are permitted

4. Con rods may be changed, however the use of carbon or titanium is not allowed in their construction. The use of exotic materials is not allowed, (i.e. ceramics, metal matrix/aluminium beryllium) unless as fitted by manufacturer to homologated engine.
5. Piston rings and pins may be changed
6. The original cylinder head may be modified, however the number of ports and valves must remain as originally produced by the manufacturer
7. Camshafts may be altered or replaced. Method of cam drive must remain as originally produced by the manufacturer
8. The Ignition/Injection Engine Control system is free.
9. Maximum of 6 speed transmission
10. The clutch may be modified but must remain either wet or dry types as originally produced.
11. The generator and/or electric starter may be removed
12. Carburettors may be altered or replaced
13. The use of exotic materials is not allowed, (i.e. ceramics, metal matrix/aluminium beryllium). Unless as fitted by manufacturer to homologated engine.
14. The oil lubrication system is free.

19.2 ENGINE

Must be positioned in front of the rear wheel in such a way that the centre line of the engine shall not extend more than 160 mm beyond the centre line of the rear wheel track of the motorcycle. By definition the centre line of the engine is the position midway between the centre lines of the outmost cylinders for transverse engines, or the crankshaft for in-line engines.

19.3 DIMENSIONS

Overall width	Maximum 1700 mm (67 ins) (including exhaust system)
Overall height	Maximum 800 mm (31.5) (with exception of airbox max height 950mm (37.5 ins))
Overall length	Maximum 3300mm (130 ins)
Overall wheelbase	Maximum 2300 mm (90.5)

19.4 STEERING

The motorcycle must be steered by a handlebar. The handlebar extremities must not be lower than the front wheel spindle. (nor more than 500mm (19.7 ins) behind the front wheel spindle in the straight-ahead position) (the steering axis must not be offset more than 75 mm (2.9 ins) from the front wheel centre line).

19.5 SUSPENSION

The suspension of the front wheel must be designed so that under suspension action and in the straight ahead position, the wheel shall only move vertically and in a single plane relative to the motorcycle. The plane must be on the driving direction. This must occur without changes to the camber or the tracking. The vertical travel of the front and rear wheel spindles under suspension action must be at least 20 mm (0.75 ins). The use of active suspensions is forbidden.

19.6 WHEEL PROTECTION

The rear wheel and sidecar wheel must be enclosed down to the level of the sidecar platform on the inside. The sidecar wheel on the outside must be enclosed down to the height of its axle centre-line. The rear wheel must be enclosed down to the top of the rim flange on the outside.

19.7 EXHAUST

The exhaust pipe must not extend beyond the width of the sidecar and the furthest extremity of the exhaust pipe must not exceed the vertical line drawn at a tangent to the rear edge of the sidecar bodywork.

Exhaust pipes fitted to the side of the sidecar must be covered so that it is impossible for the passenger to be burnt. The ends of the exhaust pipes fitted to the sidecar must be so positioned or protected that it is impossible for them to become entangled with another machine.

SECTION 20 PARADES AT ACU/MCRCB ROAD RACE MEETINGS

20.1 INTRODUCTION

These Standing Regulations for Parades have been established in order to provide a framework under which all Parades at ACU/MCRCB Events are to be organised.

20.2 ORGANISATION

Parades may be organised within an ACU/MCRCB permitted event. Details may be included in the Supplementary Regulations for the event or separate Parade Supplementary Regulations may be issued.

1. There must be a separate Entry Form for each Parade. An entry fee may be charged.
2. All Parades will be covered by the ACU/MCRCB Permit issued for the meeting.
3. Parades may be organised by Circuit Owners, Promoters, ACU Affiliated Clubs, MCRCB or any body or organisation appointed by the aforementioned. However, in all cases the organisation on the circuit will be carried out under the supervision of the Clerk of the Course and the Organisers of the racing programme of the event. A senior representative of the Organisers of the Parade must be present in Race Control whilst the parade is in progress.
4. The Organisers of the Race Meeting (during which the parade will take place) and the Permit Issuing Authority must approve the Parade Supplementary Regulations and all other associated documents before these are issued to prospective entrants.
5. If the Secretary of the Meeting is responsible for the signing on of the riders he must be provided with a list of participants together with all other documentation on the day of the event.
6. The Secretary of the Parade is responsible for the signing-on procedures and the production of all other documentation.
7. Every participant in a parade is required to sign-on on the official forms provided and declare that their machine and clothing conform to the regulations.
8. The Secretary of the parade, the Organisers of the Meeting or the ACU Technical Officer may refuse the participation in the parade of any participant at any time.
9. The Secretary of the Parade is required to provide the Secretary of the meeting with a complete signing-on sheet covering every rider and passenger one hour before the start of the relevant parade.
10. Insurance cover is included as follows:
 - i) Public Liability Insurance is included in the Permit for the event.
 - ii) The Insurance Company (Brokers) will be appointed by the ACU/MCRCB.

20.3 PR5 – SPECTATOR PARADES – SPEED CONTROLLED

Where an opportunity is provided for riders of road going motorcycles to participate for their own pleasure on their own machines in controlled circumstances.

1. **Machine Qualification.** Machines must be road legal. Organisers may limit the type of machine allowed or grade the machines into separate parades.
2. **Rider Qualifications.** Riders must be between 14 and 70 years of age and hold a current ACU Road Race Licence or ACU Parade Licence or a Class A DVLA motorcycle licence. Passengers must be between 14 and 70 years of age. All participants must complete an entry form. Where a participant is under 18 years of age a Parental Consent Form must also be completed. Riders must be a member of an ACU affiliated club.
3. **Documents.** Road fund licence (tax disc), DVLA motorcycle licence and/or ACU licence

and certificate of motor insurance applicable to that rider and machine must be produced at signing-on.

4. **Insurance**

1. The Insurance Company (Brokers) will be appointed by the ACU/MCRCB.
2. Organisers of PR5 Parades are expected to pay a fee in respect of the Public Liability premium. Please refer to the Prices Section in this Handbook for further details.
3. No Personal Accident insurance is included in respect of PR5 parades.
4. No cover is included in respect of machines, clothing or other personal property etc.

5. **Clothing**

Full leather clothing (one piece or two piece zipped together) in good condition or suitable protective motorcycle clothing, including boots and gloves, designed for road use must be worn. (i.e. no paddock jackets, jeans, trainers etc. will be allowed on the track.)

6. **Safety Helmets**

Safety helmets must be worn and fastened properly at all times and must be legal for road use. ACU Gold standard is recommended.

7. **Identification**

A suitable means of identifying approved machines, riders and passengers must be used (i.e. headlamp stickers and wristbands).

8. **Technical Control**

1. Participants must ensure their machines and clothing meet the conditions stated in this document.
2. An approved ACU Technical Officer will be appointed. Checks will be carried out but limited to checking documentation and Registration Numbers.

9. **Briefing**

1. The Clerk of the Course of the Organising Club will conduct a briefing which all riders participating in the parade must attend.
2. Failure to attend the briefing will result in disqualification unless the Clerk of the Course has previously issued a waiver in writing to any participant.
3. The briefing will include Flag Signals, Speed, Safety, the Timetable and all other general arrangements for the conduct of the Parade.

10. **Speed**

The maximum speed of any participant must not exceed 60mph. The speed of the parade will be dictated by the Clerk of the Course, who will take into consideration the circuit, conditions and machinery, and will be controlled by Pace Cars. The Parade will not exceed 60mph at any time. No participant is allowed to overtake a pace car.

11. **Number of riders permitted**

Parades containing 60 or less riders will be controlled by two pace cars, one at the front and one at the rear. Parades containing over 60 riders are permitted, but will be controlled by one extra pace car for each additional block of up to 60 riders.

12. **Duration of sessions**

The duration of each session is limited to a maximum of 3 laps, one additional formation lap may be permitted on circuits under 1.75 miles.

20.4 PR6 CLASSIC MACHINE AND/OR RIDER PARADES

Being Parades usually organised as an integral part of a ACU/MCRCB permitted race meeting where an opportunity is provided for "Past Master" class riders to participate to celebrate past performances and/or riders of Classic machines or Machines of Historical Interest to participate for their own pleasure in controlled circumstances.

1. **Non competitive**

No Classic parade will include any competitive element in any circumstances.

2. **Courses**

Only courses licenced by the ACU/MCRCB for road racing may be used.

3. **Permit and Supplementary Regulations**

Parades require an ACU/MCRCB Permit which will be issued following approval of the Supplementary Regulations and Entry Forms to be issued for the event. Where a Classic Parade is to be organised as part of an ACU/MCRCB Permitted race meeting it will be held under the Permit issued for that event.

4. **Machine qualification**

Classic machines must be equipped with racing number plates and display the allocated riding numbers.

Machines must be examined by an ACU Technical Official. Organisers may limit the type of machine allowed or grade the machines into separate parades.

5. **Documents**

Riders are required to provide a commentator's information sheet with the history of both themselves and their machine. Riders are also required to sign-on on the form provided by the Organising Club on the day of the event.

6. **Insurance**

Insurance cover is included as follows:

1. The Insurance Company (Brokers) will be appointed by the ACU/MCRCB.
2. Personal Accident benefits are included for those taking part in PR6 Parades and is limited to £10,000 Death, and £20,000 Loss of or loss of use of two limbs or the sight of two eyes, or loss of use of one limb and one eye, the loss of or loss of use of a limb or the sight of an eye. There are no weekly benefits in respect of temporary or total disablement.
3. Should any participants be found to be in breach of these Standing Regulations for Parades the Insurance arrangements stated in this article will be null and void.
4. The Insurance is for personal accident only and does not cover machine, clothing, equipment etc.
5. The Secretary of the Parade is responsible for the payment of Personal Accident Insurance premiums, which must be submitted to the Secretary of the meeting on the day of the parade at the latest. The Secretary of the Meeting is then responsible for the payment of the Insurance Premiums to the Brokers.
6. No cover is included in respect of machines, clothing or other personal property etc.

7. **Rider qualification**

1. Riders must be between 14 and 70 years of age and hold a current ACU Road Race Licence, a current ACU Parade Licence or a Class A DVLA motorcycle Licence. Passengers must be aged between 14 and 70 years of age. All participants must complete an Entry Form that must include a Medical Declaration

"In completing this form to enter this Parade I confirm that I know of no medical condition that would impair my ability to participate or cause injury to myself or others".

2. Where a participant is under the age of 18 years a Parental Consent Form must also be completed. Riders must be members of an ACU affiliated club. Participants over the age of 70 will be able to participate on production of a certificate of fitness to participate signed by their own GP.

3. Riders from other FMN's must produce Start Permission and Insurance to cover Medical Repatriation to at least FIM standards.

8. **Briefing**

1. The Clerk of the Course of the Organising Club will conduct a briefing which all riders participating in the parade must attend.

2. Failure to attend the briefing will result in disqualification unless the Clerk of the Course has previously issued a waiver in writing to any participant.

3. The briefing will include Flag Signals, Speed, Safety, the Timetable and all other general arrangements for the conduct of the Parade.

9. Method of start

Riders will be filtered on to the circuit in small groups. Parades for “Past Masters” only may be started either singly or in small groups from the designated Starting grid at the discretion of the Organisers and where so required for the introduction of noteworthy participants to spectators.

10. Noise

The maximum noise level is 105 dB/A. Noise levels will be measured in accordance with the procedure specified in the ACU Standing Regulations for Road Racing. Exceptionally, noise levels may be increased on special occasions for the demonstration of particular riders or machines. In all such cases the permission of all appropriate sporting and civil authorities must be obtained beforehand.

11. Speed

The speed of the Parade will be determined by the Clerk of the Course who will take into consideration the circuit, conditions and machinery. Classic parades will not generally be speed restricted. The Clerk of the Course will immediately disqualify any rider deemed to be riding in an inappropriate manner by means of a Black Flag displayed at the Start and Finish line together with a board bearing the rider’s number.

12. Conduct of Parades

Parades will be of a maximum of 15 minutes duration and must be conducted with Officials, Marshalling and Medical services all in place.

13. Protective Clothing and Helmets

As per Road Race Standing Regulations. Riders must present themselves at Technical Control fully clothed for Parading.

14. Number of Riders permitted

The maximum number of Paraders in any session will be the same as that authorised on the ACU MCRCB Circuit Licence for Official Practice.

15. Officials

The Organisers will appoint a Parade Secretary to be responsible for the proper completion of all entry forms and any other associated documents. The Club will appoint an ACU licenced Clerk of the Course to be responsible to the Stewards of the Meeting and to the Organisers for the general good management and conduct of the Parade.

SECTION 21 ORGANISATION OF OFFICIAL TEST DAYS

A day allocated for testing with no official results or timing. This may be associated with a Permitted Meeting or held under a separate Official Test Day Permit. The following conditions will apply:

21.1 ORGANISATION

This will be authorised by the issue of the Permit to the organising Club or Body.

21.2 INSURANCE

Insurance both Public Liability and Personal Accident must comply with Standing Regulations.

21.3 MEDICAL COVER

As laid down in the Minimum Requirements for Road Race Medical Services in the Road Race Safety Section of this Handbook.

21.4 OFFICIALS

There must be a minimum of 1 marshal on duty at each corner or bend. The Race Control must be controlled by officials authorised by the Permitting Body and the Regulations complied with.

21.5 RIDERS

All riders must have a valid competition licence appropriate for the machine they intend to ride. All riders must sign on prior to taking part.

21.6 JUNIOR RIDERS

For all riders under 18 years of age the following must be produced before participation

- 1) A completed Parental Consent form.
- 2) A Temporary Discharge Form from their school or college if in full time Education.

21.7 TECHNICAL CONTROL

Riders are responsible for ensuring both machine and equipment comply with the Standing Regulations for Road Race.

21.8 ON CIRCUIT CONTROL

The Track Licence condition regarding numbers allowed onto the circuit to Practice must be complied with.

21.9 CIRCUIT

With the exception of safety and medical requirements detailed in this article the circuit must comply with the Track Licence.

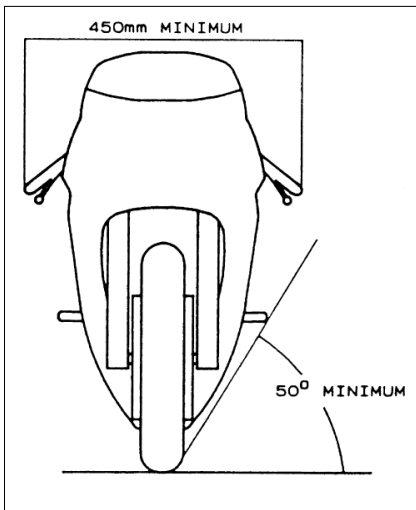


Diagram 1

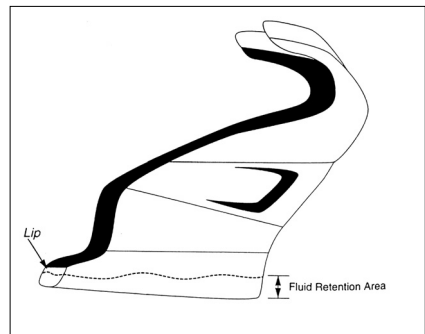


Diagram D

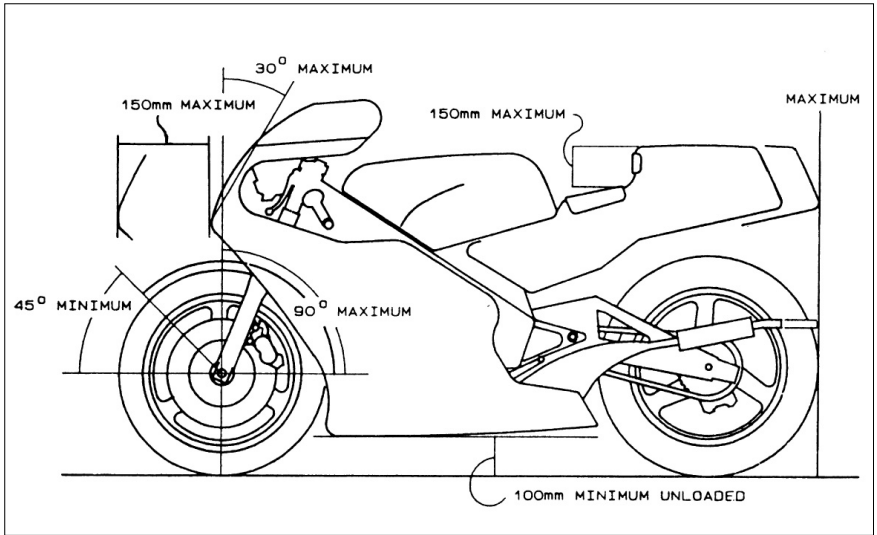


Diagram 2

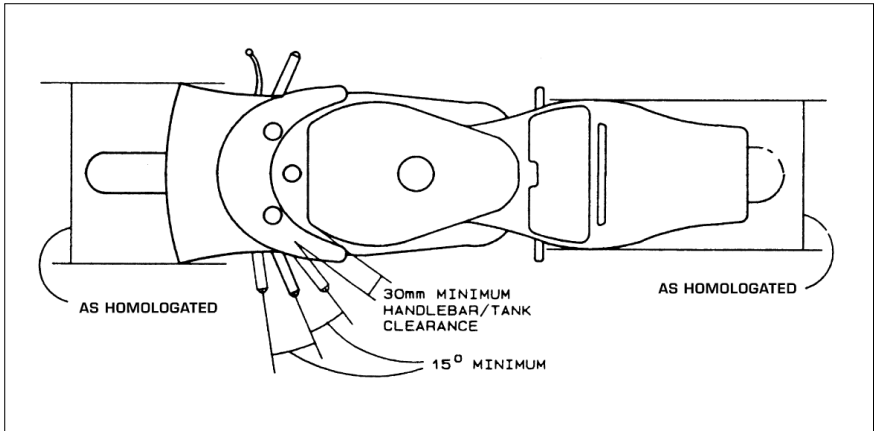
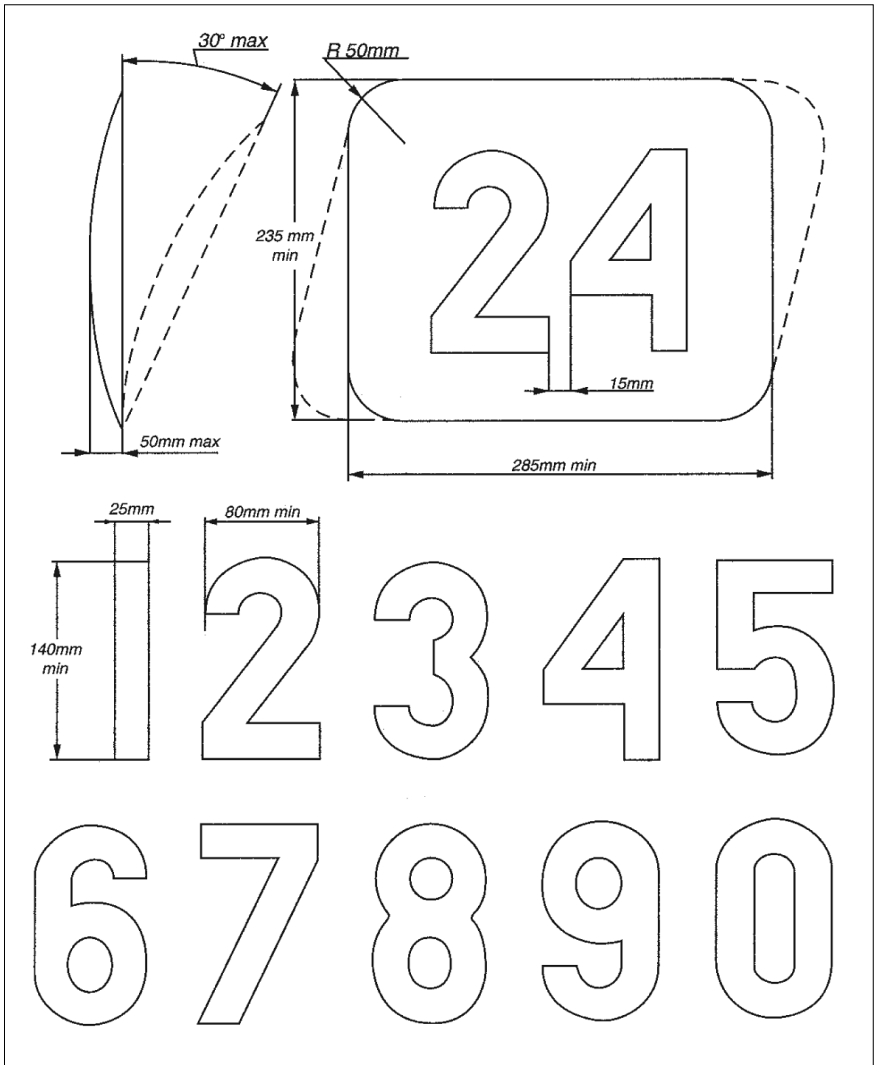


Diagram 3



Number plate

Supermoto

SECTION 1 MEETINGS

1.1	Categories of Meetings	313
1.2	International	313
1.3	European Open	313
1.4	National	313
1.5	Open	313
1.6	Restricted	313
1.7	Eligibility of Foreign Riders in Open and Restricted Meetings	314
1.8	Practice Meetings and Test Days	314
1.9	Conditions for Supermoto Meetings	314

SECTION 2 LICENCES – COMPETITORS

2.1	General	314
2.2	Grades	314
2.3	Lapsed Licences	315
2.4	Capacity and Licence Restrictions	315

SECTION 3 LICENCES AND REGISTRATIONS – OFFICIALS

3.1	Qualifications and Conditions	315
3.2	Supermoto Officials who require a Licence	315
3.3	Grades for Supermoto Clerk of the Course	316
3.4	Supermoto Officials who do not require a Licence	316

SECTION 4 PRACTICE

317

SECTION 5 GRID POSITIONS

5.1	Positions	317
5.2	Timed Practice	317
5.3	Balloted	317
5.4	Allocated	317
5.5	Superpole	317

SECTION 6 START PROCEDURE

6.1	Start Methods	318
6.2	Procedure	318
6.3	Anticipation of the Start	319

SECTION 7 FLAGS AND LIGHTS

7.1	Flags and lights used to provide Information	319
7.2	Flags which convey information and Instructions:	319
7.3	Flag Dimensions	320
7.4	Flag Colours	320

SECTION 8 BEHAVIOUR DURING PRACTICE AND RACE

321

SECTION 9 INTERRUPTION OF A RACE

9.1	Interruption of a Race	322
9.2	Interruption of a Race after the Chequered Flag	322

SECTION 10 RE-STARTING A RACE THAT HAS BEEN INTERRUPTED 323**SECTION 11** FINISH OF A RACE AND RACE RESULTS

11.1	Finish of a Race	323
11.2	Chequered flag	323
11.3	Race results	323

SECTION 12 SAFETY

12.1	Medical Services. Minimum requirements for Supermoto Meetings	324
12.2	Track Safety Precautions	324
12.3	Fire Extinguishers	325
12.4	Fire Extinguishers at Circuits	325
12.5	Warning and Prohibition Signs at Circuits	325
12.6	Declaration – Admission Tickets, Armbands and Passes	326
12.7	Declaration on the Official Programme	326
12.8	Signing On	326

SECTION 13 TECHNICAL SPECIFICATIONS

13.1	Classes	326
13.2	Noise Control	327
13.3	Number Plates	327
13.4	Protective Clothing	327
13.5	Helmets	327
13.6	Identification Discs	327
13.7	Body Jewellery	327

The National Sporting Code of the ACU and the Standing Regulations together with the Supplementary Regulations and any Final Instructions shall apply to all Supermoto Races held under an ACU Permit.

SECTION 1 MEETINGS

1.1 CATEGORIES OF MEETINGS

- International Meetings
- European Open Meetings
- National Meetings
- Open Meetings
- Restricted Meetings

Permits for all Supermoto competitions are issued by ACU Headquarters

1.2 INTERNATIONAL

- 1 The Permit shall be issued by the ACU Headquarters for a meeting inscribed on the International Calendar of the FIM and having an FIM International Meeting Number (IMN).
- 2 An International meeting is open to Entrants and Riders of more than one nation who must hold an International Licence or a National Licence issued by the ACU valid for the particular meeting concerned
- 3 All riders not holding a Licence issued by the ACU or SACU must carry proof of Insurance and a written Start Permission document issued by their FMN.

Note: This includes all riders holding a licence issued by the MCUI.

1.3 EUROPEAN OPEN

- 1 The permit shall be issued by ACU Headquarters for a meeting inscribed on the Calendar of the Union of European Motorcycling (UEM) and having a European Meeting Number (EMN).
- 2 A European Open meeting is open to Entrants and Riders of more than one European nation who must hold the appropriate Competition Licence valid for the particular meeting concerned.
- 3 All riders not holding a Licence issued by the ACU or SACU must carry proof of Insurance and a written Start Permission document issued by their FMN.

Note: This includes all riders holding a licence issued by the MCUI

1.4 NATIONAL

- 1 The Permit shall be issued by the ACU Headquarters.
- 2 A National meeting is open to Entrants and Riders who are the holders of a National or International Licence valid for the particular meeting concerned issued by any Federation.
- 3 All riders not holding a Licence issued by the ACU or SACU must carry proof of Insurance and a written Start Permission document issued by their FMN.

Note: This includes all riders holding a licence issued by the MCUI.

1.5 OPEN

- 1 An Open permit is issued by ACU Headquarters.
- 2 An Open meeting is open to Entrants and Riders who hold a valid ACU or SACU Licence for the meeting concerned.

1.6 RESTRICTED

- 1 A Restricted Permit is issued by ACU Headquarters.
- 2 A Restricted meeting is open to Entrants and Riders who hold a current ACU Licence valid for the meeting concerned.

- 3 The Supplementary Regulations issued for the event must specify all restrictions and requirements of eligibility.

1.7 ELIGIBILITY OF FOREIGN RIDERS IN OPEN AND RESTRICTED MEETINGS

- 1 The Supplementary Regulations issued for the event must specify the licence qualification and eligibility requirements of foreign riders.
- 2 All riders must have a current Licence and Start Permission from their own Federation valid for the event.

1.8 PRACTICE MEETINGS AND TEST DAYS

- 1 Permits for Practice Meetings and Test Days may be issued on application to the Permit Issuing Authority.
- 2 No such event may be held unless the appropriate Permit and Insurance has been issued.

1.9 CONDITIONS FOR SUPERMOTO MEETINGS

- 1 The ACU Road Race Committee must approve the Organiser.
- 2 The Venue must hold a current Track Licence or Track Certificate issued by the ACU Road Race Committee.
- 3 The ACU Secretariat must approve the Supplementary Regulations for the event and issue an ACU Permit prior to publication and circulation.
- 4 For all ACU Championships an ACU decal, supplied by the ACU Secretariat, must be displayed on the front number plate of each machine. Any rider not complying will be disqualified from the results of the race.
- 5 All officials and marshals must remain at the circuit and available to the Clerk of the Course and the Stewards during the period provided for the lodging of a Protest that period.
- 6 On venues where the average lap speed is expected to be greater than 65 kph and the maximum speed is greater than 130 kph the Clerk of the Course must be a Road Race National B official or above. This will be known as Supermoto R.
- 7 On venues where the average lap speed is expected to be less than 65 kph and the maximum speed is less than 130 kph the Clerk of the Course can be a National MX or Road Race National C official or above. This will be known as Supermoto X.
- 8 A Riders Briefing will be conducted by the Clerk of the Course before the start of practice or as detailed in the Final Instructions.

SECTION 2 LICENCES – COMPETITORS

2.1 GENERAL

- 1 To participate in Supermoto events an annual Licence issued by the ACU is required. Residents in Scotland apply to the Scottish ACU.
- 2 A Licence can be upgraded at any time during the year.
- 3 The parent or legal guardian must accompany all competitors, or participants in parades, under 18 years of age to every meeting. This person must attend at signing-on and be present throughout the meeting.

2.2 GRADES

- 1 **Clubman** Entry level for all first time applicants.
- 2 **National** After competing and finishing in 10 races at 10 separate race days at 3 different venues during the current year and preceding 3 years Clubman Competitors may apply to be upgraded to a National licence.
- 3 **International** National licence holders who have held their National licence for 12 months and who have competed at a minimum of 3 meetings in the previous 12 months may apply for an

FIM Non-Championship International licence.

A medical examination is required.

- 4 **International Championship** National licence holders who have held their National licence for 12 months and who have competed at a minimum of 3 meetings in the previous 12 months may apply for a Championship licence as described in the appropriate Sporting Code of the UEM or FIM.
A medical examination is required.

2.3 LAPSED LICENCES

Licence holders who have allowed their licence to lapse for more than 3 years will be issued with a clubman licence.

2.4 CAPACITY AND LICENCE RESTRICTIONS

For each category the tables indicate the minimum licence requirements for their specified ages and machines

Min Age	Grade	Capacity/Machine
11 yrs	All	up to 125cc two stroke or 250 cc four stroke
14 yrs	All	up to 250cc two strokes and 450cc four strokes.
16 yrs	All	up to 750cc four strokes

Important Notice If a participant is under 18 years of age he/she must be accompanied to every meeting by their Parent or Legal Guardian. The Parent or Legal Guardian must attend signing on with the competitor and be available for the duration of the meeting.

SECTION 3 LICENCES AND REGISTRATIONS – OFFICIALS

3.1 QUALIFICATIONS AND CONDITIONS

Supermoto Officials are divided into two categories:

Those that are Licenced and those that are Registered. Fees may be charged in respect of any Licences or Registration or for the appropriate form of identification issued.

Licences: Senior Supermoto Officials are required to hold an ACU Licence of the appropriate Grade for the performance of their duties.

Registration: A Register is maintained of Officials not required to hold a Licence.

3.2 SUPERMOTO OFFICIALS WHO REQUIRE A LICENCE

	See Note Below	Attendance at Seminar/Training Session
Clerk of the Course	1	Every third year maximum
Chief Steward	2	Every third year maximum
Chief Technical Officer	3	Every third year maximum
Sound Inspector		Required for First Issue only
Measurer	4	Required for First Issue only
Timekeeper	5	Equipment and operators check

All the above licences are valid for 3 years

Clubs and Centres shall only nominate candidates whose aptitude and integrity for the position they can fully justify. Official ACU approval and the issue of a Licence is only after the candidates have proved to be competent according to the special requirements for each discipline. The respective Committees and Panels organise Seminars that are compulsory for certain Officials.

3.3 GRADES FOR SUPERMOTO CLERK OF THE COURSE

- 1 Probationary
Any club may nominate a Probationary Clerk of the Course. Such a Registered Official may only act as an Assistant Clerk of the Course at a Closed to Club event.
- 2 Road Race National Grade C or National Grade A Motocross
A Clerk of the Course who may officiate at a Supermoto X meeting. May act as Deputy or Assistant Clerk of the Course at a Supermoto R Meetings.
- 3 Road Race National Grade B
A Clerk of the Course who may officiate at a Supermoto R meeting.

Note 1 Clerk of the Course

Age Limits: Regardless of age or type of licence held Clerks of the Course of all grades may not officiate beyond the end of the season in which they attain their 70th birthday.

Note 2 Chief Steward

Grading: There is only one grade of Steward's Licence for all Road Race disciplines.

Age Limits: Stewards may not normally officiate beyond the end of the season in which they attain their 70th birthday. The Road Race, Drag and Sprint Committee will review Stewards who reach the age of 70 for appointments on an annual basis.

Note 3 Chief Technical Officer

The Chief Technical Officer will be licenced by the Technical Panel to be in charge of the Technical Control at an event. The Technical Panel may restrict the disciplines of licence holders.

Note 4 Measurer

The Measurer is required for ACU National Championships and National events. The Licence is issued by the Technical Panel and may be restricted by discipline.

Note 5 Timekeepers

Will be required to pay for their Licence.

Licence Fees:

All licences (exception Timekeepers licences) will be issued, free of charge, for a period of three years. No fee will be charged for attendance at all Seminars organised by the Road Race Drag and Sprint Committee or the relevant Panel with the exception of FIM Seminars.

3.4 SUPERMOTO OFFICIALS WHO DO NOT REQUIRE A LICENCE

Registration of the officials and marshals below will be renewed annually and they will receive an appropriate form of identification from the ACU.

	See Note Below	Attendance at Seminar/Training Session
Incident Officer	1 and 4	May attend Clerk of the Course Seminar at ACU HQ for information purposes
Secretary of the Meeting	2 and 4	Will receive Training at meetings and if required at Regional or ACU HQ Seminars
Technical Official		Will receive training via the Chief Technical Officer at meetings. May attend Regional Training Seminars
Club Stewards	3	May attend Regional or ACU HQ Seminars for information purposes
Chief Marshal		May receive training at ACU HQ or Regional Training Days
Marshal		May receive training at Regional Training days and at meetings via the Chief Marshal
Medical Officer		None required

Note 1 Incident Officer

Will collate all information and documentation, and prepare reports relating to serious accidents and to all incidents involving Officials or Spectators

Note: A Deputy Clerk of the Course may undertake these duties. An Incident Officer may be nominated to attend a Clerk of the Course Seminar to assist with these duties.

Note 2 Secretary of the Meeting

Will be responsible for all administration connected with the organisation of a meeting.

Note 3 Club Stewards

Will together with the Chief Steward form the judicial authority over the running of the meeting.

Note 4 Incident Officer and Secretary of the Meeting

Currently there is no requirement for these officials to be Registered for Road Race Disciplines.

SECTION 4 PRACTICE

4.1 A MINIMUM PERIOD OF TIME MUST BE PUT ASIDE FOR THE PRACTICE SESSIONS AND MENTIONED IN THE SUPPLEMENTARY REGULATIONS OF THE MEETING.

- 1 Riders will commence practice under the instructions of the Start Officials.
- 2 The duration of practice will commence from the time the 1st rider joins the circuit.
- 3 The end of practice will be indicated by the waving of a chequered flag at which time the pit exit will be closed. A rider's time will continue to be recorded until he passes the finish line after the allotted time has lapsed.
- 4 If practice is interrupted due to an incident or any other reason then a red flag will be displayed at the start line and at marshals posts. All riders must return slowly to the pit lane or as otherwise instructed by the Marshals under the direction of the Clerk of the Course.
- 5 When the practice is restarted the time remaining will be decided by the Clerk of the Course.

SECTION 5 GRID POSITIONS

5.1 POSITIONS

- 1 Pole position, and the configuration of the grid, will be determined at the time of the Track Inspection.
- 2 Grid positions will be established according to the provisions of the Supplementary Regulations.

5.2 TIMED PRACTICE

- 1 Where timed practice is used and identical times are recorded by more than one rider in the official qualifying practice session for the race the rider first setting such a time will receive the better starting position.
- 2 A qualifying maxima may be specified in the Supplementary Regulations.

5.3 BALLOTTED

- 1 Where the Organiser decides that the grid positions will be by ballot this must be conducted by the competitors at the meeting.

5.4 ALLOCATED

- 1 Organisers wishing to allocate grid positions will specify this and the method to be adopted in the Supplementary Regulations.

5.5 SUPERPOLE

- 1 The riders, as detailed in the Supplementary Regulations, will take part in the Superpole.
- 2 Each Rider will have one warm-up lap, one timed lap and one slowing down lap.
- 3 The Rider with the fastest timed lap will have pole position for the race, the second fastest the second grid position and so on. Any rider that does not complete the Superpole will start the race from the last grid position allocated to Superpole riders.
- 4 If there is a tie for positions the fastest lap during the normal timed qualifying will be used.

SECTION 6 START PROCEDURE

6.1 START METHODS

Races may be started by one of the following methods:

- 1 Group Starts
- 2 Interval Starts

Where competitors are started individually or in groups at pre-determined intervals. e.g. Superpole. Starts will be made with engines running unless specified otherwise in the Supplementary Regulations.

6.2 PROCEDURE

The final choice of motorcycle to be used in a race should be made before the motorcycle is brought into the waiting area.

- 1 15 minutes before the start of the Warm-Up laps: The entrance to the waiting area is open. The motorcycle of each rider must be placed in the waiting area.
- 2 3 minutes before the start of the Warm-Up laps: Sound or whistle signal. Riders may leave the waiting area to take their positions on the starting grid. The entrance from the paddock to the waiting area closes. The penalty for arriving late at the waiting area is loss of starting position. Late arriving motorcycles will be held in the waiting area. The riders concerned must obey the instructions from the officials.
- 3 1 minute before the start of the Warm-Up laps:
 1. The entrance from the waiting area to the grid is closed.
 2. On instructions from the Start Line Official the riders will proceed on the 2 compulsory warm-up laps. Any rider not completing the warm-up laps will start from the back of the grid
 3. The Start Line Official will stand at the front of the starting grid displaying a red flag. A second Official will stand at the back of the starting grid with a green flag and display it when the grid is complete.
 4. Any rider who encounters mechanical problems during the warm-up laps may go to the repair zone and make repairs.
 5. On returning to the grid the riders must take their position with the front wheel of their motorcycle up to the line defining their starting position and keep their engines running.
 6. Once a rider has taken his allocated position on the grid, he cannot change it, return to the pit lane or receive assistance prior to the start.
 7. When all the riders have taken up their grid positions the Official at the rear of the grid will raise the green flag.
 8. Any rider who arrives back from the warm-up laps after the Official at the rear of the starting grid has raised the green flag, will be considered a "late arrival" and start the race from a position behind the Official at the rear of the grid.
 9. If a rider has mechanical problems at the starting grid, he must remain on his motorcycle and raise his arm.
 10. Any rider who is unable to start his motorcycle within a reasonable time, must obey the instructions of the officials and remove his motorcycle from the grid
 11. If he manages to start his machine he may start the race after all other machines have left the grid at the start of the race.
 12. The Startline Official moves to the side of the track, holding up the red flag.
 13. The Startline Official puts down the red flag and the start light sequence begins.
 14. The red lights come on and remain on for upto five seconds the red lights will then be switched off and the Race starts.
 15. Any alteration to this Start Procedure must be conveyed to the riders at the Riders Briefing.

6.3 ANTICIPATION OF THE START

- 1 Anticipation of the start is defined as the motorcycle moving forward when the Red Lights are on.
- 2 Any competitor who takes up the incorrect grid position will also be adjudged to have anticipated the start.
- 3 The Clerk of the Course will award a time penalty of up to 20 seconds to any competitor who anticipates the start. The decision as to an anticipated start is a matter of fact with no right of appeal.

SECTION 7 FLAGS AND LIGHTS

Marshals and other officials display flags or lights to provide information and/or convey instructions to the riders:

7.1 FLAGS AND LIGHTS USED TO PROVIDE INFORMATION**1 GREEN FLAG**

- 1 The track is clear. This flag must be shown motionless at each flag marshal post for the first lap of each practice session and of the warm up, for the sighting lap(s) and for the warm up lap.
- 2 This flag must be shown motionless at the flag marshal post immediately after the incident that necessitated the use of one or more yellow flags.
- 3 This flag must be waved by the starter to signal the start of the warm up lap.
- 4 When the pit-lane exit is open, this flag must be waved at the pit-lane exit.

2 GREEN LIGHT

- 1 This light must be switched on at the pit lane exit to signal the start of each practice session and of the warm up, the start of the sighting lap(s) and the start of the warm up lap.

3 BLUE FLAG

- 1 Shown waved at the flag marshal post, this flag indicates to a rider that he is about to be overtaken.
- 2 During the practice sessions, the rider concerned must keep his line and slow down gradually to allow the faster rider to pass him.
- 3 During the race, the rider concerned is about to be lapped. He must allow the following rider(s) to pass him at the earliest opportunity.
- 4 Any infringement of this rule will be penalised with one or more of the following penalties: fine – disqualification – withdrawal of Championship points.
- 5 At all times, this flag will be shown waved to a rider leaving the pit lane if traffic is approaching on the track.

4 CHEQUERED BLACK/WHITE FLAG

- 1 This flag will be waved at the finish line on track level to indicate the finish of race or practice session.

7.2 FLAGS WHICH CONVEY INFORMATION AND INSTRUCTIONS:**1 YELLOW FLAG**

- 1 Shown waved at each row of the starting grid, this flag indicates that the start of the race is delayed.
- 2 Shown waved at the flag marshal post, this flag indicates that there is a danger ahead. The riders must slow down and be prepared to stop.
- 3 Overtaking is forbidden up until the point where the green flag is shown.

- 4 Any infringement of this rule during a practice session will result in the cancellation of the time of the lap during which the infraction occurred.
- 5 In case of infringement of this rule during the race, a time penalty will be imposed.
- 6 In both cases, further penalties (such as fine – suspension) may also be imposed.
- 7 During the final inspection lap, this flag must be waved at the exact place where the flag marshal will be positioned during the practices, warm ups and races.

2 RED FLAG AND RED LIGHTS

- 1 When the race or practice is being interrupted, the red flag will be waved at each flag marshal post and the red lights around the track will be switched on.
- 2 Riders must return slowly to the pits.
- 3 When the pit-lane exit is closed, this flag will be shown motionless at the pit-lane exit and the light will be switched on. Riders are not allowed to exit the pit lane.
- 4 Any infringement of this rule will be penalised with one or more of the following penalties: fine – disqualification – withdrawal of Championship points – suspension.
- 5 The red flag will be shown motionless on the starting grid at the end of the sighting lap(s) and at the end of the warm up lap(s).
- 6 The red flag may also be used to close the track.
- 7 The red lights will be switched on at the start line for upto 5 seconds to start each race.

3 BLACK FLAG

- 1 This flag is used to convey instructions to one rider only and is displayed motionless at each flag marshal post together with the rider's number.
- 2 The rider must stop at the pits at the end of the current lap and cannot restart.
- 3 Any infringement of this rule will be penalised with one or more of the following penalties: fine – disqualification – withdrawal of Championship points – suspension.

4 BLACK FLAG WITH ORANGE DISK (RADIUS 40 CM)

- 1 This flag is used to convey instructions to one rider only and is displayed motionless together with the rider's number.
- 2 This flag informs the rider that his motorcycle has mechanical problems likely to endanger himself or others, and that he must immediately leave the track.
- 3 Any infringement of this rule will be penalised with one or more of the following penalties: fine – disqualification – withdrawal of Championship points – suspension.

7.3 FLAG DIMENSIONS

The flag dimension should be approximately 80cms in the vertical and 100cms in the horizontal.

7.4 FLAG COLOURS

The Pantones for the colours are as follows:

- Black: Pantone Black C
- Blue: Pantone 286C or 298C
- Red: Pantone 186C
- Yellow: Pantone Yellow C
- Green: Pantone 348C

SECTION 8 BEHAVIOUR DURING PRACTICE AND RACE

8.1 RIDERS MUST OBEY THE FLAG SIGNALS, THE LIGHT SIGNALS, AND THE BOARDS WHICH CONVEY INSTRUCTIONS. ANY INFRINGEMENT TO THIS RULE WILL BE PENALISED ACCORDING TO THE PROVISIONS OF ARTICLE 7.2.

- 1 Riders must ride in a responsible manner which does not cause danger to other competitors or participants, either on the track or in the pit-lane.
Any infringement of this rule will be penalised with one or more of the following penalties: fine – time penalty – disqualification – withdrawal of Championship points – suspension.
- 2 Riders should use only the track and the pit-lane. However, if a rider accidentally leaves the track then he may rejoin it at the place indicated by the marshals or at a place which does not provide an advantage to him. Any infringement of this rule during the practices or warm up will be penalised by the cancellation of the lap time concerned and during the race, by a time penalty.
Further penalties (such as fine – disqualification – withdrawal of Championship points) may also be imposed.
- 3 Any repairs or adjustments along the race track must be made by the rider working alone with absolutely no outside assistance. The marshals may assist the rider to the extent of helping him to lift the machine and holding it whilst any repairs or adjustments are made. The marshal may then assist him to re-start the machine.
- 4 If the rider intends to retire, then he must park his motorcycle in a safe area as indicated by the marshals.
- 5 If the rider encounters a problem with the machine which will result in his retirement from the practice or the race, then he should not attempt to tour at reduced speed to the pits but should pull off the track and park his machine in a safe place as indicated by the marshals.
- 6 Riders are not permitted to return slowly to the pits for remedial work.
- 7 Riders may enter the pits during the race, but taking the motorcycle inside the pit box is not permitted. Any infringement of this rule will be penalised with a disqualification. Refuelling is strictly prohibited.
Riders who stop their engines in the pits may be assisted to re-start their motorcycle by the mechanics.
- 8 Riders are not allowed to transport another person on their machine or to be transported by another rider on his machine.
- 9 Riders who fall from their machine may remount and continue unless the Incident Marshal considers the machine too damaged or the Medical Personnel consider the rider unfit to continue. In this situation Riders who fall from their machine are not permitted to continue with the practice or race until passed fit by the Medical Officer and his machine re-inspected by technical control.
- 10 Riders must not ride or push their motorcycles in the opposite direction of the circuit, either on the track or in the pit lane, unless doing so under the direction of an Official.
- 11 No signal of any kind may pass between a moving motorcycle and anyone connected with the motorcycle's entrant or rider, save for the signal from the time keeping transponder, or legible messages on a pit board or body movements by the rider.
- 12 The carrying of on board cameras is only permitted with the prior approval, in writing of the Clerk of the Course. The installation of the camera must be approved by the Chief Technical Officer. Automatic lap timing devices, provided they do not disrupt official timekeeping methods, are not considered as telemetry.
- 13 A speed limit may be imposed in the Pit Lane.
 1. Any rider found to have exceeded the limit during the practice will be subject to a penalty as described in the Supplementary Regulations.

2. Any rider who exceeds the pit lane speed limit during a race will be penalised with a time penalty as described in the Supplementary Regulations.
3. The Clerk of the Course must communicate the offence to the pit of the rider.
- 14 In the interest of safety, a rider may not stop his machine on the racing surface during the slow down lap, (exception see Art 8.16) when returning to the pits after the chequered flag.
- 15 Stopping on the track during practices and races is forbidden. (exception see Art 8.16)
- 16 During the practice sessions and warm ups, practice starts are permitted, when it is safe to do so, at the pit lane exit before joining the track and after the chequered flag is shown at the end of practice sessions and warm ups, when it is safe to do so.
These practice starts must take place off the racing line.
- 17 The spinning of rear wheels (burn-outs) is strictly forbidden. Breach of this rule will result in a penalty of disqualification.
- 18 Any competitor who in any ACU or MCRCB Permitted Event participates on a machine for which he is not eligible through age or licence restrictions will be penalised by a fine of £500.00 and a suspension for one year from the date of the hearing.
- 19 Riders who enter the Paddock during a race will be deemed to have retired from the race.

SECTION 9 INTERRUPTION OF A RACE

9.1 INTERRUPTION OF A RACE

If the Clerk of the Course decides to interrupt a race, then red flags will be displayed at the finish line and at all marshals' posts and he will switch on the red lights around the circuit, where available.

- 1 Riders must immediately slow down and return to the pit lane, or as directed by the marshals, upon instructions from the Clerk of the Course.
- 2 Only riders still racing when the red flag is displayed will be counted as finishers.
- 3 The results will be the results taken at the last point where the leader had completed a full lap without the red flag being displayed.
- 4 If the results show that less than three laps have been completed by the leader of the race then the race will be null and void and a completely new race will be run.
- 5 If less than 50% of the race has been completed there will be a new race over a distance decided by the Clerk of the Course
- 6 The grid will be in the order of the last time riders crossed the finish line before the red flag was displayed. Riders will return to the Pit Lane, they may change motorcycles. The Clerk of the Course may disqualify any riders who in his opinion caused the race to be interrupted.
- 7 If it is found impossible to restart the race, then the results will count and half Championship points will be awarded.
- 8 If more than 50% of the race distance has been completed by the leader when the red flag is displayed the race will be considered completed. The Clerk of the Course may disqualify any riders who in his opinion caused the race to be interrupted.

9.2 INTERRUPTION OF A RACE AFTER THE CHEQUERED FLAG

If the race is interrupted after the chequered flag, the following procedure will apply:

- 1 For all the riders to whom the chequered flag was shown before the interruption, a partial classification will be established at the end of the last lap of the race.
- 2 For all the riders to whom the chequered flag was not shown before the interruption, a partial classification will be established at the end of the penultimate lap of the race.
- 3 The complete classification will be established by combining both partial classifications as per the lap/time procedure.

SECTION 10 RE-STARTING A RACE THAT HAS BEEN INTERRUPTED

10.1 IF A RACE HAS TO BE RE-STARTED, THEN IT WILL BE DONE AS QUICKLY AS POSSIBLE, CONSISTENT WITH TRACK CONDITIONS ALLOWING. AS SOON AS THE RIDERS HAVE RETURNED TO THE PITS THE CLERK OF THE COURSE WILL ANNOUNCE A TIME FOR THE NEW START PROCEDURE TO BEGIN WHICH, CONDITIONS PERMITTING, SHOULD NOT BE LATER THAN 10 MINUTES AFTER THE INITIAL DISPLAY OF THE RED FLAG.

- 1 The results of the first race must be available to teams before the second part of a race can be started.
- 2 The start procedure will be identical to a normal start with sighting lap(s), warm-up lap etc.
- 3 Conditions for the re-started race will be as follows:
 1. Only riders who are classified as finishers in the first race may re-start.
 2. Motorcycles may be repaired or changed. Refuelling is permitted.
 3. The race distance will be announced by the Clerk of the Course.
 4. The grid position will be based on the finishing order of the first race.

SECTION 11 FINISH OF A RACE AND RACE RESULTS

11.1 FINISH OF A RACE

- 1 When the leading rider has completed the designated number of laps for the race, he will be shown a chequered flag by an official standing at the finish line, at track level.

11.2 CHEQUERED FLAG

- 1 The chequered flag will continue to be displayed to the subsequent riders.
- 2 When the chequered flag is shown to the leading rider, no other rider will be permitted to enter the track from the pit lane.
- 3 In case of a photo-finish between two, or more, riders, the decision shall be taken in favour of the competitor whose front wheel leading edge crosses the plane of the finish line first. In case of ties, the riders concerned will be ranked in the order of the best lap time made during the race.
- 4 The Clerk of the Course may require machines to be presented for post race/practice verification. Where this is required the competitors must be informed before the start of the race or practice session that they must attend the Parc Ferme. Presentation of the machine will imply that it fully complies with the regulations.

11.3 RACE RESULTS

- 1 The results will be based on the order in which the riders cross the line and the number of laps completed.
- 2 To be counted as a finisher in the race and be included in the results a rider must:
 - a – Complete 75% of the race distance.
 - b – Cross the finish line on the race track (not in the pit lane) within two minutes of the race winner. The rider must be in contact with his machine.
- 3 A new lap record for a circuit can only be established by a rider during a race.
- 4 Both for practice and for race, the lap time is the subtraction of the time between two consecutive crossings of the finish line painted on the track.

SECTION 12 SAFETY

12.1 MEDICAL SERVICES. MINIMUM REQUIREMENTS FOR SUPERMOTO MEETINGS

	PERSONNEL			VEHICLES		
	Doctors MO	Paramedic(s) PM	First Aid personnel	Ambulance(s)	Fast Intervention Vehicle	Special Notes
Supermoto (R)	1 MO		2	1	1	
Supermoto (X)		1PM	2	1		(i)
Supermoto (R)	1 MO		2	1		
Test Day						

The following applies to all events run under this code.

- Medical Officer (MO) – Doctor** A medical practitioner (doctor) fully registered with the General Medical Council (GMC), and holding appropriate personal medical malpractice insurance cover (excludes NHS Crown Indemnity).
- Paramedic (PM)** A State Registered Paramedic with the HPC (Health Professions Council) Paramedics must have appropriate personal medical malpractice insurance cover.
- Ambulance** A vehicle registered as an ambulance with the DVLA (Driver and Vehicle Licencing Agency) or similar government licencing authority and complying with FIM minimum equipment regulations for a type C vehicle; that is:
 Medical: A stretcher (preferably standardised), oxygen supply, apparatus to immobilise limbs and vertebral column. First aid medicaments and materials.
 Technical: Radio communication. Visible and audible signals.
 Staffing: An ambulance must be staffed by 2 First Aid Personnel (who can be two of the minimum First Aid Personnel required in the table).
 An ambulance may act as a Medical Centre BUT if so it must be a vehicle additional to the minimum ambulance requirement.
- First Aid Personnel** A person holding a current certificate of First Aid competency. (Where an event is open to the public event organisers should ensure that all First Aid personnel are insured against malpractice for the event concerned)
 Special Note (i) The minimum medical requirements specific for this discipline also apply to associated Test Days.
- Medical Examination** At any time during a meeting the Clerk of the Course may require a competitor to undergo a medical examination to determine his fitness to ride. The decision of the medical officer is final without right of appeal.

12.2 TRACK SAFETY PRECAUTIONS

- The safety precautions of circuits will be as laid down for each permanent course licence or temporary course certificate following an inspection of the course.
- It should be generally realised that the organisers of speed events have a legal responsibility to the general public and therefore it is the duty of these organisers to ensure that all reasonable precautions are taken to protect the public.
- Whilst organising clubs are insured under the Promoters Third Party Policy in respect of their legal liability, it is a condition of the policy that the promoters of an event must comply strictly with the National Sporting Code and any additional requirements as may be specified by the Permanent Course Licence or Temporary Course Certificate.
 Clubs failing to do so stand in grave danger of any claims being repudiated to the club by the insurers under the terms of the policy covering legal liability.
- The safety precautions to be adopted are provided with the Permanent Course Licence or

- Temporary Course Certificate for the particular course but the following general requirements must be observed.
- 5 The attention of organisers is drawn to the provision of the NSC which stipulates that no alteration of the requirements contained in the Permanent Course Licence or Temporary Course Certificate shall be made without the prior approval, in writing, of the ACU.
 - 6 It is recognised that circumstances may arise in which it is necessary to make certain alterations to the course on the day of the meeting but any such alterations must be approved by the Stewards of the Meeting and details given in their report to the authority granting the permit.

12.3 FIRE EXTINGUISHERS

Each working vehicle in the Paddock must have a 2 Kg (minimum) dry powder fire extinguisher available for immediate use. This extinguisher must show the date of the last annual inspection. Non-compliance with this regulation will incur a penalty imposed by the Clerk of the Course.

12.4 FIRE EXTINGUISHERS AT CIRCUITS

At all race and speed events, there must be a valid certificate, issued annually immediately prior to the start of each season's racing by the manufacturer or his agent, to the effect that all fire extinguishers are in effective working order. This certificate must be available for inspection by the Stewards. All fire posts must be clearly marked. In addition to the fire equipment at each post there must be:

- 1 Fire extinguishers in the paddock and assembly area.
- 2 At least two fire extinguishers in the Technical Control Area.
- 3 Fire extinguishers in every medical room/centre.
- 4 In the case of National or lesser events during which machines may be refuelled and more than five gallons (22 litres) of fuel is held in any one pit, there shall be a minimum of one fire tender and crew in attendance, appropriately equipped and with immediate access to the pit area. International events must comply with appropriate FIM requirements.

12.5 WARNING AND PROHIBITION SIGNS AT CIRCUITS

1 WARNING NOTICES

The following requirements regarding the display of Warning notices are applicable to all Road Racing events.

- 1 WARNING NOTICE (A) (29 × 20 inches.) Warning notices as detailed below must be displayed on each side of every entrance to the course, including the entrance to car parks and paddock.
These notices must be prominently displayed where they can be easily read by the public before any admission charge is paid, or where no admission charge is made before entry is gained into the circuit.
Where it is not possible to define the limits of the site and to control admission of the public (e.g. War Department and heath land) warning notices must be profusely displayed around the course and also in the car parks.
- 2 WARNING NOTICE (B) (20 × 15 inches.) Those parts of the course to which the public may be admitted and where it is neither practical nor necessary to erect a barrier, e.g. those parts of the course which are straight and are only used by the public to reach other parts of the course, may be indicated by the erection of the special type of Warning Notice (B).
These notices should be displayed at least 30ft. from the course. It is recommended that the limit of these areas should also be defined by a boundary tape.

2 PROHIBITION NOTICES

The following requirements regarding the display of Prohibition notices are applicable to all Road Racing events.

PROHIBITED AREA NOTICE (C) (29 × 20 inches.) Areas where the public are not permitted must be clearly defined by the display of an adequate number of “Prohibited Area” notices (B). Notices should be displayed within the prohibited area, facing the public.

12.6 DECLARATION – ADMISSION TICKETS, ARMBANDS AND PASSES

Subject to the provision of the Sunday Observance Act 1780, no person may be allowed to any part of the circuit without a suitable pass or ticket. All tickets and passes must bear the following wording shown below in full and if the wording appears on the reverse side then the words “ For Conditions of Admission See Over” must be clearly printed on the face thereof. Where a ticket is cancelled by being torn in half, the full wording and, where applicable, the “For conditions of admission see over” must appear on each half. Where a charge is made for admission into special or “reserved” enclosures a ticket bearing the approved declaration must be issued in exchange for payment to enter these enclosures.

Declaration.

WARNING. MOTOR SPORT CAN BE DANGEROUS. Despite the organisers taking all reasonable precautions, unavoidable accidents can happen. Please comply with all instructions of marshals and notices and remain in permitted areas only. THEY ARE CONCERNED WITH YOUR SAFETY. All vehicle passes must bear the same wording and comply with the above requirements.

12.7 DECLARATION ON THE OFFICIAL PROGRAMME

The declaration as outlined above should be printed in full on the outside front cover of all Official Programmes. Where this is not possible it must be printed in full in the programme and the words “For conditions of admission see inside” printed on the outside cover.

12.8 SIGNING ON

All riders, passengers, officials and assistants, press and team crew must sign a declaration on the relevant signing on form (available from the ACU).

1 Age Limits for Officials

All event Executive and Administrative Officials shall be 18 years of age or over.

2 Age Limits for Marshals

1. All Assistant Officials whose function is to be carried out at the immediate track-side must be at least 16 years of age.
2. All Assistant Officials who are under 18 years of age must have obtained parental agreement to carry out the duty and the signing-on signature must be countersigned by the person responsible for the official at the event.
3. When using the services of officials under 18 years of age for any duties at any event special attention must be given to any risks which may be associated with the duty, and to the previous experience of the official.

SECTION 13 TECHNICAL SPECIFICATIONS

All machines must comply with the National Sporting Code Appendix B and general technical regulations. Any part of the motorcycle except the frame can be modified, altered or replaced.

13.1 CLASSES

- 1 SM4 – Junior Class up to 125cc two stroke single cylinder or up to 250cc four stroke single cylinder machines
- 2 SM2 – 450 Class up to 450cc two or four stroke single or twin cylinder machines
- 3 SM1 – Open Class 251 to 750cc two or four stroke single or twin cylinder machines

13.2 NOISE CONTROL

The noise limit is 96 dB/A with no post race tolerance. The noise is measured according to the FIM Sound Control method.

13.3 NUMBER PLATES

Junior Class	White numbers on Green (RAL code 6002) plates
450 Class	Black numbers on White (RAL code 9010) plates
Open Class	Black numbers on Yellow (RAL code 9005) plates

All numbers must comply with the numbers diagram printed elsewhere in this handbook.

13.4 PROTECTIVE CLOTHING

During practice and racing riders and passengers must wear the following clothing and footwear:

- 1 A complete all in one leather suit of at least 1.2mm in thickness on all parts of the suit, suits zipped together at the waist are not permitted. Non-leather material may be used if it meets with the following requirements.
- 2 The following characteristics of the material must be at least equivalent to 1.5mm of cowhide (not split leather). Fire retardant quality – Resistance to abrasion – Coefficient of friction against all types of asphalt – perspiration absorbing qualities – Medical test – non toxic and non allergenic – Fabric of a quality that does not melt. It must be non-flammable.
- 3 The following areas must be padded with at least a double layer of leather or enclosed plastic foam at least 8mm thick:
Shoulders, elbows, both sides of the torso and hip joint, the back of the torso, knees.
- 4 Competitors must wear complete undergarments if they use suits which are not lined. Suitable undergarments may be of the Nomex type, they may also be of silk or simply cotton. Synthetic materials which may melt and which could harm the riders skin in an accident are not allowed, neither for the suit nor for the undergarments.
- 5 Competitors footwear must be of leather or an approved substitute material and of a minimum height of 200mm to provide, with the suit, complete protection (i.e. no exposed areas).
- 6 Competitors must wear leather protective gloves.
- 7 The use of metallic material in any item of clothing or personal protection which regularly comes into contact with the track is prohibited (i.e. metal studs in knee sliders, boots etc.).
- 8 A back protector is compulsory.

13.5 HELMETS

Helmets bearing the current ACU gold stamp and in sound condition and properly fitted must be worn by all riders and passengers while practising and racing. Overseas riders may use helmets as approved by their own FMN.

13.6 IDENTIFICATION DISCS

While practising and racing, riders and passengers are required to wear an identification disc around the neck, attached by a material approved by the technical officer. Thin chains should be avoided. The disc must be permanently marked with the wearer's full name and date of birth.

Identification discs shall be of a durable material, circular in shape, between 20mm and 25mm in diameter and having rounded edges with no sharp or ragged projections.

13.7 BODY JEWELLERY

It is recommended that any body piercing studs, ring etc. are removed.

Drag Race

SECTION 1 MEETINGS

1.1	Categories of Meetings	332
1.2	International	332
1.3	European Open	332
1.4	National	332
1.5	Open	332
1.6	Restricted	332
1.7	Eligibility of Foreign Riders in Open and Restricted Meetings	333
1.8	Practice Meetings and Test Days	333
1.9	Conditions for Drag Meetings	333

SECTION 2 LICENCES – COMPETITORS

2.1	General	333
2.2	Grades	333
2.3	Lapsed Licences	335
2.4	Capacity and Licence Restrictions for Junior Competitors	335

SECTION 3 LICENCES AND REGISTRATIONS – OFFICIALS

3.1	Qualifications and Conditions	335
3.2	Drag Officials who require a Licence	336
3.3	Grades for Clerk of the Course	336
3.4	Drag Officials who do not require a Licence	337

SECTION 4 BEHAVIOUR AT A MEETING

4.1	Any infringement of these rules will be penalised	337
-----	---	-----

SECTION 5 SAFETY

5.1	Medical Services Minimum Requirements for Drag Meeting	338
5.2	Track Safety Precautions	338
5.3	Fire Extinguishers	339
5.4	Fire Extinguishers at Circuits	339
5.5	Warning and Prohibition Signs at Circuits	339
5.6	Declaration – Admission Tickets, Armbands and Passes	340
5.7	Declaration on the Official Programme	340
5.8	Signing on	340

SECTION 6 GENERAL SPECIFICATIONS OF MOTORCYCLES

6.1	Brakes	340
6.2	Tyres	341
6.3	Appearance	341
6.4	Capacity Restrictions	341
6.5	Drain Plugs	341
6.6	Fuel Lines	341
6.7	Fuel Tanks	341
6.8	Fuel Pumps	341
6.9	Fuels	341
6.10	Nitrous Oxide Injection Systems	341
6.11	Overflows	342

6.12	Handlebars and Control Levers	342
6.13	Throttle	342
6.14	Streamlining	342
6.15	Engine	343
6.16	Engine Restraints	343
6.17	Ignition	343
6.18	Computers	343
6.19	Gear Shift Systems	343
6.20	Footrests	343
6.21	Batteries	343
6.22	Numbers	343
6.23	Primary Transmission	343
6.24	Ground Clearance	344
6.25	Drive Chains and Guards	344
6.26	Superchargers/Turbochargers	344

SECTION 7 PROTECTIVE CLOTHING

7.1	Protective Clothing	344
7.2	Body Jewellery	344
7.3	Helmets	344
7.4	Identification Discs	344

SECTION 8 9.50 BIKE

8.1	Carburettor	345
8.2	Clutch	345
8.3	Engine	345
8.4	Exhaust	345
8.5	Frame	345
8.6	Gearbox	345
8.7	Lights and Mirrors	345
8.8	Mudguards	345
8.9	Seat	345
8.10	Stands	345
8.11	Superchargers and Turbochargers	345
8.12	Nitrous Oxide Injection	345
8.13	Suspension	345
8.14	Tyres	345
8.15	Wheels	346
8.16	Wheelie Bars	346

SECTION 9 SUPER STREET BIKE

9.1	Carburettor	346
9.2	Clutch	346
9.3	Engine	346
9.4	Exhaust	346
9.5	Frame	346
9.6	Gearbox	346
9.7	Lights and Mirrors	346
9.8	Mudguards	346
9.9	Seat	346
9.10	Stands	346

9.11	Superchargers and Turbochargers	346
9.12	Nitrous Oxide Injection	346
9.13	Suspension	347
9.14	Tyres	347
9.15	Wheels	347
9.16	Wheelie Bars	347

SECTION 10 8.50 BIKE

10.1	Clutch and Primary Transmission	347
10.2	Engine	347
10.3	Exhaust	347
10.4	Frame	347
10.5	Mudguards	347
10.6	Seat	347
10.7	Superchargers/Turbochargers	347
10.8	Front Tyre	348
10.9	Wheels	348
10.10	Wheelbase	348

SECTION 11 PRO STOCK BIKE (PS)

11.1	Definition	348
11.2	Frames	348
11.3	Front Suspension	348
11.4	Controls	348
11.5	Body	348
11.6	Seats	349
11.7	Wheels	349
11.8	Tyres	349
11.9	Wheeliebar	349
11.10	Engine	349
11.11	Cylinder Head	349
11.12	Fuel Injection	349
11.13	Ignition	349
11.14	Fuel	349
11.15	Weight Breaks	349
11.16	Transmission	350
11.17	Engine/Weight Control	350

SECTION 12 COMPETITION BIKE (CB)

12.1	Clutch and Primary Transmission	350
12.2	Engine	350
12.3	Exhaust	350
12.4	Frame	350
12.5	Mudguards	350
12.6	Seat	350
12.7	Superchargers/Turbochargers	350
12.8	Front Tyre	351
12.9	Wheels	351
12.10	Wheelbase	351

SECTION 13 TOP FUEL (TF)

13.1	Designation	351
13.2	Engine	351
13.3	Engine/Weight Control	351
13.4	Body	351
13.5	Frame	352
13.6	Front Suspension	352
13.7	Exhaust	352
13.8	Superchargers	352
13.9	Fuel Shut Off	352
13.10	Throttle Linkage	352
13.11	Wheels and Tyres	352

SECTION 14 FUNNY BIKE (FB)

14.1	Designation	352
14.2	Class Requirements	352
14.3	Fuel Shut Off	353

SECTION 15 JUNIOR DRAG BIKE (JRB)

15.1	Engine	353
15.2	Suspension and Brakes	353
15.3	Frame	353
15.4	Wheels and Tyres	353
15.5	Body	353
15.6	Starting	353

SECTION 16 SUPER TWINS

16.1	Categories	353
16.2	Super Twin Top Fuel	354
16.3	Super Twin Et Bike	354
16.4	Super Twin Top Gas	355

SECTION 17 ACU/UK DRAG BIKE CHAMPIONSHIP

17.1	Classes	356
17.2	Eligibility	356
17.3	Specifications	356
17.4	Classification	356
17.5	Points	356
17.6	Ties	357
17.7	Awards	357
17.8	Publicity	357
17.9	Abandonment	357
17.10	Establishing Records	358
17.11	Qualifying	358
17.12	Choice of Lane	358
17.13	Elimination Ladder and Field Sizes	358
17.14	Alternates	358
17.15	Staging	358
17.16	First Or Worst Procedure	358
17.17	Machine Weighing	359
17.18	Series Co-Ordinator	359
17.19	Race Results	359

The National Sporting Code of the ACU and the Standing Regulations together with the Supplementary Regulations and any Final Instructions shall apply to all Drag Races held under an ACU Permit.

SECTION 1 MEETINGS

1.1 CATEGORIES OF MEETINGS

- International Meetings
- European Open Meetings
- National Meetings
- Open Meetings
- Restricted Meetings

Permits for all Drag Race competitions are issued by ACU Headquarters.

1.2 INTERNATIONAL

- 1 The Permit shall be issued by the ACU Headquarters for a meeting inscribed on the International Calendar of the FIM and having an FIM International Meeting Number (IMN).
- 2 An International meeting is open to Entrants and Riders of more than one nation who must hold an International Licence or a National Licence issued by the ACU valid for the particular meeting concerned.
- 3 All riders not holding a Licence issued by the ACU or SACU must carry proof of Insurance and a written Start Permission document issued by their FMN.

Note: This includes all riders holding a licence issued by the MCUI.

1.3 EUROPEAN OPEN

- 1 The permit shall be issued by ACU Headquarters for a meeting inscribed on the Calendar of the Union of European Motorcycling (UEM) and having a European Meeting Number (EMN).
- 2 A European Open meeting is open to Entrants and Riders of more than one European nation who must hold the appropriate Competition Licence valid for the particular meeting concerned.
- 3 All riders not holding a Licence issued by the ACU or SACU must carry proof of Insurance and a written Start Permission document issued by their FMN.

Note: This includes all riders holding a licence issued by the MCUI.

1.4 NATIONAL

- 1 The Permit shall be issued by the ACU Headquarters.
- 2 A National meeting is open to Entrants and Riders who are the holders of a National or International Licence valid for the particular meeting concerned issued by any Federation.
- 3 All riders not holding a Licence issued by the ACU or SACU must carry proof of Insurance and a written Start Permission document issued by their FMN.

Note: This includes all riders holding a licence issued by the MCUI.

1.5 OPEN

- 1 An Open permit is issued by ACU Headquarters.
- 2 An Open meeting is open to Entrants and Riders who hold a valid ACU or SACU Licence for the meeting concerned.

1.6 RESTRICTED

- 1 A Restricted Permit is issued by ACU Headquarters.
- 2 A Restricted meeting is open to Entrants and Riders who hold a current ACU Licence valid for the meeting concerned.

- 3 The Supplementary Regulations issued for the event must specify all restrictions and requirements of eligibility.

1.7 ELIGIBILITY OF FOREIGN RIDERS IN OPEN AND RESTRICTED MEETINGS

- 1 The Supplementary Regulations issued for the event must specify the licence qualification and eligibility requirements of foreign riders.
- 2 All riders must have a current Licence and Start Permission from their own Federation valid for the event.

1.8 PRACTICE MEETINGS AND TEST DAYS

- 1 Permits for Practice Meetings and Test Days may be issued on application to the Permit Issuing Authority.
- 2 No such event may be held unless the appropriate Permit and Insurance has been issued.

1.9 CONDITIONS FOR DRAG MEETINGS

- 1 The ACU Road Race Committee must approve the Organiser.
- 2 The Venue must hold a current Track Licence or Track Certificate issued by the ACU Road Race Committee.
- 3 The ACU Secretariat must approve the Supplementary Regulations for the event and issue an ACU Permit prior to publication and circulation.
- 4 For all ACU Championships an ACU decal, supplied by the ACU Secretariat, must be displayed on the number plate of each machine. Any rider not complying will be disqualified from the results of the race.
- 5 The Race Control must remain operative with all equipment in place until the end of the period provided for the lodging of a protest, and all officials and marshals must remain at the circuit and available to the Clerk of the Course and the Stewards during that period.
- 6 There will be a minimum turn-around time of 30 minutes for all classes except for Pro-stock and Funny Bike where the turn-around time will be 45 minutes and for Top Fuel where the turn-around time will be 60 minutes. In all cases these turn-around times are subject to track conditions permitting.

SECTION 2 LICENCES – COMPETITORS

2.1 GENERAL

- 1 To participate in Drag Race events a Licence issued by the ACU is required. Residents in Scotland apply to the Scottish ACU.
- 2 A Licence can be upgraded at any time during the year, providing the correct criteria have been complied with.
- 3 The parent or legal guardian must accompany all competitors under 18 years of age to every meeting. This person must attend at signing-on and be present throughout the meeting.
- 4 A Clubman Licence will be issued to all new riders to include a record form, which, on completion of requirements set out below, will be completed by the Clerk of the Course at a RWYB meeting or an ACU recognised event.
- 5 Any rider competing on a new bike to him/her must first complete single runs to the satisfaction of the Clerk of the Course.

2.2 GRADES

- 1 **Clubman**
Entry level for first time applicants for Category 1 or Category 2 machines.
Category 1
8.50

9.50

Super Twin Top Gas (STG)

Super Twin RET Bracket (SET)

Clubman Licence holders can compete on a Category machine 1 once they have completed the following requirements to the satisfaction of an ACU Clerk of the Course.

- Be conversant with the start & race procedure;
- Perform a tyre burnout and start correctly
- Complete a satisfactory Launch.
- Make a half pass (½ mile) under power to the satisfaction of the Clerk of the Course;
- Make a full run (¼ mile) representative of the performance expected within the category.

All tasks must be made as single runs during qualifying sessions at an ACU recognised drag race meeting or under the control of an ACU licenced National or International Drag Race Clerk of the Course at RWYB meetings.

The Clerk of the Course may request the rider to repeat tasks until they are satisfied a satisfactorily safe standard has been achieved, which may take more than one race meeting and is at the sole discretion of the Clerk of the Course.

The ¼ mile pass will count towards qualifying at an ACU recognised event.

Category 2 – Riders 18 yrs of age and over

Clubman licence holders are not eligible to compete on Category 2 machines. They are permitted to ride a category 2 machine to complete the tasks required to upgrade to a National licence as detailed below.

Super Twin Top Fuel (STF)

Super Street Bike

Competition Bike

Pro Stock Bike

Funny Bike

Top Fuel Bike

2. **National**

Clubman Licence holders who have completed the following tasks to the satisfaction of an ACU National or International Clerk of the Course and whose record card has been endorsed by the Clerk of the Course for each task completed may apply to upgrade to National.

- Be conversant with the start & race procedure;
- Perform a tyre burnout and start correctly
- Complete a satisfactory Launch.
- Make a half pass (½ mile) under power to the satisfaction of the Clerk of the Course;
- Make a full run (¼ mile) representative of the performance expected within the category.

All tasks must be made as single runs during qualifying sessions at an ACU recognised drag race meeting or under the control of an ACU licenced National or International Drag Race Clerk of the Course at RWYB meetings.

The Clerk of the Course may request the rider to repeat tasks until they are satisfied a satisfactorily safe standard has been achieved, which may take more than one race meeting and is at the sole discretion of the Clerk of the Course.

National licence holders are eligible to compete on Category 1 or Category 2 machines.

National licence holders who have competed at 3 ACU permitted events may apply for Start Permission to compete abroad.

3. **International**

National Licence holders who have held their National Licence for 12 months may apply for an FIM Non-Championship Licence.

A medical examination is required.

4. International Championship

National Licence holders who have held their National Licence for 12 months may apply for a UEM or FIM Championship Licence as described in the appropriate Sporting Code.
A medical examination is required.

2.3 LAPSED LICENCES

Clubman or National Licence holders who have allowed their Licences to lapse for more than 3 years will be re-issued with a Clubman Licence and will be required to complete the criteria set out above to retain the Clubman Licence or upgrade to the National Licence.

2.4 CAPACITY AND LICENCE RESTRICTIONS FOR JUNIOR COMPETITORS

For each category the table indicates the minimum licence requirements for their specified ages and machines.

Riders must be a minimum of 8 years of age.

To be eligible to enter Junior Pro Bike, a rider must be at least 14 years of age and must have competed in Junior Bike Mod for a minimum of five ACU Junior Drag Bike meetings.

Class	Engine Restrictions	Min Age	Max Age	Min ET
Junior Bike	50cc automatic	8	11*	12.90
Junior Mod Bike	125cc	11	17*	8.90
Junior Pro Bike	200cc	14	17*	7.90

***A rider may compete in a class until the end of the calendar year in which he reaches the maximum age for that class.**

Junior riders will compete over a maximum distance of 1/8 mile, and will be run on an ET dial in basis.
Important Notice

If a participant is under 18 years of age he/she must be accompanied to every meeting by their Parent or Legal Guardian. The Parent or Legal Guardian must attend signing on with the competitor and be available for the duration of the meeting.

Penalties

A rider recording an ET of 0.2 seconds or less below their class minimum will receive one warning. A repetition of the offence at the same event will result in disqualification from the remainder of the event.

A rider recording a time of more than 0.2 seconds below their class ET or exceeding 85mph will be will be disqualified from the event.

SECTION 3 LICENCES AND REGISTRATIONS – OFFICIALS

3.1 QUALIFICATIONS AND CONDITIONS

Drag Officials are divided into two categories: Those that are Licensed and those that are Registered. Fees may be charged for attendance at Seminars. Licences: Senior Drag Officials are required to hold an ACU Licence of the appropriate Grade for the performance of their duties.
Registration: A Register is maintained of Officials not required to hold a Licence.

3.2 DRAG OFFICIALS WHO REQUIRE A LICENCE

	See Note Below	Attendance at Seminar/Training Session
Clerk of the Course	1	Every third year maximum
Chief Steward	2	Every third year maximum
Chief Technical Officer	3	Every third year maximum
Sound Inspector		Required for First Issue only
Measurer	4	Required for First Issue only
Timekeeper	5	Equipment and operators check

All the above licences are valid for 3 years

Clubs and Centres shall only nominate candidates whose aptitude and integrity for the position they can fully justify. Official ACU approval and the issue of a Licence is only after the candidates have proved to be competent according to the special requirements for each discipline. The respective Committees and Panels organise Seminars that are compulsory for certain Officials.

3.3 GRADES FOR CLERK OF THE COURSE

- 1 Probationary.** Any club may nominate a Probationary Clerk of the Course. Such a Registered Official may only act as an Assistant Clerk of the Course at a Closed to Club event.
- 2 National Grade D.** A Clerk of the Course who may officiate at any Closed to Club, National Restricted or National event for Hill Climb, Drag or Sprint. May officiate as a Deputy to a National Grade E Clerk of the Course.
- 3 National Grade E.** A Clerk of the Course who may officiate at any event held under an ACU Permit for Hill Climb, Drag or Sprint. May officiate as a Deputy or Assistant to an FIM International Clerk of the Course for Hill Climb, Drag or Sprint. To upgrade from a National D to a National E a licence holder must officiate as a National D Clerk of the Course at 5 events. He must act as a Deputy to a National E Clerk of the Course at 5 events and be recommended by the Clerk of the Course at each.

In addition members of the Road Race, Drag and Sprint Committee may be appointed to observe him.

A club must nominate him as being required to take charge of a specific future event.

Note 1 Clerk of the Course

Age Limits: Regardless of age or type of licence held Clerks of the Course of all grades may not officiate beyond the end of the season in which they attain their 70th birthday.

Note 2 Chief Steward

There is only one grade of Steward's Licence for all Road Race disciplines

Age Limits: Stewards may not normally officiate beyond the end of the season in which they attain their 70th birthday.

The Road Race, Drag and Sprint Committee will review Stewards who reach the age of 70 for appointments on an annual basis.

Note 3 Chief Technical Officer

The Chief Technical Officer will be licenced by the Technical Panel to be in charge of the Technical Control at an event.

The Technical Panel may restrict the disciplines of licence holders.

Note 4 Measurer

The Measurer is required for ACU National Championships and National events. The Licence is issued by the Technical Panel and may be restricted by discipline.

Note 5 Timekeepers

Will be required to pay for their Licence.

Licence Fees: All licences (exception Timekeepers licences) will be issued, free of charge, for a period

of three years. A fee will be charged for attendance at all Seminars organised by the Road Race Drag and Sprint Committee or the relevant Panel.

3.4 DRAG OFFICIALS WHO DO NOT REQUIRE A LICENCE

Registration of the following officials and marshals will be renewed annually and they will receive an appropriate form of identification from the ACU.

	See Note Below	Attendance at Seminar/Training Session
Incident Officer	1 and 4	May attend Clerk of the Course Seminar at ACU HQ for information purposes.
Secretary of the Meeting	2 and 4	Will receive Training at meetings and if required at Regional or ACU HQ Seminars.
Technical Official		Will receive training via the Chief Technical Officer at meetings. May attend Regional Training Seminars
Club Stewards	3	May attend Regional or ACU HQ Seminars for information purposes
Chief Marshal		May receive training at ACU HQ or Regional Training Days
Marshal		May receive training at Regional Training days and at days and at meetings via the Chief Marshal
Medical Officer		None required

Note 1 Incident Officer

Will collate all information and documentation, and prepare reports relating to serious accidents and to all incidents involving Officials or Spectators.

A Deputy Clerk of the Course may undertake these duties. An Incident Officer may be nominated to attend a Clerk of the Course Seminar to assist with these duties.

Note 2 Secretary of the Meeting

Will be responsible for all administration connected with the organisation of a meeting.

Note 3 Club Stewards

Will together with the Chief Steward form the judicial authority over the running of the meeting.

SECTION 4 BEHAVIOUR AT A MEETING

4.1 ANY INFRINGEMENT OF THESE RULES WILL BE PENALISED

- 1 Riders who fall from their machine are not permitted to continue in the meeting until passed fit by the Medical Personnel and his machine re-inspected by technical control. In the event of a serious accident organisers may impound any machines, equipment or clothing of riders involved in the accident.
- 2 Riders must not ride or push their motorcycles in the opposite direction of the circuit, unless doing so under the direction of an Official.
- 3 The carrying of on board cameras is only permitted with the prior approval, in writing of the Clerk of the Course. The installation of the camera must be approved by the Chief Technical Officer.
- 4 Stopping on the track during a run is forbidden except for machine failure.
- 5 The spinning of rear wheels (burn-outs) is strictly forbidden on the track, with the exception of the Start Area. Breach of this rule will result in a penalty of disqualification.
- 6 All competitors finishing an event must submit the machine for final examination if required. The organisers may retain that machine for a reasonable period to allow for that examination.
- 7 Any competitor who in any ACU or MCRCB Permitted Event participates on a machine for which he is not eligible through age or licence restrictions will be penalised by a fine of £500.00 and a suspension for one year from the date of the hearing.

SECTION 5 SAFETY

5.1 MEDICAL SERVICES MINIMUM REQUIREMENTS FOR DRAG MEETING

	PERSONNEL			VEHICLES		
	Doctors MO	Paramedic(s) PM	First Aid personnel	Ambulance(s)	Fast Intervention Vehicle	Special Notes
Drag Race	1 MO or 1 Paramedic		2	1		

The following applies to all events run under this code.

- Medical Officer (MO) – Doctor** A medical practitioner (doctor) fully registered with the General Medical Council (GMC), and holding appropriate personal medical malpractice insurance cover (excludes NHS Crown Indemnity).
- Paramedic (PM)** A State Registered Paramedic with the HPC (Health Professions Council). Paramedics must have appropriate personal medical malpractice insurance cover.
- Ambulance** A vehicle registered as an ambulance with the DVLA (Driver and Vehicle Licencing Agency) or similar government licencing authority and complying with FIM minimum equipment regulations for a type C vehicle; that is:
 Medical: A stretcher (preferably standardised), oxygen supply, apparatus to immobilise limbs and vertebral column. First aid medicaments and materials.
 Technical: Radio communication. Visible and audible signals
 Staffing: An ambulance must be staffed by two First Aid Personnel (who can be the two minimum First Aid Personnel).
 An ambulance may act as a Medical Centre BUT if so it must be a vehicle in addition to the minimum ambulance requirement.
- First Aid Personnel** A person holding a current certificate of First Aid competency. (Where an event open to the public event organisers should ensure that all First Aid personnel are insured against malpractice for the event concerned).

Special Notes

The minimum medical requirements specific for this discipline also apply to associated Test Days.

- Medical Examination** At any time during a meeting the Clerk of the Course may require a competitor to undergo a medical examination to determine his fitness to ride. The decision of the medical officer is final without right of appeal.

5.2 TRACK SAFETY PRECAUTIONS

- The safety precautions of circuits will be as laid down for each permanent course licence or temporary course certificate following an inspection of the course.
- It should be generally realised that the organisers of speed events have a legal responsibility to the general public and therefore it is the duty of these organisers to ensure that all reasonable precautions are taken to protect the public.
- Whilst organising clubs are insured under the Promoters Third Party Policy in respect of their legal liability, it is a condition of the policy that the promoters of an event must comply strictly with the National Sporting Code and any additional requirements as may be specified by the Permanent Course Licence or Temporary Course Certificate.
 Clubs failing to do so stand in grave danger of any claims being repudiated to the club by the insurers under the terms of the policy covering legal liability.
- The safety precautions to be adopted are provided with the Permanent Course Licence or Temporary Course Certificate for the particular course but the following general requirements must be observed.
- The attention of organisers is drawn to the provision of the NSC which stipulates that no

alteration of the requirements contained in the Permanent Course Licence or Temporary Course Certificate shall be made without the prior approval, in writing, of the ACU.

- 6 It is recognised that circumstances may arise in which it is necessary to make certain alterations to the course on the day of the meeting but any such alterations must be approved by the Stewards of the Meeting and details given in their report to the authority granting the permit.

5.3 FIRE EXTINGUISHERS

Each working vehicle in the Paddock must have a 2 Kg (minimum) dry powder fire extinguisher available for immediate use. This extinguisher must show the date of the last annual inspection. Non-compliance with this regulation will incur a penalty imposed by the Clerk of the Course.

5.4 FIRE EXTINGUISHERS AT CIRCUITS

At all race and speed events, there must be a valid certificate, issued annually immediately prior to the start of each season's racing by the manufacturer or his agent, to the effect that all fire extinguishers are in effective working order. This certificate must be available for inspection by the Stewards.

All fire posts must be clearly marked. In addition to the fire equipment at each post there must be:

- 1 Fire extinguishers in the paddock and assembly area.
- 2 At least two fire extinguishers in the Technical Control Area.
- 3 Fire extinguishers in every medical room/centre.

5.5 WARNING AND PROHIBITION SIGNS AT CIRCUITS

For full details regarding Warning Notices and Prohibition Notices please refer to the Safety Precautions section of this Handbook.

1 WARNING NOTICES

The following requirements regarding the display of Warning notices are applicable to all Road Racing events.

- 1 WARNING NOTICE (A) (29 × 20 inches.) Warning notices as detailed below must be displayed on each side of every entrance to the course, including the entrance to car parks and paddock.
These notices must be prominently displayed where they can be easily read by the public before any admission charge is paid, or where no admission charge is made before entry is gained into the circuit.
Where it is not possible to define the limits of the site and to control admission of the public (e.g. War Department and health land) warning notices must be profusely displayed around the course and also in the car parks.
- 2 WARNING NOTICE (B) (20 × 15 inches.) Those parts of the course to which the public may be admitted and where it is neither practical nor necessary to erect a barrier, e.g. those parts of the course which are straight and are only used by the public to reach other parts of the course, may be indicated by the erection of the special type of Warning Notice (B). These notices should be displayed at least 30ft. from the course. It is recommended that the limit of these areas should also be defined by a boundary tape.

2 PROHIBITION NOTICES

The following requirements regarding the display of Prohibition notices are applicable to all Road Racing events.

PROHIBITED AREA NOTICE (C) (29 × 20 inches.) Areas where the public are not permitted must be clearly defined by the display of an adequate number of "Prohibited Area" notices (B). Notices should be displayed within the prohibited area, facing the public.

5.6 DECLARATION – ADMISSION TICKETS, ARMBANDS AND PASSES

Subject to the provision of the Sunday Observance Act 1780, no person may be allowed to any part of the circuit without a suitable pass or ticket. All tickets and passes must bear the following wording shown below in full and if the wording appears on the reverse side then the words “For Conditions of Admission See Over” must be clearly printed on the face thereof. Where a ticket is cancelled by being torn in half, the full wording and, where applicable, the “For conditions of admission see over” must appear on each half. Where a charge is made for admission into special or “reserved” enclosures a ticket bearing the approved declaration must be issued in exchange for payment to enter these enclosures.

Declaration.

WARNING. MOTOR SPORT CAN BE DANGEROUS. Despite the organisers taking all reasonable precautions, unavoidable accidents can happen. Please comply with all instructions of marshals and notices and remain in permitted areas only. THEY ARE CONCERNED WITH YOUR SAFETY. All vehicle passes must bear the same wording and comply with the above requirements.

5.7 DECLARATION ON THE OFFICIAL PROGRAMME

The declaration as outlined above should be printed in full on the outside front cover of all Official Programmes. Where this is not possible it must be printed in full in the programme and the words “For conditions of admission see inside” printed on the outside cover.

5.8 SIGNING ON

All riders, passengers, officials and assistants, press and team crew must sign a declaration on the relevant signing on form (available from the ACU).

- 1 Age Limits for Officials
All event Executive and Administrative Officials shall be 18 years of age or over.
- 2 Age Limits for Marshals
 1. All Assistant Officials whose function is to be carried out at the immediate track-side must be at least 16 years of age.
 2. All Assistant Officials who are under 18 years of age must have obtained parental agreement to carry out the duty and the signing-on signature must be countersigned by the person responsible for the official at the event.
 3. When using the services of officials under 18 years of age for any duties at any event special attention must be given to any risks which may be associated with the duty, and to the previous experience of the official.

SECTION 6 GENERAL SPECIFICATIONS OF MOTORCYCLES

Motorcycles must comply with these general conditions unless they are amended in the specific class conditions.

6.1 BRAKES

- 1 All machines must be equipped with at least one efficient brake per wheel, operating independently, and acting directly on the wheel.
- 2 Hydraulic brakes may be fitted to any wheel, provided that the cylinders and lines are adequately protected from accidental damage. The hydraulic fluid reservoir must be mounted in such a position as to allow easy inspection of the fluid level.
- 3 All disc brakes must be of the double calliper pattern, e.g. having brake pads on each side of the disc. Must be able to operate from normal riding position i.e. both hands on handlebars and feet on footrests.
- 4 Minimum disc sizes:

Front:	250mm × 4.5mm single
	200mm × 4.5mm dual
	220mm × 4.5mm dual (for Nitromethane powered machines)

- Rear: 250mm × 4.5mm if single front disc fitted
 200mm × 4.5mm if dual front discs fitted
 250mm × 4.5mm (for Nitromethane powered machines)

6.2 TYRES

- 1 The minimum cross section of tyre allowed for any class is 50mm.
- 2 Dust caps must be fitted to all tyre valves.
- 3 For street tyre classes readily available street tyres only, 1mm minimum tread depth, slicks, hand cut slicks, and tyres marked “Not for Highway Use” not allowed.
- 4 Any tyre which, in the opinion of the Technical Official, bears any signs of having sidewall markings or lettering tampered with will be grounds for immediate disqualification of the rider from the event.

6.3 APPEARANCE

All machines must be of presentable appearance at all times. Entries may be refused where appearance is not considered to be up to the general standards of competition.

6.4 CAPACITY RESTRICTIONS

Where the individual class regulations allow, superchargers and turbochargers are allowed up to 2400cc, normally aspirated engines are allowed up to 3300cc.

6.5 DRAIN PLUGS

All drain plugs securing any liquid must be so fitted as to prevent any leakage, and positively locked against loosening, with wire.

6.6 FUEL LINES

Must be securely fitted at all joints and a quick action fuel tap must be within easy reach of the rider. Where nitromethane fuel is used in any percentage, a lanyard is mandatory to operate a spring loaded fuel shut off valve which must completely cut off the fuel supply to the engine.

6.7 FUEL TANKS

All fuel tanks must be securely fitted to the machine and incorporate securely fitting filler caps. Tanks must be robustly constructed.

6.8 FUEL PUMPS

Any make of fuel pump may be fitted. If electrically operated, the pump must be connected to the ignition switch so that they are switched off with the ignition.

6.9 FUELS

For petrol-burning classes, the dielectric constant as per DC meter may be no greater than 4, and Propylene Oxide is prohibited. Octane boosters are permitted. For non petrol-burning classes, hydrazine and propylene oxide are not permitted, otherwise there is no limitation to the types of fuel permitted. Competitors should check the class regulations for any specific restrictions.

6.10 NITROUS OXIDE INJECTION SYSTEMS

- 1 Only gas storage cylinder certified for use at the working pressure of the system may be used (this also applies to any machine with a pressurised gas fuel system).
- 2 All receiving cylinders should have rupture discs or safety valve to prevent over pressurisation.
- 3 The bottle to solenoid supply pipe should be of a high quality braided steel hose attached to the frame at regular intervals.

- 4 For any machine running Nitrous Oxide, the system must remain inoperable until the throttle is fully open.
- 5 Any other switches must be wired through the throttle switch. The engine must be able to be cranked over without the ignition system operable to enable purging of any gas from the combustion chambers.
- 6 A separately operated ignition arming switch must be fitted.

6.11 OVERFLOWS

All breathers must terminate in a catch can/tank of 550ml minimum capacity or vent into the exhaust/induction system. Cans should be of a two chamber design or with intake isolated from outlet to ensure oil cannot exit directly from the inlet.

6.12 HANDLEBARS AND CONTROL LEVERS

- 1 Any type or make of handlebar may be fitted at the owner's discretion.
- 2 It is compulsory to fit lock stops to ensure a minimum clearance of 25mm between the handlebars and any other part of the machine, to prevent trapping of the rider's hands.
- 3 The minimum angle of rotation either side of centre line or mid point is 20 degrees.
- 4 Handlebar grips, if fitted, must be securely attached.
- 5 All control levers (clutch, brake etc.) must be in principle 'ball ended', diameter of ball end to be 12.5mm minimum. The ball end may be flattened to a minimum thickness of 12.5mm, but all edges must be rounded. Ball ends must be permanently fixed and form an integral part of the lever.

6.13 THROTTLE

- 1 All motorcycles must have the throttle controlled by a hand operated twistgrip, incorporating a positive acting spring attached directly to the carburettor throttle arm.
- 2 The throttle must close automatically upon releasing the twistgrip.
- 3 For any motorcycle running nitromethane fuel, it is mandatory to have a positive return cable as well as a return spring, i.e. a push-pull twistgrip.
- 4 Any machine running Nitrous Oxide, the system must remain inoperable until the throttle is fully open.
- 5 Any other switches must be wired through the throttle switch.
- 6 For nitro fuelled bikes with slider clutches a throttle locking device that will positively lock the butterfly to barrel valve linkage is mandatory.
 1. It is recommended that this device is located at the butterfly end of the linkage, however a drilled throttle twist grip with locking pin is acceptable.
 2. This device is to be operated when the machine is being pushed back with the engine running.
 3. The locking device must be suitably flagged to clearly indicate when it is in use.

6.14 STREAMLINING

- 1 There must be clearance of at least 20mm between the streamlining and the extremities of the handlebars or steering device, including any attachment thereto, whatever the position of the handlebars.
- 2 It must not be possible for the front wheel to make contact with the streamlining whatever the position of the handlebars.
- 3 The streamlining must be constructed of metal or other suitable material, and fitted to allow complete liberty of movement of the rider, both when riding and when getting on and off the machine, without the streamlining or any part of it having to be displaced.
- 4 The screen, if fitted, must be constructed of a shatterproof material.

6.15 ENGINE

Car engines prohibited. Aftermarket cases must have same number of cylinder studs as OEM motorcycle manufacture and located within 2mm of stock position, twin or v8 engines excepted.

6.16 ENGINE RESTRAINTS

V-Twin motors running injected nitromethane must utilise cylinder head restraint. Restraints meeting SFI 46.1 are highly recommended.

6.17 IGNITION

- 1 Any type or make of ignition system may be fitted.
- 2 A positive acting cut out switch must be fitted, and attached to the top fork yoke or handlebars. Ignition KILL buttons are not acceptable.
- 3 For 8.50 9.50,, Super Street, Pro Stock, Competition Bike, Funny Bike, and Top Fuel (where applicable), all machines must have a positive KILL switch attached to the rider by lanyard which also disarms any nitrous oxide systems.
- 4 A lanyard assembly must be of sufficient strength for purpose. Any lanyard assembly that, in the opinion of the technical team, is not fit for purpose is grounds for disqualification.

6.18 COMPUTERS

Can be used for information gathering only. Throttle operation, shifting, clutch activation, control of fuel injection metering etc., are to be solely under the control of the rider or preset prior to any run.

6.19 GEAR SHIFT SYSTEMS

- 1 Where individual class rules allow, timed gear shift allowed as long as preset prior to run. Automatic gear shifting prohibited unless OEM of engine used. RPM gear shifting strictly prohibited.
- 2 Where the gear shift is air and/or electrically assisted, all wiring and switches for this system must be separate from the main wiring harness, and must be readily identifiable, traceable and accessible for inspection by the Technical Official.
- 3 Except where clearly part of an ignition kill device, any part of the wiring in the gear shift system which, in the opinion of the Technical Officer, passes through, or is connected to a closed control box or unit of any type, will be grounds for disqualification.
- 4 Speed sensing is only permitted from the driven wheel
- 5 Suspension travel and ride height sensing is not permitted

See also NSC Appendix D paragraph 2 (Any form of traction control is not permitted)

6.20 FOOTRESTS

Unless original equipment is used the footrests should be of minimum 19mm diameter and 75mm long and ball ended.

6.21 BATTERIES

May be located at the owner's discretion, providing that the mounting is of sound construction.

6.22 NUMBERS

Competitors should display their class and vehicle numbers to the rear and each side of the motorcycle, in numbers and letters at least 75mm high.

6.23 PRIMARY TRANSMISSION

- 1 If the clutch and/or primary transmission is exposed it must be fitted with a guard as a safety measure to protect the rider even as a result of breakage.

- 2 The guard must be conceived in such a manner as to minimise the risk of a rider coming into accidental contact with these transmission parts and designed to protect the rider from injury.
- 3 Outboard mounted clutches must have a cover of at least 3mm aluminium or 1 mm steel.
- 4 Any suitable make or type of drive chain/belt may be installed.

6.24 GROUND CLEARANCE

Where no particular class rules apply. Immediately after a run machines must have a minimum ground clearance of 50mm with the rider sitting on the machine in the normal riding position with their feet off the ground. Failure to comply will result in disqualification of the run.

6.25 DRIVE CHAINS AND GUARDS

Any suitable make or type of chain may be used, but must be adequately guarded. Stock chain guards, or guards manufactured from 3mm Dural (or equivalent strength alternative) must be fitted to prevent the chain contacting the rider as a result of breakage.

6.26 SUPERCHARGERS/TURBOCHARGERS

Considered the same device.

SECTION 7 PROTECTIVE CLOTHING

7.1 PROTECTIVE CLOTHING

- 1 Bulky hard objects such as tools etc. are NOT to be carried in pockets or on the person.
- 2 During practice and racing, riders and passengers must wear the following clothing and footwear:
- 3 Competitors must wear a complete leather suit of at least 1.2mm in thickness (on all parts of the suit), two piece suits that zip together at the waist are acceptable. Each part of the zip should be securely attached to the jacket or the trousers respectively and the suit must zip together over at least 75% of the waist band.
- 4 Non-leather material may be used if it meets with the requirements laid down by ACU Road Racing Standing Regulations.
- 5 Competitors footwear must be of leather (i.e. outer hide) or an approved substitute material and of a minimum height of 200mm to provide, with the suit, complete protection i.e. no exposed areas.
- 6 Competitors must wear leather (or an approved substitute material) protective gloves.

7.2 BODY JEWELLERY

It is recommended that any body piercing studs, ring etc. are removed.

7.3 HELMETS

Helmets bearing the current ACU gold stamp and in sound condition and properly fitted must be worn by all riders and passengers while practicing and racing. Overseas riders may use helmets as approved by their own FMN.

7.4 IDENTIFICATION DISCS

While practising and racing, riders and passengers are required to wear an identification disc around the neck, attached by a material approved by the technical officer. Thin chains should be avoided. The disc must be permanently marked with the wearer's full name and date of birth.

Identification discs shall be of a durable material, circular in shape, between 20mm and 25mm in diameter and having edges with no sharp or ragged projections.

SECTION 8 9.50 BIKE

A petrol-burning street tyred class with a 9.50 index.

8.1 CARBURETTOR

Any type of carburettor or fuel injection may be used.

8.2 CLUTCH

Any type, make or pattern of clutch assembly may be installed. All clutches must be fully enclosed.

8.3 ENGINE

May be of any type with any modifications. Only one engine allowed.

8.4 EXHAUST

Any type of exhaust allowed. No flexible pipe is allowed. Open exhaust permitted.

8.5 FRAME

Steering head geometry, trail and wheelbase may be altered to improve the stability of the machine, provided that all modifications are undertaken to a safe and professional standard. Maximum wheelbase permitted is 1730mm, measured with the rear wheel in the most extended position allowed by the swinging arm.

8.6 GEARBOX

Any make or type may be fitted.

8.7 LIGHTS AND MIRRORS

- 1 Lights need not be operational, but must be of stock appearance, lenses must be taped over.
- 2 Mirrors should be removed or taped over.

8.8 MUDGUARDS

Must be fitted to comply with the Road Traffic Act.

8.9 SEAT

Any type allowed, must be securely fitted to machine. Any padding used must securely attached to the seat.

8.10 STANDS

Must be wired up or removed.

8.11 SUPERCHARGERS AND TURBOCHARGERS

Allowed.

8.12 NITROUS OXIDE INJECTION

Allowed.

8.13 SUSPENSION

Any type allowed, but if fitted must be operational. Rear struts allowed.

8.14 TYRES

See General Technical Regulations

8.15 WHEELS

Any type or size permitted, as long as they comply with the Road Traffic Act. It is highly recommended that rear rim width should not exceed tyre width.

8.16 WHEELIE BARS

Not permitted.

SECTION 9 SUPER STREET BIKE

A petrol-burning street tyred class.

9.1 CARBURETTOR

Any type of carburettor or fuel injection may be used.

9.2 CLUTCH

Any type, make or pattern of clutch assembly may be installed. All clutches must be fully enclosed.

9.3 ENGINE

May be of any type with any modifications. Only one engine allowed.

9.4 EXHAUST

Any type of exhaust allowed. No flexible pipe is allowed. Open exhaust permitted.

9.5 FRAME

Steering head geometry, trail and wheelbase may be altered to improve the stability of the machine, provided that all modifications are undertaken to a safe and professional standard. Maximum wheelbase permitted is 1730mm, measured with the rear wheel in the most extended position allowed by the swinging arm.

9.6 GEARBOX

Any make or type may be fitted.

9.7 LIGHTS AND MIRRORS

- 1 Lights need not be operational, but must be of stock appearance, lenses must be taped over.
- 2 Mirrors should be removed or taped over.

9.8 MUDGUARDS

Must be fitted to comply with the Road Traffic Act.

9.9 SEAT

Any type allowed, must be securely fitted to machine. Any padding used must be securely attached to the seat.

9.10 STANDS

Must be wired up or removed.

9.11 SUPERCHARGERS AND TURBOCHARGERS

Allowed.

9.12 NITROUS OXIDE INJECTION

Allowed.

9.13 SUSPENSION

Any type allowed, but if fitted must be operational. Rear struts allowed.

9.14 TYRES

See General Technical Regulations

9.15 WHEELS

Any type or size permitted, as long as they comply with the Road Traffic Act. It is highly recommended that rear rim width should not exceed tyre width.

9.16 WHEELIE BARS

Not permitted.

SECTION 10 8.50 BIKE

A class for machines complying with the general and safety regulations.

Standing Regulations as per Competition Bike.

10.1 CLUTCH AND PRIMARY TRANSMISSION

Any type, make or pattern of clutch assembly and/or drive chain/belt may be installed.

10.2 ENGINE

Aftermarket cases must have the same number of cylinder studs as OEM motorcycle manufacture and located within 2mm of stock position, twin or v8 engines excepted.

10.3 EXHAUST

Any make or type of exhaust system allowed. No flexible pipe allowed.

10.4 FRAME

- 1 Frame may be original factory equipment, altered or modified at the owner's discretion, or of tubular type frame construction. All butt welds must have visible reinforcement, and no grinding or filling of welds is permitted.
- 2 It is not permitted to use the engine as a stressed member of the frame.

10.5 MUDGUARDS

- 1 Are not compulsory, but if fitted must be constructed of material with no sharp edges, and must be securely fitted to the machine.
- 2 If a stock front mudguard is removed, and an aftermarket item used, a fork brace of adequate dimensions must be fitted on machines weighing 205kg and over.

10.6 SEAT

Must be securely attached to frame, and be so constructed as to prevent slipping backwards from the proper seating position. Any padding used must be securely attached.

10.7 SUPERCHARGERS/TURBOCHARGERS

- 1 May be fitted at the owner's discretion.
- 2 It is recommended that a guard be fitted over the belt drive on superchargers mounted in front of the engine.
- 3 Where a supercharger is mounted behind the engine, such a guard is mandatory.
- 4 Where a supercharger is chain driven, guards of 3mm thick dural or equivalent strength, are the minimum requirement, irrespective of the position of the unit.
- 5 Explosion proof blankets fully surrounding the supercharger are highly recommended.

10.8 FRONT TYRE

Front tyres to be of road type, minimum specification 'V' rated or racing tyre specification.

10.9 WHEELS

- 1 All wire spoked wheels must utilise steel spokes of adequate strength and properly laced.
- 2 Wheels manufactured for cars may be used providing the fitting to the machine is of sound engineering.
- 3 All wheels must run true and all bearings must be in good condition.
- 4 Balance weights must be securely attached.
- 5 Maximum 10" tyre

10.10 WHEELBASE

At the owner's discretion.

SECTION 11 PRO STOCK BIKE (PS)

A petrol-burning class

11.1 DEFINITION

This class will be for stock appearance (factory produced motorcycle available to the general public, modified for drag racing) gasoline burning motorcycles.

11.2 FRAMES

- 1 Aftermarket frames permitted.
- 2 Steering head geometry, trail and wheel base may be changed if done in a safe and professional manner.
- 3 Steering head angle may not be less than stock rake or more than 40 degrees maximum rake.
- 4 Maximum wheel base is 1780mm, measured from the most extendable point on the swing arm.

11.3 FRONT SUSPENSION

Minimum usable travel: 10mm, inner tube diameter minimum 34mm. Replacement front ends are allowed. Steering damper mandatory and may not act as a fork stop.

11.4 CONTROLS

- 1 All handlebar controls must remain in the stock location. Replacement bars are permitted. Welded aluminium handlebars are prohibited. Welded steel or chrome-moly extensions are allowed, but cannot extend more than 100mm from stock location. Minimum handlebar width 560mm.
- 2 Brake pedals and foot pegs may be rear set, but must be at least 380mm in front of the rear axle.
- 3 Throttle and clutch levers must be manually operated by the rider. Electronic, pneumatic, hydraulic or other devices may in no way affect the operation of the throttle or clutch.

11.5 BODY

- 1 Must have originally been produced with a 750cc or larger engine. All main body parts must have stock appearance and shape, and cannot be mixed between models.
- 2 Replacement parts permitted, but must retain the shape of the stock parts they replaced.
- 3 Lower portion of fairing may be modified for exhaust pipe clearance or removed completely.
- 4 Windscreen may be trimmed.
- 5 Must have simulated headlight and tail light of same configuration and design from specific body used, holes for air passage and aerodynamic devices prohibited unless originally incorporated into same OEM of that year.

11.6 SEATS

Custom seats with a step to prevent the rider from sliding backwards permitted. Seat, tail section and rear fender may be incorporated in one unit. Minimum seat height 500mm from lowest point of seat to ground.

11.7 WHEELS

Replacement wheels are permitted.
 Front: 16" minimum, 19" maximum, or as stock.
 Rear: 15" minimum.

11.8 TYRES

Front tyre minimum width 2.75". Maximum rear tyre (rubber on ground) 10".

11.9 WHEELIEBAR

Maximum length of 3300mm from centre of front axle to centre of wheeliebar axle, measured in a straight line from axle to axle. Wheels must be nonmetallic.

11.10 ENGINE

- 1 Engine manufacturer will determine make of bike.
- 2 Must be of a type specifically designed and manufactured for a production motorcycle.
- 3 External modifications to engine cases are not allowed except for repair purposes.
- 4 Aftermarket cases, EFI and side by side rod configuration permitted on V twin configuration.

11.11 CYLINDER HEAD

Cylinder head casting must be manufactured by the same manufacturer as the main engine cases. FIM Technical Steward accepted aftermarket cylinder heads permitted.

11.12 FUEL INJECTION

Is permitted. Any type or size of fuel injection and throttle bodies allowed, but must be of the open loop type i.e. fuel metering must not be controlled by computer data gathering during the run.

11.13 IGNITION

Any ignition is allowed.

11.14 FUEL

Pump or racing gasoline generally available allowed.

11.15 WEIGHT BREAKS

Minimum weights of bike and rider at conclusion of run:

3 or 4 Cylinder	Maximum 1510cc	260kg
3 or 4 Cylinder	Maximum 1600cc	270kg
3 or 4 Cylinder	Maximum 1655cc	275kg
3 or 4 cylinder	Maximum 1755cc	280kg
3 or 4 Cylinder	Maximum 1800cc	280kg*
2 Cylinder	Maximum 2000cc	220kg
2 Cylinder OHC or DOHC	Maximum 2700cc	285kg
2 Cylinder Pushrod > 45 degree	Maximum 2700cc	290kg
2 Cylinder Pushrod 45 degree	Maximum 3278cc	265kg

* Plain Bearing Crank only

The ACU Drag Racing Sub Committee reserve the right to make changes to weight breaks or

combinations during the season. If this circumstance should arise then the changes will be published on the ACU website.

11.16 TRANSMISSION

- 1 Any transmission with a maximum of six forward gears, minimum three forward gears, may be used.
- 2 Transmission must be shifted from gear to gear manually or by air shifter.
- 3 RPM, computer controlled or timed shifts prohibited.
- 4 Transmission must be contained within the stock case, except two cylinder or two stroke engines.

11.17 ENGINE/WEIGHT CONTROL

- 1 In order to check the capacity of the machines of Pro-Stock Bike Finalists, both must remove the cylinder heads in the presence of the technical inspector.
- 2 In order to make sealing of Pro-Stock bikes possible, a 1mm hole must be made in the cylinder head and cylinder casting.
- 3 Riders must present themselves and their machine immediately before or after each run in both qualifying and racing, at the location specified by the organisers.
- 4 Failure to comply with any control procedure will render a run null and void, and could result in elimination from the competition.

SECTION 12 COMPETITION BIKE (CB)

12.1 CLUTCH AND PRIMARY TRANSMISSION

Any type, make or pattern of clutch assembly and/or drive chain/belt may be installed.

12.2 ENGINE

Aftermarket cases must have the same number of cylinder studs as OEM motorcycle manufacture and located within 2mm of stock position, twin or v8 engines excepted.

12.3 EXHAUST

Any make or type of exhaust system allowed. No flexible pipe allowed.

12.4 FRAME

- 1 Frame may be original factory equipment, altered or modified at the owner's discretion, or of tubular type frame construction. All butt welds must have visible reinforcement, and no grinding or filling of welds is permitted.
- 2 It is not permitted to use the engine as a stressed member of the frame.

12.5 MUDGUARDS

- 1 Are not compulsory, but if fitted must be constructed of material with no sharp edges, and must be securely fitted to the machine.
- 2 If a stock front mudguard is removed, and an aftermarket item used, a fork brace of adequate dimensions must be fitted on machines weighing 205kg and over.

12.6 SEAT

Must be securely attached to frame, and be so constructed as to prevent slipping backwards from the proper seating position. Any padding used must be securely attached.

12.7 SUPERCHARGERS/TURBOCHARGERS

- 1 May be fitted at the owner's discretion.

- 2 It is recommended that a guard be fitted over the belt drive on superchargers mounted in front of the engine.
- 3 Where a supercharger is mounted behind the engine, such a guard is mandatory.
- 4 Where a supercharger is chain driven, guards of 3mm thick dural or equivalent strength, are the minimum requirement, irrespective of the position of the unit.
- 5 Explosion proof blankets fully surrounding the supercharger are highly recommended.

12.8 FRONT TYRE

Front tyres to be minimum specification 'V' rated or racing tyre specification.

12.9 WHEELS

- 1 All wire spoked wheels must utilise steel spokes of adequate strength and properly laced.
- 2 Wheels manufactured for cars may be used providing the fitting to the machine is of sound engineering.
- 3 All wheels must run true and all bearings must be in good condition.
- 4 Balance weights must be securely attached.
- 5 Maximum 10" tyre

12.10 WHEELBASE

At the owner's discretion.

SECTION 13 TOP FUEL (TF)

13.1 DESIGNATION

- 1 TF followed by rider number. Reserved for motorcycles running a minimum of 50% Nitromethane fuel.
- 2 A maximum of two engines allowed with unlimited modifications.
- 3 No appearance restrictions.
- 4 Turbo chargers and super chargers considered the same.

13.2 ENGINE

- 1 Displacement limited to 1700cc for supercharged 4 cylinder engines, and 2000cc for Twin cylinder supercharged engines.
- 2 For V8 configurations, 1350cc on each bank with a maximum of 2700cc.
- 3 Twin cylinder engines limited to maximum 3400cc
- 4 Lower engine ballistic/restraint device recommended.
- 5 Aftermarket cases must have same number of cylinder studs as OEM motorcycle manufacture and located within 2mm of stock position, twin or v8 engines excepted.

13.3 ENGINE/WEIGHT CONTROL

Super charged 4 cylinder engines: 9lbs/inch³ (0.25kg/cc). V8 engines: no weight restriction.

- 1 In order to check the capacity of the machines of Finalists, both must be prepared to remove the cylinder heads in the presence of the technical inspector if required.
- 2 Riders must present themselves and their machine immediately before or after each run in both qualifying and racing, at the location specified by the organisers.
- 3 Failure to comply with any control procedure will render a run null and void, and could result in elimination from the competition.

13.4 BODY

All rear fenders must extend past the rear axle.

13.5 FRAME

Minimum wheel base 84 inches (2134mm).

13.6 FRONT SUSPENSION

- 1 Hydraulic tube type only. Minimum tube diameter 34mm, minimum travel 10mm.
- 2 Positive steering stops for both directions of travel mandatory.
- 3 Two steering dampers recommended but may not be used as steering stops.

13.7 EXHAUST

Any make or type allowed.

13.8 SUPERCHARGERS

- 1 Belt drive guards highly recommended for front mounts, mandatory when rear mounted.
- 2 If chain driven 3mm thick dural or equivalent strength mandatory irrespective of mounting position.
- 3 Explosion proof ballistic or restraint device highly recommended.

13.9 FUEL SHUT OFF

- 1 Pre-loaded fuel shut offs mandatory.
- 2 A lanyard is mandatory to operate a spring loaded fuel shut off valve which must completely cut off the fuel supply to the engine.
- 3 A separate device to completely cut off fuel supply by handlebar control is mandatory.

13.10 THROTTLE LINKAGE

- 1 For nitro fuelled bikes with slider clutches a throttle locking device that will positively lock the butterfly to the barrel valve linkage is mandatory.
- 2 It is recommended that this device is located at the butterfly end of the linkage, however, a drilled throttle twist grip with locking pin is acceptable.

13.11 WHEELS AND TYRES

- 1 Front Tyre must be a minimum V rating road tyre or Race Tyre Specification.
- 2 Rear tyre width must not exceed rim width by 2 inches. Rear wheel bead locks highly recommended.

SECTION 14 FUNNY BIKE (FB)**14.1 DESIGNATION**

- 1 FB followed by rider number.
- 2 Reserved for single engine alcohol, petrol and nitro methane burning Twins.

14.2 CLASS REQUIREMENTS

Superchargers and turbo chargers will be considered the same.

- 1 All machines except Nitro burning Twins must run a fuel tank, either real or dummy, in stock location, with the engine manufacturers name clearly visible on both sides of the tank.
- 2 All bikes must have front and rear mudguards. All machines except nitro methane burning Twins must have head light or nose piece.
- 3 Engine: Maximum 2500cc with gears or 3278cc without gearbox. Maximum 2500cc with turbo or supercharger (petrol or methanol only)
- 4 Stock cases permitted; aftermarket cases are highly recommended. Aftermarket cases must have same number of cylinder studs as OEM motorcycle manufacture and located within 2mm of stock position, twin or v8 engines excepted.

- 5 Minimum rear tyre size width is 10 inches. Maximum rear tyre size width is 14 inches

14.3 FUEL SHUT OFF

- 1 Pre-loaded fuel shut off is mandatory for Nitro burning bikes.
- 2 A lanyard is mandatory to operate a spring loaded fuel shut off valve which must completely cut off the fuel supply to the engine.
- 3 A separate device to completely cut off fuel supply by handlebar control is mandatory.

SECTION 15 JUNIOR DRAG BIKE (JRB)

Reserved for non-street legal single or twin cylinder four stroke motorcycles built to give the appearance of a top fuel of funny bike.

I For minimum age and machine restrictions please refer to Section 2.4

Requirement and Specifications:

15.1 ENGINE

Engine: Any make or model. Any configuration or engine is permitted. Small engine modifications are permitted such as: exhaust, air filter, and carburettor. Air Shifters: are permitted.

15.2 SUSPENSION AND BRAKES

- 1 Brakes: Front and rear mandatory (disc or drum).
- 2 Suspension: Front suspension minimum size 27mm and minimum travel of 2 inches. Rear suspension not permitted.

15.3 FRAME

- 1 Must be purpose built and of tubular construction utilizing a rigid rear end.
- 2 Rider must be able to reach all controls safely and able to place both feet flat on the ground.
- 3 Wheelie Bars: Mandatory.

15.4 WHEELS AND TYRES

Tyres: Slicks are permitted, any make or size.

Wheels: Any make or size permitted.

15.5 BODY

- 1 Must have rear mudguard or body work extending past the rear axle.
- 2 The Seat must be securely attached so as to prevent the rider from sliding backwards.

15.6 STARTING

Electric, kick or off-board starters permitted. No push or roller starts.

For any other construction rules refer to the general rules.

SECTION 16 SUPER TWINS

16.1 CATEGORIES

SUPER TWINS – A category for motorcycles with one twin cylinder engine. For unlimited capacity street-legal motorcycles complying with the Road Traffic Act, with modifications outlined in the following regulations.

These Regulations are in addition to the Drag Regulations for General Specifications for Motorcycles.

- Super Twin top Fuel STF
- Super Twin ET Bike SET
- Super Twin Top fuel STG

16.2 SUPER TWIN TOP FUEL

Designation – STF Preceded by bike number.

A class designed for motorcycles with unrestricted modifications running heads up from a pro start.

- 1 **Engine** Engine may be of any internal combustion type, provided that the drive is transmitted through one road wheel. Engine may be mounted in any position and any modifications are permitted.
- 2 **Superchargers and Turbochargers** May be fitted at the owners discretion.
- 3 **Exhaust** Any make or type of exhaust system allowed. No flexible pipe allowed.
- 4 **Fuel Shut off**
 - 1 Pre-loaded fuel shut offs mandatory.
 - 2 A lanyard is mandatory to operate a spring loaded fuel shut off valve which must completely cut off the fuel supply to the engine.
 - 3 A separate device to completely cut off fuel supply by handlebar control is mandatory.
- 5 **Engine Restraints** V-Twin motors running injected nitromethane must utilise cylinder head restraint. Restraints meeting SFI 46.1 are highly recommended.
- 6 **Clutch and Primary Transmission** Any type, make or pattern of clutch assembly and/or drive chain/belt may be install.
- 7 **Suspension** The minimum front fork stanchion diameter is as follows:

Bike weight	Diameter
300lbs (136kg)	28mm
350lbs (158kg)	30mm
450lbs (204kg)	32mm
Over 450lbs (204kg)	34mm
- 8 **Frame** Frame may be original factory equipment, altered or modified at the owners discretion, or of tubular type frame construction. All butt welds must have visible reinforcement, and no grinding or filling of welds is permitted. Positive steering stops for both directions of travel mandatory. Steering dampers may not be used as steering stops.
- 9 **Alignment** Sufficient trail must be incorporated into the alignment to ensure proper handling, recommended 6 inches.
- 10 **Ground Clearance** Minimum of 75mm is recommended.
- 11 **Wheelbase** At the owner's discretion.
- 12 **Tyres and Wheels**
 1. Front tyre
To be of racing type, or if of road type, minimum spec 'v' rated or racing type spec.
 2. Wheels
All wire spoked wheels must utilise steel spokes of adequate strength and properly laced. Wheels manufactured for car may be used providing the fitting to the machine is of sound engineering. All wheels must run true and all bearings must be in good condition. Balanced weights must be securely attached.
- 13 **Seat** Must be securely attached to frame, and be so constructed as to prevent slipping backwards from the proper seating position. Any padding used must be securely attached.
- 14 **Mudguards** Are not compulsory, but if fitted must be constructed of material with no sharp edges and must be securely fitted to the machine. If a stock front mudguard is removed and an aftermarket item used, a fork brace of adequate dimensions must be fitted on machines weighing 450lbs (204kg) and over.

16.3 SUPER TWIN ET BIKE

Designation – SET Preceded by bike number

A class designed for petrol burning street tyred bikes running to a fixed index of their choice.

- 1 **Engine** May be of any type with any modifications.
- 2 **Carburettor** Any type of carburettor or fuel injection may be used.

- 3 **Superchargers and Turbochargers** May be fitted at the owners discretion.
- 4 **Nitrous Oxide Injection** Allowed.
- 5 **Exhaust** Any make or type of exhaust system allowed. No flexible pipe allowed.
- 6 **Clutch** Any type, make or pattern of clutch assembly may be installed. All clutches must be fully enclosed.
- 7 **Gearbox** Any make or type may be fitted.
- 8 **Suspension** Any type allowed, but if fitted must be operational. Rear struts allowed.
- 9 **Frame** Steering head geometry, trail and wheelbase may be altered to improve the stability of the machine, provided that all modifications are undertaken to a safe and professional standard. Positive steering stops for both directions of travel mandatory. Steering dampers may not be used as steering stops.
- 10 **Stands** Must be wired up or removed.
- 11 **Wheelie Bars** Not allowed
- 12 **Tyres and wheels**
 - 1. Tyres
Readily available street tyres only.
 - 2. Wheels
Any type and size allowed, as long as they comply with the road traffic act. It is highly recommended that rear rim width should not exceed tyre width. All wire spoked wheels must utilise steel spokes of adequate strength and properly laced.
- 13 **Seat** Must be securely attached to frame. Any padding used must be securely attached.
- 14 **Mudguards** Must be fitted to comply with the Road Traffic Act.
- 15 **Mirrors** Mirrors should be removed or taped over.
- 16 **Ignition Lanyard** If the motorcycle has any aftermarket race accessory fitted, then it needs a ignition lanyard.

16.4 SUPER TWIN TOP GAS

Designation – STG Preceded by bike number

A class designed for motorcycles with unrestricted modifications running heads up from a pro start A petrol burning class.

- 1 **Engine** Engine may be of any internal combustion type, provided that the drive is transmitted through one road wheel. Engine may be mounted in any position and any modifications are permitted.
- 2 **Superchargers and Turbochargers** May be fitted at the owners discretion.
- 3 **Exhaust** Any make or type of exhaust system allowed. No flexible pipe allowed.
- 4 **Clutch and Primary Transmission** Any type, make or pattern of clutch assembly and/or drive chain/belt may be installed.
- 5 **Suspension** The minimum front fork stanchion diameter is as follows:

Bike weight	Diameter
300lbs (136kg)	28mm
350lbs (158kg)	30mm
450lbs (204kg)	32mm
Over 450lbs (204kg)	34mm
- 6 **Frame** Frame may be original factory equipment, altered or modified at the owners discretion, or of tubular type frame construction. All butt welds must have visible reinforcement, and no grinding or filling of welds is permitted.
- 7 **Alignment** Sufficient trail must be incorporated into the alignment to ensure proper handling, recommended 6 inches.
- 8 **Ground Clearance** Minimum of 75mm is recommended.
- 9 **Wheelbase** At the owner's discretion.
- 10 **Tyres and wheels**

1. Front Tyre

Front tyres to be of racing type, or if of road type, minimum spec 'v' rated or racing type spec.

2. Wheels

All wire spoked wheels must utilise steel spokes of adequate strength and properly laced.

Wheels manufactured for car may be used providing the fitting to the machine is of sound engineering. All wheels must run true and all bearings must be in good condition. Balanced weights must be securely attached.

11 **Seat** Must be securely attached to frame. Any padding used must be securely attached.

12 **Mudguards** Are not compulsory, but if fitted must be constructed of material with no sharp edges and must be securely fitted to the machine. If a stock front mudguard is removed and an aftermarket item used, a fork brace of adequate dimensions must be fitted on machines weighing 450lbs (204kg) and over.

SECTION 17 ACU/UK DRAG BIKE CHAMPIONSHIP

17.1 CLASSES

Riders who wish to enter the championship should register with the championship co-ordinator. The classes will be as follows:

- 1 SUPER STREET Modified street motorcycles running heads up.
- 2 PRO STOCK Ultimate street appearing class.
- 3 COMPETITION BIKE Motorcycles designed to run on the quarter mile with unrestricted modifications.
- 4 FUNNY BIKE As per ACU Regulations.
- 5 TOP FUEL BIKE The ultimate Drag racing motorcycle, designed to run on the quarter mile with unrestricted modifications.

Note: A minimum of two events per class to comprise the Championship.

17.2 ELIGIBILITY

- 1 Open only to holders of current Drag Race Licences issued by:
 - a) The Auto Cycle Union.
 - b) The Scottish Auto Cycle Union.
 - c) EU Federations
- 2 For all ACU Championships an ACU decal, supplied by the ACU, will be displayed on the front number plate.
- 3 The decal to be supplied by the organiser. Any Competitor failing to display such a decal shall forfeit the right to any prize money or Championship points. This will be treated as a matter of fact.

17.3 SPECIFICATIONS

Motorcycles must comply with the Standing Regulations and the class structure as outlined in this book.

17.4 CLASSIFICATION

- 1 At the conclusion of the Series all points scored will be added together and the rider with the highest number of points will be declared the winner.
- 2 Where a class is run at more than five rounds additional rounds may be non-scoring. Number of scoring rounds to be announced prior to the start of the championship.

17.5 POINTS

Points at each round will be allocated as follows:

- 1 Attendance points: Each competitor who has signed on and whose machine has passed technical verification – 100 points.
- 2 Qualifying Points: 10 points will be allocated per qualifying position from last qualifier

upwards, i.e. last qualifier 10 points, second from last 20 points and so on in increments of 10 points per position.

Eliminations: 100 points for each winning run.

Bonus points:

Event Low ET 25 points Championship Record ET 100 points

Event High TS 25 points Championship Record TS 100 points

In the event of a rain off points are scored up to the last complete round of qualifying or elimination.

- 3 If the race distance is reduced after commencement of an event, due to adverse weather or track conditions, then bonus points will only be awarded to those riders establishing the low ET or high mph over the distance for which the last complete round of qualifying or eliminations has been contested.

17.6 TIES

In the event of a tie between riders for first place in a Championship after the conclusion of all rounds, the winner will be determined in the following manner:

- a) The rider who has won the most races during the Championship. If there is still a tie, then:
- b) The rider who qualified highest at the final round of the Championship.

17.7 AWARDS

The overall winner per class will receive an ACU trophy (1 year retention) to be presented at the annual presentation ceremony. There will be an end of season ACU prize fund.

17.8 PUBLICITY

Round Promoters and Organising Clubs must give maximum publicity to the Championship before and after each round. The current up-to-date positions of the Championship and current Championship records must be given in the programme at each round.

17.9 ABANDONMENT

In the event of a round being interrupted or abandoned by bad weather, the following conditions will apply:

1 Qualifying

If less than 75% of the total number of competitors entered in a class have made qualifying runs, the Emergency QT's (Emergency Qualifying Times) will be used.

1. If more than 75% have made qualifying runs, then EQT's will only be used for the competitors who were unable to run. Everyone else will be paired by the QT's they were able to record.
2. A record of championship EQT's will be maintained and will be the competitors quickest time from the past 2 championship meetings.
3. In the case of one or more identical times arising in the same class, the next quickest time will be considered, with the lowest ET taking precedence in the pairing selection.
4. When no previous ET has been recorded, competitors concerned will assume the lowest positions in their class if there are vacant spots.
5. When qualifying positions are determined by EQT's their fields will be on an all run basis.

2 Racing

1. In the event of racing being terminated, before conclusion, points will be awarded up to the last complete round of competition.

- 3 Subject to the prior written approval of the promoter the following shall apply

1. In the event of the race being terminated before conclusion any class prize monies not awarded to riders at that point will be equally divided within the particular class to those riders still remaining in the competition.

2. In the event of a race being terminated before eliminations have commenced then first round loser monies for a particular class will be awarded to each competitor in that class who has signed on and whose machine has passed technical verification.

17.10 ESTABLISHING RECORDS

- 1 For all records the following criteria must be satisfied:
 1. The vehicle must comply with all class regulations, Technical Crew decisions will be final.
 2. Records can only be set during qualifying or eliminations, practice run performances will not count.
 3. In order to ensure the validity of all new records, a back up performance of within 1% of the mark is required at the same event. In the event that two runs exceed the existing records but are not within 1% of each other, the quicker time or faster speed will be acceptable as the back up for the slower time, which will stand as the new record.
 4. Only the driver/rider holding the record at the conclusion of the event will be credited with the record. A driver/rider setting and then losing a record at the same event will not receive credit for establishing a record, or receive points for doing so.

17.11 QUALIFYING

The following minimum number of qualifying sessions will be held:

2 day qualifying – 4 sessions (2 per day) 1 day qualifying – 3 sessions Track conditions permitting.

There will be compulsory alternate lane qualifying. For first qualifying run pairs should be run where possible, lane choice for first qualifier is at the discretion of the start crew and singles should be restricted to one only per session, track conditions permitting.

A valid qualifying run must be made under engine power and an E.T. and/or T.S. must be recorded. If the race distance is reduced before the conclusion of qualifying then the positions in the ladder will be established over the distance for the last complete round of qualifying.

17.12 CHOICE OF LANE

The rider with the quickest time from the preceding round will be allowed to inspect the start line, if required, immediately prior to the running of his/her class.

17.13 ELIMINATION LADDER AND FIELD SIZES

Professional ladders will be used. All classes will be operated on an all qualified basis up to a 8 bike maximum field. Above that number the fields will be set on the following basis:

9–12 Qualifiers 8 Bike field

13–24 Qualifiers 16 Bike field

24+ Qualifiers 32 Bike field

A minimum of 3 riders are required to comprise a class.

17.14 ALTERNATES

Once qualifying has concluded and a ladder has been established, pairings will not be changed. However, should a qualified bike and rider be unable to make the first round of eliminations (not reach the burnout water area) an alternative will be inserted in their place. The quickest non-qualifier will take the first available space, the second quickest non qualifier the next available space and so on.

17.15 STAGING

Both riders must be in pre-stage before either rider can stage. In any case riders must stage when instructed to do so by the Start line Marshal.

17.16 FIRST OR WORST PROCEDURE

If both riders commit a foul during a race the rider committing the worst foul would be disqualified.

If both riders commit the same foul then the first rider to commit the foul is disqualified. The following is the list of fouls in descending order (i.e. 1 is the worst).

- 1 Contact with the guard rail barriers, or any other track fixture (i.e. Christmas tree, timing equipment, cones etc.) is grounds for disqualification.
- 2 Crossing any part of the track centreline.
- 3 Red light.
- 4 Crossing any part of the lane boundary lines.
- 5 Pushing the machine over the finish line.

NB. On a solo bye run a competitor is considered the winner once he stages his machine under power and the start sequence is initiated.

17.17 MACHINE WEIGHING

It is the responsibility of the Clerk of the Course to weigh machines before or after each qualifying or elimination run where weighted brakes are in force.

17.18 SERIES CO-ORDINATOR

The Series will be co-ordinated by:

Mr. I. King, 11 Cockhall Close, Litlington, Royston, Herts SG8 0RB. Fax: 01763 852707

Mobile: 07785 341099 email: ian@kingracing.com

17.19 RACE RESULTS

A list of ALL competitors who have signed-on, qualifying lists and elimination ladders, highlighting fastest time and highest speed for the class (including qualifying) and any records established at the event must be submitted to the Road Race Department and the Series Co-ordinator within two days of the event, by fax, mail or email.

Hillclimb

SECTION 1 MEETINGS

1.1	Categories of Meetings	362
1.2	International	362
1.3	European Open	362
1.4	National	362
1.5	Open	362
1.6	Restricted	362
1.7	Eligibility of Foreign Riders in Open and Restricted Meetings	363
1.8	Practice Meetings and Test Days	363
1.9	Conditions for Hillclimb Meetings	363

SECTION 2 LICENCES – COMPETITORS

2.1	General	363
2.2	Grades	363
2.3	Lapsed Licences	364
2.4	Capacity and Licence Restrictions	364

SECTION 3 LICENCES AND REGISTRATIONS – OFFICIALS

3.1	Qualifications and Conditions	364
3.2	Hillclimb Officials who require a Licence	364
3.3	Grades for Clerk of the Course	364
3.4	Sprint Officials who do not require a Licence	365

SECTION 4 START AND FINISH PROCEDURE

4.1	Timing Equipment	366
4.2	Starts	366
4.3	Finish	366

SECTION 5 FLAGS AND LIGHTS

5.1	Flags and Lights used to provide Information	366
5.2	Flags which convey Information and Instructions	366
5.3	Flag Dimensions	367
5.4	FLAG COLOURS	367

SECTION 6 BEHAVIOUR AT A MEETING

SECTION 7 SAFETY

7.1	Medical Services – Minimum requirements for Hillclimb Meeting	367
7.2	Track Safety Precautions	368
7.3	Fire Extinguishers	368
7.4	Fire Extinguishers at Circuits	369
7.5	Warning and Prohibition Signs at Circuits	369
7.6	Declaration – Admission Tickets, Armbands and Passes	369
7.7	Declaration on the Official Programme	370
7.8	Signing On	370

SECTION 8 SPECIFICATION OF MOTORCYCLE

8.1	Drive	370
-----	-------	-----

8.2	Brakes	370
8.3	Tyres	370
8.4	Mudguards	370
8.5	Clutch and Brake Levers	370
8.6	Primary and Auxiliary Devices	370
8.7	Throttles	371
8.8	Handlebars	371
8.9	Superchargers	371
8.10	Fuel	371
8.11	Footrests	371
8.12	Oil Drain Plugs and Supply Pipes	371
8.13	Oil Catch Tanks	371
8.14	Number Plates	371
8.15	Control of Exhaust Sound Level	372
8.16	Construction	372
8.17	Additional specifications for three wheel machines	372

SECTION 9 RUN WHAT YOU BRUNG
 – CLASSES FOR ROAD LEGAL MACHINES

9.1	Definition	373
9.2	Eligibility	373
9.3	Machine Eligibility	373
9.4	Technical Control	373
9.5	Protective Clothing	373

SECTION 10 PROTECTIVE CLOTHING

10.1	Protective Clothing	373
10.2	Body Jewellery	374
10.3	Helmets	374

The National Sporting Code of the ACU and the Standing Regulations together with the Supplementary Regulations and any Final Instructions shall apply to all Hillclimb Races held under an ACU Permit.

SECTION 1 MEETINGS

1.1 CATEGORIES OF MEETINGS

- International Meetings
- European Open Meetings
- National Meetings
- Open Meetings
- Restricted Meetings

Permits for all Hillclimb competitions are issued by ACU Headquarters

1.2 INTERNATIONAL

1. The Permit shall be issued by the ACU Headquarters for a meeting inscribed on the International Calendar of the FIM and having an FIM International Meeting Number (IMN).
2. An International meeting is open to Entrants and Riders of more than one nation who must hold an International Licence or a National Licence issued by the ACU valid for the particular meeting concerned.
3. All riders not holding a Licence issued by the ACU or SACU must carry proof of Insurance and a written Start Permission document issued by their FMN.

Note: This includes all riders holding a licence issued by the MCUI.

1.3 EUROPEAN OPEN

1. The permit shall be issued by ACU Headquarters for a meeting inscribed on the Calendar of the Union of European Motorcycling (UEM) and having a European Meeting Number (EMN).
2. A European Open meeting is open to Entrants and Riders of more than one European nation who must hold the appropriate Competition Licence valid for the particular meeting concerned.
3. All riders not holding a Licence issued by the ACU or SACU must carry proof of Insurance and a written Start Permission document issued by their FMN.

Note: This includes all riders holding a licence issued by the MCUI.

1.4 NATIONAL

1. The Permit shall be issued by the ACU Headquarters.
2. A National meeting is open to Entrants and Riders who are the holders of a National or International Licence valid for the particular meeting concerned issued by any Federation.
3. All riders not holding a Licence issued by the ACU or SACU must carry proof of Insurance and a written Start Permission document issued by their FMN.

Note: This includes all riders holding a licence issued by the MCUI.

1.5 OPEN

1. An Open permit is issued by ACU Headquarters.
2. An Open meeting is open to Entrants and Riders who hold a valid ACU or SACU Licence for the meeting concerned.

1.6 RESTRICTED

1. A Restricted Permit is issued by ACU Headquarters.
2. A Restricted meeting is open to Entrants and Riders who hold a current ACU Licence valid for the meeting concerned.

3. The Supplementary Regulations issued for the event must specify all restrictions and requirements of eligibility.

1.7 ELIGIBILITY OF FOREIGN RIDERS IN OPEN AND RESTRICTED MEETINGS

1. The Supplementary Regulations issued for the event must specify the licence qualification and eligibility requirements of foreign riders.
2. All riders must have a current Licence and Start Permission from their own Federation valid for the event.

1.8 PRACTICE MEETINGS AND TEST DAYS

1. Permits for Practice Meetings and Test Days may be issued on application to the Permit Issuing Authority.
2. No such event may be held unless the appropriate Permit and Insurance has been issued.

1.9 CONDITIONS FOR HILLCLIMB MEETINGS

1. The ACU Road Race Committee must approve the Organiser.
2. The Venue must hold a current Track Licence or Track Certificate issued by the ACU Road Race Committee.
3. The ACU Secretariat must approve the Supplementary Regulations for the event and issue an ACU Permit prior to publication and circulation.
4. For all ACU Championships an ACU decal, supplied by the ACU Secretariat, must be displayed on the front number plate of each machine. Any rider not complying will be disqualified from the results of the race.
5. The Race Control must remain operative with all equipment in place until the end of the period provided for the lodging of a protest, and all officials and marshals must remain at the circuit and available to the Clerk of the Course and the Stewards during that period.
6. Where a class is cancelled because of insufficient entries the organisers may merge such entries with the next higher capacity class.

SECTION 2 LICENCES – COMPETITORS

2.1 GENERAL

1. To participate in events an annual Licence issued by the ACU is required. Residents in Scotland apply to the Scottish ACU.
2. A Licence can be upgraded at any time during the year.
3. The parent or legal guardian must accompany all competitors, or participants in parades, under 18 years of age to every meeting. This person must attend at signing-on and be present throughout the meeting.
4. A One – Event Licence is available to Competitors resident in the UK. For meetings up to National Level.

2.2 GRADES

1. **Clubman** Entry Level for first time applicants.
2. **National** After competing satisfactorily in 10 separate race days during the current year and preceding 3 years a Clubman Competitor may apply to be upgraded to a National licence.
3. **International** National licence holders who have competed at 5 race days may apply for an FIM Non-Championship International Licence. A medical examination is required.
4. **International Championship** National licence holders who have competed at 5 race days may apply for a UEM or FIM Championship licence as described in the appropriate Sporting Code. A medical examination is required.

2.3 LAPSED LICENCES

1. **Clubman** Clubman licence holders who have allowed their licence to lapse for more than 3 years will be re-issued with a Clubman licence.
2. **National** National licence holders who have allowed their licence to lapse for more than 3 years will be re-issued with a Clubman licence.

2.4 CAPACITY AND LICENCE RESTRICTIONS

Junior Competitors (aged 13–16 years) are restricted to machines of up to 125cc maximum capacity.

Important Notice

If a participant is under 18 years of age he/she must be accompanied to every meeting by their Parent or Legal Guardian. The Parent or Legal Guardian must attend signing on with the competitor and be available for the duration of the meeting.

SECTION 3 LICENCES AND REGISTRATIONS – OFFICIALS

3.1 QUALIFICATIONS AND CONDITIONS

Hillclimb Officials are divided into two categories:

Those that are **Licensed** and those that are **Registered**.

Fees are payable in respect of any Licences or Registration or for the appropriate form of identification issued.

Licences: Senior Hillclimb Officials are required to hold an ACU Licence of the appropriate Grade for the performance of their duties.

Registration: A Register is maintained of Officials not required to hold a Licence.

3.2 HILLCLIMB OFFICIALS WHO REQUIRE A LICENCE

All the following licences are valid for 3 years

	See Note Below	Attendance at Seminar/Training Session
Clerk of the Course	1	Every third year maximum
Chief Steward	2	Every third year maximum
Chief Technical Officer	3	Every third year maximum
Sound Inspector		Required for First Issue only
Measurer	4	Required for First Issue only
Timekeeper	5	Equipment and operators check

Clubs and Centres shall only nominate candidates whose aptitude and integrity for the position they can fully justify. Official ACU approval and the issue of a Licence is only after the candidates have proved to be competent according to the special requirements for each discipline. The respective Committees and Panels organise Seminars that are compulsory for certain Officials.

3.3 GRADES FOR CLERK OF THE COURSE

1. **Probationary** Any club may nominate a Probationary Clerk of the Course. Such a Registered Official may only act as an Assistant Clerk of the Course at a Closed to Club event.
2. **National Grade D** A Clerk of the Course who may officiate at any Closed to Club, National Restricted or National event for Hill Climb, Drag or Sprint. May officiate as a Deputy to a National Grade E Clerk of the Course

To upgrade from a National D to a National E a licence holder must officiate as a National D Clerk of the Course at 5 events. He must act as a Deputy to a National E Clerk of the Course at 5 events and be recommended by the Clerk of the Course at each. In addition members of the Road Race, Drag and Sprint Committee may be appointed to observe him. A club must nominate him as being required to take charge of a specific future event.

3. **National Grade E** A Clerk of the Course who may officiate at any event held under an ACU Permit for Hill Climb, Drag or Sprint. May officiate as a Deputy or Assistant to an FIM or UEM International Clerk of the Course for Hill Climb, Drag or Sprint.

Note 1 Clerk of the Course

AGE LIMITS:

Regardless of age or type of licence held Clerks of the Course of all grades may not officiate beyond the end of the season in which they attain their 70th birthday.

Note 2 Chief Steward

Grading

There is only one grade of Steward’s Licence for all Road Race disciplines.

Age Limits

Stewards may not normally officiate beyond the end of the season in which they attain their 70th birthday. The Road Race, Drag and Sprint Committee will review Stewards who reach the age of 70 for appointments on an annual basis.

Note 3 Chief Technical Officer

The Chief Technical Officer may be a Senior Technical Official or a Registered Technical Official to be in charge of the Technical Control at an event.

Note 4 Measurer

The Measurer is required for ACU National Championships and National events. The Licence is issued by the Technical Panel and may be restricted by discipline.

Note 5 Timekeepers

Will be required to pay for their Licence.

Licence Fees:

All licences (exception Timekeepers licences) will be issued, free of charge, for a period of three years. A fee may be charged for attendance at all Seminars organised by the Road Race Drag and Sprint Committee or the relevant Panel.

3.4 SPRINT OFFICIALS WHO DO NOT REQUIRE A LICENCE

	See Note Below	Attendance at Seminar/Training Session
Incident Officer	1 and 4	May attend Clerk of the Course Seminar at ACU HQ for information purposes
Secretary of the Meeting	2 and 4	Will receive Training at meetings and if required at Regional or ACU HQ Seminars
Technical Official		Will receive training via the Chief Technical Officer at meetings May attend Regional Training Seminars
Club Stewards	3	May attend Regional or ACU HQ Seminars for information purposes
Chief Marshal		May receive training at ACU HQ or Regional Training Days
Marshal		May receive training at Regional Training days and at meetings via the Chief Marshal
Medical Officer		None required

Registration of the above officials and marshals will be renewed annually and they will receive an appropriate form of identification from the ACU.

Note 1 Incident Officer

Will collate all information and documentation, and prepare reports relating to serious accidents and to all incidents involving Officials or Spectators.

Note: A Deputy Clerk of the Course may undertake these duties. An Incident Officer may be nominated to attend a Clerk of the Course Seminar to assist with these duties.

Note 2 Secretary of the Meeting

Will be responsible for all administration connected with the organisation of a meeting.

Note 3 Club Stewards

Will together with the Chief Steward form the judicial authority over the running of the meeting.

Note 4 Incident Officer and Secretary of the Meeting

Currently there is no requirement for these officials to be Registered for Road Race Disciplines.

SECTION 4 START AND FINISH PROCEDURE**4.1 TIMING EQUIPMENT**

1. Unless otherwise provided for in the Supplementary Regulations, the timing apparatus shall not be placed beneath the wheels of the motorcycle in order to actuate the timing equipment.
2. The ACU grade of the timing apparatus must be stated in the Supplementary Regulations.

4.2 STARTS

1. Starts shall be made from a stationary position with the engine running and foremost part of the motorcycle a distance of 100mm behind an actual start line or a stage beam set 100mm behind a start beam.
2. A chock shall be placed against a rear wheel of the motorcycle upon lining up with the 100mm mark and shall be retained in position.
3. A rider must start within one minute of receiving the start signal.
4. Any rider failing to start within this period may be disqualified. A rider will be deemed to have started when his machine actuates the timing equipment.

4.3 FINISH

1. The finishing line shall be clearly marked and defined by a chequered flag or board.
2. The limit of the braking area shall be clearly defined. The distance of the braking area must be stated in the Supplementary Regulations. If ropes are used, coloured streamers (minimum 300mm in length) must be attached at intervals of not more than 2 metres.

SECTION 5 FLAGS AND LIGHTS

Marshals and other officials display flags or lights to provide information and/or convey instructions to the riders:

5.1 FLAGS AND LIGHTS USED TO PROVIDE INFORMATION**1. GREEN FLAG**

1. The track is clear
2. This flag must be shown motionless at each flag marshal post for the first practice run to indicate the flag marshal posts.

2. YELLOW AND RED STRIPED FLAG (OPTIONAL)

1. The adhesion on this section of the track could be affected.

3. CHEQUERED BLACK/WHITE FLAG OR BOARD

1. This flag or board will be displayed to indicate the finish line.

5.2 FLAGS WHICH CONVEY INFORMATION AND INSTRUCTIONS**1. YELLOW FLAG (OPTIONAL)**

1. Shown waved at the flag marshal post, this flag indicates that there is a danger ahead.

2. The riders must slow down and be prepared to stop.
3. Any infringement of this rule during a run will result in the cancellation of the time of the run during which the infraction occurred.
4. Further penalties (such as fine – suspension) may also be imposed.

2. RED FLAG AND RED LIGHTS

1. When the run is being interrupted, the red flag will be waved at each flag marshal post and the red lights (where provided) switched on. Riders must stop and await instructions.
2. Any infringement of this rule will be penalised with one of the following penalties:
fine – disqualification – withdrawal of Championship points – suspension.

The red flag may also be used to close the track.

5.3 FLAG DIMENSIONS

The flag dimension should be approximately 80cms in the vertical and 100cms in the horizontal.

5.4 FLAG COLOURS

The Pantones for the colours are as follows:

- Red: Pantone 186C
- Yellow: Pantone Yellow C
- Green: Pantone 348C

SECTION 6 BEHAVIOUR AT A MEETING

- 6.1 Riders are not allowed to transport another person on their machine or to be transported by another rider on his machine.
- 6.2 Solo riders must adopt a position with their feet on the footrests.
- 6.3 Riders who fall from their machine are not permitted to continue in the meeting until passed fit by the Medical Personnel and the machine re-inspected by technical control. In the event of a serious accident organisers may impound any machines, equipment or clothing of riders involved in the accident.
- 6.4 Riders must not ride or push their motorcycles in the opposite direction of the circuit, unless doing so under the direction of an Official.
- 6.5 The carrying of on board cameras is only permitted with the prior approval, in writing of the Clerk of the Course. The installation of the camera must be approved by the Chief Technical Officer.
- 6.6 Stopping on the track during a run is forbidden except for machine failure.
- 6.7 The spinning of rear wheels (burn-outs) is strictly forbidden on the track, with the exception of the start area. Breach of this rule will result in a penalty of disqualification.
- 6.8 All competitors finishing an event must submit the machine for final examination if required. The organisers may retain that machine for a reasonable period to allow for that examination.
- 6.9 Any competitor who in any ACU or MCRCB Permitted Event participates on a machine for which he is not eligible through age or licence restrictions will be penalized by a fine of £500.00 and a suspension for one year from the date of the hearing.

SECTION 7 SAFETY

7.1 MEDICAL SERVICES – MINIMUM REQUIREMENTS FOR HILLCLIMB MEETING

	PERSONNEL			VEHICLES		
	Doctors MO	Paramedic(s) PM	First Aid personnel	Ambulance(s)	Fast Intervention Vehicle	Special Notes
Hillclimb	1 MO or 1PM		2	1		

The following applies to all events run under this code.

1. **Medical Officer (MO) – Doctor** A medical practitioner (doctor) fully registered with the General Medical Council (GMC), and holding appropriate personal medical malpractice insurance cover (excludes NHS Crown Indemnity)
2. **Paramedic (PM)** A State Registered Paramedic with the HPC (Health Professionals Council) Paramedics must have appropriate personal medical malpractice insurance cover.
3. **Ambulance** A vehicle registered as an ambulance with the DVLA (Driver and Vehicle Licencing Agency) or similar government licencing authority and complying with FIM minimum equipment regulations for a type C vehicle; that is:
 Medical: A stretcher (preferably standardised), oxygen supply, apparatus to immobilise limbs and vertebral column. First aid medicaments and materials.
 Technical: Radio communication. Visible and audible signals.
 Staffing: An ambulance must be staffed by two First Aid Personnel (who can be the two minimum First Aid Personnel). An ambulance may act as a Medical Centre BUT if so it must be a vehicle in addition to the minimum ambulance requirement.
 An ambulance may act as a Medical Centre BUT if so it must be a vehicle additional to the minimum ambulance requirement.
4. **First Aid Personnel** A person holding a current certificate of First Aid competency. (Where an event is open to the public event organisers should ensure that all First Aid personnel are insured against malpractice for the event concerned).

Special Notes

The minimum medical requirements specific for this discipline also apply to associated Test Days.

5. **Medical Examination** At any time during a meeting the Clerk of the Course may require a competitor to undergo a medical examination to determine his fitness to ride. The decision of the Medical Officer is a matter of fact without right of protest.

7.2 TRACK SAFETY PRECAUTIONS

1. The safety precautions of circuits will be as laid down for each Permanent Course Licence or Temporary Course Certificate following an inspection of the course.
2. It should be generally realised that the organisers of speed events have a legal responsibility to the general public and therefore it is the duty of these organisers to ensure that all reasonable precautions are taken to protect the public.
3. Whilst organising clubs are insured under the Promoters Third Party Policy in respect of their legal liability, it is a condition of the policy that the promoters of an event must comply strictly with the National Sporting Code and any additional requirements as may be specified by the Permanent Course Licence or Temporary Course Certificate.
 Clubs failing to do so stand in grave danger of any claims being repudiated to the club by the insurers under the terms of the policy covering legal liability.
4. The safety precautions to be adopted are provided with the Permanent Course Licence or Temporary Course Certificate for the particular course but the following general requirements must be observed.
5. The attention of organisers is drawn to the provision of the NSC which stipulates that no alteration of the requirements contained in the Permanent Course Licence or Temporary Course Certificate shall be made without the prior approval, in writing, of the ACU.
6. It is recognised that circumstances may arise in which it is necessary to make certain alterations to the course on the day of the meeting but any such alterations must be approved by the Stewards of the Meeting and details given in their report to the authority granting the permit.

7.3 FIRE EXTINGUISHERS

Each working vehicle in the Paddock must have a 2 Kg (minimum) dry powder fire extinguisher

available for immediate use. This extinguisher must show the date of the last annual inspection. Non – compliance with this regulation will incur a penalty imposed by the Clerk of the Course.

7.4 FIRE EXTINGUISHERS AT CIRCUITS

At all race and speed events, there must be a valid certificate, issued annually immediately prior to the start of each season's racing by the manufacturer or his agent, to the effect that all fire extinguishers are in effective working order. This certificate must be available for inspection by the Stewards.

All fire posts must be clearly marked. In addition to the fire equipment at each post there must be:

1. Fire extinguishers in the paddock and assembly area.
2. At least two fire extinguishers in the Technical Control Area.
3. Fire extinguishers in every medical room/centre.

7.5 WARNING AND PROHIBITION SIGNS AT CIRCUITS

For full details regarding Warning Notices and Prohibition Notices please refer to the Safety Precautions section of this Handbook.

1. WARNING NOTICES

The following requirements regarding the display of Warning notices are applicable to all Hill Climb events.

1. WARNING NOTICE (A) (29 × 20 inches.) Warning notices as detailed below must be displayed on each side of every entrance to the course, including the entrance to car parks and paddock.

These notices must be prominently displayed where they can be easily read by the public before any admission charge is paid, or where no admission charge is made before entry is gained into the circuit.

Where it is not possible to define the limits of the site and to control admission of the public (e.g. War Department and heath land) warning notices must be profusely displayed around the course and also in the car parks.

2. WARNING NOTICE (B) (20 × 15 inches.) Those parts of the course to which the public may be admitted and where it is neither practical nor necessary to erect a barrier, e.g. those parts of the course which are straight and are only used by the public to reach other parts of the course, may be indicated by the erection of the special type of Warning Notice (B). These notices should be displayed at least 30ft. from the course. It is recommended that the limit of these areas should also be defined by a boundary tape.

2. PROHIBITION NOTICES

The following requirements regarding the display of Prohibition notices are applicable to all Speed events.

PROHIBITED AREA NOTICE (C) (29 × 20 inches.) Areas where the public are not permitted must be clearly defined by the display of an adequate number of "Prohibited Area" notices (B). Notices should be displayed within the prohibited area, facing the public.

7.6 DECLARATION – ADMISSION TICKETS, ARMBANDS AND PASSES

Subject to the provision of the Sunday Observance Act 1780, no person may be allowed to any part of the circuit without a suitable pass or ticket. All tickets and passes must bear the following wording shown below in full and if the wording appears on the reverse side then the words "For Conditions of Admission See Over" must be clearly printed on the face thereof. Where a ticket is cancelled by being torn in half, the full wording and, where applicable, the "For conditions of admission see over" must appear on each half. Where a charge is made for admission into special or "reserved" enclosures a ticket bearing the approved declaration must be issued in exchange for payment to enter these enclosures.

Declaration.

WARNING. MOTOR SPORT CAN BE DANGEROUS. Despite the organisers taking all reasonable precautions, unavoidable accidents can happen. Please comply with all instructions of marshals and notices and remain in permitted areas only. THEY ARE CONCERNED WITH YOUR SAFETY. All vehicle passes must bear the same wording and comply with the above requirements.

7.7 DECLARATION ON THE OFFICIAL PROGRAMME

The declaration as outlined above should be printed in full on the outside front cover of all Official Programmes. Where this is not possible it must be printed in full in the programme and the words "For conditions of admission see inside" printed on the outside cover.

7.8 SIGNING ON

All riders, passengers, officials and assistants, press and team crew must sign a declaration on the relevant signing on form (available from the ACU).

1. Age Limits for Officials
All event Executive and Administrative Officials shall be 18 years of age or over.
2. Age Limits for Marshals
 1. All Assistant Officials whose function is to be carried out at the immediate track-side must be at least 16 years of age.
 2. All Assistant Officials who are under 18 years of age must have obtained parental agreement to carry out the duty and the signing-on signature must be countersigned by the person responsible for the official at the event.
 3. When using the services of officials under 18 years of age for any duties at any event special attention must be given to any risks which may be associated with the duty, and to the previous experience of the official.

SECTION 8 SPECIFICATION OF MOTORCYCLE

Motorcycles must comply with the requirements of the following Regulations.

8.1 DRIVE

The drive to the machine shall be only through the road wheel or wheels.

8.2 BRAKES

1. Solo motorcycles must be equipped with one efficient brake operating on each wheel, and operated independently.
2. Motorcycles in Group B1, B2 and B3 must be equipped with at least two brakes, operating independently, on at least two of the road wheels, each giving complete control.

8.3 TYRES

Any type of tyre is permissible.

8.4 MUDGUARDS

Mudguards are not compulsory.

8.5 CLUTCH AND BRAKE LEVERS

Clutch and brake levers must be ball ended, the diameter of the ball being not less than 16mm and either an integral part of the lever or a permanent fixture.

8.6 PRIMARY AND AUXILIARY DEVICES

Adequate guards must be fitted to prevent the drives being accidentally touched at any part of the run not in contact with the sprockets.

8.7 THROTTLES

All machines must be fitted with self-closing throttles.

8.8 HANDLEBARS

1. The minimum angle of rotation of the handlebars, each side of the centre line or mid-position must be 20 degrees.
2. Handlebar minimum width 450mm.
3. Whatever the position of the handlebars, it must not be possible for the front wheel to make contact with any streamlining.
4. It is compulsory to fit a stop or stops or other devices to ensure a minimum clearance of 30mm between the handlebars and tank when on full lock to prevent the trapping of the rider's fingers.

8.9 SUPERCHARGERS

Superchargers are permitted.

8.10 FUEL

1. Fuel may be Methanol or unleaded petrol, see ACU/FIM Fuel Regulations for physical properties, fuel test costs and penalties for non-compliance. (Test costs and penalties also apply if Methanol is used).
2. Power boosters nitrous oxide injection and octane boosters are forbidden.
3. Fuel must be stored in a labelled metal container.
4. Machines of a type manufactured before 1975 may use leaded pump petrol.

8.11 FOOTRESTS

1. The footrests for the rider must be positioned to give easy access to any control pedal.
2. The ends of the footrests must be rounded with a ball end of not less than 8mm diameter.

8.12 OIL DRAIN PLUGS AND SUPPLY PIPES

All oil drain plugs must be tight and must be drilled and wired in position. Oil supply pipes must be adequately wired in position.

8.13 OIL CATCH TANKS

1. Where an oil breather pipe is fitted the outlet must discharge into a catch tank located in an easily accessible position and which must be emptied before the start of a meeting.
2. Total loss engines must have an effective means of collecting all ejected oil with no discharge to road.

8.14 NUMBER PLATES

1. Whenever number plates are required to be carried at an event they will be three in number and must comply with the following requirements.
2. They must be made of rigid material and solidly constructed, rectangular in shape, measuring a minimum of 235mm × 285mm in size with 50mm radius rounded corners.
3. The plates must be flat or slightly curved (not more than one inch from the true plane) and must not be otherwise bent or obscured in any way.
4. One plate must be carried facing forward and not more than 25 degrees from the vertical and others must be facing outwards and vertical, one on each side of the machine.
5. The minimum dimension of the figures must be: height 140mm, width of stroke 25mm, and the space between any two figures 25mm.
6. The figures must be legible and both figures and background must be in a 'matt' (non-shiny)

colour. The following colours shall be used and they must be Matt colours following the RAL Colour table:

Black 9005, Blue 5010, Yellow 1003, Orange 2007,
Red 3020, Green 6002, White 9010

The front and side number plates for each class of motorcycles are:

Class	Background	Numbers
F125cc	Red background	White numbers
125cc	Black background	White numbers
250cc	Green background	White numbers
350cc	Blue background	White numbers
500cc	Yellow background	Black numbers
over 500cc	White background	black numbers
Supersport 400	Blue background	White numbers
Formula 400	Blue background	White numbers
Supersport 600	White background	Blue numbers
Formula 600	White background	Blue numbers
Supermono	Black background	Yellow numbers
Stocksport	Red background	White numbers
FII Sidecars	Red background	White numbers
Open Sidecars (Three wheelers)	White background	Black numbers

- They must be so fixed that they are clearly visible and not obscured by any part of the machine or by the rider when he is in the riding position.
- In place of detachable plates similar areas may be painted on the body of the machine or on the streamlining.
- Any other number plate or any marking on the motorcycle that might be confused with a number plate must be removed before the rider is allowed to start.

8.15 CONTROL OF EXHAUST SOUND LEVEL

- The Clerk of the Course may disqualify any machine which exceeds the maximum permitted sound level, or which in his opinion is deemed to be excessively noisy.
- The sound level of hill climb machines is controlled according to the FIM method.
- Machines must comply with the Supplementary Regulations for the meeting.

8.16 CONSTRUCTION

As per the Road Race Regulations.

8.17 ADDITIONAL SPECIFICATIONS FOR THREE WHEEL MACHINES

Class 1

- Handlebar steering – handlebar minimum width 450mm.
- Handlebar twist grip.
- Single front wheel steering only.
- Or be age related, historic three wheel machines.

Class 2

- Modern three wheel car type machines.
 - Steering wheel.
 - Accelerator pedal.
- All fully enclosed streamlined three-wheelers must carry a timing strut mounted on the most forward part of the vehicle to activate timing devices in events where timing is activated by a light beam.

3. The vertical strut must be opaque and non-reflecting and a height of 25.4cm by a depth of 5cm between 20cm and 46cm from the ground.
4. A passenger or ballast must be carried in addition to the rider. If a passenger is replaced by ballast this must weigh not less than 132lb and must be securely affixed under the supervision of a Technical Official. Where a passenger is carried, the passenger must always be completely protected from the road wheels and drive (both primary and final) either by mud guarding or some other means.

SECTION 9 RUN WHAT YOU BRUNG – CLASSES FOR ROAD LEGAL MACHINES

The National Sporting Code of the ACU, these Standing Regulations and the Disciplinary Section of the Road Race Standing Regulations shall apply to all Sprint and Hill Climb “Run what you Brung” events within a Sprint or Hill Climb Meeting together with the Supplementary Regulations and any final instructions.

9.1 DEFINITION

A race at a Sprint or Hill Climb meeting for Competitors competing on motorcycles registered and licenced for use on the Public Highway.

9.2 ELIGIBILITY

Open to competitors who are holders of a full DVLA motorcycle licence and who hold an ACU Competition Licence or ACU One Event Licence.

9.3 MACHINE ELIGIBILITY

Any motorcycle registered and licenced for use on the Public Highway. A current MOT certificate, if required, must be produced at Technical Control inspection. The machine must be in road legal condition to be eligible to take part in this type of event.

9.4 TECHNICAL CONTROL

1. The machine must be free from all obvious fluid leaks.
2. A number issued by the organisers must be displayed on the machine, to enable identification.
3. All lights and indicators must be taped over.
4. All stands must be wired or taped up.

9.5 PROTECTIVE CLOTHING

See Section 10 below.

SECTION 10 PROTECTIVE CLOTHING

10.1 PROTECTIVE CLOTHING

1. Bulky hard objects such as tools etc. are NOT to be carried in pockets or on the person.
2. During practice and racing, riders and passengers must wear the following clothing and footwear:
3. Competitors must wear a complete leather suit of at least 1.2mm in thickness (on all parts of the suit), two piece suits that zip together at the waist are acceptable. Each part of the zip should be securely attached to the jacket or the trousers respectively and the suit must zip together over at least 75% of the waist band.
4. Non-leather material may be used if it meets with the requirements laid down by ACU Road Racing Standing Regulations.
5. Competitors footwear must be of leather (i.e. outer hide) or an approved substitute material

and of a minimum height of 200mm to provide, with the suit, complete protection i.e. no exposed areas.

6. Competitors must wear leather (or an approved substitute material) protective gloves.

10.2 BODY JEWELLERY

It is recommended that any body piercing studs, ring etc. are removed.

10.3 HELMETS

1. Helmets bearing the current ACU gold stamp and in sound condition and properly fitted must be worn by all riders and passengers while practicing and racing.
2. Overseas riders may use helmets as approved by their own FMN.

Sprint

SECTION 1 MEETINGS

1.1	Categories of Meetings	377
1.2	International	377
1.3	European Open	377
1.4	National	377
1.5	Open	377
1.6	Restricted	377
1.7	Eligibility of Foreign Riders in Open and Restricted Meetings	378
1.8	Practice Meetings and Test Days	378
1.9	Conditions for Sprint Meetings	378

SECTION 2 LICENCES – COMPETITORS

2.1	General	378
2.2	Grades	378
2.3	Lapsed Licences	379
2.4	Capacity and Licence Restrictions	379

SECTION 3 LICENCES AND REGISTRATIONS – OFFICIALS

3.1	Qualifications and Conditions	379
3.2	Sprint Officials who require a Licence	379
3.3	Grades for Sprint Clerk of the Course	380
3.4	Sprint Officials who do not require a Licence	381

SECTION 4 START AND FINISH PROCEDURE

4.1	Timing Equipment	381
4.2	Starts	381
4.3	Finish	381

SECTION 5 FLAGS AND LIGHTS

5.1	Flags and Lights used to Provide Information	382
5.2	Flags which convey Information and Instructions	382
5.3	Flag Dimensions	382
5.4	Flag Colours	382

SECTION 6 BEHAVIOR AT A MEETING

SECTION 7 SAFETY

7.1	Medical Services Minimum requirements for Sprint Meeting	383
7.2	Track Safety Precautions	384
7.3	Fire Extinguishers	384
7.4	Fire Extinguishers at Circuits	384
7.5	Warning and Prohibition Signs at Circuits	384
7.6	Declaration – Admission Tickets, Armbands and Passes	385
7.7	Declaration on the Official Programme	385
7.8	Signing On	385

SECTION 8 TECHNICAL SPECIFICATIONS

8.1	Drive	386
-----	-------	------------

8.2	Brakes	386
8.3	Size of tyres	386
8.4	Clutch and brake levers	386
8.5	Primary and Auxiliary Devices	386
8.6	Throttle	386
8.7	Mudguards	386
8.8	Exhaust Pipes	386
8.9	Discharges	386
8.10	Superchargers	386
8.11	Handlebars	386
8.12	Footrests	386
8.13	Streamlining	387
8.14	Fuel	387
8.15	Number Plates	387
8.16	Control of exhaust sound level	388
8.17	Construction	388
8.18	Specifications for Solo Machines	388
8.19	Additional specifications for three-wheelers	389

SECTION 9 RUN WHAT YOU BRUNG SPRINT & HILL CLIMB EVENTS

9.1	Definition	389
9.2	Eligibility	389
9.3	Machine Eligibility	389
9.4	Technical Control	389

SECTION 10 PROTECTIVE CLOTHING

10.1	Protective Clothing	389
10.2	Body Jewellery	390
10.3	Helmets	390

SECTION 11 ACU SPRINT CHAMPIONSHIP

11.1	Title	390
11.2	Eligibility	390
11.3	Classes	390
11.4	Points	391
11.5	Overall Classification	391
11.6	Ties	391
11.7	Results return method	391

SECTION 12 RECORD ATTEMPTS**391**

The National Sporting Code of the ACU and the Standing Regulations together with the Supplementary Regulations and any Final Instructions shall apply to all Sprints held under an ACU Permit.

SECTION 1 MEETINGS

1.1 CATEGORIES OF MEETINGS

- International Meetings
- European Open Meetings
- National Meetings
- Open Meetings
- Restricted Meetings

Permits for all Sprint competitions are issued by ACU Headquarters

1.2 INTERNATIONAL

1. The Permit shall be issued by the ACU Headquarters for a meeting inscribed on the International Calendar of the FIM and having an FIM International Meeting Number (IMN).
2. An International meeting is open to Entrants and Riders of more than one nation who must hold an International Licence or a National Licence issued by the ACU valid for the particular meeting concerned.
3. All riders not holding a Licence issued by the ACU or SACU must carry proof of Insurance and a written Start Permission document issued by their FMN.

Note: This includes all riders holding a licence issued by the MCUI.

1.3 EUROPEAN OPEN

1. The permit shall be issued by ACU Headquarters for a meeting inscribed on the Calendar of the Union of European Motorcycling (UEM) and having a European Meeting Number (EMN).
2. A European Open meeting is open to Entrants and Riders of more than one European nation who must hold the appropriate Competition Licence valid for the particular meeting concerned.
3. All riders not holding a Licence issued by the ACU or SACU must carry proof of Insurance and a written Start Permission document issued by their FMN.

Note: This includes all riders holding a licence issued by the MCUI.

1.4 NATIONAL

1. The Permit shall be issued by the ACU Headquarters.
2. A National meeting is open to Entrants and Riders who are the holders of a National or International Licence valid for the particular meeting concerned issued by any Federation.
3. All riders not holding a Licence issued by the ACU or SACU must carry proof of Insurance and a written Start Permission document issued by their FMN.

Note: This includes all riders holding a licence issued by the MCUI.

1.5 OPEN

1. An Open permit is issued by ACU Headquarters.
2. An Open meeting is open to Entrants and Riders who hold a valid ACU or SACU Licence for the meeting concerned.

1.6 RESTRICTED

1. A Restricted Permit is issued by ACU Headquarters.
2. A Restricted meeting is open to Entrants and Riders who hold a current ACU Licence valid for the meeting concerned.

3. The Supplementary Regulations issued for the event must specify all restrictions and requirements of eligibility.

1.7 ELIGIBILITY OF FOREIGN RIDERS IN OPEN AND RESTRICTED MEETINGS

1. The Supplementary Regulations issued for the event must specify the licence qualification and eligibility requirements of foreign riders.
2. All riders must have a current Licence and Start Permission from their own Federation valid for the event.

1.8 PRACTICE MEETINGS AND TEST DAYS

1. Permits for Practice Meetings and Test Days may be issued on application to the Permit Issuing Authority.
2. No such event may be held unless the appropriate Permit and Insurance has been issued.

1.9 CONDITIONS FOR SPRINT MEETINGS

1. The ACU Road Race Committee must approve the Organiser.
2. The Venue must hold a current Track Licence or Track Certificate issued by the ACU Road Race Committee.
3. The ACU Secretariat must approve the Supplementary Regulations for the event and issue an ACU Permit prior to publication and circulation.
4. For all ACU Championships an ACU decal, supplied by the ACU Secretariat, must be displayed on the front number plate of each machine.
Any rider not complying will be disqualified from the results of the race.
5. The Race Control must remain operative with all equipment in place until the end of the period provided for the lodging of a protest, and all officials and marshals must remain at the circuit and available to the Clerk of the Course and the Stewards during that period.

SECTION 2 LICENCES – COMPETITORS

2.1 GENERAL

1. To participate in events an annual Licence issued by the ACU is required. Residents in Scotland apply to the Scottish ACU.
2. A Licence can be upgraded at any time during the year.
3. The parent or legal guardian must accompany all competitors, or participants in parades, under 18 years of age to every meeting. This person must attend at signing-on and be present throughout the meeting.
4. A One-Event Licence is available to Competitors resident in the UK for meetings up to National Level

2.2 GRADES

1. **Clubman** Entry Level for first time applicants.
2. **National** After competing satisfactorily in 10 separate race days during the current year and preceding 3 years a Clubman Competitor may apply to be upgraded to a National licence.
3. **International** National licence holders who have completed at 5 race days may apply for an FIM Non-Championship International Licence.
A medical examination is required.
4. **International Championship** National licence holders who have competed at 5 race days may apply for a UEM or FIM Championship licence as described in the appropriate Sporting Code.
A medical examination is required.

2.3 LAPSED LICENCES

1. **Clubman** Clubman licence holders who have allowed their licence to lapse for more than 3 years will be re-issued with a Clubman licence.
2. **National** National licence holders who have allowed their licence to lapse for more than 3 years will be re-issued with a Clubman licence.

2.4 CAPACITY AND LICENCE RESTRICTIONS

For each category the table indicates the Class, ages and machine specifications.

Minimum Age	Licence	Grade of Capacity of Machine
11 yrs	Clubman	up to 125cc Production Scooter Automatic
12 yrs	Clubman	up to 125cc Production
13 yrs	National	up to 125cc GP Machine
14 yrs	Clubman	up to 125cc GP Machine
15 yrs	National	up to 500cc twin Cylinder, 4 Stroke Production Based Machine
16 yrs and over	No restrictions	

Junior Competitors are restricted to a maximum sprint of ¼ mile.

1. When a rider reaches the maximum age limit for his class, he may continue to compete in that class until the end of the calendar year or upgrade on his birthday.
2. A junior may only compete in one class. Any junior rider being issued with an adult licence cannot revert back to junior status.

Important Notice

If a participant is under 18 years of age he/she must be accompanied to every meeting by their Parent or Legal Guardian. The Parent or Legal Guardian must attend signing on with the competitor and be available for the duration of the meeting.

SECTION 3 LICENCES AND REGISTRATIONS – OFFICIALS

3.1 QUALIFICATIONS AND CONDITIONS

Sprint Officials are divided into two categories:

Those that are **Licensed** and those that are **Registered**.

Fees are payable in respect of any Licences or Registration or for the appropriate form of identification issued.

Licences: Senior Sprint Officials are required to hold an ACU Licence of the appropriate Grade for the performance of their duties.

Registration: A Register is maintained of Officials not required to hold a Licence.

3.2 SPRINT OFFICIALS WHO REQUIRE A LICENCE

All the following licences are valid for 3 years

	See Note Below	Attendance at Seminar/Training Session
Clerk of the Course	1	Every third year maximum
Chief Steward	2	Every third year maximum
Chief Technical Officer	3	Every third year maximum
Sound Inspector		Required for First Issue only
Measurer	4	Required for First Issue only
Timekeeper	5	Equipment and operators check

Clubs and Centres shall only nominate candidates whose aptitude and integrity for the position they can fully justify. Official ACU approval and the issue of a Licence is only after the candidates have

proved to be competent according to the special requirements for each discipline. The respective Committees and Panels organise Seminars that are compulsory for certain Officials.

3.3 GRADES FOR SPRINT CLERK OF THE COURSE

1. **Probationary** Any club may nominate a Probationary Clerk of the Course. Such a Registered Official may only act as an Assistant Clerk of the Course at a Closed to Club event.
2. **National Grade D** A Clerk of the Course who may officiate at any Closed to Club, National Restricted or National event for Hill Climb, Drag or Sprint. May officiate as a Deputy to a National Grade E Clerk of the Course
3. **National Grade E** A Clerk of the Course who may officiate at any event held under an ACU Permit for Hill Climb, Drag or Sprint. May officiate as a Deputy or Assistant to an FIM International Clerk of the Course for Hill Climb, Drag or Sprint.
To upgrade from a National D to a National E a licence holder must officiate as a National D Clerk of the Course at 5 events. He must act as a Deputy to a National E Clerk of the Course at 5 events and be recommended by the Clerk of the Course at each. In addition members of the Road Race, Drag and Sprint Committee may be appointed to observe him. A club must nominate him as being required to take charge of a specific future event.

Note 1 Clerk of the Course

Age Limits

Regardless of age or type of licence held Clerks of the Course of all grades may not officiate beyond the end of the season in which they attain their 70th birthday.

Note 2 Chief Steward

Grading.

There is only one grade of Steward's Licence for all Road Race disciplines

Age Limits

Stewards may not normally officiate beyond the end of the season in which they attain their 70th birthday. The Road Race, Drag and Sprint Committee will review Stewards who reach the age of 70 for appointments on an annual basis.

Note 3 Chief Technical Officer

The Chief Technical Officer may be a Senior Technical Official or a Registered Technical Official to be in charge of the Technical Control at an event.

Note 4 Measurer

The Measurer is required for ACU National Championships and National events. The Licence is issued by the Technical Panel and may be restricted by discipline.

Note 5 Timekeepers

Will be required to pay for their Licence.

Licence Fees:

All licences (exception Timekeepers licences) will be issued, free of charge, for a period of three years. A fee may be charged for attendance at all Seminars organised by the Road Race Drag and Sprint Committee or the relevant Panel.

3.4 SPRINT OFFICIALS WHO DO NOT REQUIRE A LICENCE

	See Note Below	Attendance at Seminar/Training Session
Incident Officer	1 and 4	May attend Clerk of the Course Seminar at ACU HQ for information purposes
Secretary of the Meeting	2 and 4	Will receive Training at meetings and if required at Regional or ACU HQ Seminars
Technical Official		Will receive training via the Chief Technical Officer at meetings May
attend Regional Training Seminars		
Club Stewards	3	May attend Regional or ACU HQ Seminars for information purposes
Chief Marshal		May receive training at ACU HQ or Regional Training Days
Marshal		May receive training at Regional Training days and at meetings via the Chief Marshal
Medical Officer	None required	

Registration of the above officials and marshals will be renewed annually and they will receive an appropriate form of identification from the ACU.

Note 1 Incident Officer

Will collate all information and documentation, and prepare reports relating to serious accidents and to all incidents involving Officials or Spectators.

Note: A Deputy Clerk of the Course may undertake these duties. An Incident Officer may be nominated to attend a Clerk of the Course Seminar to assist with these duties.

Note 2 Secretary of the Meeting

Will be responsible for all administration connected with the organisation of a meeting.

Note 3 Club Stewards

Will together with the Chief Steward form the judicial authority over the running of the meeting.

Note 4 Incident Officer and Secretary of the Meeting

Currently there is no requirement for these officials to be Registered for Road Race Disciplines.

SECTION 4 START AND FINISH PROCEDURE

4.1 TIMING EQUIPMENT

1. Unless otherwise provided for in the Supplementary Regulations, the timing apparatus shall not be placed beneath the wheels of the motorcycle in order to actuate the timing equipment.
2. The ACU grade of the timing apparatus must be stated in the Supplementary Regulations.

4.2 STARTS

1. Starts shall be made from a stationary position with the engine running and foremost part of the motorcycle a distance of 100mm behind an actual start line or a stage beam set 100mm behind a start beam.
2. A chock shall be placed against a rear wheel of the motorcycle upon lining up with the 100mm mark and shall be retained in position.
3. A rider must start within one minute of receiving the start signal. Any rider failing to start within this period may be disqualified.
4. A rider will be deemed to have started when his machine actuates the timing equipment.

4.3 FINISH

1. The finishing line shall be clearly marked and defined by a chequered board, for each lane.

2. The limit of the braking area shall be clearly defined. The distance of the braking area must be stated in the Supplementary Regulations. If ropes are used, coloured streamers (minimum 300mm in length) must be attached at intervals of not more than 2 meters.

SECTION 5 FLAGS AND LIGHTS

Marshals and other officials display flags or lights to provide information and/or convey instructions to the riders:

5.1 FLAGS AND LIGHTS USED TO PROVIDE INFORMATION

1. GREEN FLAG

1. The track is clear
2. This flag must be shown motionless at each flag marshal post for the first practice run to indicate the flag marshal posts.

2. YELLOW AND RED STRIPED FLAG

1. The adhesion on this section of the track could be affected.

3. CHEQUERED BLACK/WHITE FLAG OR BOARD

1. This flag or board will be displayed to indicate the finish line.

5.2 FLAGS WHICH CONVEY INFORMATION AND INSTRUCTIONS

1. YELLOW FLAG (OPTIONAL)

1. Shown waved at the flag marshal post, this flag indicates that there is a danger ahead. The riders must slow down and be prepared to stop.
2. Any infringement of this rule during a run will result in the cancellation of the time of the run during which the infraction occurred.
3. Further penalties (such as fine – suspension) may also be imposed.

2. RED FLAG AND RED LIGHTS

1. When the run is being interrupted, the red flag will be waved at each flag marshal post and the red lights (where provided) switched on. Riders must stop and await instructions.
2. Any infringement of this rule will be penalised with one of the following penalties: fine – disqualification – withdrawal of Championship points – suspension.
3. The red flag may also be used to close the track.

5.3 FLAG DIMENSIONS

The flag dimension should be approximately 80cms in the vertical and 100cms in the horizontal.

5.4 FLAG COLOURS

The Pantones for the colours are as follows:

- Red: Pantone 186C
 Yellow: Pantone Yellow C
 Green: Pantone 348C

SECTION 6 BEHAVIOR AT A MEETING

- 6.1 Riders are not allowed to transport another person on their machine or to be transported by another rider on his machine
- 6.2 Solo riders must adopt a position with their feet on the footrests.
- 6.3 Riders who fall from their machine are not permitted to continue in the meeting until passed

- fit by the Medical Personnel and his machine re-inspected by technical control. In the event of a serious accident organisers may impound any machines, equipment or clothing of riders involved in the accident.
- 6.4 Riders must not ride or push their motorcycles in the opposite direction of the circuit, unless doing so under the direction of an Official.
 - 6.5 The carrying of on board cameras is only permitted with the prior approval, in writing of the Clerk of the Course. The installation of the camera must be approved by the Chief Technical Officer.
 - 6.6 Stopping on the track during a run is forbidden except for machine failure.
 - 6.7 The spinning of rear wheels (burn-outs) is strictly forbidden on the track with the exception of the Start Area. Breach of this rule will result in a penalty of disqualification.
 - 6.8 All competitors finishing an event must submit the machine for final examination if required. The organisers may retain that machine for a reasonable period to allow for that examination.
 - 6.9 Any competitor who in any ACU or MCRCB Permitted Event participates on a machine for which he is not eligible through age or licence restrictions will be penalized by a fine of £500.00 and a suspension for one year from the date of the hearing.

SECTION 7 SAFETY

7.1 MEDICAL SERVICES MINIMUM REQUIREMENTS FOR SPRINT MEETING

	PERSONNEL			VEHICLES		
	Doctors MO	Paramedic(s) PM	First Aid personnel	Ambulance(s)	Fast Intervention Vehicle	Special Notes
Sprint	1 MO or 1PM		2	1		

The following applies to all events run under this code,

1. **Medical Officer (MO) – Doctor** A medical practitioner (doctor) fully registered with the General Medical Council (GMC), and holding appropriate personal medical malpractice insurance cover (excludes NHS Crown Indemnity)
2. **Paramedic (PM)** A State Registered Paramedic with the HPC (Health Professions Council) Paramedics must have appropriate personal medical malpractice insurance cover.
3. **Ambulance** A vehicle registered as an ambulance with the DVLA (Driver and Vehicle Licencing Agency) or similar government licencing authority and complying with FIM minimum equipment regulations for a type C vehicle; that is:
 Medical: A stretcher (preferably standardised), oxygen supply, apparatus to immobilise limbs and vertebral column. First aid medicaments and materials.
 Technical: Radio communication. Visible and audible signals
 Staffing: An ambulance must be staffed by two First Aid Personnel (who can be the two minimum First Aid Personnel). An ambulance may act as a Medical Centre BUT if so it must be a vehicle in addition to the minimum ambulance requirement.
4. **First Aid Personnel** A person holding a current certificate of First Aid competency. (Where an event is open to the public event organisers should ensure that all First Aid personnel are insured against malpractice for the event concerned).

Special Notes

The minimum medical requirements specific for this discipline also apply to associated Test Days.

5. **Medical Examination** At any time during a meeting the Clerk of the Course may require a competitor to undergo a medical examination to determine his fitness to ride. The decision of the Medical Officer is a matter of fact without right of protest.

7.2 TRACK SAFETY PRECAUTIONS

1. The safety precautions of circuits will be as laid down for each Permanent Course Licence or Temporary Course Certificate following an inspection of the course.
2. It should be generally realised that the organisers of speed events have a legal responsibility to the general public and therefore it is the duty of these organisers to ensure that all reasonable precautions are taken to protect the public.
3. Whilst organising clubs are insured under the Promoters Third Party Policy in respect of their legal liability, it is a condition of the policy that the promoters of an event must comply strictly with the National Sporting Code and any additional requirements as may be specified by the Permanent Course Licence or Temporary Course Certificate.
Clubs failing to do so stand in grave danger of any claims being repudiated to the club by the insurers under the terms of the policy covering legal liability.
4. The safety precautions to be adopted are provided with the Permanent Course Licence or Temporary Course Certificate for the particular course but the following general requirements must be observed.
5. The attention of organisers is drawn to the provision of the NSC which stipulates that no alteration of the requirements contained in the Permanent Course Licence or Temporary Course Certificate shall be made without the prior approval, in writing, of the ACU.
6. It is recognised that circumstances may arise in which it is necessary to make certain alterations to the course on the day of the meeting but any such alterations must be approved by the Stewards of the Meeting and details given in their report to the authority granting the permit.

7.3 FIRE EXTINGUISHERS

Each working vehicle in the Paddock must have a 2 Kg (minimum) dry powder fire extinguisher available for immediate use. This extinguisher must show the date of the last annual inspection. Non-compliance with this regulation will incur a penalty imposed by the Clerk of the Course.

7.4 FIRE EXTINGUISHERS AT CIRCUITS

At all race and speed events, there must be a valid certificate, issued annually immediately prior to the start of each season's racing by the manufacturer or his agent, to the effect that all fire extinguishers are in effective working order. This certificate must be available for inspection by the Stewards.

All fire posts must be clearly marked. In addition to the fire equipment at each post there must be:

1. Fire extinguishers in the paddock and assembly area.
2. At least two fire extinguishers in the Technical Control Area.
3. Fire extinguishers in every medical room/centre.

7.5 WARNING AND PROHIBITION SIGNS AT CIRCUITS

For full details regarding Warning Notices and Prohibition Notices please refer to the Safety Precautions section of this Handbook.

1. WARNING NOTICES

The following requirements regarding the display of Warning notices are applicable to all Sprint events.

1. WARNING NOTICE (A) (29 × 20 inches). Warning notices as detailed below must be displayed on each side of every entrance to the course, including the entrance to car parks and paddock.

These notices must be prominently displayed where they can be easily read by the public before any admission charge is paid, or where no admission charge is made before entry is gained into the circuit.

Where it is not possible to define the limits of the site and to control admission of the public

(e.g. War Department and heath land) warning notices must be profusely displayed around the course and also in the car parks.

2. WARNING NOTICE (B) (20 × 15 inches). Those parts of the course to which the public may be admitted and where it is neither practical nor necessary to erect a barrier, e.g. those parts of the course which are straight and are only used by the public to reach other parts of the course, may be indicated by the erection of the special type of Warning Notice (B). These notices should be displayed at least 30ft. from the course. It is recommended that the limit of these areas should also be defined by a boundary tape.

2. PROHIBITION NOTICES

The following requirements regarding the display of Prohibition notices are applicable to all Sprint events.

PROHIBITED AREA NOTICE (C) (29 × 20 inches). Areas where the public are not permitted must be clearly defined by the display of an adequate number of "Prohibited Area" notices (B). Notices should be displayed within the prohibited area, facing the public.

7.6 DECLARATION – ADMISSION TICKETS, ARMBANDS AND PASSES

Subject to the provision of the Sunday Observance Act 1780, no person may be allowed to any part of the circuit without a suitable pass or ticket. All tickets and passes must bear the following wording shown below in full and if the wording appears on the reverse side then the words "For Conditions of Admission See Over" must be clearly printed on the face thereof. Where a ticket is cancelled by being torn in half, the full wording and, where applicable, the "For conditions of admission see over" must appear on each half. Where a charge is made for admission into special or "reserved" enclosures a ticket bearing the approved declaration must be issued in exchange for payment to enter these enclosures.

Declaration.

WARNING. MOTOR SPORT CAN BE DANGEROUS. Despite the organisers taking all reasonable precautions, unavoidable accidents can happen. Please comply with all instructions of marshals and notices and remain in permitted areas only. THEY ARE CONCERNED WITH YOUR SAFETY. All vehicle passes must bear the same wording and comply with the above requirements.

7.7 DECLARATION ON THE OFFICIAL PROGRAMME

The declaration as outlined above should be printed in full on the outside front cover of all Official Programmes. Where this is not possible it must be printed in full in the programme and the words "For conditions of admission see inside" printed on the outside cover.

7.8 SIGNING ON

All riders, passengers, officials and assistants, press and team crew must sign a declaration on the relevant signing on form (available from the ACU).

1. Age Limits for Officials
 - All event Executive and Administrative Officials shall be 18 years of age or over.
2. Age Limits for Marshals
 1. All Assistant Officials whose function is to be carried out at the immediate track-side must be at least 16 years of age.
 2. All Assistant Officials who are under 18 years of age must have obtained parental agreement to carry out the duty and the signing-on signature must be countersigned by the person responsible for the official at the event.
 3. When using the services of officials under 18 years of age for any duties at any event special attention must be given to any risks which may be associated with the duty, and to the previous experience of the official.

SECTION 8 TECHNICAL SPECIFICATIONS

Specification of motorcycle Motorcycles must be of Solo Category I, Group A1 or Category II, Group F, Sidecars, Category I, Group B1 or B2 or Category II Group F, Three Wheelers, Category I, Group B3 or Category II, Group F.

8.1 DRIVE

The drive to the machine shall be only through the road wheel or wheels.

8.2 BRAKES

1. Solo Motorcycles must be equipped with one efficient brake operating on each wheel, and operated independently.
2. Motorcycles in Group B1, B2 and B3 must be equipped with at least two brakes operating independently, on at least two of the road wheels, each giving complete control.

8.3 SIZE OF TYRES

There is no restriction on the type or size of tyres that may be used, except that the cross section must not be less than 50mm.

8.4 CLUTCH AND BRAKE LEVERS

Clutch and brake levers must be ball ended, the diameter of the ball being not less than 16mm and either an integral part of the lever or a permanent fixture.

8.5 PRIMARY AND AUXILIARY DEVICES

Adequate guards must be fitted to prevent the drives being accidentally touched at any part of the run not in contact with the sprockets.

8.6 THROTTLE

All machines must be fitted with self-closing throttles.

8.7 MUDGUARDS

Mudguards are not compulsory.

8.8 EXHAUST PIPES

The end of the exhaust pipe or pipes may not project beyond any part of the vehicle or its bodywork.

8.9 DISCHARGES

Any provision for the discharge of waste or surplus oil must be so made that it does not inconvenience a following driver.

8.10 SUPERCHARGERS

The use of superchargers is permitted on machines up to 2000cc.

8.11 HANDLEBARS

The minimum angle of rotation of the handlebars, each side of the centre line or mid-position must be 20 degrees. Whatever the position of the handle-bars, it must not be possible for the front wheel to make contact with any streamlining (see also Reg. No 15). It is compulsory to fit a stop or stops or other device to ensure a minimum clearance of 30mm between the handlebars and tank when on full lock to prevent the trapping of the riders fingers.

8.12 FOOTRESTS

1. The footrests for the rider must be positioned to give easy access to any control pedal.

2. The ends of the footrests must be rounded with a radius of not less than 8mm diameter.

8.13 STREAMLINING

1. Unless otherwise stated in the Supplementary Regulations, there is no restriction on the type of streamlining of a motorcycle except that there must be a clearance of at least 50mm between the streamlining and the extremities of the handlebars or other form of steering device, including any attachments thereto, whatever the position of the handlebars (see also Reg. No 8.11).
2. Should the streamlining totally enclose the rider and/or passenger, a firewall must be installed between the engine and the rider and passenger and, in addition, a substantial roll bar must be securely fitted.
3. Any streamlining must be approved by the Technical Official and, unless so approved, the motorcycle must not be driven in any event or in practice thereof.

8.14 FUEL

1. Unless otherwise stated in the Supplementary Regulations, there shall be no restrictions as to the type of fuel that may be used.
2. All machines of any capacity running on any percentage of Nitro Methane must have a positive fuel cut off that can be activated from the handlebars without the rider having to remove a hand from the handlebars and to display a red triangle on the front of the machine to indicate to the technical officials the machine is running on Nitro.
3. For Junior Classes only unleaded petrol may be used. Nitrous oxide injection, power and octane boosters are prohibited.

8.15 NUMBER PLATES

1. Whenever number plates are required to be carried at an event they will be three in number and must comply with the following requirements.
2. They must be made of rigid material and solidly constructed, rectangular in shape, measuring a minimum of 235mm x 285mm in size with 50mm radius rounded corners.
3. The plates must be flat or slightly curved (not more than one inch from the true plane) and must not be otherwise bent or obscured in any way.
4. One plate must be carried facing forward and not more than 25 degrees from the vertical and others must be facing outwards and vertical, one on each side of the machine.
5. The minimum dimension of the figures must be: height 140mm, width of stroke 25mm, and the space between any two figures 25mm.
6. They must be so fixed that they are clearly visible and not obscured by any part of the machine or by the rider when he is in the riding position.
7. In place of detachable plates similar areas may be painted on the body of the machine or on the streamlining.
8. Any other number plate or any marking on the motorcycle that might be confused with a number plate must be removed before the rider is allowed to start.

Note: The above regulations, 8.15, 1–8 are advisory for 2008 and will be mandatory for 2009 onwards.

9. The following colours shall be used and they must be Matt colours following the RAL Colour table:

Black	9005,	Blue	5010,	Yellow	1003,	Orange	2007,
Red	3020,	Green	6002,	White	9010		

The front and side number plates for each class of motorcycles are:

Class	Background	Numbers
F125cc	Red background	White numbers
125cc	Black background	White numbers
250cc	Green background	White numbers
350cc	Blue background	White numbers
500cc	Yellow background	Black numbers
Over 500cc	White background	Black numbers
Supersport 400	Blue background	White numbers
Formula 400	Blue background	White numbers
Supersport 600	White background	Blue numbers
Formula 600	White background	Blue numbers
Supermono	Black background	Yellow numbers
Stocksport	Red background	White numbers
FII Sidecars	Red background	White numbers
Open Sidecars (Three wheelers)	White background	Black numbers

Any additional colours for particular events will be detailed in the Supplementary Regulations.

8.16 CONTROL OF EXHAUST SOUND LEVEL

1. The Clerk of the Course may disqualify any machine which exceeds the maximum permitted sound level, or which in his opinion is deemed to be excessively noisy.
2. The sound level of a sprint machine is controlled according to the FIM method. Machines must comply with the Supplementary Regulations for the meeting.

8.17 CONSTRUCTION

1. For wheel spindles the use of light alloys is forbidden.
2. The use of titanium alloy nuts and bolts is allowed. But a dimension increase may be necessary when ferrous fasteners are replaced by non-ferrous fasteners.

8.18 SPECIFICATIONS FOR SOLO MACHINES

(1300cc and over). All motorcycles in or over 1300cc (Category) must comply with the following:

1. A positive on-off ignition cut-out switch must be fitted in an accessible position on the handlebar so as to be operated by a rider or marshal in an emergency.
2. All fuel lines from the main supply tanks must be fitted with easily accessible on and off control taps.
3. A final drive steel guard with a minimum thickness of 1.5mm steel or 3mm alloy gauge must be fitted to enclose the top run if a chain is used. If drive shafts are employed, restraining steel rings must encircle the shafts, one at each end.
4. A clutch guard of sufficient strength must be fitted to protect the rider and/or passenger in the event of clutch parts breaking up. If of cruciform shape, to be made of minimum 38mm wide 3mm steel. If a complete covering, minimum 1.5mm wall thickness.
5. All frames must be entirely self-supporting and stable in the event of one or more of the engines disintegrating.
6. The front steering assembly must have a minimum trail of 100mm and be of sufficient strength to obviate any likelihood of collapse during acceleration or under braking conditions. Flimsy forks or frames are not permitted.
7. For Junior Classes superchargers and turbochargers are not permitted. For Junior Classes standard rebore are permitted to a maximum increase in engine capacity of 3cc.

8.19 ADDITIONAL SPECIFICATIONS FOR THREE-WHEELERS

1. All fully enclosed streamlined three-wheelers must carry a timing strut mounted on the most forward part of the vehicle to activate timing devices in events where timing is activated by a light beam.
2. Where fitted the vertical strut must be opaque and non-reflecting and a height of 25.4cm by a depth of 5cm between 20cm and 46cm from the ground.
3. A passenger or ballast must be carried in addition to the rider. If a passenger is replaced by ballast this must weigh not less than 132lb and must be securely affixed under the supervision of a Technical Official. Where a passenger is carried, the passenger must always be completely protected from the road wheels and drive (both primary and final) either by mud guarding or some other means.

SECTION 9 RUN WHAT YOU BRUNG SPRINT & HILL CLIMB EVENTS

The National Sporting Code of the ACU, these Standing Regulations and the Disciplinary Section of the Road Race Standing Regulations shall apply to all Sprint and Hill Climb "Run what you Brung" events within a Sprint or Hill Climb Meeting together with the Supplementary Regulations and any final instructions.

9.1 DEFINITION

A race at a Sprint or Hill Climb meeting for Competitors competing on motorcycles registered and licenced for use on the Public Highway.

9.2 ELIGIBILITY

Open to competitors who are holders of a full DVLA motorcycle licence and who hold an ACU Competition Licence or ACU One Event Licence.

9.3 MACHINE ELIGIBILITY

Any motorcycle registered and licenced for use on the Public Highway. A current MOT certificate, if required, must be produced at technical control inspection. The machine must be in road legal condition to be eligible to take part in this type of event.

9.4 TECHNICAL CONTROL

The machine must be free from all obvious fluid leaks. A number issued by the organisers must be displayed on the machine, to enable identification. All lights and indicators must be taped over. All stands must be wired or taped up.

SECTION 10 PROTECTIVE CLOTHING

10.1 PROTECTIVE CLOTHING

1. Bulky hard objects such as tools etc. are NOT to be carried in pockets or on the person.
2. During practice and racing, riders and passengers must wear the following clothing and footwear:
3. Competitors must wear a complete leather suit of at least 1.2mm in thickness (on all parts of the suit), two piece suits that zip together at the waist are acceptable. Each part of the zip should be securely attached to the jacket or the trousers respectively and the suit must zip together over at least 75% of the waist band. Non-leather material may be used if it meets with the requirements laid down by ACU Road Racing Standing Regulations.
4. Competitors footwear must be of leather (i.e. outer hide) or an approved substitute material and of a minimum height of 200mm to provide, with the suit, complete protection i.e. no exposed areas.
5. Competitors must wear leather (or an approved substitute material) protective gloves.

10.2 BODY JEWELLERY

It is recommended that any body piercing studs, ring etc. are removed.

10.3 HELMETS

Helmets bearing the current ACU gold stamp and in sound condition and properly fitted must be worn by all riders and passengers while practicing and racing. Overseas riders may use helmets as approved by their own FMN.

SECTION 11 ACU SPRINT CHAMPIONSHIP QUALIFYING ROUNDS (TO BE ANNOUNCED)

11.1 TITLE

The main title of each round shall be the ACU Sprint Championship 'X' Round – this to appear on all documentation. The title may however be abbreviated at the discretion of the ACU in the case of the use of associated advertising material, where it would be impracticable to use the full title.

11.2 ELIGIBILITY

1. Open only to holders of a current ACU, Scottish ACU or MCUI competition licence for sprinting.
2. All Championship rounds shall be run under Restricted Permits.
3. For all ACU Championships an ACU decal will be displayed on the front number plate. The decal to be supplied by the organiser. Any Competitor failing to display such a decal shall forfeit the right to any prize money or Championship points. This will be treated as a matter of fact.

11.3 CLASSES

Capacity	From – To
Racing Solo Motorcycles	
50cc	up to 50cc
125cc	51cc to 125cc
250cc	126cc to 250cc
400cc	251cc to 400cc
500cc	401cc to 500cc
750cc	501cc to 750cc
1000cc	751cc to 1000cc
2000cc	1001cc to 2000cc
Ov. 2000cc.	Ov.2000cc (normally aspirated)
Vintage Solo M/C	Built before 1/1/59
Scooters – Category A2	Up to 250cc
Road Legal Solo Motorcycles	
	up to 250cc
251cc	up to 400cc
401cc	up to 750cc
751cc	up to 1000cc
1001cc	And above
Racing Sidecars & Three Wheelers – Category B	
500cc	up to 500cc
1000cc	501cc to 1000cc
2000cc	1001cc to 2000cc
3500cc	2001cc to 3500cc

11.4 POINTS

Points will be awarded in all rounds on the basis of the finishing places in each class.

10 points 1st place 9 points 2nd 8 points 3rd place 7 points 4th place

3 extra points will be awarded to a competitor for breaking a class record. Points cannot be scored in Racing and Road Legal Classes on the same machine. No points will be awarded for establishing a class record.

11.5 OVERALL CLASSIFICATION

At the conclusion of the Championship the points for each riders best six performances from the nine rounds will be added together, and the rider with the highest number of points in any one class will be declared the winner.

11.6 TIES

Ties will be decided as follows:

1. By the rider gaining the highest number of wins from the six meetings counting for the riders total.
2. By the highest number of class records broken.
3. By the greatest number of first and second places in all qualifying events.
4. In the event of a continuing tie, the decision will be taken on the basis of the extent to which class records have been broken.

11.7 RESULTS RETURN METHOD

1. Immediately after each meeting organisers should send a copy of the result sheets to the Series Coordinator – Mr. C. Butterworth, Slack Booth House, Hollin Hall, Trawden, Colne, Lancs BB8 8SS. Tel: 07709 429315
2. The Series Coordinator will assess the results, and will send them immediately of the final round to the ACU for ratification. The Results form will be completed by him in the following manner:
 1. Heading: the number of the round, the venue and the date.
 2. Name: riders name.
 3. Number: Racing number allocated by round organiser.
 4. Record Time: If a new track class record has been established the time will be entered, otherwise a line will be drawn through the box.
 5. Class: Each riders capacity class will be shown with "Racing" or "Prod" as appropriate.
 6. Position: Results for each rider will be entered as follows:
10 points 1st place 9 points 2nd place 8 points 3rd place 7 point 4th place
3 extra points for breaking a class record

SECTION 12 RECORD ATTEMPTS

1. An application for a National Attempt meeting must be lodged with the ACU at least one month (International 3 months) before the attempt, together with the names of the appointed Timekeeper and Measurer.
2. Applications for a permit to attempt records by a rider must be received at the ACU offices not less than 28 days before the published day of the event.
3. Regulations governing attempts at British National Records and Elvington' Production Records are obtainable from the ACU Headquarters together with a list of current Records. Price £5.00 available from the ACU Road Race Department.

Pocket Bike

SECTION 1 GENERAL

1.1	Eligibility	393
-----	-------------	-----

SECTION 2 MACHINES

2.1	Categories	393
-----	------------	-----

SECTION 3 CLOTHING

3.1	Protective Clothing	394
3.2	Jewellery	394
3.3	Helmets	394
3.4	Identification discs	394

SECTION 4 SPECIFICATIONS

4.1	Solo Basic Dimensions in mm	394
4.2	Carburettors	394
4.3	Spark Plugs	394
4.4	Fuel	395
4.5	Kill Switch	395
4.6	Coolant	395
4.7	Wheels	395
4.8	Tyres	395
4.9	Brakes	395
4.10	Transmission	395
4.11	Exhaust	395
4.12	Noise Control	395
4.13	Bodywork	395
4.14	Number Plates	395
4.15	Sidecar Specification	395
4.16	Engines	396
4.17	Engine Position	396
4.18	Oil and Coolant Containment	396
4.19	Kill Switch	396
4.20	Air Intakes	396
4.21	Carburettors	397
4.22	Wheels	397
4.23	Sidecar Wheel	397
4.24	Tyres	397
4.25	Brake	397
4.26	Fuel	397
4.27	Coolant	397
4.28	Number Plates	397

SECTION 5 MEDICAL SERVICES

5.1	Medical Services. Minimum requirements for Pocket Bike Meetings	397
-----	---	-----

The National Sporting Code of the ACU and these Standing Regulations shall apply to all Pocket Bike Meetings, together with the Supplementary Regulations and any final instructions.

Definition A sport where miniature motorcycles or sidecars with a rigid frame and propelled by an internal combustion engine. They compete in massed start races around a specially designed metalled road circuit.

SECTION 1 GENERAL

1.1 ELIGIBILITY

- Race Circuits** These can be either permanent or temporary courses. The Circuit must hold a current Track Licence for racing issued by the Auto Cycle Union. The course should ideally have a minimum length of 250m. The minimum width must be 3m.
- Competitors** All competitors must hold a current competition licence for Road Racing or Pocket Bike Racing issued by the Auto Cycle Union.
- Categories**

Class	Age limits	Rider's Weight
Junior A	6-9 years	
Junior B	10-12 years	Weight limit 39.9kg minimum
Junior C	10-12 years	Weight limit 40kg maximum
Junior Production	10-12 years	
Production Superlight	12 years minimum	Weight limit 59.9kg minimum
Production Lights	12 years minimum	Weight limit 60kg minimum 74.9kg maximum
Production Heavies	12 years minimum	Weight limit 75kg minimum
Senior A	13 years and over	Weight limit 61.9kg maximum
Senior B	13 years and over	Weight limit 62kg minimum
Senior Midi *	13 years and over	No limits
Super	12-16 years	No limits
Super	16 years and over	Weight limit 60kg minimum
Junior Sidecar Drivers	12-16 years	
Junior Sidecar Passengers	12 years and over	
F2 Sidecars Drivers	16 years and over	
F1 Sidecars Drivers	16 years and over	
Sidecar Passengers	13 years and over	

All riders must be weighed with minimum clothing.

SECTION 2 MACHINES

2.1 CATEGORIES

- Junior A B & C Single gear. Single cylinder engine maximum 40cc (two stroke), 80cc (four stroke), air cooled. Mini bikes only
- Senior Class, 4.2 Mini or Midi Bikes. Single Gear. Single cylinder engine maximum 40cc (two Lights, Superlights, stroke), 80cc (four stroke), air cooled.
- Heavies. All Production Any homologated production based engine, three ports 6.2hp. All internal surfaces must remain as factory finish. No machining of internal surfaces. Subject to a minimum production volume of 200 units per year worldwide. Mini or Midi bikes allowed.
- Super Single gear. Single cylinder five port engine maximum 50cc (two stroke), 80cc (four stroke), air cooled or water cooled. No engine restrictions. Mini or Midi bikes.

SECTION 3 CLOTHING

All competitors must wear protective clothing as described in the Road Race Technical Regulations.

3.1 PROTECTIVE CLOTHING

Two piece leather suits zipped together at the waist are permitted. Proprietary Pocket Bike clothing is acceptable, but must include back and knee protectors.

3.2 JEWELLERY

It is recommended that all body piercing, studs, rings etc. are removed.

Competitors are advised not to wear hand, face or body jewellery/piercings which could prove hazardous in the event of an accident. The mouth should be kept clear of anything likely to cause a blockage of the airway in the event of an incident, e.g. chewing gum. This includes removing dentures.

3.3 HELMETS

All competitors must wear a helmet as described in Road Race Technical Regulations.

3.4 IDENTIFICATION DISCS

While practising and racing riders and passengers are required to wear an identification disc around the neck, attached by a material approved by the technical official. Thin chains should be avoided. The disc must be permanently marked with the wearer's full name and date of birth.

Identification discs shall be of durable material, circular in shape, between 20mm and 25mm in diameter and having rounded edges with no sharp or ragged projections.

SECTION 4 SPECIFICATIONS

4.1 SOLO BASIC DIMENSIONS IN MM

	Minibikes	Midibikes	
		min	max
Wheelbase	620 max	675	730
Length	900 max	968	1060
Height of Saddle	385 max	425	460
Footrests	Non-folding	Non-folding	
Total Height	540 max	620	

Minimum length of Footpegs* 60 min

Foot pegs must be plastic or rubber covered and round tipped.

A tolerance of +/- 5% is allowed

All solo machines must have dry centrifugal clutch keyed into the crank shaft. The engine for solo machines must have a recoil cord pull starting device.

4.2 CARBURETTORS

- 1 Junior Classes Standard carburetors with the engine restrictor in place over a length of 3mm between the cylinder and exhaust. The main jet may be modified.
- 2 Production Classes Standard SHA 14/14L Dellorto with any jet. This may be mounted on a rubber manifold.
- 3 Senior and Super Classes No restrictions

4.3 SPARK PLUGS

No restrictions

4.4 FUEL

Only unleaded fuel, that can be obtained from a roadside Petrol Station can be used.

4.5 KILL SWITCH

A kill switch must be located on the handlebars adjacent to the headstock.

4.6 COOLANT

Water is the only coolant permitted in water cooled engines.

4.7 WHEELS

Any make of wheel is permitted. Diameter of wheel and tyre 280mm maximum. The width of the wheels is 110mm maximum.

4.8 TYRES

Any make of tyre, slick or treaded, is permitted. The maximum diameter of tyre is 280mm.

4.9 BRAKES

Cable operated disc brakes are required on either wheel.

4.10 TRANSMISSION

By chain with any ratios. A chain guard must be fitted in such a way as to prevent trapping between the lower chain run and the final driven sprocket at the rear wheel.

4.11 EXHAUST

- 1 For all 4.2 type engines the down pipe will be a cylindrical shape with a minimum length of 280mm from the flange (maximum 4mm thick) to the expansion box with an external diameter of 25mm (+maximum 1.0mm tolerance) made of sheet metal with a thickness of between 1.0mm and 2.0mm.
- 2 The regulated exhaust pipe must have standard ribbing which may only be removed at the point at which it would come into contact with the frame or other parts.
- 3 A cut may be made in the exhaust pipe to aid assembly but the manufacturer must prove the need.

4.12 NOISE CONTROL

The maximum permitted noise is 97db/a (post race inspection tolerance 2dba) The noise control is measured at an engine speed of 8,000rpm. The end of the exhaust must not project beyond the back end of the tailpiece.

4.13 BODYWORK

Fairing and streamlining are permitted. Covering of the headstock is compulsory.

4.14 NUMBER PLATES

- 1 Front numbers are compulsory and must be 70mm high. They must be of a contrasting colour to the number plate (e.g. white numbers on a black plate).
- 2 Side number plates are optional.
- 3 The font for all numbers must be in accordance with the ACU Road Race Standing Regulations.

4.15 SIDECAR SPECIFICATION

- 1 A passenger must be carried and must always be protected from the road wheels and both primary and final drive trains.

- 2 Construction The chassis must be constructed of quality steel tube or box section with a maximum diameter of 50mm.
- 3 Basic Dimensions

Length	1380mm Maximum including bodywork
Width	1020mm Maximum including bodywork
Height	560mm Maximum including bodywork
Wheelbase	1040mm Maximum
Track	690mm Maximum (Measured as the distance between the centre of the track left by the rear wheel to the centre of the track left by the sidecar wheel. A tolerance of +/- 5% is allowed.)

4.16 ENGINES

- 1 Junior Sidecars Maximum 6 gears. Honda GXQ4 200cc 4 stroke engine. No tuning is permitted other than polishing internal parts.
- 2 F2 Sidecar Maximum 6 gears. Single cylinder engine maximum 80cc (two stroke), 125cc (four stroke) derived from road motorcycles. Tuning permitted to any engine to a maximum rating of 15hp.
- 3 F1 Sidecars Maximum 6 gears.
- 4 Single cylinder engine maximum 80cc (two stroke), 200cc (four stroke) derived from Moto X/ Enduro motorcycles.
- 5 For four stroke engines tuning is permitted to a maximum rating of 26hp. Two stroke engines must remain as standard including the ignition, carburettor and exhaust.

4.17 ENGINE POSITION

The engine must be positioned between the front and rear spindles. The drive must be transmitted through the rear wheel.

4.18 OIL AND COOLANT CONTAINMENT

- 1 In the area directly below the engine, the oil containment tray must be constructed to hold, in case of an engine breakdown, at least half of the total oil and engine coolant capacity used in the engine (minimum 5 litres).
- 2 The surrounding edges of the tray must be at least 50mm above the bottom of the tray. This tray should incorporate a maximum of two holes of 25mm in diameter and be closed with rubber plugs.
- 3 These holes must remain closed in dry conditions and only opened when wet race conditions have been declared by the Clerk of the Course.
- 4 Four stroke machines must use this tray
- 5 Oil lines containing positive pressure must, if replaced, be of a metal construction, with swaged or threaded connectors.
- 6 Oil coolers must not be mounted on or above the body of the sidecar.
- 7 The location of the oil tank and oil cooler should not be placed in a location where it is likely to be damaged in an accident.
- 8 Where an oil breather pipe is fitted the outlet must discharge into a catch tank in an easily accessible position which must be emptied before the start of the meeting, minimum capacity 500ml.

4.19 KILL SWITCH

A kill switch must be located on the handlebars adjacent to the headstock.

4.20 AIR INTAKES

Air or cooling ducts must not project outside the maximum length or width.

4.21 CARBURETTORS

No restrictions.

4.22 WHEELS

All wheels must be of metal construction with a maximum diameter of 127mm.

4.23 SIDECAR WHEEL

This must be offset to the left with the axle forward of the rear wheel. The sidecar wheel must be enclosed from the sidecar platform and level with the platform on the outside and right round the periphery. A cut out to check the tyres is permitted.

4.24 TYRES

Any make of tyre, slick or treaded, is permitted. Kart tyres are permitted.

4.25 BRAKE

Both road wheels must have effective brakes, one of which must be of the hydraulic type. A brake on the sidecar wheel is optional.

4.26 FUEL

Only unleaded fuel, that can be obtained from a roadside Petrol Station can be used.

4.27 COOLANT

Water is the only coolant permitted in water cooled engines.

4.28 NUMBER PLATES

Front numbers are compulsory and must be 70mm high. They must be of a contrasting colour to the number plate (e.g. white numbers on a black plate).

The font for all numbers must be in accordance with the ACU Road Race Standing Regulations.

SECTION 5 MEDICAL SERVICES

5.1 MEDICAL SERVICES. MINIMUM REQUIREMENTS FOR POCKET BIKE MEETINGS

	PERSONNEL			VEHICLES		
	Doctors MO	Paramedic(s) PM	First Aid personnel	Ambulance(s)	Fast Intervention Vehicle	Special Notes
Pocket Bikes	1	2	1	1	(ii)	

- Medical Officer (MO) – DOCTOR** A medical practitioner (doctor) fully registered with the General Medical Council (GMC), and holding appropriate personal medical malpractice insurance cover (excludes NHS Crown Indemnity).
- Ambulance** A vehicle registered as an ambulance with the DVLA (Driver and Vehicle Licencing Agency) or similar government licencing authority and complying with FIM minimum equipment regulations for a type C vehicle; that is:
 Medical: A stretcher (preferably standardised), oxygen supply, apparatus to immobilise limbs and vertebral column. First aid medicaments and materials.
 Technical: Radio communication. Visible and audible signals.
 Staffing: An ambulance must be staffed by 2 First Aid Personnel (who can be the two minimum First Aid).

An ambulance may act as a Medical Centre BUT if so it must be a vehicle additional to the minimum ambulance requirement.

- 3 **First Aid Personnel** A person holding a current certificate of First Aid competency. (Where an event is open to the public event organisers should ensure that all First Aid personnel are insured against malpractice for the event concerned).

Special Notes

The minimum medical requirements specific for this discipline also apply to associated Test Days.

Scooter

SECTION 1 MEETINGS	400
SECTION 2 LICENCE – COMPETITORS	401
SECTION 3 LICENCES AND REGISTRATIONS – OFFICIALS	402
SECTION 4 PRACTICE	404
SECTION 5 GRID POSITIONS	404
SECTION 6 START PROCEDURES	404
SECTION 7 FLAGS AND LIGHTS	406
SECTION 8 BEHAVIOUR DURING PRACTICE AND RACE	408
SECTION 9 NEUTRALISATION OF RACES – SAFETY CAR	410
SECTION 10 INTERRUPTION OF A RACE	411
SECTION 11 RE-STARTING A RACE THAT HAS BEEN INTERRUPTED	412
SECTION 12 FINISH OF A RACE AND RACE RESULTS	412
SECTION 13 SAFETY	413
SECTION 14 GENERAL TECHNICAL SPECIFICATIONS	416
SECTION 15 TECHNICAL SPECIFICATIONS FOR SOLO MOTORSCOOTERS	417
SECTION 16 TECHNICAL SPECIFICATIONS FOR “AUTOMATIC” SOLO MOTORSCOOTERS	424
SECTION 17 TECHNICAL REGULATIONS FOR PRODUCTION CLASS SOLO MOTORSCOOTERS	427
SECTION 18 TECHNICAL SPECIFICATIONS FOR STREET CLASS SOLO MOTORSCOOTERS	428
SECTION 19 TECHNICAL SPECIFICATIONS FOR MOTORSCOOTER COMBINATIONS (GROUP 7)	429
SECTION 20 TECHNICAL SPECIFICATIONS FOR FORMULA 125 MOTORSCOOTER COMBINATIONS	434
SECTION 21 TECHNICAL SPECIFICATIONS FOR CLASSIC (GROUP 8) MOTORSCOOTER COMBINATIONS	437

The National Sporting Code of the ACU and these Standing Regulations shall apply to all Scooter meetings, together with the Supplementary Regulations and any final instructions.

Note: please refer to the ACU website for any changes to these scooter standing regulations for 2010.

SECTION 1 MEETINGS

1.1 CATEGORIES OF MEETINGS

- International Meetings
- European Open Meetings
- National Meetings
- Open Meetings
- Restricted Meetings

Permits for all Road Race competitions are issued by ACU Headquarters

1.2 INTERNATIONAL

- 1 The Permit shall be issued by the ACU Headquarters for a meeting inscribed on the International Calendar of the FIM and having an FIM International Meeting Number (IMN).
- 2 An International meeting is open to Entrants and Riders of more than one nation who must hold an International Licence or a National Licence issued by the ACU valid for the particular meeting concerned.
- 3 All riders not holding a Licence issued by the ACU or SACU must carry proof of Insurance and a written Start Permission document issued by their FMN.

Note: This includes all riders holding a licence issued by the MCUI.

1.3 EUROPEAN OPEN

- 1 The permit shall be issued by ACU Headquarters for a meeting inscribed on the Calendar of the Union of European Motorcycling (UEM) and having a European Meeting Number (EMN).
- 2 A European Open meeting is open to Entrants and Riders of more than one European nation who must hold the appropriate Competition Licence valid for the particular meeting concerned.
- 3 All riders not holding a Licence issued by the ACU or SACU must carry proof of Insurance and a written Start Permission document issued by their FMN.

Note: This includes all riders holding a licence issued by the MCUI.

1.4 NATIONAL

- 1 The Permit shall be issued by the ACU Headquarters.
- 2 A National meeting is open to Entrants and Riders who are the holders of a National or International Licence valid for the particular meeting concerned issued by any Federation.
- 3 All riders not holding a Licence issued by the ACU or SACU must carry proof of Insurance and a written Start Permission document issued by their FMN.

Note: This includes all riders holding a licence issued by the MCUI.

1.5 OPEN

- 1 An Open permit is issued by ACU Headquarters.
- 2 An Open meeting is open to Entrants and Riders who hold a valid ACU or SACU Licence for the meeting concerned.

1.6 RESTRICTED

- 1 A Restricted Permit is issued by ACU Headquarters.
- 2 A Restricted meeting is open to Entrants and Riders who hold a current ACU or SACU Licence valid for the meeting concerned.

- 3 The Supplementary Regulations issued for the event must specify all restrictions and requirements of eligibility.

1.7 ELIGIBILITY OF FOREIGN RIDERS IN OPEN AND RESTRICTED MEETINGS

- 1 The Supplementary Regulations issued for the event must specify the licence qualification and eligibility requirements of foreign riders.
- 2 All riders must have a current Licence and Start Permission from their own Federation valid for the event.

1.8 PRACTICE MEETINGS AND TEST DAYS

- 1 Permits for Practice Meetings and Test Days may be issued on application to the Permit Issuing Authority.
- 2 No such event may be held unless the appropriate Permit and Insurance has been issued.

1.9 CONDITIONS FOR ROAD RACE MEETINGS

- 1 The ACU Road Race Committee must approve the Organiser.
- 2 The Venue must hold a current Track Licence or Track Certificate issued by the ACU Road Race Committee.
- 3 The ACU Secretariat must approve the Supplementary Regulations for the event and issue an ACU Permit prior to publication and circulation.
- 4 For all ACU Championships an ACU decal, supplied by the ACU Secretariat, must be displayed on the front number plate of each machine. Any rider not complying will be disqualified from the results of the race.

SECTION 2 LICENCE – COMPETITORS

2.1 GENERAL

- 1 To participate in Scooter Road Race events an annual Licence issued by the ACU is required. Residents in Scotland apply to the Scottish ACU.
- 2 First time applicants are required to demonstrate an ability to control a motorcycle and complete the ACU pre-licence training course.
- 3 A Licence can be upgraded at any time during the year.
- 4 The parent or legal guardian must accompany all competitors, or participants in parades, under 18 years of age to every meeting. This person must attend at signing-on and be present throughout the meeting.

2.2 GRADES

- 1 **Clubman** Entry level for all first-time Scooter Road Race Applicants.
- 2 **National** Clubman Competitors may apply to be upgraded to a National licence after competing at 10 separate race days at 3 different venues during the current year and preceding 2 years. The competitor record card together with copies of the official result sheets pertaining to the signatures on the record card should be submitted to the ACU Road Race Department. Only one signature per day of competition is permitted
National Licence holders may apply for Start Permission to compete abroad.

2.3 LAPSED LICENCES

Licence holders who have allowed their licence to lapse for more than 3 years will be required to complete the ACU pre-licence training course, after which a Clubman licence may be issued.

2.4 CAPACITY AND LICENCE RESTRICTIONS

Up to 125cc Production automatic scooter 11yrs Clubman Licence

Up to 125cc Production based scooter	12yrs	Clubman Licence
Unrestricted Scooter	14yrs	National Licence
Unrestricted Scooter	15yrs	Clubman Licence

SECTION 3 LICENCES AND REGISTRATIONS – OFFICIALS

3.1 QUALIFICATIONS AND CONDITIONS

Road Race Officials are divided into two categories: Those that are Licensed and those that are Registered.

Licences: Senior Road Race Officials are required to hold an ACU Licence of the appropriate Grade for the performance of their duties.

Registration: A Register is maintained of Officials not required to hold a Licence.

3.2 ROAD RACE OFFICIALS WHO REQUIRE A LICENCE

All the following licences are valid for 3 years

	See Note Below	Attendance at Seminar/Training Session
Clerk of the Course	1	Every third year maximum
Chief Steward	2	Every third year maximum
Chief Technical Officer	3	Every third year maximum
Sound Inspector		Required for First Issue only
Measurer	4	Required for First Issue only
Timekeeper	5	Equipment and operators check

Clubs and Centres shall only nominate candidates whose aptitude and integrity for the position they can fully justify. Official ACU approval and the issue of a Licence is only after the candidates have proved to be competent according to the special requirements for each discipline. The respective Committees and Panels organize Seminars that are compulsory for certain Officials.

3.3 GRADES FOR CLERK OF THE COURSE

- Probationary** Any club may nominate a Probationary Clerk of the Course. Such a Registered Official may act as an Assistant to a National C Clerk of the Course at a Closed to Club event. To upgrade from Probationary to National C a registered official must act as an Assistant at 10 meetings and be recommended by the Clerk of the Course and must be nominated by a club for a specific future event.
- National Grade C** A Clerk of the Course who may officiate at a Closed to Club event where the use of slick tyres has NOT been authorised. May act as Deputy or Assistant Clerk of the Course at National Restricted events and Closed to Club events where slick tyres have been authorised. To upgrade from National C to National B a licence holder must officiate as Clerk of the Course at 5 Closed to Club events. He must also officiate as a Deputy to a National B Clerk of the Course at 5 events and be recommended by the Clerk of the Course at each. In addition members of the Road Race, Drag and Sprint Committee may be appointed to observe him. A Club must nominate him as being required to take charge of a specific future event.
- National Grade B** A Clerk of the Course who may officiate at a National Restricted event or a Closed to Club event where slick tyres HAVE been authorised. May officiate as Deputy to a National Grade A. To upgrade from National B to National A a Licence holder must officiate as a National B Clerk of the Course at 5 events. He must act as Deputy to a National A Clerk of the Course at 5 events and be recommended by the Clerk of the Course at each. In addition members of the Road Race, Drag and Sprint Committee may be appointed to observe him. A club must nominate him as being required to take charge of a specific future event

4 **National Grade A** A Clerk of the Course who may officiate at any event held under an ACU Permit. May officiate as Deputy or Assistant at FIM (Non Championship) event.

Note 1 Clerk of the Course

Age Limits: Regardless of age or type of licence held Clerks of the Course of all grades may not officiate beyond the end of the season in which they attain their 70th birthday.

Note 2 Chief Steward

Grades: There is only one grade of Steward’s Licence for all Road Race disciplines.

Age Limits: Stewards may not normally officiate beyond the end of the season in which they attain their 70th birthday. The Road Race, Drag and Sprint Committee will review Stewards who reach the age of 70 for appointments on an annual basis.

Note 3 Chief Technical Officer

The Chief Technical Officer will be licensed by the Technical Panel to be in charge of the Technical Control at an event. The Technical Panel may restrict the disciplines of licence holders.

Note 4 Measurer

The Measurer is required for ACU National Championships and National events. The Licence is issued by the Technical Panel and may be restricted by discipline.

Note 5 Timekeepers

Will be required to pay for their Licence.

Licence Fees: All licences (exception Timekeepers licences) will be issued, free of charge, for a period of three years. No fee will be charged for attendance at Seminars organised by the Road Race Drag and Sprint Committee or the relevant Panel with the exception of FIM Seminars.

3.4 ROAD RACE OFFICIALS WHO DO NOT REQUIRE A LICENCE

	See Note Below	Attendance at Seminar/Training Session
Incident Officer	1 and 4	May attend Clerk of the Course Seminar at ACU HQ for information purposes.
Secretary of the Meeting	2 and 4	Will receive Training at meetings and if required at Regional or ACU HQ Seminars.
Technical Official		Will receive training via the Chief Technical Officer at meetings. May attend Regional Training Seminars
Club Stewards	3	May attend Regional or ACU HQ Seminars for information purposes
Chief Marshal		May receive training at ACU HQ or Regional Training Days
Marshal		May receive training at Regional Training days and at meetings via the Chief Marshal.
Medical Officer		None required

Registration of the above officials and marshals will be renewed annually. All such Officials will receive an appropriate form of identification from the ACU.

Note 1 Incident Officer

Will collate all information and documentation, and prepare reports relating to serious accidents and to all incidents involving Officials or Spectators.

Note: A Deputy Clerk of the Course may undertake these duties. An Incident Officer may be nominated to attend a Clerk of the Course Seminar to assist with these duties.

Note 2 Secretary of the Meeting

Will be responsible for all administration connected with the organisation of a meeting.

Note 3 Club Stewards

Stewards of the meeting exercise judicial authority over the running of the meeting according to the National Sporting Code and Supplementary Regulations.

Note 4 Incident Officer and Secretary of the Meeting Registration

Currently there is no requirement for these officials to be registered for Road Race Disciplines.

SECTION 4 PRACTICE**4.1 TIME MUST BE PUT ASIDE FOR THE PRACTICE SESSIONS AND THESE MUST BE DEFINED IN THE SUPPLEMENTARY REGULATIONS FOR THE MEETING.**

- 1 Riders will commence practice under the instructions of the Start Officials.
- 2 The duration of each practice session will commence from the time the first rider joins the circuit and will finish not less than 10 minutes later.
- 3 The end of practice will be indicated by the waving of a chequered flag at which time the pit exit will be closed. A rider's time will continue to be recorded until he passes the finish line after the allotted time has lapsed.
- 4 If practice is interrupted due to an incident or any other reason then a red flag will be displayed at the start line and at marshals posts. All riders must return slowly to the pit lane or as otherwise instructed by the Marshals under the direction of the Clerk of the Course.
- 5 When the practice is restarted the time remaining will be decided by the Clerk of the Course.

SECTION 5 GRID POSITIONS**5.1 POSITIONS**

- 1 Pole position, and the configuration of the grid, will be determined at the time of the Track Inspection.
- 2 Grid positions will be established according to the provisions of the Supplementary Regulations.

5.2 TIMED PRACTICE

Where timed practice is used and identical times are recorded by more than one rider in the official qualifying practice session for the race the rider first setting such a time will receive the better starting position.

A qualifying maxima may be specified in the Supplementary Regulations.

5.3 BALLOTTED

Where the Organiser decides that the grid positions will be by ballot this must be conducted by the competitors at the meeting.

5.4 ALLOCATED

Organisers wishing to allocate grid position will specify this and the method to be adopted in the Supplementary Regulations.

SECTION 6 START PROCEDURES

Races may be started by one of the following methods:

6.1 GROUP STARTS

Which include the 45 degree echelon line up known as the Le Mans start.

6.2 INTERVAL STARTS

Where competitors are started individually or in groups at pre-determined intervals.

Starts may be made with engines running or engines stopped. For starts with engines stopped the Supplementary Regulations for the race must specify the authorised method of starting.

6.3 CLUBMANS RACES

- 1 Riders collect in the Assembly Area and proceed when directed to the Grid to take up their allocated Grid positions.
- 2 An Official will signal all the Riders to proceed on a warm-up lap (of the circuit being used for the race) by waving a Green Flag. On completion of the warm-up lap the riders each return to their allocated Grid positions.
- 3 Riders who do not go on to the Grid may join the warm-up lap from the Pit Lane on the instruction of the Officials, but in this case must start the race from the back of the Grid.
- 4 On the completion of the warm-up lap an Official will display a Red Flag at the front of the Grid.
- 5 When the grid is re-formed the Official with the Red Flag will leave the Grid indicating to the Riders that the race is about to commence.
- 6 Any Rider who stalls his engine on the Grid, or who has other difficulties, must remain on his motorcycle and raise an arm. It is not permitted to attempt to delay the start by any other means.
- 7 A Red light will be displayed for up to 5 seconds. The Red Light will then be extinguished to start the race. Alternatively, the National Flag may be lowered to start the race.
- 8 After the Riders have passed the exit of the Pit Lane any Riders waiting there may be permitted to join the race at the discretion of the Clerk of the Course and under the instructions of the Officials.
- 9 Should there be a problem on the Grid, the Starter may display a Yellow Flag or Yellow lights to indicate a delayed start. The Clerk of the Course may decide that the Riders will complete another warm-up lap and the race distance may be reduced.

6.4 NATIONAL RACES

- 1 Riders proceed as directed to the Grid upon the opening of the Pit Lane and take up their starting positions.
- 2 Riders take up their allocated positions on the Grid. Riders who encounter technical problems must go to the Pit Lane to make adjustments or to change machines.
- 3 Two minutes before the start of the race the Starter will signal all the Riders to proceed on a warm-up lap by waving a Green Flag. On completion of the warm-up lap the riders each return to their allocated Grid positions.
- 4 Riders not going on to the Grid may join the warm-up lap from the Pit Lane on the instructions of the Officials but in this case must start the race from the rear of the Grid.
- 5 On completion of the warm-up lap an Official will display a Red Flag at the front of the grid.
- 6 When the Grid is re-formed the Official with the Red Flag will leave the track indicating to the Riders that the race is about to commence.
- 7 Any Rider who stalls his engine on the Grid or who has other difficulties must remain on his motorcycle and raise an arm. It is not permitted to delay the start by any other means.
- 8 A Red Signal light will be displayed for up to 5 seconds. The Red Light will then be extinguished to start the race. Alternatively, the National Flag may be lowered to start the race.
- 9 After the Riders have passed the exit to the Pit Lane any Riders waiting there may be permitted to join the race at the discretion of the Clerk of the Course and under the instructions of the Officials.
- 10 Should there be a problem on the Grid, the Starter may display a Yellow Flag or Yellow lights to indicate a delayed start. Riders will stop engines. One assistant per team may enter the grid to assist the competitors. The Rider(s) responsible for the delay will start from the back of the Grid. The Riders will complete another warm-up lap and the race distance will be reduced by one lap.

6.5 ANTICIPATION OF THE START

- 1 Anticipation of the Start is defined as when the motorcycle is moving forward when the Red Lights are on.
- 2 Any Competitor who takes up an incorrect Grid position will be judged to have anticipated the Start.
- 3 The Clerk of the Course will award a Time Penalty of up to 20 seconds to any Rider who anticipated the Start. The decision as to an anticipated Start is to be accepted as a Matter of Fact from which there is no right of Protest.

SECTION 7 FLAGS AND LIGHTS

Marshals and other officials display flags or lights to provide information and/or convey instructions to the riders:

7.1 FLAGS AND LIGHTS USED TO PROVIDE INFORMATION

1 NATIONAL FLAG OR START LIGHTS

- 1 Signal for the Start of the Race

2 GREEN FLAG

- 1 The track is clear
- 2 This flag will be shown waved by the starter to signal the start of the warm up lap.
- 3 This flag must be shown motionless at each flag marshal post for the first lap of each practice session and of the warm up, for the sighting lap(s) and for the warm up lap.
- 4 This flag must be shown motionless at the flag marshal post immediately after the incident that necessitated the use of one or more yellow flags.

3 YELLOW AND RED STRIPED FLAG

- 1 Oil, water or other substance is affecting adhesion on this section of the track.
- 2 This flag must be shown motionless at the flag marshal post.

4 BLUE FLAG

- 1 National events and above. Not mandatory at Club level events
- 2 May be shown waved, this flag indicates that a faster rider is about to overtake.
- 3 The use of this flag is optional at meetings of lower than National Status. Shown waved at the flag marshal post, this flag indicates to a rider that he is about to be overtaken.
- 4 During the practice sessions, the rider concerned must keep his line and slow down gradually to allow the faster rider to pass him.
- 5 During the race, the rider concerned is about to be lapped. He must allow the following rider(s) to pass him at the earliest opportunity.

5 YELLOW FLAG WITH BLACK DIAGONAL CROSS

- 1 This flag will be shown motionless at the finish line at track level to indicate the commencement of the final lap of the race.

6 CHEQUERED BLACK AND WHITE FLAG

- 1 This flag will be waved at the finish line on track level to indicate the finish of race or practice session.

7 CHEQUERED BLACK AND WHITE FLAG PLUS BLUE FLAG

- 1 The chequered black/white flag will be waved together with the blue flag presented motionless

at the finish line on track level when a rider(s) precedes closely the leader during the final lap before the finish line.

7.2 FLAGS USED TO CONVEY INFORMATION AND INSTRUCTIONS

1 YELLOW FLAG AND OR YELLOW LIGHTS

- 1 Shown waved at each row of the starting grid, this flag indicates that the start of the race is delayed.
- 2 When shown stationary at the flag marshal post this flag indicates danger ahead, riders must slow down.
No overtaking is permitted
- 3 When shown waved at the flag marshal post this flag indicates that the danger is more imminent. The riders must be prepared to stop.
- 4 Overtaking is forbidden up until the point where the green flag is shown.
- 5 Any infringement of this rule during a practice session will result in the cancellation of the time of the lap during which the infraction occurred.
- 6 In case of infringement of this rule during the race, a time penalty will be imposed. In both cases, further penalties (such as fine – suspension) may also be imposed.
- 7 During the final inspection lap (by the Stewards and other Officials) this flag must be waved at the exact place where the flag marshal will be positioned during the practices, warm ups and races.

Note: Following an incident during a practice or race the Yellow Flags are usually displayed as follows:

- 1 Shown waved at the flag marshals' post immediately prior to the incident.
- 2 Shown stationary at the flag marshals' post preceding the post at which it is being shown waved.
- 3 Additional flags may be shown at the request of the Clerk of the Course.

2 WHITE FLAG

- 1 National events only. Not permitted at Club level.
- 2 An intervention vehicle is on the track.
- 3 Waved at the flag marshal post, this flag indicates that the rider will encounter the vehicle in the current section of the track.
- 4 It is forbidden for a rider to overtake another rider during the display of the white flag.
- 5 Overtaking the intervention vehicle is permitted.
- 6 As soon as such a vehicle stops on the track, the white flags must be maintained and the yellow flags must also be presented.

Note: At a meeting of below National status no Ambulance or Fast Intervention Vehicle will be allowed to be moved onto the course or its immediate verges whilst racing or practice is in progress on any part of the circuit. This means that in circumstances when an Ambulance or Fast Intervention Vehicle is required on the circuit, the Red Flags must first be displayed and the race or practice brought to an actual and effective halt before any vehicle is deployed.

3 WHITE FLAG WITH RED DIAGONAL CROSS

- 1 Indicates that a Safety Car (Pace Car) is on the Track. Riders must slow down, overtaking is prohibited.

4 RED FLAG AND RED LIGHTS

- 1 When the race or practice is being interrupted, the red flag will be waved at each flag marshal's post. Riders must return slowly to the pits or as directed by the Marshals.
- 2 Any infringement of this rule will be penalised with one of the following penalties: fine – disqualification – withdrawal of Championship points – suspension.

- 3 The red flag will be shown motionless on the starting grid at the end of the sighting lap(s) and at the end of the warm up lap.
- 4 The red flag may also be used to close the track.
- 5 The red lights will be switched on at the start line for up to 5 seconds to start each race.

5 BLACK FLAG

- 1 This flag is used to convey instructions to one rider only and is displayed motionless together with the rider's number.
- 2 The rider must stop at the pits at the end of the current lap and cannot restart.
- 3 Any infringement of this rule will be penalised with one or more of the following penalties: fine – disqualification – withdrawal of Championship points – suspension.

6 BLACK FLAG WITH ORANGE DISK (RADIUS 40 CM)

- 1 This flag is used to convey instructions to one rider only and is displayed motionless together with the rider's number.
- 2 This flag informs the rider that his motorcycle has mechanical problems likely to endanger himself or others, and that he must immediately leave the track.
- 3 Any infringement of this rule will be penalised with one or more of the following penalties: fine – disqualification – withdrawal of Championship points – suspension.

7.3 FLAG DIMENSIONS

The flag dimension should be approximately 80cms in the vertical and 100cms in the horizontal.

7.4 FLAG COLOURS

The Pantones for the colours are as follows:

- Orange: Pantone 151C
- Black: Pantone Black C
- Blue: Pantone 286C or 298C
- Red: Pantone 186C
- Yellow: Pantone Yellow C
- Green: Pantone 348C

7.5 FLAG MARSHALS POSTS

The position of the Flag Marshals Posts will be fixed during the ACU Track Inspection.

7.6 MARSHALS OVERALLS

It is recommended that Marshals overalls be Orange (pantone 151C) or white in colour. Waterproofs should be of the same colour or transparent.

SECTION 8 BEHAVIOUR DURING PRACTICE AND RACE

8.1 RIDERS MUST OBEY THE FLAG SIGNALS, THE LIGHT SIGNALS, AND THE BOARDS WHICH CONVEY INSTRUCTIONS. ANY INFRINGEMENT TO THIS RULE WILL BE PENALISED ACCORDING TO THE PROVISIONS OF SECTION 7.

- 1 Riders must ride in a responsible manner which does not cause danger to other competitors or participants, either on the track or in the pit-lane. Any infringement of this rule will be penalised with one of the following penalties: fine – time penalty – disqualification – withdrawal of Championship points – suspension.
- 2 Riders should use only the track and the pit-lane. However, if a rider accidentally leaves the track then he may rejoin it at the place indicated by the marshals or at a place which does not provide an advantage to him. Any infringement of this rule during the practices or warm up

- will be penalised by the cancellation of the lap time concerned and during the race, by a time penalty.
 Further penalties (such as fine – disqualification – withdrawal of Championship points) may also be imposed.
- 3 Any repairs or adjustments along the race track must be made by the rider working alone with absolutely no outside assistance. The marshals may assist the rider to the extent of helping him to lift the machine and holding it whilst any repairs or adjustments are made.
 The marshal may then assist him to re-start the machine.
 - 4 If the rider intends to retire, then he must park his motorcycle in a safe area as indicated by the marshals.
 - 5 If the rider encounters a problem with the machine which will result in his retirement from the practice or the race, then he should not attempt to tour at reduced speed to the pits but should pull off the track and park his machine in a safe place as indicated by the marshals.
 - 6 Riders are not permitted to return slowly to the pits for any reason during practice or racing.
 - 7 Riders may enter the pits during the race, but taking the motorcycle inside the pit box is not permitted. Any infringement of this rule will be penalised with a disqualification.
 Riders who stop their engines in the pits may be assisted to re-start their motorcycle by the mechanics.
 - 8 Riders are not allowed to transport another person on their machine or to be transported by another rider on his machine.
 - 9 Riders must adopt a position with their feet on the footrests.
 - 10 Riders who fall from their machine are not permitted to continue with the practice or race until passed fit by the Medical Officer and the machine re-inspected by technical control.
 - 11 Riders must not ride or push their motorcycles in the opposite direction of the circuit, either on the track or in the pit lane, unless doing so under the direction of an Official.
 - 12 No signal of any kind may pass between a moving motorcycle and anyone connected with the motorcycle's entrant or rider, save for the signal from the time keeping transponder, or legible messages on a pit board or body movements by the rider.
 Automatic timing devices, provided they do not disrupt official timekeeping methods, are not considered as telemetry.
 - 13 The carrying of on board cameras is only permitted with the prior approval, in writing of the Clerk of the Course. The installation of the camera must be approved by the Chief Technical Officer.
 - 14 A speed limit may be imposed in the Pit Lane
 1. Any rider found to have exceeded the limit during the practice will be subject to a penalty as described in the Supplementary Regulations.
 2. Any rider who exceeds the pit lane speed limit during a race will be penalised with a time penalty as described in the Supplementary Regulations.
 3. The Clerk of the Course must communicate the offence to the pit of the rider.
 - 15 In the interest of safety, a rider may not stop his machine on the racing surface during the slow down lap, (exception see Art 8.17) when returning to the pits after the chequered flag.
 - 16 Stopping on the track during practices and races is forbidden. (exception see Art 8.17)
 - 17 During the practice sessions and warm ups, practice starts are permitted, when it is safe to do so, at the pit lane exit before joining the track and after the chequered flag is shown at the end of practice sessions and warm ups, when it is safe to do so. These practice starts must take place off the racing line.
 - 18 The spinning of rear wheels (burn-outs) is strictly forbidden. Breach of this rule will result in a penalty of disqualification.
 - 19 Any competitor who in any ACU or MCRCB Permitted Event participates on a machine for which he is not eligible through age or licence restrictions will be penalised by a fine of £500.00 and a suspension for one year from the date of the hearing.

8.2 PROTESTS

- 1 Any Rider, Passenger, Entrant or Official licenced by the ACU affected by a decision taken during a meeting held under an ACU Permit has the right to protest against that decision.
- 2 No protest may be lodged against a decision of statement of fact of the Race Direction to inflict or not:
 - A time penalty
 - A change of position
 - A ride through
 - A disqualification from the practice sessions or races by means of a black flag or black flag with orange disc.
 - A fine for speeding in the pit lane.

SECTION 9 NEUTRALISATION OF RACES – SAFETY CAR

A compulsory riders briefing on these Regulations must be conducted by the Clerk of the Course or his Deputy prior to any race in which the use of Safety Cars is intended. The Safety Cars if they are to go on the track must be equipped with Yellow Flashing lights. The words “Safety Car” should be clearly indicated on the back and the sides of the car. The Driver of the Safety Car should be the holder of an ACU or FIM Clerk of the Course or Competition Licence for Road Racing, a MSA Competition Licence or an ARDS Licence. All “Safety Car” drivers must be assisted in the car by a Race Official who is in constant contact with the Clerk of the Course.

If during a race of 20 miles or more an incident other than rain puts at risk the safety of the competitors and renders impossible the normal progress of the competition the Clerk of the Course (Grade National A or above or of Grade National B with the prior individual approval of the Road Race Committee) may decide to neutralize the race.

The following procedure will be adopted:

- 1 A White Flag with a Red Diagonal Cross must be displayed at the selected Marshals Posts during the whole of the neutralisation period.
- 2 A White Board showing the words “Safety Car” will be displayed at the Start Line during the whole of the neutralisation period.
- 3 Riders must immediately slow down. Overtaking is forbidden. The Track Marshals will record all infringements and report them to the Clerk of the Course.
- 4 The pit lane exit will be closed to competitors.
- 5 When the leading competitor approaches the start line at the end of the lap that the neutralisation was decided a “Safety Car” equipped with two flashing Yellow Lights on the roof will enter the track with two flashing lights switched on.
- 6 The competitors will end up in single file behind the “Safety Car” without overtaking it.
- 7 Competitors may now enter the pits but all other rules must be complied with.
- 8 After stopping at the pits competitors must line up at the pit lane exit and must only rejoin the circuit when instructed to do so by the official with a Green Flag or when the Green Light at that location is switched on. These instructions will be given 10 seconds after the last competitor in line behind the “Safety Car” has passed that point. Competitors must join the back of the line and MUST NOT overtake. The pit lane exit will then be closed and competitors must wait for the next lap.
- 9 During the last lap of the neutralisation period the “Safety Car” will switch off the Lights on the roof to indicate to the competitors that the “Safety Car” will enter the pit lane at the end of that lap and the race will resume.
- 10 When the “Safety Car” has left the track overtaking is forbidden up until the start line, where a Green Flag will be waved and the White Flags with the Red Diagonal Cross immediately withdrawn.
- 11 The pit lane exit will then be permanently re-opened.
- 12 The race will continue normally.

- 13 Unless otherwise decided by the Clerk of the Course, each lap completed by the “Safety Car” will be counted as a race lap. A Board displaying the new actual number of laps remaining will be displayed on the start line when the green flag is waved. If the race is eventually stopped under SR 9.1 whilst the “Safety Car” is deployed the result will be according to the position at the last completed lap before the “Safety Car” was introduced.
- 14 No Protest may be lodged against the decision of the Clerk of the Course regarding the number of laps remaining in order to complete the race.
- 15 All other rules of the race must be observed.

SECTION 10 INTERRUPTION OF A RACE

10.1 IF THE CLERK OF THE COURSE DECIDES TO INTERRUPT A RACE DUE TO CLIMATIC CONDITIONS OR SOME OTHER REASON, THEN RED FLAGS WILL BE DISPLAYED AT THE FINISH LINE AND AT ALL FLAG MARSHALS’ POSTS.

- 1 Riders must immediately slow down and return to the pit lane, or as directed by the marshals upon instructions from the Clerk of the Course.
- 2 Only riders still racing when the red flag is displayed will be counted as finishers.
- 3 The results will be the results taken at the last point where the leader and all other riders on the same lap as the leader had completed a full lap without the red flag being displayed calculated as in the principle set out in the following example:
 Example of a race consisting of 30 laps:
 If a Red Flag is shown when the leader is on his 10th lap after completing his 9th lap and all other riders have not completed the 9th lap, then the race result will be 8 laps completed, and the second part will consist of 22 laps.
 If a Red Flag is shown when the leader and all other riders on the same lap as the leader are on the 10th lap after completing the 9th lap, the race result will be 9 laps completed and the second part will consist of 21 laps.
 Exception: if the race is interrupted after the chequered flag, the following procedure will apply:
- 4 For all the riders to whom the chequered flag was shown before the interruption, a partial classification will be established at the end of the last lap of the race.
- 5 For all the riders to whom the chequered flag was not shown before the interruption, a partial classification will be established at the end of the penultimate lap of the race.
- 6 The complete classification will be established by combining both partial classifications as per the lap/time procedure.
- 7 If the results calculated show that less than three laps have been completed by the leader of the race and by all other riders on the same lap as the leader, then the race will be null and void and a completely new race will be run. If it is found impossible to re-start the race, then it will be declared cancelled and the race will not count for any Championship.
- 8 If three laps or more have been completed by the leader of the race, and all other riders on the same lap as the leader, but less than two-thirds of the original race distance, rounded down to the nearest whole number of laps, then the race will be restarted. If it is found impossible to restart the race, then the results will count and half points will be awarded in any Championship.
- 9 If the results calculated show that two-thirds of the original race distance rounded down to the nearest whole number of laps have been completed by the leader of the race and by all the other riders on the same lap as the leader, then the race will be deemed to have been completed and full Championship points will be awarded.
- 10 Exception: Where a race is interrupted at a meeting of below National Status the Clerk of the Course is permitted to decide that the race has been completed or to run a new race over a distance appropriate to the prevailing conditions.

SECTION 11 RE-STARTING A RACE THAT HAS BEEN INTERRUPTED

11.1 IF A RACE HAS TO BE RE-STARTED, THEN IT WILL BE DONE AS QUICKLY AS POSSIBLE, CONSISTENT WITH TRACK CONDITIONS ALLOWING. AS SOON AS THE RIDERS HAVE RETURNED TO THE PITS THE CLERK OF THE COURSE WILL ANNOUNCE A TIME FOR THE NEW START PROCEDURE TO BEGIN WHICH, CONDITIONS PERMITTING, SHOULD NOT BE LATER THAN 10 MINUTES AFTER THE INITIAL DISPLAY OF THE RED FLAG.

- 1 The results of the first race must be available to the riders before the second part of a race can be started.
- 2 The start procedure will be identical to a normal start with sighting lap(s), warm-up lap etc.
- 3 Conditions for the re-started race will be as follows:
 1. In the case of the situation described in Article 10.7 above (less than 3 laps completed) All riders may re-start.
 2. Motorcycles may be repaired or changed. Refuelling is permitted.
 3. The number of laps will be the same as the original race.
 4. The grid positions will be as for the original race.
- 4 In the case of situation described in Article 10.8 above (3 laps or more and less than two-thirds completed)
 1. Only riders who are classified as finishers in the first race may re-start. Article 12.3.
 2. Motorcycles may be repaired or changed. Re-fuelling is permitted.
 3. The number of laps of the second race will be the number of laps required to complete the original race distance with a minimum of 5 laps.
 4. The grid position will be based on the finishing order of the first race.
 5. The final race classification will be based on the results of each rider classified in each race added together. Riders who have completed an identical number of laps will be placed according to the combined time for each race. In the case of a tie the result of the last race will be decisive.
- 5 Exception: Provisions of Article 10.10 may apply according to the status of the meeting. (The discretion of the Clerk of the Course to decide at meetings of lower than National status.)

SECTION 12 FINISH OF A RACE AND RACE RESULTS

12.1 FINISH OF A RACE

- 1 When the leading rider has completed the designated number of laps (or the designated time in the case of Endurance) for the race, a Chequered Flag will be displayed at the finishing line.

12.2 THE CHEQUERED FLAG WILL CONTINUE TO BE DISPLAYED TO THE SUBSEQUENT RIDERS.

- 1 After the Chequered Flag is displayed to the leading Rider no other Rider is permitted to enter the track from the Pit Lane.
- 2 If a Rider closely precedes the leader during the final lap before the finish line the Official will show to the Riders and to the Leaders simultaneously the Chequered Flag and the Blue Flag. This will indicate to the Leader that he has completed the race and to the Rider closely preceding the Leader that he still has to complete the final lap.
- 3 In the case of a photo finish between two or more Riders the decision shall be taken in favour of the Rider whose Front Wheel leading edge crossed the finish line first. In the case of Ties, the Riders concerned will be ranked according to the best lap times they achieved in the race.
- 4 The Clerk of the Course may require machines to be presented for post Practice or Race verification. Where this is required the Riders must be informed prior to the start of the Practice or Race that they must attend the "Parc Ferme".

12.3 RACE RESULTS

- 1 When the Race has been completed as described above the Results will be based on the order in which the Riders crossed the finish line and the number of laps that they have completed.
- 2 When the Race has been declared completed by the Clerk of the Course following an Interruption under Article 10.3, the result will be established according to the procedure described in Articles 10.4–10.6 for a race interrupted after the Chequered Flag.
- 3 In either of the cases described in 1) and 2) above. To be counted as a Finisher and be included in the results a Rider must have completed 75% of the actual race distance. He must also have crossed the finish line on the track and not in the Pit Lane within two minutes after the winner and be in contact with his machine.
- 4 A new Lap record can only be established during a race.
- 5 Both for the Practice and for the Race, the lap time is the subtraction of the time between two consecutive crossings of the finish line.

SECTION 13 SAFETY

13.1 MEDICAL SERVICES – MINIMUM REQUIREMENTS FOR ROAD RACE MEETINGS

	PERSONNEL			VEHICLES		
	Doctors MO	Paramedic(s) PM	First Aid personnel	Ambulance(s)	Fast Intervention Vehicle	Special Notes
Road race	2 MOs	PMs can assist MOs but not replace them	5	2	1	(i)
Road race Test day	1 MO	1 PM	2	1	1	

The following applies to all events run under this code,

- 1 **Medical Officer (MO) – Doctor** A medical practitioner (Doctor) fully registered with the General Medical Council (GMC), and holding appropriate personal medical malpractice insurance cover (excludes NHS Crown Indemnity).
- 2 **Paramedic (PM)** A State Registered Paramedic with the HPC (Health Professions Council) Paramedics must have appropriate personal medical malpractice insurance cover.
- 3 **Ambulance** A vehicle registered as an ambulance with the DVLA (Driver and Vehicle Licencing Agency) or similar government licencing authority and complying with FIM minimum equipment regulations for a type C vehicle; that is:
 Medical: A stretcher (preferably standardised), oxygen supply, apparatus to immobilise limbs and vertebral column. First aid medicaments and materials.
 Technical: Radio communication. Visible and audible signals.
 Staffing: An ambulance must be staffed by two First Aid Personnel (who can be the two minimum First Aid Personnel).
 An ambulance may act as a Medical Centre BUT if so it must be a vehicle in addition to the minimum ambulance requirement.
- 4 **First Aid Personnel** A person holding a current certificate of First Aid competency. (Where an event is open to the public event organisers should ensure that all First Aid personnel are insured against malpractice for the event concerned).
- 5 **Fast Intervention Vehicle (FIV)**
 1. A Fast Intervention Vehicle is a compulsory requirement at all Road Race events.
 2. Such a vehicle requires a driver, a Doctor, and appropriate medical equipment. If the driver is not a First Aid Person, then such a Person must be present in the vehicle. This vehicle must

be immediately available to proceed to an incident, if called to do so, upon instructions from the Clerk of the Course.

3. A FIV must not be used in place of an ambulance.
4. A Fast Intervention Vehicle must be equipped with visible signals (flashing lights).
5. At a meeting of below National status no ambulance or Fast Intervention Vehicle is allowed to be moved onto the course or its immediate verges whilst racing or practice is in progress on any part of the circuit. This means that in the circumstances when an Ambulance or Fast Intervention Vehicle is required on the circuit, the Red Flags must first be displayed and the race or practice brought to an actual and effective halt before the vehicle is deployed.

Note: This restriction is not applicable where the Clerk of the Course has decided to neutralise the race by use of the Safety Car in accordance with the provisions of Section 9 of the Road Race Regulations.

6. During Sighting Lap: Stationary or moving Ambulances, Fast Intervention Vehicles, and the like, may be encountered anywhere on the circuit when riders are dispatched from the Assembly Area on their "sighting lap" to the start line prior to the start of a race. This "sighting lap" is not considered to be either Practice or Racing and riders must always be prepared to encounter such vehicles. When such a vehicle or vehicles are on the track the Yellow Flags will be displayed in the appropriate section of the course.

Special Notes

2 MOs must be present at the start of every meeting and be present for the duration of the meeting unless accompanying a patient to hospital. If vehicles or First Aid personnel leave the circuit to convey a patient to hospital then the minimum requirements for the event to continue are 1 MO, 1 FIV, 2 Ambulances and 4 First Aid personnel.

- 6 **Medical Examination** At any time during a meeting the Clerk of the Course may require a competitor to undergo a medical examination to determine his fitness to participate. The decision of the Medical Officer is a matter of fact without right of protest.

13.2 TRACK SAFETY PRECAUTIONS

- 1 The safety precautions of circuits will be as laid down for each Permanent Course Licence or Temporary Course Certificate following an inspection of the course.
- 2 It should be generally realised that the organisers of speed events have a legal responsibility to the general public and therefore it is the duty of these organisers to ensure that all reasonable precautions are taken to protect the public.
- 3 Whilst organising Clubs are insured under the Promoters Third Party Policy in respect of their legal liability, it is a condition of the policy that the promoters of an event must comply strictly with the National Sporting Code and any additional requirements as may be specified by the Permanent Course Licence or Temporary Course Certificate.
Clubs failing to do so stand in grave danger of any claims being repudiated to the Club by the insurers under the terms of the policy covering legal liability.
- 4 The safety precautions to be adopted are provided with the Permanent Course Licence or Temporary Course Certificate for the particular course but the following general requirements must be observed.
- 5 The attention of organisers is drawn to the provision of the NSC which stipulates that no alteration of the requirements contained in the Permanent Course Licence or Temporary Course Certificate shall be made without the prior approval, in writing, of the ACU.
- 6 It is recognised that circumstances may arise in which it is necessary to make certain alterations to the course on the day of the meeting but any such alterations must be approved by the Stewards of the Meeting and details given in their report to the permit issuing authority.

13.3 FIRE EXTINGUISHERS

Each working vehicle in the Paddock must have a 2 Kg (minimum) dry powder fire extinguisher

available for immediate use. This extinguisher must show the date of the last annual inspection. Non-compliance with this regulation will incur a penalty imposed by the Clerk of the Course.

13.4 FIRE EXTINGUISHERS AT CIRCUITS

At all race and speed events, there must be a valid certificate, issued annually immediately prior to the start of each season's racing by the manufacturer or his agent, to the effect that all fire extinguishers are in effective working order. This certificate must be available for inspection by the Stewards.

All fire posts must be clearly marked. In addition to the fire equipment at each post there must be:

- 1 Fire extinguishers in the paddock and assembly area.
- 2 At least two fire extinguishers in the Technical Control Area.
- 3 Fire extinguishers in every medical room/centre.
- 4 During events of National status or below where machines may be refueled and more than five gallons (22 litres) of fuel is held in any one pit, there shall be a minimum of one fire tender and crew in attendance, appropriately equipped and with immediate access to the pit area. International events must comply with appropriate FIM requirements.

13.5 WARNING AND PROHIBITION SIGNS AT CIRCUITS

For full details regarding Warning Notices and Prohibition Notices please refer to the Safety Precautions section of this Handbook.

1 WARNING NOTICES

The following requirements regarding the display of Warning notices are applicable to all Road Racing events.

- 1 WARNING NOTICE (A) (29 × 20 inches.) Warning notices as detailed below must be displayed on each side of every entrance to the course, including the entrance to car parks and paddock.
These notices must be prominently displayed where they can be easily read by the public before any admission charge is paid, or where no admission charge is made before entry is gained into the circuit.
Where it is not possible to define the limits of the site and to control admission of the public (e.g.M.O.D Land and heath land) warning notices must be profusely displayed around the course and also in the car parks.
- 2 WARNING NOTICE (B) (20 × 15 inches.) Those parts of the course to which the public may be admitted and where it is neither practical nor necessary to erect a barrier, e.g. those parts of the course which are straight and are only used by the public to reach other parts of the course, may be indicated by the erection of the special type of Warning Notice (B). These notices should be displayed at least 30ft. from the course. It is recommended that the limit of these areas should also be defined by a boundary tape.

2 PROHIBITION NOTICES

The following requirements regarding the display of Prohibition notices are applicable to all Road Racing events.

PROHIBITED AREA NOTICE (C) (29 × 20 inches.) Areas where the public are not permitted must be clearly defined by the display of an adequate number of "Prohibited Area" notices (B). Notices should be displayed within the prohibited area, facing the public.

13.6 DECLARATION – ADMISSION TICKETS, ARMBANDS AND PASSES

Subject to the provision of the Sunday Observance Act 1780, no person may be allowed to any part of the circuit without a suitable pass or ticket. All tickets and passes must bear the following wording shown below in full and if the wording appears on the reverse side then the words "For Conditions of Admission See Over" must be clearly printed on the face thereof. Where a ticket is cancelled by

being torn in half, the full wording and, where applicable, the “For conditions of admission see over” must appear on each half. Where a charge is made for admission into special or “reserved” enclosures a ticket bearing the approved declaration must be issued in exchange for payment to enter these enclosures.

Declaration.

WARNING. MOTOR SPORT CAN BE DANGEROUS. Despite the organisers taking all reasonable precautions, unavoidable accidents can happen. Please comply with all instructions of marshals and notices and remain in permitted areas only. THEY ARE CONCERNED WITH YOUR SAFETY. All vehicle passes must bear the same wording and comply with the above requirements.

13.7 DECLARATION ON THE OFFICIAL PROGRAMME

The declaration as outlined above should be printed in full on the outside front cover of all Official Programmes. Where this is not possible it must be printed in full in the programme and the words “For conditions of admission see inside” printed on the outside cover.

13.8 SIGNING ON

All riders, passengers, officials and press must sign a declaration on the relevant signing on form (available from the ACU).

- 1 Age Limits for Officials
All event Executive and Administrative Officials shall be 18 years of age or over.
- 2 Age Limits for Marshals
 1. All Assistant Officials whose function is to be carried out at the immediate trackside must be at least 16 years of age.
 2. All Assistant Officials who are under 18 years of age must have obtained parental agreement to carry out the duty and the signing-on signature must be countersigned by the person responsible for the official at the event.
 3. When using the services of officials under 18 years of age for any duties at any event special attention must be given to any risks which may be associated with the duty, and to the previous experience of the official.

SECTION 14 GENERAL TECHNICAL SPECIFICATIONS

14.1 PROTECTIVE CLOTHING

During practice and racing riders and passengers must wear the following clothing and footwear:

- 1 A complete all in one leather suit of at least 1.2mm in thickness on all parts of the suit. Suits zipped together at the waist are not permitted. Non-leather material may be used if it meets with the following requirements.
- 2 The following characteristics of the material must be at least equivalent to 1.5mm of cowhide (not split leather)
Fire retardant quality – Resistance to abrasion – Coefficient of friction against all types of asphalt – perspiration absorbing qualities – Medical test – non toxic and non allergenic – Fabric of a quality that does not melt. It must be non-flammable.
- 3 The following areas must be padded with at least a double layer of leather or enclosed plastic foam at least 8mm thick:
Shoulders, elbows, both sides of the torso and hip joint, the back of the torso, knees.
- 4 Competitors must wear complete undergarments if they use suits which are not lined. Suitable undergarments may be of the Nomex type, they may also be of silk or simply cotton. Synthetic materials which may melt and which could harm the riders skin in an accident are not allowed, neither for the suit nor for the undergarments.
- 5 Competitors footwear must be of leather or an approved substitute material and of a minimum height of 200mm to provide, with the suit, complete protection (i.e. no exposed areas.)

- 6 Competitors must wear leather protective gloves.
- 7 The use of metallic material in any item of clothing or personal protection which regularly comes into contact with the track is prohibited (i.e. metal studs in knee sliders, boots etc.).

14.2 HELMETS

Helmets bearing the current ACU gold stamp and in sound condition and properly fitted must be worn by all riders and passengers while practising and racing. Overseas riders may use helmets as approved by their own FMN.

14.3 IDENTIFICATION DISCS

While practising and racing, riders and passengers are required to wear an identification disc around the neck, attached by a material approved by the technical officer. Thin chains should be avoided. The disc must be permanently marked with the wearer's full name and date of birth. Identification discs shall be of a durable material, circular in shape, between 20mm and 25mm in diameter and having rounded edges with no sharp or ragged projections.

14.4 BODY JEWELLERY

It is recommended that any body piercing studs, ring etc. are removed.

SECTION 15 TECHNICAL SPECIFICATIONS FOR SOLO MOTORSCOOTERS

Note: please refer to the ACU website for any changes to these scooter standing regulations for 2010.

15.1 INTRODUCTION

These Regulations specify the requirements for construction of Solo Motor scooters for use in Road Races, Sprints and Hill Climbs.

15.2 GENERAL

For the purposes of these Regulations and any events for which they are applicable, SOLO MOTORSCOOTERS are divided into TWO categories – "Standard Class Machines" and "Special Scooters".

The regulations detailed below are applicable to ALL Solo Motor scooters except where they specifically state For Standard Class Machines or For Special Scooters when they shall apply only to the appropriate category of Solo Motor scooter.

15.3 DEFINITIONS

Except as specially authorised by the ACU, a Solo Motor scooter is a two wheeled motor vehicle on which the driver may sit on a seat and have free and open space in front of the seat for passage of his legs, with the following additional characteristics:

- 1 The minimum size of the space forward of the seat must be a regular or irregular trapezium with its top measuring 250mm along a line projected forward from the top of the seat parallel with a line drawn through the centres of the two road wheels and measured from the front extremity of the seat towards the steering column. Its depth vertically downwards must not be less than 250mm and its base not less than 100mm. The minimum space must be clear at all times of any obstruction of a permanent or temporary nature except where any such obstruction was fitted as manufacturer's original equipment (e.g. Vespa 90SS).
- 2 It shall have been manufactured by a manufacturer recognised by the ACU and not less than one hundred machines of that type equipped with the manufacturer's original or optional equipment must have been made and sold in the U.K. An Accountant's Certificate may be required as proof.

- 3 In cases of doubt the matter shall be referred to the Technical Committee.

15.4 FRAME AND BODYWORK

1 FOR STANDARD CLASS MACHINES

- 1 The frame shall remain as the manufacturer's original specification.
- 2 The front forks must have originated from the same motor scooter type as the frame and the main structure of the forks shall remain as the manufacturer's original specification.
- 3 It must have a body and leg shields in the form of an apron and footboards of the platform type.
- 4 All detachable external panelwork, e.g. side panels, leg shields, footboards and front mudguards, which form part of the manufacturer's original specification shall be securely fixed in place.
- 5 The tail-light unit and headlight and handlebar casings shall remain in their original position although glass may be removed (see Regulation 15.10).
- 6 Side panels, front mudguards and the top section of the headlight & handlebar casing may be replaced with properly manufactured components of similar appearance and structural strength to the original specification.
- 7 Minor modifications to panelling will be permitted to allow the fitting of larger carburettors, footrests, exhausts, and similar, but trimming or reducing original specification dimensions are prohibited.
- 8 Any type of seating may be used provided it is properly padded and securely fitted in place, but it shall not extend beyond the rear of the bodywork of the machine unless so positioned in the manufacturer's original specification. No part of the seat must be more than 900 mm above the ground when the motor scooter is not loaded.
- 9 No streamlining, spoilers or material additions may be made to the bodywork.
- 10 Rear view mirrors are forbidden.

2 FOR SPECIAL SCOOTERS

- 1 The basic frame and forks shall originate from a motor scooter as defined in Regulation 3 above. The main frame member extending from the steering head to the rear suspension mounting, and including the original engine mountings, must remain basically unaltered and Regulation 3(a). The above shall be complied with at all times unless the motor scooter was originally manufactured so as to contravene the said Regulation.
- 2 Any "non-original" portions of the frame must be constructed of good quality seamless drawn steel tube of a circular or non-circular section, welded or brazed together. If circular, the outside diameter shall not exceed 100mm, if non-circular, the maximum cross section shall not exceed 100mm measured at right angles to any flat face.
- 3 The use of composite (i.e. skinned bonded honeycomb) or Monocoque construction is forbidden with the exception of those parts of the motor scooter which were so constructed as part of the manufacturer's original specification.
- 4 The use of TITANIUM and similar "exotic" metals is forbidden in the construction of the frame, front forks, handlebars, swinging arm and wheel spindles. The use of light alloys is forbidden for wheel spindles.
- 5 The front forks must have originated from the same motor scooter type as the frame and the main structure of the forks shall remain as the manufacturer's original specification except that the steering column may be shortened.
- 6 Any type of seating may be used provided it is properly padded, securely fitted in place and no part of the seat is more than 900 mm above the ground when the motor scooter is not loaded.
- 7 Any form of bodywork may be used subject to the Regulations regarding streamlining in 5 below and provided the machine remains in a safe condition.
- 8 Rear view mirrors are forbidden.

15.5 STREAMLINING

For Standard Class Machines the provision of streamlining is prohibited.

- 1 For Special Scooters any streamlining fitted must comply with the following:
 1. The streamlining must be easily detachable for technical control and be so designed and fitted to allow complete liberty of movement to the driver when the vehicle is in motion and when getting on and of the vehicle, without any part of it having to be displaced.
 2. Aerofoils or spoilers are not permitted.
 3. The front road wheel, with the exception of the tyre, must be visible from either side.
 4. The extreme forward part of the streamlining must not project forward of a vertical line drawn 50mm in front of the front wheel axle.
 5. The extreme rearward part of the streamlining must not project rearward of a line drawn vertically at 330mm to the rear of the centre line of the axle of the rear wheel.
 6. Normal mudguards are not considered as streamlining.
 7. It must be possible to see the driver completely with the exception of the forearms, in the normal driving position, from either side and from above.
 8. It is forbidden to use any transparent material to avoid the application of these Regulations.
 9. No part of the seat or saddle or anything to the rear of these must be more than 900mm above the ground when the motor scooter is not loaded.
 10. Whatever the position of the handlebars, there must be a clear space of at least 25mm between the streamlining and the extremities of the handlebars, including any attachments thereto, and a clear space of at least 20 mm between the streamlining and any other part of the steering mechanism or front wheel.

15.6 INCLINATION

It must be possible for the motor scooter, not being loaded, to be inclined to an angle of 26° from the vertical without any part of it, other than the tyres, coming into contact with the ground.

15.7 FOOTRESTS

Footrests, which may comprise the original platform, must be provided and be so designed and positioned that easy access is available to all control pedals. Drivers must adopt a position with their feet on the footrests or they will be disqualified.

15.8 PROJECTIONS

There shall be as few sharp projections as possible. Where there are projections, they must be covered in such a way as to prevent injury, occasioned by accidental contact, to the driver. All tubular ends must be securely fitted with rounded ends.

15.9 KICKSTARTS

It is recommended that kickstart pedals be removed. Projecting kickstart shafts must be removed.

15.10 GLASS

All glass in lights and on instruments must be either removed or securely taped to retain it in place in the event of breakage.

Where any glass is removed the exposed aperture must be securely covered or infilled to retain the original appearance.

15.11 AIR INTAKES

Cooling air intakes, where permitted, must be so constructed that there is NO forward projection/protrusion to catch or foul in the event of an accident.

15.12 ENGINE AND DRIVE UNITS – GENERAL

- 1 The engine and drive unit must have originated from the same type of motor scooter as the frame and the drive must be transmitted to the road through the rear wheel of the motor scooter.
- 2 The unit shall be properly and safely finished with all necessary studs, nuts, bolts and washers securely fitted. There shall be no evidence of oil leaks.
- 3 The MAXIMUM PERMITTED engine capacity is 260cc. Any modifications made must not prejudice the safety of the driver, any other competitor or official and must be within the following parameters for the parts specified:

15.13 FOR STANDARD CLASS MACHINES

- 1 CYLINDER HEAD(s) – Liquid cooling of the cylinder head(s) is not permitted unless it formed part of the manufacturer's original specification for the engine used.
- 2 Cylinder Barrel(s) – Must be as manufacturer's original specification (though not necessarily produced by the original manufacturer) in regard to shape, size, configuration, position and number of ports, and external appearance, materials and method of manufacture, except that:
 1. Ports may be enlarged, but they may not be bridged nor the cylinder barrel(s) slotted. The position may not be changed, additional ports may not be provided, and the provision of additional material on either the inside or the outside of the barrel is prohibited.
 2. The bore size of a cylinder may be increased by not more than 10 mm.
 3. The cylinder length, between the base gasket and the head gasket faces may be reduced by not more than 10mm.
 4. Sleaving will only be permitted in order to return the barrel(s) to their original bore specification. Sleaving may not be used to alter the number, position or configuration of ports, or to reduce the bore size to less than its design dimension.
 5. The use of chrome, nicasil or any similar hard facing material to form the cylinder bore is prohibited except where provided as part of the manufacturer's original specification.
 6. The use of Malossi, Pinasco, Polini and Quattrini M1 cylinders are permitted. The use of twin induction cylinders is forbidden. Lambretta machines in class 4 – the use of the AF Rapido 200 cylinder and Mugello 200 Cylinder is permitted.
- 3 Packing pieces – The total thickness of any packing piece(s) or gasket(s) used between the base of the cylinder and the crankcase must not exceed 10 mm. Packing pieces may not be used as a means of increasing the available port area.
A 10mm packaging plate may be used on the side casing to enable the use of a six plate clutch. No other modification is allowed to the gearbox, end plate, chain, chain runner, or cush drive and sproket.
No other packaging pieces are allowed on standard class machines.
- 4 Crankcase – Crank casings must be as manufacturer's original specification, except that:
 1. Modifications may be made to permit the use of a larger section tyre subject to the limitations in Regulation 15.23 below.
 2. Modifications may be made to any existing crankcase porting except that the provision of additional material on either the inside or the outside of the casing is prohibited.
 3. Notwithstanding the exception in B above, the provision of additional material to effect genuine repairs to a crankcase will be permitted provided that the final dimensions and appearance do not exceed the manufacturer's original specification.
- 5 Crankshaft – The crankshaft shall remain as manufacturer's original specification, except that:
 1. The ignition mounting may be altered.
 2. Stroke size may not be altered except that when a crankshaft designed for use in any other motor scooter by the same manufacturer is used; the crankshaft stroke shall be as originally specified for the crankshaft employed.
 3. Modifications may be made in respect of inlet timing.

4. The crankshaft may be “padded” but must originate from a motor scooter engine produced by the same manufacturer as the engine unit in use.
5. The connecting rod may be altered or changed.
6. The crankshaft may be altered to accommodate the use of modified connecting rod assemblies.
7. Gearcase – The gear casing must be as manufacturer’s original specification.
8. Gearbox – The gearbox must be as manufacturer’s original specification for the engine type, except that the original gear cluster may be altered to provide alternative ratios. The thickness of the original loose gears may be altered but the original gear teeth must remain. The number of ratios must remain unchanged.

15.14 FOR SPECIAL SCOOTERS

- 1 Cylinder Barrels(s), Crankcase and Crankshaft
 1. In regard to shape, size, configuration, position and number of ports, and external appearance, materials and method of manufacture, the cylinder barrel(s) must have originally conformed to the manufacturer’s original specification (though not necessarily produced by the original manufacturer) or be included in the ACU list of approved kit barrels.
 2. The bore size of a cylinder may be increased by no more than 10mm.
 3. The cylinder used must have been originally designed for the engine type, must retain the original method and position of fitting and both the cylinder and the crankcase must retain the centres of the original stud holes used for bolting the cylinder to the crankcase. It must therefore be possible, with the exception of interference from a modified cylinder spigot, to fit the cylinder to a standard crank casing as produced by the original manufacturer of the engine unit used.
 4. The crankcase to cylinder gasket face must be parallel to that of the original crankcase.
 5. The crank casing must retain the original mounting points for support within the frame and the principal external dimensions must remain as manufacturer’s original specification.
 6. Any modification to the crank casing to permit usage of modified crankshaft assemblies will not be permitted if the modification is so extensive as to preclude the fitting of the standard crankshaft as produced by the original manufacturer of the engine unit used.
 7. Any type of crankshaft may be used subject to the limitations specified in sub paragraph F above.
 8. Liquid cooling, or any other modification, to the cylinder will not be permitted if the modification is so extensive as to preclude identification of the origin of the cylinder.
- 2 Gearcase/Gearbox – The gearcase must be basically as the manufacturer’s original specification. Modifications may be made to the number of drive ratios, the ratios themselves and to the gears.
 Alterations to the gear casing will not be permitted if the modification is so extensive as to preclude the fitting of a standard gear set as produced by the original manufacturer of the engine unit used.

Note: For the purposes of this Regulation, the ‘engine’ is deemed to comprise the cylinder barrel(s), crankcase and all internal components within these units.

15.15 ENGINE POSITION

The engine must be positioned in the frame in an identical position and manner to that of the original motor scooter.

15.16 INDUCTION SYSTEMS

- 1 For Standard Class Machines any form of carburation may be used but changes to the method of induction (i.e. use of reed or rotary valves unless originally fitted) are not permitted. The use of fuel injection or forced induction (see Regulation 15.17) is prohibited.

- 2 For Special Scooters any form of induction system may be used with the exception of forced induction (see Regulation 15.17), which is prohibited.

15.17 FORCED INDUCTION

An engine shall be considered as having Forced Induction when in respect of one engine cycle, the total volume of gaseous mixture induced exceeds the capacity, measured geometrically, of the engine working cylinder(s). The intra-cylinder injection of fuel shall not be considered as forced induction.

15.18 FUEL

Will be a maximum of a 100 ll octane. The use of power boosters and/or octane boosters is specifically prohibited.

15.19 EXHAUST SYSTEMS

- 1 The exhaust systems must fulfil all the current ACU requirements concerning noise control.
- 2 The systems must be constructed in a manner not prejudicial to the safety of the driver or any other competitor or official and be mounted in a safe manner.
- 3 Exhaust fumes must not be discharged in a manner as to raise dust, foul the tyres or brakes or inconvenience any other driver.
- 4 The furthest extremity of any exhaust pipe must not project beyond any part of the machine or its bodywork or streamlining; nor must the end of any exhaust pipe point upwards or downwards at an angle greater than 10° from the horizontal.
- 5 For Standard Class Machines exhaust systems must be basically fitted in the standard position and follow the original routing. The use of variable exhaust valves on expansion systems is prohibited.
- 6 For Special Scooters where high-level exhaust systems are used they must have an adequate heat shield fitted to prevent contact with the systems by the driver in normal driving position and also by the driver or others in the event of an accident.

15.20 FUEL TANK

- 1 All fuel tanks must be provided with a securely fitted filler cap fitted in such a way that it does not protrude from the bodywork and cannot be torn off in an accident.
- 2 A fuel feed tap must be fitted in an easily accessible position and be prominently marked to indicate the "OFF" position.
- 3 Any fuel tank breather pipe must be fitted with a non-return valve and must discharge into a leak-proof catch tank having a minimum capacity of 500 ml, which must be empty at technical control.
- 4 All fuel pipes must be adequately secured.
- 5 For Standard Class Machines the fuel tank shall remain as the manufacturer's original specification.
- 6 For Special Scooters fuel tank(s) must be soundly constructed, entirely of metal.

15.21 OIL DRAIN/FILLER PLUGS AND CATCH TANKS

- 1 All oil drain, level and filler plugs must be tight and drilled and wired in position.
- 2 Any oil breather pipe fitted must discharge into a catch tank mounted in an easily accessible position and having a minimum capacity of 500 ml.
- 3 The catch tank must be empty at technical control.

15.22 STEERING

- 1 Steering shall be through the front wheel only by means of non-adjustable handlebars securely fixed to the steering head of the motor scooter and having a MINIMUM overall width of 510 mm.

- 2 The angle of rotation of the handlebars, measured horizontally at ground level to each side of a straight ahead position, must be a MINIMUM of 20° and steering stops must be fitted to limit angular movement to a MAXIMUM of 65° and/or to allow a MINIMUM clear space of 25 mm between the handlebars and any part of the bodywork, streamlining, tank or similar attachments.
- 3 Whatever the position of the handlebars and suspension no part of the front wheel or forks must pass within 20 mm of any bodywork or streamlining.
- 4 For Standard Class Machines alterations to cast handlebar assemblies are prohibited except as provided in Regulation 4 above, and for Lambretta Vega and Luna type machines where lowering of the handlebar grips is permitted providing the grips remain in the same horizontal and vertical planes relative to the ground and they are fixed to the original casting base.

15.23 WHEELS AND TYRES

- 1 All wheels and hubs must be of metal construction and the rim diameter must not exceed 407mm. Only treaded tyres designed and manufactured as suitable for use on motor scooters will be permitted. At technical control all tyres must have a minimum depth of tread of 1.6 mm across the entire original tread area.
- 2 The use of recut moulded tyres or any non-skid attachment to tyres is prohibited.
- 3 For Standard Class Machines wheels must be as manufacturer's original specification and tyres must not deviate from original specification section by more than 13mm.

15.24 SUSPENSION

- 1 For Standard Class Machines all suspension links, legs, yokes, swing arm or other similar component of the rear suspension assembly shall remain as manufacturer's original specification. However, anti-dive systems are permitted for use on the front.
- 2 Springs, dampers and "suspension units" may be replaced with non-original components but must be mounted in a manner identical to that of the original component.

15.25 BRAKES

- 1 The braking system must consist of two efficient brakes operated independently, one on each of the two road wheels.
- 2 For Standard Class Machines brakes must be as manufacturer's original specification except that the method of operation may be changed. (i.e. the Lambretta cable operated cam may only be replaced with a single piston hydraulic cylinder.
- 3 Two brake pads of a diameter not exceeding 40mm, must be used. In addition an original style static housing must also be used).
- 4 External Disc Brake – The use of external single hydraulic disc will be allowed for group 4 machines. The hub must be original to the scooter or specifically manufactured for the scooter (Lambretta or Vespa) e.g. SCOOT RS type for Lambretta and PX type for Vespas. The specification of these items can not be changed for a bigger disc, or different calliper type or size. The addition of an Anti Dive unit and the use of different pads will be allowed but they must keep the same surface area. No variation from these brakes will be allowed.

15.26 MUDGUARDS

- 1 For Special Scooters mudguards are not compulsory. Where fitted they must be adequate for the purpose, properly and safely constructed, and securely mounted.
- 2 For Standard Class Machines mudguards are not compulsory except where they form part of the external bodywork and are required to be fitted in accordance with Regulation 4 above. Where optional mudguards are fitted they must be adequate for the purpose, properly and safely constructed, and securely mounted.

15.27 ELECTRICAL SYSTEMS AND BATTERY

- 1 All vehicles must be fitted with an easily accessible ignition switch, mounted in the vicinity of the handlebar/headset and within a radius of 200mm of the centre line of the top of the fork stem.
- 2 Switches must be of a positive locking type in both the on and off positions and when in the "OFF" position must not allow the engine to run.
- 3 The "OFF" position of all switches must be prominently marked in capital letters of at least 10mm in height with dark coloured letters on a light background and vice versa.
- 4 Batteries, if fitted, must be of the leak-proof type.

15.28 THROTTLE CONTROLS

Throttle controls must be self-closing when not held by the hand.

15.29 CONTROL LEVERS

- 1 All handlebar levers must be ball ended, the ball to be at least 19 mm in diameter and to be a permanently fixed integral part of the lever.
- 2 Each control lever (both hand and foot) must be mounted on an independent pivot.
- 3 Handlebar grips must be securely fixed to the ends of the handlebars.

SECTION 16 TECHNICAL SPECIFICATIONS FOR "AUTOMATIC" SOLO MOTORSCOOTERS

Unless specifically mentioned in these Regulations the Standing Regulations for Solo Motor Scooters for use in all Road Race Sprints and Hill Climb shall apply.

Note: please refer to the ACU website for any changes to these scooter standing regulations for 2010.

16.1 INTRODUCTION

These regulations specify the requirements for construction of "Automatic" Class Solo Motor scooters for use in Road Races, Sprints and Hill Climbs.

16.2 DEFINITIONS

- 1 An "Automatic" Class Solo Motor scooter is a two-wheeled motor vehicle upon which the driver may sit on a seat and have free and open space in front of the seat for passage of their legs, with the following additional characteristics and exceptions:
 1. The minimum size of the space forward of the seat must be a regular or irregular trapezium with its top measuring 250 mm along a line projected forward from the top of the seat and parallel with a line drawn through the centres of the two road wheels and measured from the front extremity of the seat towards the steering column. Its depth Vertically downwards must not be less than 250 mm and its base not less than 100mm. The minimum space must be clear at all times of any obstruction of a permanent or temporary nature.
 2. The rim diameter of any road wheel shall not exceed 356mm (14 inches).
 3. It must have a starting device. The electrical and lighting equipment, if fitted, must conform to the International Convention of Road Vehicles.
 4. It must have a body and leg shields in the form of an apron, which must have a width, and length of not less than 400 mm The footrests must be of the platform type and not less than 250 mm in length and 300 mm in width overall.
 5. It shall have been manufactured by a manufacturer recognised by the ACU and not less than one hundred machines of that type equipped with the manufacturer's original or optional equipment must have been made and sold. An Accountant's Certificate will be required as proof.
 6. In cases of doubt the matter shall be referred to the Technical Committee.

7. Exceptions – In the instances of scooter-based machines that do not offer a specific trapezium other characteristics will determine suitability. Those characteristics will be wheel/tyre sizes and engine layout/specification. The Gilera Runner series of scooters and the Gilera DNA are acceptable in the specific classes of their engine capacity and are suitable for use in the BSSO Championships.

16.3 ENGINE CAPACITY

- 1 The class limits are set out in these regulations and each machine can be used in a class to suit the capacity of the engine.
- 2 There are NO lower class limits; therefore smaller class machines may be used in larger capacity classes.
- 3 Aftermarket performance kits may be used if specifically designed for the engine concerned, as long as it is commercially available to all competitors
- 4 The stroke must remain absolutely as the manufacturer's original specification.

16.4 IGNITION (STARTER AND FLYWHEEL)

Replacement of the Original by parts from aftermarket manufactures is allowed, on the condition that all parts are commercially available to all competitors.

16.5 SEAT

The replacement may be made providing no other parts are removed and the original attachments are employed.

16.6 SPECIFICATIONS

The replacement, removal or modification of the following parts of the scooter as listed in points 1. and 2. below is absolutely forbidden.

- 1 Engine and Drive Unit
 1. Complete crankcase – except as noted in 3.4 below
 2. Induction system – the fuel feeding system of the engine must remain absolutely mono – carburettor
 3. Automatic clutch which must be working – except as noted in 3.5 below
- 2 Frame Wheels and Bodywork
 1. Frame (complete carrying structure)
 2. Wheel Rims (front and rear, sizes and materials)
 3. Handlebars (position, height, width)
 4. Petrol tank
 5. External body assembly (plastic parts included) – (with the exceptions to allow cooling for engine unit)
 6. Mudguards (front and rear) – (where fitted from new)
 7. Connections and working system of the rear shock absorber
- 3 Modifications may be made to other parts of the motor scooter, subject to the following restrictions:
 1. The system of introducing fuel into the engine must be as used by the original engine unit. Where the original system is by Fuel Injection (aka Aprilia Di-Tech), it is allowed to convert to a carburettor system. In all Automatic classes there are no restrictions on the maximum size of carb that can be used.
 2. Magneto: the magneto of the ignition can be of a type without an RPM limit-switch; the use of variable advance type is permitted.
 3. Exhaust Ports: The use of a shutter valve (power valve) on the exhaust port is forbidden.
 4. Crankcase: The removal of some material is allowed whereas the addition of any material is forbidden.

5. Clutch: The replacement of the springs and of the friction material is permitted and original or aftermarket equipment may be fitted as long as it is commercially available to all competitors. It is also allowed to lighten or to modify the clutch set.
6. Exhaust Systems: The exhaust system need not necessarily be the original one but it must fulfil all the current ACU requirements concerning noise control. The system must be constructed in a manner not prejudicial to the safety of the driver, any other competitor or official, and be mounted in a safe manner. Exhaust fumes must not be discharged in a manner as to raise dust, foul the tyres or brakes or inconvenience any other driver. The furthest extremity of any exhaust pipe must not project beyond any part of the machine or its bodywork; nor must the end of any exhaust pipe point upwards or downwards at an angle greater than 10° from the horizontal.
7. Flywheel Cover: removal is forbidden; however it is possible to modify it to improve the engine cooling system. You may replace it with an aftermarket part as long as it is commercially available to all competitors.
8. Variator Cover: the modification of this component is allowed in order to improve the cooling of the variator, unless such a modification exists on the original part or on a component of the manufacturer of the vehicle. You may replace it with an aftermarket part as long as it is commercially available to all competitors.
9. Cover: the modification of this component is allowed in order to improve the cooling of the clutch set. You may replace it with an aftermarket part as long as it is commercially available to all competitors.
10. Engine Cooling: an improvement of the engine cooling is allowed unless it changes the original system (liquid or air-cooled); the use of both of these systems at the same time is forbidden.
11. Replaceable Parts: all replaceable parts (apart from the exhaust system) must not be unique (prototype) parts; they must be mass-production items and must be found in the manufacturers catalogues.
12. In all instances all alterations must be made with safety in mind. If any such alteration is deemed dangerous then steps must be taken to alter the modifications to a safe state.

16.7 WEIGHT

The total weight of the vehicle (including fuel) must not be less than 65 Kg.

16.8 PROJECTIONS

There shall be as few sharp projections as possible. Where there are projections, they must be covered in such a way as to prevent injury, occasioned by accidental contact, to the driver. All tubular ends must be securely fitted with rounded ends. All racks, spare wheels, prop-stands, crash bars and mirrors must be removed.

16.9 GLASS/PLASTIC LENSES

All glass or plastic in lights and on instruments must be securely taped to retain it in place in the event of breakage. Speedo and rev counter faces should be covered with transparent plastic sheet or tape.

16.10 FUEL

Will be a maximum of a 100 l octane. No additives other than normal lubricants are permitted. The use of power boosters and/or octane boosters is specifically prohibited.

16.11 FUEL FEED TAPS

If a manual fuel feed tap is used, then it must be prominently marked to indicate the "OFF" position.

16.12 TYRES

- 1 Only commercially available treaded tyres of good quality designed and manufactured as suitable for use on the wheel rims of the vehicle will be permitted.
- 2 At technical control all tyres must have a minimum depth of tread of 1.6mm across the entire original tread area.
- 3 The use of Agricultural, Industrial, "Slick" and recut moulded tyres is prohibited.

16.13 BRAKES

The brake disc, pads and calliper, may be replaced with alternative aftermarket items specifically designed for the machine in question, as long as the items concerned are commercially available to all competitors.

16.14 IGNITION SWITCHES AND BATTERY

All vehicles must be fitted with an easily accessible ignition switch/key which must be prominently marked to indicate the "OFF" position in capital letters of at least 10mm in height with dark coloured letters on a light background and vice versa. Batteries, fitted, must be of the leak-proof type.

SECTION 17 TECHNICAL REGULATIONS FOR PRODUCTION CLASS SOLO MOTORSCOOTERS

Unless specifically mentioned in these Regulations the Standing Regulations for Solo Motor Scooters for use in Road Race, Sprints and Hill Climb shall apply

Note: please refer to the ACU website for any changes to these scooter standing regulations for 2010.

17.1 INTRODUCTION

These Regulations specify the requirements for construction of Production Class Solo Motor scooters for use in Road Races, Sprints and Hill Climbs.

17.2 GENERAL

The regulations detailed below are applicable to ALL Production Class Solo Motor scooters.

17.3 BASIC SPECIFICATION

Motor scooters must be as manufacturer's original specification except for the modifications detailed below. No other alterations, modifications or changes from manufacturer's original specification will be permitted.

17.4 SEATING

Any type of seating may be used provided it is properly padded and securely fitted in place, but it shall not extend beyond the rear of the bodywork of the machine unless so positioned in the manufacturer's original specification. No part of the seat must be more than 900 mm above the ground when the motor scooter is not loaded.

17.5 GLASS/PLASTIC LENSES

All glass or plastic in lights and on instruments must be securely taped to retain it in place in the event of breakage. Speedo and rev counter faces should be covered with transparent plastic sheet or tape.

17.6 IGNITION SYSTEM

The ignition system must be of the manufacturer's original type for the motor scooter. The timing position may be altered. NO other modifications will be permitted.

17.7 GEARING

The gear casing, gearbox and gear cluster must be as manufacturer's original specification. NO modifications will be permitted.

17.8 INDUCTION SYSTEM

The induction system must be of manufacturer's original type for the motor scooter. NO increase in internal bore will be permitted. Jetting may be altered.

17.9 BORE AND STROKE

The bore and stroke of the motor scooter must be clearly marked in letters and numbers at least 10mm in height, on the right hand side rear competition number plate.

17.10 FUEL

Fuel must be a commercial brand of UNLEADED petrol as supplied from a wayside pump. No additives other than normal lubricants are permitted. The use of power boosters and/or octane boosters is specifically prohibited.

17.11 FUEL FEED TAPS

The fuel feed tap must be prominently marked to indicate the "OFF" position.

17.12 TYRES

Only commercially available treaded tyres of good quality designed and manufactured as suitable for use on motor scooters will be permitted. At technical control all tyres must have a minimum depth of tread of 1.6mm across the entire original tread area. The use of Agricultural, Industrial, "Slick" and recut-moulded tyres is prohibited.

17.13 FRONT SUSPENSION

Anti-dive systems are permitted in all solo standard classes.

SECTION 18 TECHNICAL SPECIFICATIONS FOR STREET CLASS SOLO MOTORSCOOTERS

Unless specifically mentioned in these Regulations the Standing Regulations for Solo Motor Scooters for use in Road Race, Sprints and Hill Climb shall apply

Note: please refer to the ACU website for any changes to these scooter standing regulations for 2010.

18.1 INTRODUCTION

These Regulations specify the requirements for construction of "Street Class" Solo Motor scooters for use in Road Races, Sprints and Hill Climbs.

18.2 GENERAL

The regulations detailed below are applicable to ALL "Street Class" Solo Motor scooters.

18.3 BASIC SPECIFICATION

Motor scooters must be in full compliance with all current legal requirements for use on the public highway and must have a current vehicle excise (Road Tax) licence and, where required, a current DTP Test Certificate.

18.4 SEATING

Any type of seating may be used provided it is properly padded and securely fitted in place, but it shall not extend beyond the rear of the bodywork of the machine unless so positioned in the

manufacturer's original specification. No part of the seat must be more than 900 mm above the ground when the motor scooter is not loaded.

18.5 GLASS/PLASTIC LENSES

All glass or plastic in lights and on instruments must be securely taped to retain it in place in the event of breakage. Speedo and rev counter faces should be covered with transparent plastic sheet or tape.

18.6 FUEL

Fuel must be a commercial brand of UNLEADED petrol as supplied from a wayside pump. No additives other than normal lubricants are permitted. The use of power boosters and/or octane boosters is specifically prohibited.

18.7 FUEL FEED TAPS

The fuel feed tap must be prominently marked to indicate the "OFF" position.

18.8 OIL DRAIN/FILLER PLUGS

All oil drain, level and filler plugs must be tight and drilled and wired in position.

18.9 TYRES

Only commercially available treaded tyres of good quality designed and manufactured as suitable for use on motor scooters and for use on the public highway will be permitted. At technical control all tyres must have a minimum depth of tread of 1.6mm across the entire original tread area. The use of Agricultural, Industrial, "Slick" and recut-moulded tyres is prohibited.

18.10 BRAKES

The standard braking system must consist of two efficient brakes operated independently, one on each of the two road wheels.

18.11 FRONT SUSPENSION

Anti-dive systems are permitted in all solo standard classes.

SECTION 19 TECHNICAL SPECIFICATIONS FOR MOTORSCOOTER COMBINATIONS (GROUP 7)

Note: please refer to the ACU website for any changes to these scooter standing regulations for 2010.

19.1 INTRODUCTION

These Regulations specify the requirements for construction of Motor scooter Combinations for use in Road Races, Sprints and Hill Climbs.

19.2 GENERAL

- 1 The sidecar must be placed on the left side of the motor scooter and the three road wheels must be disposed to give two tracks.
- 2 Hinged sidecars and steerable sidecar wheels are forbidden.
- 3 Neither the driver nor the passenger may be attached to the machine.

19.3 CONSTRUCTION

- 1 The frame must employ as part of its construction, the original type of engine fixing into the chassis giving effective support to the engine.
- 2 The remainder of the frame must be constructed of good quality seamless drawn steel tube of

a circular or non-circular section, welded or brazed together. If circular, the outside diameter shall not exceed 100mm, if non-circular, the maximum cross section shall not exceed 100mm measured at right angles to any flat face.

- 3 The above does not restrict the swinging arm.
- 4 Reinforcement of the steering head is allowed to a maximum of 230mm from the centre line of the steering head.
- 5 Monocoque construction is forbidden.
- 6 The use of composite construction is forbidden with the exception of the sidecar platform. (i.e. Aluminium or carbon fibre skinned honeycomb).
- 7 The use of TITANIUM and similar "exotic" metals is forbidden in the construction of the frame, front forks, handlebars, swinging arm and wheel spindles. The use of light alloys is forbidden for wheel spindles.

19.4 DIMENSIONS

Weight: The MINIMUM weight, without fuel, shall be 130kg. The use of ballast to reach this weight is forbidden.

Width: The overall MAXIMUM shall be 1700mm.

Wheelbase: The MAXIMUM shall be 1650mm.

Track: The MINIMUM shall be 760mm. The distance is measured from the centre of the track left by the rear wheel to the centre of the track left by the sidecar wheel.

Ground Clearance: The MINIMUM clear space to be maintained beneath the entire under surface of the machine when loaded with fuel, driver and passenger is 65mm.

19.5 STREAMLINING AND BODYWORK

- 1 The streamlining must be easily detachable for technical control and be so designed and fitted to allow complete liberty of movement to the driver and passenger when the vehicle is in motion and when getting on and off the vehicle, without any part of it having to be displaced.
- 2 Aerofoils or spoilers are not permitted.
- 3 Rear view mirrors are forbidden.
- 4 A solid and effective protection must be fitted between the driver and the engine and must prevent direct contact between the driver's body or clothing and escaping flames or leaking fuel or oil.
- 5 Any type of seating may be used provided it is properly padded and securely fitted in place.
- 6 The extreme forward part of the streamlining must not project forward in plan beyond the most forward part of the front tyre by more than 400mm.
- 7 The extreme rearward part of the streamlining must not project rearward in plan beyond the most rearward part of the rear tyre by more than 400mm.
- 8 Whatever the position of the handlebars, there must be a clear space of at least 20mm between the streamlining and the extremities of the handlebars, including any attachments thereto, and a clear space of at least 20mm between the streamlining and any other part of the steering mechanism or front wheel.

19.6 PROJECTIONS

- 1 There shall be as few sharp projections as possible. Where there are projections, they must be covered in such a way as to prevent injury, occasioned by accidental contact, to the driver and passenger.
- 2 All tubular ends must be securely fitted with rounded ends.

19.7 DRIVE GUARD

An adequate guard must be fitted to prevent the drive being accidentally touched. Drive chains must be guarded from sprocket to sprocket.

19.8 GLASS

All glass in lights and on instruments must be securely taped to retain it in place in the event of breakage.

19.9 AIR INTAKES

Cooling air intakes must be so constructed that there is NO forward projection/protrusion to catch or foul in the event of an accident.

19.10 ENGINE AND DRIVE UNITS

- 1 The engine and drive unit must have originated from a motor scooter and the drive must be transmitted to the road through the rear wheel of the motor scooter.
- 2 The unit shall be properly and safely finished with all necessary studs, nuts, bolts and washers securely fitted. There shall be no evidence of oil leaks. THE MAXIMUM PERMITTED ENGINE CAPACITY IS 260 cc.
- 3 Any modifications made must not prejudice the safety of the driver, any other competitor or official and must be within the following parameters for the parts specified:
 - Cylinder Barrel(s) and Crankcase
 1. In regard to shape, size, configuration, position and number of ports, and external appearance, materials and method of manufacture, the cylinder barrel(s) must have originally conformed to the manufacturer's original specification (though not necessarily produced by the original manufacturer) or be included in the ACU list of approved kit barrels.
 2. The bore size of a cylinder may be increased by no more than 10mm.
 3. The cylinder used must have been originally designed for the engine type, must retain the original method and position of fitting and both the cylinder and the crankcase must retain the centres of the original stud holes used for bolting the cylinder to the crankcase. It must therefore be possible, with the exception of interference from a modified cylinder spigot, to fit the cylinder to a standard crank casing as produced by the original manufacturer of the engine unit used.
 4. The crankcase to cylinder gasket face must be parallel to that of the original crankcase.
 5. The crank casing must retain the original mounting points for support within the frame and the principal external dimensions must remain as manufacturer's original specification.
 6. Any modification to the crank casing to permit usage of modified original type crankshaft assemblies will not be permitted if the modification is so extensive as to preclude the fitting of the standard crankshaft as produced by the original manufacturer of the engine unit used.
 7. Modifications may be made to facilitate the use of water-cooling but the engine must comprise a single unit.
 8. Liquid cooling, or any other modification, to the cylinder will not be permitted if the modification is so extensive as to preclude identification of the origin of the cylinder.
- 4 GEARCASE/GEARBOX – The gearcase must be basically as the manufacturer's original specification. Modifications may be made to the number of drive ratios, the ratios themselves and to the gears. Alterations to the gear casing will not be permitted if the modification is so extensive as to preclude the fitting of a standard gear set as produced by the original manufacturer of the engine unit used.

Note: For the purposes of this Regulation, the 'engine' is deemed to comprise the cylinder barrel(s), crankcase and all internal components within these units.

19.11 ENGINE POSITION

The engine must be positioned behind the steering head and in front of the rear wheel and be so located that the centre line of the engine (by definition, a position midway between the centre lines of outermost cylinders) is no more than 160mm from the centre line of the rear wheel of the motor scooter.

19.12 INDUCTION SYSTEMS

Any form of induction system may be used with the exception of forced induction (see 13 below), which is prohibited.

19.13 FORCED INDUCTION

An engine shall be considered as having Forced Induction when in respect of one engine cycle, the total volume of gaseous mixture induced exceeds the capacity, measured geometrically, of the engine working cylinder(s). The intra-cylinder injection of fuel shall not be considered as forced induction.

19.14 FUEL

Fuel will be a maximum of a 100 ll octane. The use of power boosters and/or octane boosters is specifically prohibited

19.15 EXHAUST SYSTEMS

- 1 The exhaust systems must fulfil all the current ACU requirements concerning noise control.
- 2 The systems must be constructed in a manner not prejudicial to the safety of the driver, the passenger, or any other competitor or official. Exhaust fumes must not be discharged so as to raise dust, foul the tyres or brakes or inconvenience a passenger or any other driver.
- 3 The furthest extremity of any exhaust system must not project beyond any part of the machine or its bodywork or streamlining; nor must the end of any exhaust pipe point upwards or downwards at an angle greater than 10° from the horizontal.

19.16 FUEL TANK

- 1 The fuel tank(s) must be soundly constructed, entirely of metal, with a securely fitted filler cap, and sufficiently independently protected from the ground. The fuel filler cap must be fitted in such a way that it does not protrude from the fairing and cannot be torn off in an accident.
- 2 A fuel feed tap must be fitted in an easily accessible position and be prominently marked to indicate the "OFF" position.
- 3 Any fuel tank breather pipe must be fitted with a non-return valve and must discharge into a leak-proof catch tank having a minimum capacity of 500 ml, which must be empty at technical control. All fuel pipes must be adequately secured.

19.17 OIL DRAIN/FILLER PLUGS AND CATCH TANKS

- 1 All oil drain, level and filler plugs must be tight and drilled and wired in position.
- 2 Any oil breather pipe fitted must discharge into a catch tank mounted in an easily accessible position and having a minimum capacity of 500 ml.
- 3 The catch tank must be empty at technical control.

19.18 STEERING

- 1 Steering shall be through the front wheel only by means of handlebars firmly secured to steering members turning the front wheel and its supports directly with no intermediate push or pull rods.
- 2 Hub centre steering, remote steering linkages and the use of articulated joints in the steering mechanism are not permitted. By definition an articulated joint is one allowing movement in more than one plane.
- 3 Handlebars and all steering bearings must be located on the sprung portion of the front suspension. The extreme width of the handlebars must be not less than 450mm.
- 4 The minimum angle of rotation of the handlebars, each side of a straight ahead position and measured horizontally at ground level, is to be 30° and stops must be fitted in order to limit angular movement to 65° and to allow a minimum of 20mm clearance between the handlebars and any tank, similar attachments or streamlining.

- 5 Whatever the position of the handlebars and suspension no part of the front wheel or forks must pass within 20mm of any bodywork or streamlining.
- 6 It is permissible to displace the steering head up to a maximum of 75mm determined by measuring the offset from the centre line of the rear wheel.

19.19 WHEELS AND TYRES

- 1 All wheels must be of metal construction and be within an allowance of 5° from the vertical.
- 2 The diameter of any fully inflated tyre, measured over the outside of the tyre, shall be NOT LESS THAN 407mm and NOT MORE THAN 560mm.
- 3 At technical control ALL moulded tread tyres must have a minimum depth of tread of 1.6mm across the entire original tread area. Recut moulded tyres are not permitted.
- 4 When conditions permit, slick (untreaded) tyres may be used and these may be professionally grooved. The surface of the slick tyre must contain three or more hollows at 120-degree intervals or less, indicating the limit of wear on the centre and shoulder areas of the tyre. When at least two of these indicator hollows become worn on different parts of the periphery, the tyre must no longer be used.
- 5 Intermediate Pattern Tyres. For wet weather conditions which call for a “TREADED” tyre other than a full “WET” tyre, an “INTERMEDIATE” pattern tyre must be used. The tyre pattern must be professionally cut and consist of a minimum of three circumferential grooves each 0.18 inches in width. The depth may be cut to show the canvas, but must never sever the canvas fibres.

Note: At technical control the surface of the tyre must contain three or more hollow “WEAR” indicators at 120 degree intervals indicating the limit of wear across the tread area.

One groove must be cut in the centre of the tread area, with the remaining grooves located equi-distant between the centre groove and the edge of the tread area.

In addition to the circumferential groove, “SLITS” across the tread area must be cut from each groove, 0.18 inches in width, 0.4 inches minimum in length. Spacing must be equi-distant around the periphery of the tyre and no more than 3 inches apart.

To give inter groove relationship between the “SLITS”; their position must be staggered.

The margin of tyre surface between the ends of the opposed “SLITS” must be no greater than 0.60 inches.

See FIGURE 1 for example calculation and a diagrammatic explanation of the above dimensions.

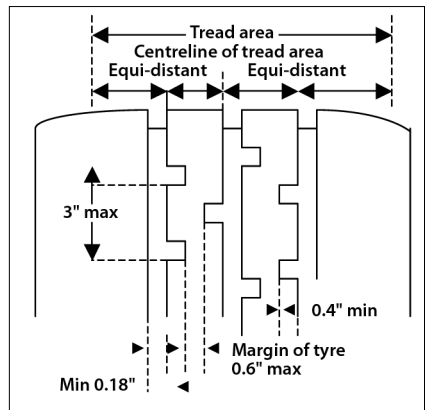


Figure 1

6.2 inches × 13 inches “SLICK” tyre with a rolling diameter of 19.8 inches

$$\frac{TTD}{3} = \frac{3.142 \times 19.8}{3} = \frac{62.203}{3} = 20.734$$

19.20 FRONT SUSPENSIONS

The front suspension is to be either a leading or trailing fork, or links, with the wheel equally supported on each side. Wishbones are not permitted.

19.21 REAR SUSPENSION

The rear suspension, if fitted, is to be of the swinging arm type. A single sided swinging arm is allowed.

19.22 BRAKES

The braking system must consist of at least two brakes operated independently on the front and rear road wheels, each giving complete control. Braking of the sidecar wheel is optional.

19.23 MUDGUARDS AND WHEEL PROTECTION

- 1 The rear wheel mudguard must cover at least 240 degrees of the rear wheel. The side nearest to the sidecar wheel must be enclosed.
- 2 The sidecar wheel must be enclosed from the sidecar platform and level with the sidecar platform around the periphery.
- 3 For rear exit sidecars the sidecar wheel must be totally enclosed down to platform level.

19.24 DRIVER

- 1 The driver in the normal driving position must be completely visible, with the exception of his forearms and lower legs, from the side opposite to the sidecar and from above.
- 2 It is forbidden for the driver's legs to be enclosed. The driver's position must be such that the driver's feet are positioned behind the knees when viewed from above and the footrests so designed and positioned that easy access is always available to any control pedal.

19.25 PASSENGER

The passenger must be able to lean out to either side of the sidecar. For this purpose the vehicle must be fitted with suitable handholds, which must be of the "closed loop" type.

19.26 ELECTRICAL SYSTEMS AND BATTERY

- 1 All vehicles must be fitted with an easily accessible ignition switch, mounted in the vicinity of the handlebar/headset and within a radius of 200mm of the centre line of the top of the fork stem.
- 2 Switches must be of a positive locking type in both the on and off positions and when in the "OFF" position must not allow the engine to run. The "OFF" position of all switches must be prominently marked in capital letters of at least 10mm in height with dark coloured letters on a light background and vice versa.
- 3 Any electric fuel feed pump must be wired in such a way as to cut out when the ignition switch is in the "OFF" position.
- 4 Batteries, if fitted, must be of the leak-proof type.

19.27 THROTTLE CONTROLS

Throttle controls must be self-closing when not held by the hand.

19.28 CONTROL LEVERS

- 1 All handlebar levers must be ball ended, the ball to be at least 19 mm in diameter and to be a permanently fixed integral part of the lever.
- 2 Each control lever (both hand and foot) must be mounted on an independent pivot.
- 3 Handlebar grips must be securely fixed to the ends of the handlebars.

SECTION 20 TECHNICAL SPECIFICATIONS FOR FORMULA 125 MOTORSCOOTER COMBINATIONS

Unless specifically mentioned in these Regulations the Standing Regulations for the construction of Group 7 Motor Scooter Regulations detailed above shall apply.

Note: please refer to the ACU website for any changes to these scooter standing regulations for 2010.

20.1 CONSTRUCTION

- 1 The frame must be of good quality drawn steel tube of circular or non-circular section, welded or brazed together. If circular the outside diameter must not exceed 100mm. If non-circular the maximum cross section shall not exceed 150mm. measured at right angles to any flat surface.
- 2 The above does not restrict the swinging arm. The use of composite construction is forbidden with the exception of the sidecar platform, i.e. Aluminium or carbon fibre honeycomb.
- 3 The use of Titanium or other similar 'exotic' materials in the construction of the frame, forks, handlebars, swinging arm and wheel spindles is forbidden.

20.2 DIMENSIONS

Width: The overall maximum shall be 1524mm (60") measured over the extremities of the streamlining.

Wheelbase: The maximum shall be 1829mm (72") measured between the centres of the front and rear wheels.

Track: The minimum shall be 760mm. The maximum shall be 1170mm. The track being the distance measured between the rear and sidecar wheel, the point of measurement being at right angles to a line drawn between the centre line of the front and rear wheels of the combination and a line at right angles passing through the sidecar wheel.

Ground clearance: The minimum clear space to be maintained beneath the entire under surface of the machine when loaded with fuel, driver and passenger must be 65mm.

20.3 STREAMLINING AND BODYWORK

- 1 This must be easily detachable for technical control purposes and be so designed and fitted to allow complete liberty of movement to the driver and passenger when the vehicle is in motion and when getting on and off the vehicle without any part of the streamlining being displaced.
- 2 Fairings and Rear view mirrors are allowed.
- 3 A solid and effective protection must be fitted between the driver and the engine to prevent direct contact between the driver's body or clothing from escaping flames or leaking oil.
- 4 Any type of seating may be used provided it is properly padded and securely fitted in place.
- 5 The extreme forward part of any streamlining must not project forward in plan beyond the most forward part of the front tyre by more than 400mm.
- 6 The extreme rearward part of the streamlining must not project rearward in plan beyond the most rearward part of the rear tyre by more than 400mm.

20.4 DRIVEGUARDS

A metal guard must be fitted to prevent accidental contact with the chain or sprocket. Drive chains must be guarded from sprocket to sprocket.

20.5 ENGINE AND DRIVE UNITS

- 1 Permitted engine: 125cc. i.e. Aprillia
- 2 Drive must be transmitted to the road through the rear wheel of the machine.
- 3 The engine unit must be properly and safely finished, all studs, bolts, nuts and washers fitted securely in place.
- 4 There shall be no evidence of oil leaks.
- 5 Any modifications made to the engine unit must not prejudice the safety of the driver and passenger or other competitor or official and must be within the specifications of the engine and drive unit regulations.
- 6 Cylinder Barrel and Crankcase
 1. In regard to the shape, size, configuration, position and number of sports, external appearance, materials and manufacture, the cylinder barrel must conform to the manufacturers original specification (though not necessarily produced by the same manufacturer).

2. The bore size of a cylinder may be increased.
3. The cylinder used, must have been originally designed for the engine type, must retain the original method and position of fixing, (the number and position of studs in the crankcase at the gasket face must be as manufacturers original specification).
4. The crankcase to cylinder gasket face must be parallel to that of the original crankcase. The crankcase porting may be altered.
5. The crankcase must retain the original mounting points, which must be used to support the engine in the frame.
External dimensions of the crankcase must remain as manufacturers original specification.
6. The Crankshaft must remain as the manufacturers original specification, although the connecting rod may be modified or substituted.
7. Alternative pistons may be used to change the characteristics of the engine. The cylinder barrel gasket faces may be machined to allow for the difference in compression height of the piston used.
8. Liquid cooling of the engine case will not be permitted.

20.6 ENGINE POSITION

The engine must be positioned between the steering headstock and the rear wheel.

20.7 INDUCTION SYSTEMS

Any form of induction system may be used with the exception of superchargers.

20.8 FUEL – UNLEADED

- 1 A fuel tank with a breather pipe must be fitted with a non-return valve and discharge into a minimum of 500ml. catch bottle.
- 2 Fuel must be commercially available brand of petrol, as supplied from a wayside petrol station. (Aviation fuel, Avgas, is not included).
- 3 No additives other than lubricants are permitted, (power boosters, octane boosters are prohibited).

20.9 STEERING

- 1 Steering will be through the front wheel only, by means of handlebars with a minimum width of 450mm.
- 2 The minimum angle of rotation of the handlebars each side of the straight-ahead position must be 30o, stops must be fitted to limit the angular movement of the handlebars to 65o. Whatever the position of the handlebars and suspension, no part of the front wheel or forks must pass within 20mm. of any bodywork or streamlining.
- 3 It is permissible to displace the steering head up to a maximum of 75mm. determined by measuring the offset from the centre line of the rear wheel.
- 4 Machines with offset steering heads must maintain two tracks.

20.10 WHEELS & TYRES

- 1 All wheels rims must be of metal construction and a maximum diameter of 407mm.
- 2 The wheel when fitted in position must rotate within 5° of the vertical plane.
- 3 At technical control all moulded treaded tyre must have a minimum of 1.6mm. of tread across the entire original tread area. (recut moulded tyre are not permitted).
- 4 Sidecar wheels may be Kart type 'slick' tyre, the surface of the tyre must contain three or more wear indicators positioned at 120o around the tyre circumference.
- 5 When at least two of these become worn on different parts of the tyre, the tyre may no longer be used.
- 6 Wheel spindles must pass through the fork legs /swinging arm assemblies which must provide

a positive location for the spindle when assembled, split pin locking and/or nylon locking nuts must be used to prevent the axle coming lose.

20.11 REAR SUSPENSION

1 The rear suspension, if fitted is to be the swinging arm type. Movement of the arm i.e. for the purpose of chain adjustment can be by means of eccentric cams.

Note: any adjustment used must not allow the wheelbase to exceed the maximum permitted dimension.

SECTION 21 TECHNICAL SPECIFICATIONS FOR CLASSIC (GROUP 8) MOTORSCOOTER COMBINATIONS

Unless specifically mentioned in these Regulations the Standing Regulations for the construction of (Group 7) Motor Scooter Regulations detailed above shall apply.

Note: please refer to the ACU website for any changes to these scooter standing regulations for 2010.

21.1 INTRODUCTION

These Regulations specify the requirements for construction of Classic Motor scooter Combinations for use in Road Races, Sprints and Hill Climbs.

21.2 CONSTRUCTION

- 1 The chassis must incorporate, as an integral part, the complete Lambretta spine frame including engine mountings.
- 2 The remainder of the chassis must be constructed of good quality seamless drawn steel tube of a circular or non-circular section, welded together.
- 3 Reinforcement of the steering head is allowed to a maximum of 230mm from the centre line of the steering head.
- 4 The use of composite construction is forbidden with the exception of the sidecar platform. (i.e. Aluminium or carbon fibre skinned honeycomb).
- 5 The use of TITANIUM and similar "exotic" metals is forbidden in the construction of the chassis, front forks, handlebars and wheel spindles. The use of light alloys is forbidden for wheel spindles.

21.3 DIMENSIONS

Width: The overall MAXIMUM shall be 1520mm.

21.4 STREAMLINING AND BODYWORK

- 1 The streamlining must be easily detachable for technical control and be so designed and fitted to allow complete liberty of movement to the driver and passenger when the vehicle is in motion and when getting on and off the vehicle, without any part of it having to be displaced.
- 2 Aerofoils or spoilers are not permitted.
- 3 Rear view mirrors are forbidden.
- 4 A solid and effective protection must be fitted between the driver and the engine and must prevent direct contact between the driver's body or clothing and escaping flames or leaking fuel or oil.
- 5 Any type of seating may be used provided it is properly padded and securely fitted in place.
- 6 The extreme forward part of the streamlining must not project forward in plan beyond the most forward part of the front tyre by more than 400mm.
- 7 The extreme rearward part of the streamlining must not project rearward in plan beyond the most rearward part of the rear tyre by more than 400mm.
- 8 Whatever the position of the handlebars, there must be a clear space of at least 25mm between

the streamlining and the extremities of the handlebars, including any attachments thereto, and a clear space of at least 20mm between the streamlining and any other part of the steering mechanism or front wheel.

21.5 ENGINE AND DRIVE UNITS

- 1 The engine and drive unit must have originated from a Lambretta motor scooter.
- 2 The unit shall be properly and safely finished with all necessary studs, nuts, bolts and washers securely fitted. There shall be no evidence of oil leaks.
- 3 The MAXIMUM PERMITTED bore is 70mm. The MAXIMUM PERMITTED stroke is 60mm.
- 4 Any modifications made must not prejudice the safety of the driver, any other competitor or official and must be within the following parameters for the parts specified:
- 5 CYLINDER HEAD – Liquid cooling is not permitted.
- 6 CYLINDER BARREL – Cylinder barrel must be as manufacturer’s original specification either a TS1 or RB22 kit barrel.
- 7 PORTS – Ports may be enlarged, but they may not be bridged nor the cylinder barrel slotted. The position may not be changed, additional ports may not be provided, and the provision of additional material on either the inside or the outside of the barrel is prohibited.
- 8 PACKING PIECES – The total thickness of any packing piece(s) or gasket(s) used between the base of the cylinder and the crankcase must not exceed 10mm. Packing pieces may not be used as a means of increasing the available port area.

21.6 CRANKCASE

Crank casing must be as manufacturer’s original specification, except that:

- 1 Modifications may be made to permit the use of a larger section tyre subject to the limitations in Regulation 18 below.
- 2 Modifications may be made to any existing crankcase porting except that the provision of additional material on either the inside or the outside of the casing is prohibited.
- 3 Notwithstanding the exception in B above, the provision of additional material to effect genuine repairs to a crankcase will be permitted provided that the final dimensions and appearance do not exceed the manufacturer’s original specification.

21.7 CRANKSHAFT

The crankshaft must be a commercially available type designed to fit a Lambretta motor scooter with a MAXIMUM permitted stroke of 60mm and shall remain as manufacturer’s original specification, except:

- 1 The ignition mounting may be altered.
- 2 The crankshaft may be “padded”.

21.8 GEARCASE

- 1 The gearcase must be as manufacturer’s original specification except that a spacer maybe used to facilitate the use of extra clutch plates.
- 2 The gearbox must be as manufacturer’s original specification for the engine type, except that the original gear cluster may be altered to provide alternative ratios. The number of ratios must remain unchanged.

Note: For the purposes of this Regulation, the ‘engine’ is deemed to comprise the cylinder barrel(s), crankcase and all internal components within these units.

21.9 ENGINE POSITION

The engine unit must be in the original position.

21.10 INDUCTION SYSTEMS

The engine shall be normally aspirated.

21.11 WHEELS AND TYRES

- 1 All wheels must be of metal construction and be within an allowance of 5° from the vertical.
- 2 The diameter of the front and sidecar wheels MUST be 10 inches and the tyres thereon have a MAXIMUM section of 5J. The diameter of the rear wheel MUST be 10 inches with a wider section standard pattern rim permissible and allowing a MAXIMUM tyre size of 10 inches by 4.00.
- 3 At technical control ALL tyres must have moulded treads and must have a minimum depth of tread of 1.6mm across the entire original tread area. Recut moulded tyres are not permitted.

21.12 REAR SUSPENSION

Rear suspension is not permitted.

21.13 CONTROL LEVERS

- 1 All handlebar levers must be ball ended, the ball to be at least 19mm in diameter and to be a permanently fixed integral part of the lever. Each control lever (both hand and foot) must be mounted on an independent pivot. Handlebar grips must be securely fixed to the ends of the handlebar.

The following information does not form part of the Standing Regulations but is provided as a quick guide to the requirements of the SRs.

It is hoped, by the promoters of this class, that this limited specification will enable close racing at an affordable cost. For the benefit of all who compete in the class, cheating will not be tolerated.

- 1 Complete Lambretta spine frame.
- 2 Engine in original position driving the rear wheel.
- 3 Lambretta cast iron or TS1 barrel.
- 4 No water-cooling for head or barrel.
- 5 Porting to Standard class specification, i.e. no bridged ports or extra ports.
- 6 Maximum stroke 60mm. Maximum bore 70mm.
- 7 No 'alloy' welding of barrels.
- 8 Passenger exit can be in front of or behind the sidecar wheel, whichever is preferred.
- 9 The use of titanium or similar 'exotic' material is forbidden.
- 10 Treaded tyres only at all times.
- 11 Front and sidecar wheels 10 x 5J maximum.
- 12 Rear wheel must be standard pattern rim or wide version with 4.00 x 10 maximum scooter tyre.
- 13 Maximum chassis dimensions – wheelbase 1650mm – width 1520mm. Track – minimum 760mm. Ground clearance when fully loaded – 65mm.
- 14 Centre hub steering and sidecar wheel steering is forbidden.
- 15 Independently operated brakes on front and rear wheels – sidecar brake is optional.

section three

ACU HISTORICAL INFORMATION

CHAMPIONS

ACU historical information

ACU PATRON

HRH The Prince Philip, Duke of Edinburgh KG	
KT OM GBE AC QSO	1952–Present
HRH The Duke of York KG KT	1935

ACU PRESIDENT EMERITUS

The Rt Hon The Lord Jopling DL	2004–Present
--------------------------------	--------------

ACU PRESIDENT

The Rt Reverend John Oliver	2009–
Lt. Col E.P. Bartlett (Ret'd)	2004–2008
The Rt Hon The Lord Jopling DL	1990–2003
Sir Hector Monro, AE, JP, DL, MP	1984–1989
The Most Honourable The Marquess Camden, DL, JP	1966–1983
The Rt Hon. Lord Brabazon of Tara, GBE, MC, PC	1948–1964
The Hon. Sir Arthur Stanley, GBE, CB, MVO	1947–1948

ACU VICE PRESIDENT

Mrs M. Mellish	2008–Present
C. Moram	1992–Present
A. Ackland	2001–2006
M. G. Francis	1997–1998
D. Clampin	1996–1998
K. Lywood	1996–1998
G. Hadfield	1994–1999
K. Sprayson	1994–1998
K. Blampied	1991–1999
R. B. Bower	1991–1994
J. Bussell	1990–1991
F. Hanks	1989–2000
L. C. Pendergast	1988–1989
A. Carter	1988–1994
B. S. Bonny	1987–1987
J. T. Courtney	1986–1999
R. F. Woods	1986–1994
Mrs D. Lowe	1985–1997
J. A. Laurie	1984–1986
E. A. Woods	1984–1994
F. E. G. Vigers	1983–1985
G. E. Padley	1982–1992
R. G. Owen	1980–1987
C. Wilkinson	1981–1989
H. E. Jones	1980–1985
L. H. Davis	1980–1983
J. N. Anelay	1978–1996

V. Cooper	1974–1982
E. G. Cope	1974–1990
W. E. Swann	1970–1980
L. J. Archer	1970–1973
N. Goss MBE	1970–1999
J. McNulty	1970–1979
J. E. Sutton	1968–1976
J. E. Whitaker	1957–1966
A. Jefferies	1955–1978
H. S. Perrey	1955–1978
E. Damadian	1953–1983
N. E. Dixon MBE	1953–1983
J. C. Lowe	1953–1969
T. E. Ryan	1951–1985
C. H. King	1951–1981
H. P. Baughan	1949–1968
P. S. Chamberlain	1949–1954
Mrs M. L. Anning	1949–1950
J. R. Greene	1947–1950
K. S. Topping	1947–1973
M. D. Ball	1947–1948
G. R. Allan	1946–1962
V. C. Anstice	1939–1969
H. W. Robinson	1939–1952
A. Taylor	1939–1939
G. Smith	1938–1938
J. D. Woodhouse	1937–1961
B. Marians	1937–1952
T. W. Monkhouse	1933–1939
Major J. R. Potter	1933–1935
E. W. Winckle	1933–1935
Major R. V. C. Brook	1932–1938
E. Featherstone	1932–1938
J. M. Noaks	1931–1948
Lt Col M. O'Gorman	1927–1933
Professor A. M. Low A.C.G.I. D.Sc.	1925–1956
The Rt. Hon Lord Brabazon of Tara	
P.C, M.C.	1925–1947
H. P. E. Harding	1925–1952
E. P. Greenhill	1925–1939
Col. F. Lindsay Lloyd C.M.G.	1925–1939
W. H. Wells M.I.A.E.	1925–1933
A. G. Reynolds	1925–1935
J. W. G. Brooker	1925–1933
Col A. E. Davidson DSO	1925–1933
Brig Sir H. Capel Holden	1925–1933
Sir J. Orde	1925–1929
Lt Col F. S. Brereton CBE	1925–1926

ACU CHAIRMAN

B. Higgins	2011–Present
J. Parker	2004–2010
Lt. Col (Ret'd) E. P. Bartlett	1997–2003
W. S. Rawlinson	1993–1996
K. J. Lywood	1992–1992
W. A. Smith	1988–1991
N. E. Goss	1982–1987
N. E. Dixon MBE	1957–1981
Prof A. M. Low	1932–1956
Major J. R. Potter	1926–1931
Lt. Col F. S. Brereton CBE	1921–1925
Lt. Col A. E. Davidson	1920–1920
J. R. Nisbet	1914–1919
R. Todd	1903–1913

HONORARY MEMBERS OF THE BOARD OF DIRECTORS, SPORT COMMITTEES AND PANELS

F.C. Carter Honorary Deputy Chairman	2009–Present
A.F.G Noel Honorary Chairman	
Track Racing Committee	2009–Present
J Parker Honorary Member of the Board	2011–Present

ACU HONORARY MEMBERS SINCE 2000

C Armes	2002–
D D Banks	2008–
Lt. Col (Ret'd) E. P. Bartlett	2009–
E Bellars	2011–
K A R Blampied	2001–2006
A Brownlie	2001–
J Bussell	2005–
J Cadogan	2002–2010
D R Clampin	2001–
J Coles	2008–
R Collins	2011–
Dr J Ehrlich	2000–2001
M Francis	2008–
N E Goss MBE	2001–2011
K Lywood	2008–
Miss P Miller	2005–
F J Rendell	2001–2004
D Ryder	2006–
D Slaughter	2009–
R W Smith	2001–
W A Smith	2008–
K Sprayson	2003–
J Stone	2008–

ACU MEDAL OF HONOUR

Eric Adcock	2011
Ron Carter	2009
John Lightfoot	2010
Jack Parker	2009
Vic Ashford	2011

WORLD & EUROPEAN CHAMPIONS

ROAD RACING

FIM World Supersport Champion

Chaz Davies

FIM World Sidecar Championship 2nd

Ben Birchall, Tom Birchall

FIM Supermoto Des Nations 2nd

Matt Winstanley, Chris Hodgson, James Addy

Vintage Road Racing Cup, Class 6 750cc 1st

Gary Thwaites

Vintage Road Racing Cup, Class 8a Sidecars

1000cc 1st

Colin Lewis, Ian Nickels**TRIALS & ENDURO**

Trial des Nations 2nd

Dougie Lampkin, James Dabill,**Michael Brown, Jack Challoner**

Womens Trial des Nations 2nd

Becky Cook, Hannah Styles, Emma Bristow

FIM Womens Trial World Championship 2nd

Emma Bristow

FIM Womens Trial World Championship 3rd

Becky Cook

FIM Youth Trial Cup Champion

Jack Sheppard

UEM Overall Enduro Champion 2nd

Danny McCanney

UEM Enduro Senior E2 Champion

Greg Evans

UEM Trials Champion

Jack Challoner

UEM Junior 125cc Trial Cup Champion

Jack Sheppard

UEM Womens Trial Cup 2nd

Emma Bristow

UEM Women's Trial Cup 3rd

Becky Cook**MOTOCROSS**

FIM World MX2 Motocross Championship 3rd

Tommy Searle

FIM World Veterans Motocross Championship

Phil Mercer

FIM Junior Motocross of Nations 2nd

James Dunn, Ben Watson, Alexander Brown

UEM Quad Cross European Championship 2nd

Paul Holmes

UEM Sidecar Cross of European Nations 3rd

Stuart Brown & Josh Chamberlain,
Daniel Millard & Joe Millard, Jack Etheridge &
Ryan Humphrey**TRACK RACING**

FIM World Team Long Track 3rd

Paul Cooper, Andrew Appleton, Glen Phillips,
Mitch Godden

FIM World Long Track Challenge 2nd

David Howe

UEM Grasstrack European Championship 3rd

Andrew Appleton

BRITISH CHAMPIONS

MOTOCROSS CHAMPIONS

Maxxis British MX1 Champion

Brad Anderson

Maxxis British MX2 Champion

Arnaud Tonus

Maxxis British MXY2 Champion

Ryan Houghton

Ladies British Motocross Champion

Natalie Kane

British Open Class Quad Champion

John Mitchell

British Under 21 Quad Champion

Stefan Murphy

British 450cc Quad Cross Champion

John Mitchell

British Quad Cross Country Champion

Carl Bunce

British Quad Masters Champion

Paul Harkness

Maxxis British Sidecar Cross Champions

Stuart Brown/Josh Chamberlain

ACU Sidecar Clubmans Champions

Neil Franks & Michael Franks

British Veteran Motocross Champion

Greg Hanson

250cc British 2 Stroke Champion

Stuart Edmonds

125cc British 2 Stroke Champion

Luke Remmer

British Youth Motocross Championship

Open **Nathan Watson**
 85cc Big Wheel **Jack Gardner**
 85cc Small Wheel **Conrad Mewse**
 65cc **Alexander Brown**
 Auto **Louie Kessell**

British Youth Quad Cross Championship

50cc Standard **Jonty Wright**
 50cc Modified **George Oliver**
 100cc Standard **James Rawlins**
 100cc Modified **Dafydd Davies**
 100cc Open **Bradley Edwards**
 250cc Stock **Anna Dawson**
 250cc Standard **Brad Swinbank**
 250cc Modified **Fraser McFaddon**
 250cc Open **Leon Rogers**

TRIALS CHAMPIONS

ACU Events Ltd British Champion
James Dabill
 ACU Events British Expert A Champion
Ricky Wiggins
 ACU Events British Expert B Champion
Guy Kendrew
 British Womens Champion
Becky Cook
 British Womens Intermediate Champion
Catherine Alford

British Girls Champions

Class A **Chloe Richardson**
 Class B **Jess Brown**
 Class C **Nikita Smith**

ACU S3 Parts Champion

Dan Thorpe

Luscombe Suzuki Leeds British ACU Sidecar
 Champions

Robin Luscombe & Sam Luscombe

Luscombe Suzuki Leeds British ACU
 Intermediate Sidecar Champions

Daryl Dale & Harriet Shore

Luscombe Suzuki Leeds British ACU Clubmans
 Sidecar Champions

David Tuck & Steve Chandler

Luscombe Suzuki Leeds British ACU Sidecar
 Best Newcomer

David Nourish & Andrew Wright

ACU Normandale Traditional Trials Series

Class A **Carl Batty**
 Class B **Chris Koch**
 Class C **Pete Ruscoe**
 Class D **Mick Thompson**
 Class E **David Lamin**
 Class F **Allen Collier**

*ACU Sammy Miller Products Trials
 Championship*

Best British Performance **Chris Denney**
 Pre-Unit Rigid **Steve Allen**
 Pre-Unit Springer (Easy Route) **John Jacka**
 Open **Gavin Moore**
 Pre-Unit (Hard route) **Steve Thompson**
 Two Stroke **Russell Jones**
 Unit Construction **Keith Gardner**
 Pre-Unit Sidecar **Rob Cameron & Bludge Smith**
 Unit Sidecar **Lee Granby & Rupert Kimber**
 Twinshock Solo **Mark Stokes**
 Twinshock Sidecar **Ali Haigh & Amelia Haigh**

ACU Trail Bike Championship

Julian Page

British Bike Trial Champions

Femina Class **Donna Fox**
 Poussin Class **Adam Morewood**
 Benjamin Class **Toby Smith**
 Minime Class **Owen Gawthorpe**
 Junior Class **Chris Vibert**
 Senior Class **Dan Wheeler**
 Elite Class **Ben Savage**

British Youth Championship

Class A **Bradley Cox**
 Class B **Jack Price**
 Class C Standard Wheel **Jack Peace**
 Class C Medium Wheel **Joe Fauthorpe**
 Class D Medium Wheel **Billy Green**
 Class D Small Wheel **Reece Gazzard**

ENDURO CHAMPIONS

British Solo Champion

Greg Evans

British E1 2 Stroke Champion

Ashley Wood

British E1 4 Stroke Champion

Paul Edmondson

British E2 Champion

Tom Sagar

British E3 Champion

Danny McCanney

British Enduro U23 Champion

Danny McCanney

British Enduro U23 Champion Expert Class

Alun Jones

ACU Overall Expert Champion

Lewis Belfield

ACU E1 2 Stroke Expert Champion

Alun Jones

ACU E1 4 Stroke Expert Champion

Jack Rowland

ACU E2 Expert Champion

Lewis Belfield

ACU E3 Expert Champion

Gary Jenkins

ACU Overall Clubman Champion

Robert Johnson

ACU E1 2 Stroke Clubman Champion

Declan Helliwell

ACU E1 4 Stroke Clubman Champion

Robert Johnson

ACU E2 Clubman Champion

Fraser Flockhart

ACU E3 Clubman Champion

Alistair Millar

ACU Veteran Clubman Champion

Wyn Hughes

British Sidecar Champions

Alun Davies & James Ferguson

ACU Sidecar Clubmans Champions

John Parker & Mike Curnow*ACU British Cross Country Championship*Pro/Expert Class **Jonny Walker**Clubman Elite Class **Paul McSorley**Expert Over 40 Class **David Salkeld**Over 50 Class **Colin Cowley**Ladies Class **Clare Taylor***ACU British Sprint Enduro Championship*Elite Class **Tom Sagar**Expert Class **Wyn Hughes**U23 Class **Daniel McCanney**U19 Class **Jamie McCanney**Clubman **Paul Davies**

ACU British Extreme Enduro Championship

David Knight**ROAD RACE CHAMPIONS**

ACU GP250cc National Champion

Anthony Hodson

ACU 350cc Classic Champion

Stuart Hall

ACU 500cc Classic Champion

Andrew TaylorYokohama ACU/FSRA British FII Sidecar
Champions**Simon Neary & Jason Crowe**Yokohama ACU/FSRA British FII Cup
Champions**Frank Lelias & Mike Aylott****BRITISH SCOOTER CHAMPION**

Charles Edmonds

BRITISH SPRINT CHAMPION

Alan Tinnion

SUPERMOTO CHAMPIONSACU Nora Sport British Supermoto Open Elite
Champion**Chris Hodgson**ACU Nora Sport British Supermoto Champion
Open National**Steve Hall**ACU Nora Sport British Supermoto Champion
Open Clubman**Rob Dickens**ACU Nora Sport British Supermoto Champion
450 Elite**Chris Hodgson**ACU Nora Sport British Supermoto Champion
Michelin Clubman**Bradley Hardy**ACU Nora Sport British Supermoto Champion
250 Class**Ben Stafford**

ACU Nora Sport British Supermoto Champion
Junior Class

Tom Booth-Amos

ACU Nora Sport British Supermoto Champion
450 Quad

Terence Mackin

ACU Nora Sport British Supermoto Champion
Open Quad

Craig Kilner

BRITISH DRAG RACE CHAMPIONS

Top Fuel Champion

Kevin Charman

Super Streetbike Champion

Steve Venables

Competition Bike Champion

Stuart Crane

Prostock Champion

Len Paget

Funnybike Champion

Steven French

GRASS TRACK CHAMPIONS

British 250cc Champion

Craig Drury

British 350cc Champion

Jason Handley

British 500cc Sidecar Champions

Joshua Goodwin & Liam Brown

British 1000cc Left Hand Sidecar Champions

Dave Penfold & Richard Webb

British Under 21 Champion

Tom Perry

ACU/Speedway Star British Masters Open 500cc
Champion

Andrew Appleton

ACU/Speedway Star British 1000cc Sidecar
Masters Open Champion

Rod Winterburn & Liam Brown

ACU 500cc Solo British Masters Challenge
Champion

Mark Simmonds

ACU 1000cc Sidecar British Masters Challenge
Champion

Paul Johnson & Kevin Woodley

British Youth Grass Track Championship

Auto Cadet **Jolyon West**

Cadet **Jason Edwards**

Junior **Tom Brennan**

Intermediate **James Shanes**

Senior A **Danny Boyle**

Senior B **Laurence Barber**

Junior 65cc MX **Edmund Best**

Inter 85 MX **Daniel Van Der Hoeven**

Senior 85cc MX **Jack Cornes**

International 125cc **Jack Dummett**

Brian Stibbs Trophy

Rod Winterburn & Liam Brown

Jim Rendall Trophy

Harland Cook

British Pre 75 Champions

250cc **Richard Warry**

350cc **Roger Taylor**

500cc **Tim Curnock**

SPEEDWAY CHAMPIONS

British Youth 125cc Speedway Champion

Henry Atkins

British Under 16 Speedway Champion 250cc

Nathan Greaves

British Under 16 Speedway Champion 500cc

Nathan Stoneman

British Under 19 Speedway Champion

Jason Garrity

British Under 21 Speedway Champion

Tai Woffinden

Speedway Champion of Great Britain

Scott Nicholls

section four

NATIONAL SPORTING CODE

National Sporting Code of the ACU

FOURTH EDITION – REVISION 10: JANUARY 2011

CHAPTER I JURISDICTION

1.01	The Auto-Cycle Union	455
1.02	Application of the Code	455
1.03	Appendices to the Code	455
1.04	Alterations and Amendments	455
1.05	Interpretation of the Code	455
1.06	Loyal Observation of the Code	455

CHAPTER 2 NOMENCLATURE AND DEFINITIONS

2.01	Definitions	456
2.02	ACU	456
2.03	ACU Court	456
2.04	Affiliated Club	456
2.05	Membership of the ACU	456
2.06	AMRCO	457
2.07	BSPA	457
2.08	Certified Test	457
2.09	Competition	457
2.10	Social Gathering (Rally)	458
2.11	International Bodies	458
2.12	Local Centre	459
2.13	MCRCB	459
2.14	Meeting/Event	459
2.15	MSA	459
2.16	Non-Territorial Club	459
2.17	Parc Fermé	459
2.18	Permit	459
2.19	Practice	459
2.20	Practice Meeting/Test Day	459
2.21	Promotional Activity	459
2.22	RAC	459
2.23	Recognised Association	460
2.24	Recognised Promoter	460
2.25	Road	460
2.26	SACU	460
2.27	SCB	460
2.28	Venue	460

CHAPTER 3 ORGANISATION OF COMPETITIONS

3.01	Recognition of Authority	460
3.02	Standing Regulations	460
3.03	Supplementary Regulations	460
3.04	Announcement on Official Documents	461
3.05	Organisation of Competitions	461
3.06	Unauthorised Competitions	461
3.07	Competitions between Automobiles and Motorcycles	461

3.08	Permits for Competitions	461
3.09	Status of Competitions	462
3.10	Youth/Adult Competitions	464
3.11	Title of a Competition	464
3.12	Prohibition of Betting	464
3.13	Fixture List	464
3.14	Protection of Date	464
3.15	Television, Video Recording and Film Rights	465
3.16	Postponement, Cancellation or Abandonment of a Competition	465
3.17	Over-Riding Authority of the Auto-Cycle Union	465
3.18	Insurance	465
3.19	Official Programme	465
3.20	Assumed Name In Programme	466
3.21	Announcement of Results	466
3.22	False Advertisements	466
3.23	Permanent Course Licence/Temporary Course Certificate	466
3.24	Minimum Practice Period	466

CHAPTER 4 PERMITS AND ENTRIES

4.01	Permits	466
4.02	Permission of Local Centre	466
4.03	Application for Permit	467
4.04	Withdrawal or Refusal of Permit	467
4.05	Entries	467
4.06	Entries for International Competitions – Abroad	467
4.07	Time Limit for Entries	467
4.08	Unauthorised Entries	467
4.09	Entry Containing a False Statement	468
4.10	Refusal of Entries	468

CHAPTER 5 OFFICIALS CONTROL AND DIRECTION OF COMPETITIONS

5.01	Judicial Officials	468
5.02	Executive and Administrative Officials	468
5.03	Assistants to Executive and Administrative Officials	469
5.04	Requirement to Sign-On	469
5.05	Age Limits for Officials and Assistants	469
5.06	Nomination of Officials	469
5.07	Plural Appointments	469
5.08	Incompatibilities	470

CHAPTER 6 TERMS OF REFERENCE AND DUTIES OF OFFICIALS

6.01	Stewards of the Meeting/Referee	470
6.01.1	Quorum for Meeting of Stewards	470
6.01.2	Stewards Reports	470
6.02	Race Director	470
6.03	Duties of the Race Director	471
6.04	Clerk of the Course	471
6.05	Duties of the Clerk of the Course	471
6.06	Powers of the Clerk of the Course	471
6.07	Secretary of the Meeting	472

6.08	Timekeeper	472
6.09	Chief Medical Officer	472
6.10	Technical Official	473
6.11	Duties of Starter and Line Judges	473
6.12	Incident Officer	473
6.13	Sound Inspector	473
6.14	Trial Observer	473
6.15	Measurer	473
6.16	Child Protection	474

CHAPTER 7 ENTRANTS, RIDERS AND PASSENGERS

7.01	Entrant	474
7.02	Rider	474
7.03	Passenger	474
7.04	Age of Rider and Passenger	474
7.05	Licensing of Riders and Passengers	474
7.06	Entrants Licence	474
7.07	Rider's Licence	475
7.08	Passenger's Licence	475
7.09	Licences – Status and Validity	475
7.10	Refusal or Withdrawal of Licence	475
7.11	Production of Competition Licence or Trials Registration	475
7.12	Technical Inspection	475
7.13	Signing On/Signing Off	475
7.14	Mutual Responsibility of Entrant, Rider, Parent/Legal Guardian	476
7.15	Assumed Name	476
7.16	Change of Rider, Passenger or Motorcycle	476
7.17	Conduct of Riders	476
7.18	Irregular Entries	476
7.19	Absentees	476
7.20	Withdrawal of Entry	476
7.21	Finish of a Meeting and Prize Giving	476

CHAPTER 8 COURSES AND PUBLIC SAFETY

8.01	Courses	477
8.02	Permission to Use Land	477
8.03	Measurement of Distance on the Course	477
8.04	Licensing of Courses for Speed Events	477
8.05	Application for Permanent Course Licence	477
8.06	Validity of Permanent Course Licence or Temporary Course Certificate	478
8.07	Display of Permanent Course Licence	478
8.08	Application for Temporary Course Certificate	478
8.09	Availability of Temporary Course Certificate	478
8.10	Responsibility of Licence/Certificate Holder and Organiser	478
8.11	Alteration to Conditions	478
8.12	Course Inspection	478
8.13	Re-inspection and Amendment of Licence or Certificate	479

CHAPTER 9 ANTI-DOPING, ALCOHOL AND MEDICAL

9.01	Anti-Doping	479
9.02	Prohibited Substances and Methods	479

9.03	Rules for the Enforcement of Anti-Doping	479
9.04	Testing Procedure	479
9.05	Costs for Anti-Doping Tests	479
9.06	Sanctions	479
9.07	Penalties	479
9.08	Alcohol	479
9.09	Medical Examination	480

CHAPTER 10 DISCIPLINARY AND ARBITRATION CODE

10.01	Principles	480
10.02	Penalties	480
10.02.1	Definition and Application of Penalties	480
10.02.2	Specific Penalties	481
10.02.3	Plurality of Penalties	481
10.03	The ACU Disciplinary and Arbitration Bodies	481
10.03.1	The ACU Sport Committees	481
10.03.2	The Clerk of the Course	481
10.03.3	The Steward(s) of the Meeting	482
10.03.4	The Panel of Adjudicators (POA)	482
10.03.5	The Judicial Panel	483
10.03.6	The ACU as a Party In the Judicial Proceedings	483
10.03.7	ACU Courts of Enquiry (COE)	483
10.03.8	The ACU Final Tribunal of Appeal (FTA)	484
10.04	Protests and Appeals	484
10.04.1	Right of Protest	484
10.04.2	Withholding of Prizes and Awards In Case of Protest or Appeal	484
10.04.3	Procedure and Time Limit for Protests	484
10.04.4	Protest Fees	485
10.04.5	Hearing a Protest	485
10.04.6	Effect of the Decision of the Clerk of the Course	485
10.04.7	Right of Appeal	485
10.04.8	Procedure and Time Limits for the Lodging of Appeals	485
10.04.9	Lodging of An Appeal to a Local Centre Court	485
10.04.10	Lodging of An Appeal to the COE/FTA/POA	486
10.04.11	Appeal Fees	486
10.04.12	Fees Payable Upon An Adjournment	486
10.04.13	Fees Payable Upon Withdrawal of An Appeal	486
10.04.14	Time Limits for the Hearing of Appeals	486
10.04.15	Effect of An Appeal	487
10.05	Procedure Before All the Disciplinary and Arbitration Bodies	487
10.05.1	Right to a Hearing	487
10.05.2	The Hearing	487
10.05.3	Witnesses and Experts	487
10.05.4	Judgement	487
10.05.5	Notification of Judgements	488
10.05.6	Publication of Judgements	488
10.06	Costs of Procedure	488
10.06.1	Payment of Fines and Costs	488
10.07	Reciprocity of Penalties	488
10.08	Law of Mercy	488
10.09	Arbitration Clause	488

CHAPTER 11 OFFENCES AND PENALTIES

11.01	Breach of Rules	488
11.02	Re-Run	489
11.03	Allocation of Proceeds From Fines etc.	489
11.04	Quashing a Competition	489
11.05	Notices	489

APPENDIX A DISCIPLINARY DECISIONS & PROTEST & APPEAL
PROCEDURE 490

APPENDIX B PROTEST AND APPEAL PROCEDURE
– TRIALS AND ENDURO 491

APPENDIX C INSURANCE

1.	General	492
2.	Legal Liability	492

APPENDIX D MOTORCYCLES AND ACCESSORIES

1.	Motorcycles	493
2.	Quad Machines	493
2.	Freedom of Construction	493
3.	Categories and Groups of Motorcycles	493
4.	Classes	494
5.	Measurement of Engines	495
6.	Carburettors or other Air Input Control Instruments	495
7.	Identification Numbers	496
8.	Examination of Machines	496
9.	Measurement of Machines	496
10.	Advertising	496
11.	Brakes	497
12.	Dangerous Construction	497
13.	Positions of Rider and Passenger	497
14.	Throttle (Accelerator) Controls	497
15.	Chain Guards	497
16.	Exhaust Sound Control	497
17.	General	498

FOURTH EDITION – REVISION 10: JANUARY 2011

CHAPTER I JURISDICTION**1.01 THE AUTO-CYCLE UNION**

1. The Auto-Cycle Union Limited (ACU) is the Internationally Recognised Governing Body for the Sport of Motorcycling throughout the British Isles, excluding Ireland, for machines as defined in the Appendices to this Code.
2. In order that the control of motorcycle sport shall be exercised in a fair and equitable manner, the ACU National Council has approved these rules designated, “The National Sporting Code”, hereinafter also called “the Code” or “NSC” which are generally in conformity with the International Sporting Code of the Fédération Internationale de Motocyclisme.

1.02 APPLICATION OF THE CODE

1. This Code supersedes the previous Third Edition of the National Sporting Code and governs the relations arising in any matter whatsoever in connection with the Sport of Motorcycling and Social Gatherings as between the ACU and/or amongst Officials, Organisers, Entrants, Riders and Passengers, Affiliated Clubs and Club Members.
2. This Code shall have no authority over competitions, officials, championships and events under the control of the MCRCB or SCB, other than in the case of the SCB for judicial functions as described in Chapter 10 and 11 of this Code.
3. Such competitions, officials, championships and events shall be organised in accordance with their respective sporting codes.

1.03 APPENDICES TO THE CODE

1. Appendices to the Code include Insurance Regulations, Standing Regulations for each discipline as published in the current ‘ACU Handbook’ and Supplementary Regulations defining the nature of and governing technical requirements. Rules for the conduct and control of Competitions for the various disciplines of the sport of motorcycling as established, shall form part of this Code and have the same force in their application. In the event of any conflict between the National Sporting Code and its Appendices, the National Sporting Code shall prevail.

1.04 ALTERATIONS AND AMENDMENTS

1. This Code and its Appendices may be altered from time to time. No revised rule shall be effective unless it has been approved by the National Council of the ACU and has been published.

1.05 INTERPRETATION OF THE CODE

1. In cases of dispute, the National Council of the ACU is empowered to decide the interpretation of this Code. Where any word used within this Code shall refer to gender, that word shall be deemed to relate to either sex.

1.06 LOYAL OBSERVATION OF THE CODE

1. No Member of the ACU or any Affiliated Club or other approved body which has formally undertaken to observe and comply with this Code and no person licensed or otherwise authorised to enter or participate in or officiate at any Competition governed by this Code shall:
 1. Assist any person or body that does not comply with and/or conform to this Code or the Rules or Code of the SCB, the MCRCB, or acts in any manner contrary thereto.
 2. Belong to, or lend his name to, or be an Officer of, any such body.

2. Dispensation from this rule may be given where a body can satisfy the ACU that its rules and regulations are compatible with those of the ACU and that competitors, officials and spectators receive similar protection (i.e. insurance and safety) to that applicable to ACU permitted events and on condition that any other criteria laid down in Government legislation such as official notification or approval of the running of event(s) are met (see 3.06, final paragraph).

CHAPTER 2 NOMENCLATURE AND DEFINITIONS

2.01 1. In addition to the definitions, and abbreviations of terms appearing in this Code or its appendices, the following phraseology and abbreviations shall be adopted and their definitions shall be applicable to all Supplementary Regulations and for general use.

2.02 ACU

1. The Auto-Cycle Union Limited, (ACU – British Motorcycle Sport), founded in 1903 as a branch of the Royal Automobile Club (RAC) and made independent of the RAC in 1999, consisting of Affiliated National Clubs, Affiliated Non-Territorial Clubs, and Affiliated Local Motorcycle Clubs forming Local Centres and other recognised Associations. The constitution of the ACU is laid down in 'The Rules of the Union'.
2. Where ACU is used to indicate the governing authority, it is that authority vested in the National Council of the Auto-Cycle Union for the governance of the sport of motorcycling.

2.03 ACU COURT

1. An ACU Court shall be a body set up for Jurisdiction or Arbitration purposes as follows.
 1. **Clerk of the Course:** To adjudicate all protests arising out of a meeting.
 2. **Steward(s) of the meeting:** To adjudicate all Appeals arising out of a meeting.
 3. **Referee:** To adjudicate all Appeals arising out of a meeting.
 4. **ACU Centre Court:** To adjudicate on any matter referred to them by the Stewards of the meeting with respect to an event for which they have issued the Permit. To adjudicate on any matter of conflict or complaint from a Club or Member of a Club under the jurisdiction of that Centre.
 5. **ACU National Court:** To adjudicate on any matter referred to them by the Stewards of the meeting with respect to an event for which the ACU Headquarters have issued the Permit. To adjudicate on any matter of conflict or complaint from a Centre, Non-Territorial Club or National Official.

2.04 AFFILIATED CLUB

1. Any Affiliated Local Motorcycle Club or Non-Territorial Motorcycle Club, Association, Institution or other body or section of such body connected with the sport or recreation of motorcycling which is affiliated to the ACU in accordance with the Rules of the Union in force at any one time, and consisting of members, whether paid up individuals or Honorary Members, who are entered on the Club roll and are eligible to become Members of the ACU.

2.05 MEMBERSHIP OF THE ACU

1. Membership of the ACU is defined as follows:
 1. **Affiliated Member:** An individual who is a fully paid up member of one or more Clubs affiliated to the ACU. Such an individual shall be eligible to take part as an Official of the ACU or Competitor in any competition organised under this National Sporting Code provided he holds a current Competition Licence/Trials Registration, and meets any other eligibility requirement specified in the National Sporting Code, its Appendices or Event Regulations. All

Applications for Competition Membership are subject to the approval of the Board of Directors of ACU. (See also Rules of the Union Article (B) (19))

2. Associate Member: An individual who is an Associate Member is not required to be a fully paid up member of any Club affiliated to the ACU. Such an individual shall be eligible to receive an ACU Handbook and to a variety of member benefits that may be made available from time to time. Associate Members are not eligible to participate as a competitor in any competition organised under this National Sporting Code unless also a Competition Member or authorised in the Supplementary Regulations of a particular competition. (e.g. National Rally). The holder of an Associate Membership having paid the annual individual registration fee direct to the ACU in accordance with the Rules of the Union in force at any one time. All Applications for Associate Membership are subject to the approval of the Board of Directors of the ACU. (See also Rules of the Union Article (B) (19))

2.06 AMRCO

1. The Association of Motor Racing Circuit Owners.

2.07 BSPA

1. British Speedway Promoters' Association.

2.08 CERTIFIED TEST

1. A test of which the purpose is to obtain information as to the characteristics of a motorcycle or accessory or material used in connection with a motorcycle, and which is conducted in accordance with certain specified conditions.

2.09 COMPETITION

1. Any part of meeting/event, in which one or more riders compete against each other, or against time, or attempt to fulfil certain pre-determined conditions.
2. A competitive element introduced into a Social Gathering whereby one rider competes against another shall itself constitute a competition.
3. Competitions are of either a speed or non-speed type.

SPEED EVENTS

1. **Beachcross:** A race on or adjacent to the sea shore with some of the characteristics of motocross.
2. **Drag Race:** A race between two competitors over a flat straight course of a quarter of a mile in length.
3. **Grass Track Race:** A race on a predetermined continuous, originally grassed and generally flat surface.
4. **Hillclimb:** A race from point to point usually on a metalled and sealed surface with bends and a continuous severe gradient. Each competitor will ride individually.
5. **Motocross:** A cross country race on a closed predetermined continuous course presenting severe irregularities of surface and gradient.
6. **Pocket Bike:** A race for miniature motorcycles and miniature motorcycle sidecars with rigid frames and propelled by a petrol engine. The course will be on a metalled sealed surface and be predetermined.
7. **Road Race:** A race on a metalled and sealed surface making a continuous predetermined course which has the general characteristics of an ordinary highway.
Also Circuit Road Race: A race on a permanent circuit the surface of which is metalled and sealed with either banked or unbanked bends and corners.
8. **Sand Race:** A race on the seashore on a predetermined continuous, generally flat sand course.

9. **Scooter Racing:** Road racing for both solo and combination scooters. Machines are from 50cc to 650cc, based either on classic geared scooters or modern automatics.
10. **Speed Record attempt:** A record is the best result obtained over a certain distance or within an imposed time limit
11. **Speedway:** A race, or venue for a race conforming to the requirements of and licensed by the Speedway Control Bureau. No venue other than one licensed by the Speedway Control Bureau shall be described as a Speedway and no motorcycle event shall be described as Speedway unless it is held under a permit authorised by the Speedway Control Bureau.
12. **Sprint:** A race from point to point on a metalled and sealed surface, approximately level and not exceeding one mile in length, between two or more competitors or individually against time.
13. **Supercross/Arenacross:** A race, held in a stadium type facility, on a closed predetermined continuous course containing severe irregularities of surface and gradient.
14. **Supermoto:** A race on a predetermined flat or undulating course which is a mixture of natural and metalled sealed surfaces.
15. **Twisty Sprint:** A race from point to point on a metalled and sealed surface, approximately level using left and right turns and not exceeding one mile in length, between two or more competitors or individually against time.

NON SPEED EVENTS

1. **Enduro:** A long distance event of endurance and reliability with the course predominantly of an off-road cross country nature.
2. **Hare and Hounds:** A group start event of no less than 2 hour duration held over undulating ground where the target will be to achieve a set number of laps within the time allowed.
3. **Trial:** A test of riding skill and balance over a variety of observed obstacles with riders incurring penalties for 'footing' or stopping or for failing to fulfil other conditions as may be stated in the supplementary regulations.
4. **A Gymkhana:** An event held wholly on private ground and in which no test is determined solely by the speed of the competing motorcycle, or by the skill of the rider in controlling the machine, and in which if there are timed tests there will be at least an equal number of untimed tests. No test may be timed to an accuracy of less than 5 seconds.

2.10 SOCIAL GATHERING (RALLY)

1. A Social Gathering is an event where the participants do not compete against each other but may be required to satisfy general criteria to achieve an award. A Social Gathering may include a competition as defined under 2.08.
A Social Gathering may be;
 1. A Navigational Scatter Road Rally or Road Safety Rally taking place over various routes converging on a rallying point fixed in advance in which average speed is limited, or
 2. An activity organised with the prime objective of assembling touring motorcyclists at a point fixed in advance.

2.11 INTERNATIONAL BODIES

1. **FIM:** The Fédération Internationale de Motocyclisme, the International Controlling Body for Motorcycle Sport.
2. **UEM:** The European Motorcycle Federation, the Body established by the FIM to control Continental Motorcycle Sport within the continent of Europe.
3. **FMN:** Fédération Motocycliste Nationale, a National Controlling Body of Motorcycle Sport recognised as such by the FIM.
4. **FMNR:** The FMN under whose jurisdiction an International event is held.

2.12 LOCAL CENTRE

1. A grouping of ACU affiliated Local Motorcycle Clubs, having their headquarters within a district or area designated by the ACU, which the ACU shall recognise as being the body of the ACU responsible for the local encouragement of the sport of motorcycling under this Code.

2.13 MCRCB

1. The Motorcycle Circuit Racing Control Board. The body to which the control of National level motorcycle Road Racing on permanent road race circuits belonging to and under the control of AMRCO has been delegated by the ACU.

2.14 MEETING/EVENT

1. An assembly of riders, passengers if appropriate, and officials under official control at which one or more competitions are held, or performance registered.

2.15 MSA

1. The Royal Automobile Club Motor Sports Association Ltd.

2.16 NON-TERRITORIAL CLUB

1. A Club, Association or other body or section of such body, connected with the sport and recreation of motorcycling, having objectives, activities and membership which does not restrict it to Local Centre membership and having a minimum membership as shall be determined by the ACU, and which is affiliated to the ACU, in accordance with the Rules of the Union. Where a Non-Territorial club has local sections, these sections shall affiliate to the Local Centre and will conduct their sport through the normal Centre procedures.

2.17 PARC FERMÉ

1. An area in which no repairs or servicing is permitted, except as allowed by the Supplementary Regulations.

2.18 PERMIT

1. An authorising document issued in accordance with Article 3.08.

2.19 PRACTICE

1. That part of an event intended to allow a rider to become familiar with the course. In certain events, performance during specified periods of practice may be used by the organisers to determine starting order or position.

2.20 PRACTICE MEETING/TEST DAY

1. A practice meeting/test day is a meeting which is instigated, announced and conducted by an Affiliated club and in which there is no element of competition. See also Article 3.08 (h).

2.21 PROMOTIONAL ACTIVITY

1. A Non-competitive activity designed solely to enable participants to experience riding motorcycles.
2. To participate in this type of activity the rider does not require to be a member of an ACU Club or to have any competition licence.

2.22 RAC

1. The Royal Automobile Club.

2.23 RECOGNISED ASSOCIATION

1. Any organisation or body (not being an affiliated club) which shall be recognised by National Council, having an interest in the sport of motorcycling which is not considered to be in conflict with the interests of the Auto-Cycle Union. Recognised Associations shall be entitled to:
 1. Receive all annual and periodical publications.
 2. Attend and speak at meetings of the Non-Territorial Board.
 3. Attend seminars and other meetings by invitation, for which a fee may be charged.

2.24 RECOGNISED PROMOTER

1. A Company or other body connected with the sport or recreation of motorcycling which is affiliated to the ACU in accordance with the Rules of the Union in force at any one time. A Recognised Promoter shall be entitled to:
 1. Receive all annual and periodical publications.
 2. Attend and speak at meetings of the Non-Territorial Board.
 3. Attend seminars and other meetings by invitation, for which a fee may be charged.

2.25 ROAD

1. A route having the general characteristics of a public highway.

2.26 SACU

1. Scottish Auto-Cycle Union.

2.27 SCB

1. The Speedway Control Bureau. The body to which the control and governance of National level motorcycle Speedway Racing on permanent Speedway Circuits belonging to and under the control of BSPA has been delegated by the ACU.

2.28 VENUE

1. That geographical location where the competition takes place and upon which all ancillary activities directly connected with the competition take place but excluding any and all activities beyond the boundary of the area of land over which the organisers have control.

CHAPTER 3 ORGANISATION OF COMPETITIONS**3.01 RECOGNITION OF AUTHORITY**

1. Every ACU competition shall be held under this Code. Every person, organising, officiating at, entering or participating in such a competition shall be an affiliated member of the ACU, with the exceptions as in articles 3.08 and 5.02 and shall be deemed to be acquainted with, and shall be bound by this Code with its Appendices and the Supplementary Regulations that may be applicable and to have renounced the right to have recourse to any court or tribunal otherwise than as provided for in this Code or the code of the FIM if applicable (see NSC 5.02).

3.02 STANDING REGULATIONS

1. The Standing Regulations, additional to, but not contradictory to this Code shall be those as drawn up by the appropriate sport committee and shall govern the specific needs of each discipline of the Sport.

3.03 SUPPLEMENTARY REGULATIONS

1. For every competition there shall be drawn up Regulations, supplementary to this Code and its Appendices. These Supplementary Regulations shall not be in conflict with this Code or its

Appendices and shall be approved by the authority issuing the permit for the competition (see NSC 1.03).

2. The Supplementary Regulations are to include all information relevant to the particular competition for the information of Entrants, Riders and Passengers, and shall include a form inviting entry into the competition.
3. The Supplementary Regulations together with the Entry Form and all other official documentation shall carry the Permit Number.
4. Supplementary Regulations shall not be altered after the commencement of the period for receiving entries unless the approval of the authority granting the Permit is obtained and all Entrants and Riders are notified of the changes made.
5. The Stewards of a meeting may for urgent reasons of safety or necessity authorise a change to the Supplementary Regulations. Any change decided must be transmitted to all entrants and riders and shall not be subject to appeal.

3.04 ANNOUNCEMENT ON OFFICIAL DOCUMENTS

1. All Supplementary Regulations, Entry Forms, Official Programmes and other official communications, shall include the status of the competition, (National, Open or Restricted etc.) and shall be conspicuously marked with the words "Held under the Sporting Code of the ACU", and where applicable "the FIM" or "the UEM".

3.05 ORGANISATION OF COMPETITIONS

1. No competition shall be held, other than by the ACU Headquarters itself, without an organising permit having been granted. Any of the following may act as Organisers, and hold a competition as defined in this Code subject to the necessary approvals as defined in this Code being obtained.
 1. The ACU Headquarters
 2. A Local Centre of the ACU
 3. A Non-Territorial Club
 4. An Affiliated Local Motorcycle Club or combination of Clubs
 5. A Recognised Promoter
 6. Any other person or body approved by the National Council of the ACU in exceptional circumstances for the organisation of a specific meeting/event.

3.06 UNAUTHORISED COMPETITIONS

1. The organisation or running of any meeting or series of meetings not conforming to the NSC, its Appendices or the Regulations, for which an ACU Permit has not been issued is not recognised by the ACU.

3.07 COMPETITIONS BETWEEN AUTOMOBILES AND MOTORCYCLES

1. It is prohibited for automobiles as defined by the MSA and motorcycles as defined in this Code to compete against each other in the same race.
2. A meeting may include separate events for automobiles and motorcycles, as defined in this Code, provided it is authorised by the ACU Committee responsible for the discipline concerned and consent of the MSA has been granted.

3.08 PERMITS FOR COMPETITIONS

1. Permits for all Road Race, Drag, Sprint, Supermoto, Supercross and Arenacross competitions, are issued by ACU Headquarters.
2. Competitions on AMRCO Circuits.
In accordance with agreements currently in force, members of AMRCO shall be entitled to appoint an ACU Affiliated Club to hold events of lower than National status on circuits

belonging to or under the control of members of AMRCO. Such events shall be run in accordance with the ACU Rules and Regulations in force at the time save that any Permit for such events must be approved in advance by the MCRCB.

3. Where A Local Centre or Region is the Permit Issuing Authority, all Permit Applications are to be forwarded to the Competition Secretary or Permit Officer of the Centre or Region for information and issue of the Permit.
4. Permit applications for AMRCO/MCRCB events and all other Permits issued by ACU HQ will be individually notified to the ACU Local Centre for information.
5. Except for Road Racing, Drag, Sprint and Supermoto meetings held on courses that are subject to Permanent Course licences and other events on land with planning permission, events which are to take place either wholly or partially within the boundaries of a Centre other than that of the Permit Issuing Authority must be notified to the Centre in which the event is to be held by the Permit Issuing Authority prior to the issue of the permit.
6. Before issuing the Permit, the Permit Issuing Authority is required to take into account any observations, recommendations or objections made by the Centre in which the event is to take place providing these are received within the 10 days following the date the original notification was made.
7. Approval of the Local Centre in whose territory an event is proposed to be held must be obtained by any organising club affiliated to that Centre (except for Road Racing, Drag, Sprint and Supermoto meetings held on courses that are subject to Permanent Course licences and other events on land with planning permission). Such permission shall not be unreasonably withheld.
8. Any otherwise irresolvable disputes between event organizers or between a Permit Issuing Authority and an organizer or organizers shall be referred to ACU Headquarters for mediation. The ACU will be the final arbiter in these matters from which there will be no appeal.

3.09 STATUS OF COMPETITIONS

1. INTERNATIONAL

1. The Permit shall be issued by the ACU Headquarters for a meeting inscribed on the International Calendar of the FIM and having an FIM International Meeting Number (IMN).
2. An International meeting is open to Entrants and Riders of more than one nation who must hold an International Licence or a National Licence issued by the ACU valid for the particular meeting concerned.
3. All riders not holding a Licence issued by the ACU or SACU must carry proof of Insurance and a written Start Permission document issued by their FMN. NOTE: This includes all riders holding a licence issued by the MCUI.

2. EUROPEAN OPEN

1. The permit shall be issued by ACU Headquarters for a meeting inscribed on the Calendar of the Union of European Motorcycling (UEM) and having a European Meeting Number (EMN).
2. A European Open meeting is open to Entrants and Riders of more than one European nation who must hold the appropriate Competition Licence valid for the particular meeting concerned.
3. All riders not holding a Licence issued by the ACU or SACU must carry proof of Insurance and a written Start Permission document issued by their FMN. NOTE: This includes all riders holding a licence issued by the MCUI.

3. NATIONAL

1. The Permit shall be issued by the ACU Headquarters.
2. A National meeting is open to Entrants and Riders who are the holders of a National or

- International Licence or Trials Registration valid for the particular meeting concerned issued by any federation.
3. All riders not holding a Licence issued by the ACU or SACU must carry proof of Insurance and a written Start Permission document issued by their FMN. NOTE: This includes all riders holding a licence issued by the MCUI.
 4. **OPEN**
 - A. **Where the meeting is to be organised by a Centre or Centre Affiliated Club but is not a meeting as described in Article 3.08.1 above.**
 1. An Open permit is issued by the Local Centre to which the organising Club is affiliated.
 2. An Open meeting is open to Entrants and Riders who hold a valid ACU or SACU Licence or Trials Registration for the meeting concerned.
 - B. **Where the meeting is to be organised by a Non-Territorial Club or for any meeting described in 3.08.1 above.**
 1. An Open permit is issued by ACU Headquarters.
 2. An Open meeting is open to Entrants and Riders who hold a valid ACU or SACU Licence or Trials Registration for the meeting concerned.
 5. **RESTRICTED**
 - A. **Where the meeting is to be organised by a Centre or Centre Affiliated Club but is not a meeting described in Article 3.08.1 above.**
 1. A Restricted permit is issued by the Local Centre to which the organising Club is affiliated.
 2. A Restricted meeting is open to Entrants and Riders who hold a current ACU or SACU Licence or Trials Registration valid for the meeting concerned.
 3. The Supplementary Regulations issued for the event must specify all restrictions and requirements of eligibility.
 - B. **Where the meeting is to be organised by a Non-Territorial Club or for any meeting as described in Article 3.08.1 above.**
 1. A Restricted Permit is issued by ACU Headquarters.
 2. A Restricted meeting is open to Entrants and Riders who hold a current ACU Licence or Trials Registration valid for the meeting concerned.
 3. The Supplementary Regulations issued for the event must specify all restrictions and requirements of eligibility.
 6. **ELIGIBILITY OF FOREIGN RIDERS IN OPEN AND RESTRICTED MEETINGS**
 1. The Supplementary Regulations issued for the event must specify the licence qualification and eligibility requirements of foreign riders.
 2. All riders must have a current Licence and Start Permission from their own Federation valid for the event.
 3. **Note:** In certain circumstances for events other than Road Racing, Sprint and Drag Racing it is possible for European Competitors to take part without producing a Start Permission or Insurance. Organisers should refer to the current ACU Handbook Insurance section for further information.
 7. **PRACTICE MEETINGS AND TEST DAYS**
 1. Permits for Practice Meetings and Test Days may be issued on application to the Permit Issuing Authority. (Local ACU Centre or ACU Headquarters).
 2. No such event may be held unless the appropriate Permit and Insurance has been issued.

8. SOCIAL GATHERINGS

1. Permits for Social Gatherings may be issued on application to the Permit Issuing Authority (Local ACU Centre or ACU Headquarters).
2. No such event may be held unless the appropriate Permit and Insurance has been issued.

9. TRAINING DAYS

1. The ACU Training Department will issue Permits for all functions involving the training of riders by approved coaching personnel or the training of officials by authorised trainers.
2. No such event may be held unless the appropriate Permit and Insurance has been issued.

10. SPECIAL EVENT PERMITS

1. A Permit issued by ACU Headquarters for any event, the Regulations for which have been approved by the appropriate Sport Committee or the Board of Directors of the ACU.
2. Such events will be those deemed to be in the interest of the sport of motorcycling generally but may not fall within the categories mentioned above.
3. Special Events may be open to all motorcyclists and whether or not they are members of the ACU Affiliated Clubs.

3.10 YOUTH/ADULT COMPETITIONS

1. A competition including separate classes for Youth as defined in the discipline Standing Regulations shall be organised under a Permit, authorised by the ACU Headquarters or Local Centre.

3.11 TITLE OF A COMPETITION

1. Approval of the following titles shall be given on the recommendation of a Sport Committee of the ACU subject to the approval of the Board of Directors.
 1. **Grand Prix** The use of the words “Grand Prix” in the title of any competition held under the jurisdiction of this Code can be authorised only by the ACU and the FIM.
 2. **Classic** No competition or series of competitions shall include the word “Classic” in its title, or be advertised as a “Classic” unless it is so authorised by the ACU.
 3. **British** No competition or series of competitions shall include the use of the word “British” in its title unless agreed by the ACU.
 4. **Championships** No International or National competition or series of competitions shall be described as a “Championship” unless agreed by the ACU.

3.12 PROHIBITION OF BETTING

1. At meetings held under these rules Public Betting shall not be permitted.

3.13 FIXTURE LIST

1. Annually, the FIM will publish the “Calendar of Events” for all International Meetings.
2. All International events to be held under the jurisdiction of the ACU shall be inscribed on the International Calendar only by the ACU Headquarters.
3. The ACU Headquarters will publish a Fixture List of National and certain other lower status events.
4. Once the National Calendar has been published, the published dates shall stand, except in the case of force majeure.

3.14 PROTECTION OF DATE

1. No event either competitive or for practice shall be held on the Sunday in November each year designated “Remembrance Sunday”.

3.15 TELEVISION, VIDEO RECORDING AND FILM RIGHTS

1. No competition shall be televised or filmed for video recording for professional purposes unless the prior approval of the ACU Headquarters has been obtained. The only exception to this requirement is in respect of television news or feature programmes where the viewing time from any one competition is less than four minutes.
2. Subject to prior agreement with the owners of permanent circuits, the ACU Headquarters reserves the right to negotiate contracts for the television, video recording, transmission by cable or film rights for any competition or series of competitions held under jurisdiction of this Code.

3.16 POSTPONEMENT, CANCELLATION OR ABANDONMENT OF A COMPETITION

1. A meeting or competition forming part of a meeting shall not be postponed, cancelled or abandoned unless provision for doing so has been made in the Supplementary Regulations, save as provide for in this Article or in Article 6.01 (Stewards).
In exceptional circumstances and for justifiable reasons the Organising Club or Body is permitted to postpone or cancel a meeting for which it holds a Permit.
The Permit Issuing Authority and all the riders who have submitted an entry must be immediately informed about changes of dates or cancellations.
A short term change of up to 48 hours necessitated by extraordinary circumstances is not to be considered as a change of date and the original Permit will remain valid.
In any case of a change of date the entries submitted will be valid only if the riders confirm their acceptance of the new date of the meeting after having been given the opportunity of withdrawing their entries by an agreed date.

3.17 OVER-RIDING AUTHORITY OF THE AUTO-CYCLE UNION

1. The ACU Headquarters shall have the right to declare any competition held within its jurisdiction the holding of which would, in the opinion of the ACU, be prejudicial to the interests of either the sport or the ACU, to be an unauthorised competition, and also to veto any decision of a Local Centre, Organiser or body of Organisers, Affiliated Club or Association of Affiliated Clubs, Steward or body of Stewards, which in the opinion of the ACU would be so prejudicial.

3.18 INSURANCE

1. All competitions held under the jurisdiction of the ACU shall be insured under policies put into effect by ACU Headquarters. In addition all riders competing in events held under an ACU permit shall be covered by ACU policies in respect of Personal Accident and Public/Promoters Liability subject to certain exceptions and shall pay the required insurance fee.
2. Riders are responsible for 'Road Traffic Acts insurance' when part or the entire course of an event traverses a public road.

3.19 OFFICIAL PROGRAMME

1. For all meetings where a charge is made for the admission of spectators the Organisers shall publish an Official Programme.
2. The Official Programme shall contain the following information:
 1. A statement that the competition is held under the Code of the ACU and the Code of the FIM or UEM if applicable.
 2. The Permit Number and, where applicable, the Course Licence or Certificate Number.
 3. The names of the principal Officials and an address and telephone number for correspondence with the Organisers.
 4. The time of start and the schedule of the competitions.
 5. The names of Entrants, Riders and Passengers with their machines and Riding Numbers.

6. The appropriate Warning and Disclaimer Notices as specified under "Safety Precautions" in the current ACU Handbook.
 7. Any other notices as may be required from time to time by the ACU.
 8. An acknowledgement that the event is staged in accordance with the ACU/FIM Environmental Code.
3. For events of Open and Restricted status where an Official Programme is not required, a list of riders, riders club and their machines is a minimum requirement.
 4. A copy of the Programme or List of Entries is to be sent to the Permit Issuing Authority at the conclusion of the meeting.

3.20 ASSUMED NAME IN PROGRAMME

1. Any assumed name, if duly registered, shall be indicated on the Official Programme between inverted commas (see NSC 7.15).

3.21 ANNOUNCEMENT OF RESULTS

1. The announcement of results must be made as per the Standing Regulations or Supplementary Regulations for each of the disciplines and if not issued or posted on the day, shall be sent or made available to the competitors as soon as practicable, but in no case later than 14 days after the competition has concluded.

3.22 FALSE ADVERTISEMENTS

1. Any Entrant or corporate body advertising the results of an ACU authorised competition, record attempt or official certified test, shall state the exact conditions of the performance referred to, the nature of the competition, the category and class of the motorcycle and, where applicable, the make of the engine if not the maker's own construction, and the position obtained in its category and class.
2. Any infringement of this rule, whether by way of omission from or addition to the particulars required to be stated or otherwise, shall render the person or body by whose authority or on whose behalf the advertisement is published or issued liable to the penalties provided in Chapter 10. This rule shall also apply to any advertisement in connection with any tour or test not officially observed.

3.23 PERMANENT COURSE LICENCE/TEMPORARY COURSE CERTIFICATE

1. All courses for Speed Events staged in accordance with this Code, whether permanent or temporary, must be licensed or certified by the ACU (see Chapter 8).

3.24 MINIMUM PRACTICE PERIOD

1. For any race there must be a minimum period for practice on the actual course, the details of which must be stated in the Supplementary Regulations.

CHAPTER 4 PERMITS AND ENTRIES

4.01 PERMITS

1. The ACU retains the right to require all Permits of a certain discipline of whatever status, to be issued only by the ACU Headquarters. The ACU Headquarters shall approve the date, venue and Supplementary Regulations before issuing a permit.

4.02 PERMISSION OF LOCAL CENTRE

1. Except for Road Racing, Drag, Sprint and Supermoto meetings held on courses that are subject to Permanent Course licences and other events on land with planning permission, events which are to take place either wholly or partially within the boundaries of a Centre other than that of

- the Permit Issuing Authority must be notified to the Centre in which the event is to be held by the Permit Issuing Authority prior to the issue of the permit.
2. Before issuing the Permit, the Permit Issuing Authority is required to take into account any observations, recommendations or objections made by the Centre in which the event is to take place providing these are received within 10 days following the date that the original notification was made.
 3. Approval of the Local Centre in whose territory an event is proposed to be held must be obtained by any organising club affiliated to that Centre (except for Road Racing, Drag, Sprint and Supermoto meetings held on courses that are subject to Permanent Course licences and other events on land with planning permission). Such permission shall not be unreasonably withheld.
 4. Any otherwise irresolvable disputes between event organisers or between a Permit Issuing Authority and an organiser or organisers shall be referred to ACU Headquarters for mediation. The ACU will be the final arbiter in these matters from which there will be no appeal.

4.03 APPLICATION FOR PERMIT

1. Applications for the reservation of a date as well as the issuing of a Permit, as specified in Art. 3.08, shall be lodged within the time period laid down by the Permit Issuing Authority.
2. The Permit Issuing Authority shall decide fees, together with the method and timing of payment.

4.04 WITHDRAWAL OR REFUSAL OF PERMIT

1. The Board of Directors, a Sport Committee or a Local Centre of the ACU may decline to grant or may withdraw a permit. A reason must be stated. An appeal against such a refusal or withdrawal may be made to the Judicial Panel through the General Secretary.

4.05 ENTRIES

1. Entries for all competitions shall be made on the form provided by the Organiser, based on the model specified by the ACU, and accompanied by a completed Parental Agreement form in respect of any Rider or Passenger under the age of 18 years.
2. The entry form shall provide, where appropriate, for the inclusion of the names and addresses of the Entrant, the Rider and Passenger, their Competition Licence or Individual Affiliate Member number, the registration number, make and engine capacity of machine entered, their Club and a contact telephone number for the Entrant/Rider.
3. Each entry must be signed by the Entrant, Rider and Passenger accepting the Conditions and Regulations for the competition and agreeing to be bound by them.
4. Any entry not accompanied by the required fee shall be null and void.
5. All entry forms shall be available at the start of all competitions.

4.06 ENTRIES FOR INTERNATIONAL COMPETITIONS – ABROAD

1. Entries for International competitions or European Community competitions to be held outside the territorial jurisdiction of the ACU must be endorsed by the ACU Headquarters as confirmation of all necessary insurance requirements having been met.

4.07 TIME LIMIT FOR ENTRIES

1. Entries for competitions shall close as announced in the Supplementary Regulations.

4.08 UNAUTHORISED ENTRIES

1. An Organiser shall not publish as entered, the name of any Entrant, Rider or passenger in respect of whom a duly completed entry form has not been received.

4.09 ENTRY CONTAINING A FALSE STATEMENT

1. An entry which contains a false declaration shall be considered null and void. The Entrant and/or Rider may be deemed to be guilty of a breach of these rules, and the entry fee may be forfeit.

4.10 REFUSAL OF ENTRIES

1. Organisers of competitions may select entries as they wish and (whether or not the number of entries submitted exceeds the maximum number to be accepted in the competition) may refuse any entry provided that:
 1. Notification of refusal is given in writing so as to reach the Entrant as soon as possible, and in the case of a National Competition, at the latest within 48 hours after the published date of closing of entries.
 2. No entry shall be refused on the grounds of age, gender, disability, ethnic origin, creed, colour, social status, sexual orientation, occupation, religion or political opinion.
 3. If requested to do so an organiser must inform the Competitor or Entrant of the reason for refusal or acceptance of an entry.
2. In the case of any event in a series of events the result of which constitutes a Championship, an entry may be refused only with the permission of the permit issuing authority.

CHAPTER 5 OFFICIALS CONTROL AND DIRECTION OF COMPETITIONS

1. **All competitions held under the jurisdiction of this Code shall be the responsibility of certain Officials whose duties shall be either Judicial, Executive or Administrative.**

5.01 JUDICIAL OFFICIALS

1. The International Jury:
 1. For International Meetings (refer to FIM/UEM Sporting Codes).
2. The Stewards of the Meeting:
 1. National: Three Stewards shall be present.
 2. Open and Restricted: Stewards may be appointed according to the decision of the Permit Issuing Authority.
3. The Referee:
 1. Where the Standing Regulations stipulate a Referee then he shall take the place of the Stewards and shall have the same responsibilities and authority.
4. The Clerk of the Course:
 1. The Clerk of the Course is empowered to take disciplinary action in accordance with Article 6.02.2 and to adjudicate on any protest arising out of the meeting in accordance with Article 10.04.1.
 2. Appeals against the decision of the Clerk of the Course at Open and Restricted Meetings where no ACU Steward is present.
 1. For all Road Race events the Organising Club will appoint three Stewards to hear the Appeal on the day of the event.
 2. For all other events the ACU Secretariat will appoint Stewards to hear the Appeal after the event in conjunction with the Permit Issuing Authority.

5.02 EXECUTIVE AND ADMINISTRATIVE OFFICIALS

1. Race Director. The Race Director shall be the Chief Executive Official under whose direction the Executive and Administrative Officials listed under 5.02.2 may be appointed according to the type of competition.
2. Clerk of the Course. For all competitions without a Race Director, the Clerk of the Course shall be the Chief Executive Official under whose direction the following Executive and Administrative Officials may be appointed according to the type of competition.

1. The Deputies to the Clerk of the Course
 2. The Secretary of the Meeting
 3. The Chief Timekeeper
 4. The Chief Technical Officer (or Machine Examiner)
 5. The Chief Marshal
 6. The Chief Medical Officer
 7. The Press Officer
 8. The Incident Officer
 9. The Senior Sound Inspector
3. With the exception of the Chief Medical Officer and the Press Officer, all the above named Officials and all other ACU licensed Officials shall be affiliated members of the ACU.

5.03 ASSISTANTS TO EXECUTIVE AND ADMINISTRATIVE OFFICIALS

1. Executive and Administrative Officials may have Assistant Officials such as Marshals, Trials Observers, Depot and Paddock Control Officers, Medical Personnel and First Aid assistants etc. who need not be members of the ACU.
2. The ACU reserves the right to require any category of Official to be subscribed members of the ACU and to be licensed to officiate.

5.04 REQUIREMENT TO SIGN-ON

1. As soon as possible on arrival at an event and before commencing any duties all executive, administrative and assistant officials must sign the official signing-on forms provided by the organisers.

5.05 AGE LIMITS FOR OFFICIALS AND ASSISTANTS

1. All event Executive and Administrative Officials shall be 18 years of age or over.
Marshals: All Assistant Officials whose function is to be carried out at the immediate track-side must be at least 16 years of age.
Trials Observers: Trials Observers must be at least 12 years of age.
2. Parental Agreement and responsible Persons: All Assistant Officials who are under 18 years of age must have obtained parental agreement to carry out the duty and the signing-on signature must be countersigned by someone who is responsible for the official at the event.
3. General: When using the services of minors (persons under 18 years of age) for any official duties at any event special attention must be given to any risks which may be associated with the duty, and to the previous experience of the official.

5.06 NOMINATION OF OFFICIALS

1. A Sport Committee may nominate one or more Stewards at any ACU meeting within the sporting discipline for which the Sport Committee is responsible, irrespective of the status of the meeting, and whether the ACU Headquarters or a Local Centre is the permit issuing authority for the meeting. A Local Centre may nominate one or more Stewards for any event for which it has issued a Permit and may also nominate a Steward for a Restricted meeting if it is one of the participating Centres.
2. A Local Centre may nominate Stewards for any meeting for which it has issued a Permit.
3. A Local Centre may appoint a Steward for any Open or Restricted meeting if it is one of the participating Centres mentioned in the Supplementary Regulations for the event.

5.07 PLURAL APPOINTMENTS

1. A Steward of the meeting shall not undertake any other duties except Environmental Reporting. Exception Club Stewards may undertake other duties.
2. Other Officials may undertake several different duties for which they are qualified. The Clerk of

the Course shall not undertake any other duty except Secretary of the meeting, Start and Finish Marshal and Environmental Officer.

5.08 INCOMPATIBILITIES

1. No Official acting in any executive capacity at any meeting other than a Club Restricted Trial shall be an Entrant, Rider or Passenger in that meeting. Stewards may not participate in the competition.
2. In a Club Restricted Sprint or Hillclimb event officials other than the Clerk of the Course and the Stewards are permitted to enter and compete in the event.

CHAPTER 6 TERMS OF REFERENCE AND DUTIES OF OFFICIALS

6.01 STEWARDS OF THE MEETING/REFEREE

1. All Stewards must be subscribed members of the ACU.
2. Stewards of the meeting exercise judicial authority over the running of the meeting according to the application of the Code and any Supplementary Regulations. The Stewards have no executive function. The Stewards have the power, either under their own initiative or at the request of the Clerk of the Course, for urgent reasons of safety or other unavoidable necessity, to postpone the start of a competition, modify the course, stop a competition prematurely or cancel the whole or part of a meeting. Such a decision shall not be subject to an appeal.
3. The Stewards form the only tribunal competent to adjudicate on an appeal arising out of a decision of the Clerk of the Course or other official of the meeting. They may give judgement on any appeal which may arise, subject always to such rights as are provided in this Code. They may also report such persons to the permit issuing authority for further disciplinary action.
4. The Stewards of the meeting are at all times required to have a quorum of Stewards present for making a decision as allowed under this regulation. All formal meetings of the Stewards shall be minuted.
5. If provided by the Standing Regulations then a Referee may take the function of the Stewards of the Meeting. In such case he will have the same authority and responsibilities.

6.01.1 QUORUM FOR MEETING OF STEWARDS

1. At any meeting of the Stewards, the minimum number to form a quorum shall be as laid down in NSC 5.01. If the required number is not present, in the case of more than 1, those present shall appoint a temporary substitute or substitutes to achieve a quorum.
2. The Steward appointed by the Permit Issuing authority will be the Chairman of the Stewards. In his absence the most senior Steward present will assume his responsibilities and duties.

6.01.2 STEWARDS REPORTS

1. The Stewards shall prepare and submit a report on the meeting to the authority granting the permit. Such reports shall include details of penalties imposed, protests and/or appeals lodged and decisions taken, Environmental Provisions and respect of the Environment Code together with details of any incidents involving personal injury to participants, officials or spectators notified on the day and recommendations, if any, for future events. The Stewards' report must be submitted to the Permit Issuing Authority within 7 days of confirmation of the results.

6.02 RACE DIRECTOR

1. A Race Director will be appointed by ACU Head Office only when an Event Management Committee and a Race Direction has been established for a particular National or above meeting or series of meetings. (SR's or Championship Conditions refer).
2. The Race Director is responsible for ensuring the proper observation of the Regulations and

the efficient running of the practices and races. The Race Director is also responsible for all communications between the Event management Committee and the ACU Stewards.

6.03 DUTIES OF THE RACE DIRECTOR

1. The Race Director has no competence for the application of sanctions.
2. The Clerk of the Course shall work in permanent consultation with the Race Director. The Race Director shall have overriding authority in the following matters and the Clerk of the course may give orders in respect of them only with his express agreement:
 1. The control of practice and the races, adherence to the timetable and, if he deems it necessary, the making of any proposal to the Race Direction to modify the timetable in accordance with the Sporting Regulations.
 2. The stopping of practice or the race in accordance with the Sporting Regulations if he deems it unsafe to continue and ensuring that the correct restart procedure is carried out.
 3. The starting procedure.

6.04 CLERK OF THE COURSE

1. The Clerk of the Course is responsible to the Stewards of the meeting and to the Organiser for the good management and conduct of a competition held in accordance with this Code, its Appendices, the Supplementary Regulations and the Official Programme and for the direction and control of all Officials necessary for that purpose.

6.05 DUTIES OF THE CLERK OF THE COURSE

1. Subject to the provisions of Article 6.02, the Clerk of the Course may at his own discretion:
 1. Ensure that the circuit, track, course or terrain is in good order and that all legal requirements have been met and all conditions as may be laid down by the Permit Issuing Authority are complied with.
 2. Ensure that all Officials are present and ready to carry out their allotted duty.
 3. Ensure that the medical, first aid, fire and ancillary services as may be required by the Permit Issuing Authority are on duty.
 4. Be responsible for ensuring that all riders and passengers have been correctly entered.
 5. Be responsible for ensuring that machines are correctly numbered.
 6. Report to the Stewards of the meeting all decisions taken by him in respect of disciplinary matters and to adjudicate on all protests addressed to him or to the Secretary of the Meeting, in accordance with Article 10.03.1.
 7. Collect the reports of the Timekeepers and/or in the case of Trials, the Observers and other Officials, together with any information as may be necessary for the determination of the results.
 8. Be responsible for the briefing of Officials, other than judicial Officials, as to their duties and responsibilities.
 9. Ensure that any Codes of Practice or Conduct in force at the time are complied with and that all necessary permissions have been obtained and essential services notified where required.
 10. Adjudicate on all Protests and to ensure that a written record of all decisions is handed to the Secretary of the Meeting for forwarding to the Permit Issuing Authority.
 11. Complete the Environmental Report where no Steward is appointed by the permitting authority.
 12. Ensure that the Environment Code is respected.

6.06 POWERS OF THE CLERK OF THE COURSE

The Clerk of the Course may at his own discretion:

1. Postpone the start of a meeting or competition for reasons of safety or of force majeure.
2. Stop a race or competition prematurely for reasons of safety or force majeure.

3. Prevent any rider or passenger from starting if such action is considered to be necessary for safety reasons.
4. Order the removal from the circuit, course or venue, any person refusing to obey the orders of an Official, or otherwise discipline such a person.
5. Take such disciplinary action as he may deem necessary on any rider, passenger or other person guilty of misbehaviour, or breaches of the Code or unfair practice or failure to comply with the Code or Supplementary Regulations. In speed events any verbal notification of penalty must be confirmed as soon as possible in writing. The document must give brief details of the offence as well as the penalty.
6. Report to the Stewards of the meeting any rider or passenger or any other person considered guilty of misbehaviour or breaches of the Code or unfair practice or failure to comply with the Code or Supplementary Regulations, who have not been disciplined under Article (e) above.
7. Prevent from starting any rider or passenger who is considered not qualified to start.
8. Order any rider to be flagged off the course at any time during a practice or race whom he considers for any reason to be a potential source of danger, or whom he considers is in breach of racing discipline or the sound control regulations.

6.07 SECRETARY OF THE MEETING

1. The Secretary of the Meeting is the Official responsible for the administrative organisation of the meeting whose duties shall include responsibility for:
 1. The application to the appropriate authority for a permit.
 2. The drafting of the Supplementary Regulations (SRs) and Entry Forms.
 3. The distribution of the SRs.
 4. The recruitment of Officials.
 5. The engagement of all necessary services.
 6. The confirmation of entries received and compilation of a programme.
 7. The provision and distribution of all necessary badges, passes, armbands etc.
 8. The preparation and distribution of results. The submission and accuracy of any documents as may be returned to the Permit Issuing Authority.
 9. The collection and transfer of fees and insurances.
 10. All correspondence necessary for the efficient running of the administration of the meeting.
 11. To send reports to all Disciplinary matters to the Permit Issuing Authority.

6.08 TIMEKEEPER

1. A qualified Official, appointed at the discretion of the Permit Issuing Authority, holder of an ACU Technical licence of a Grade appropriate to the status of the meeting and using apparatus of a type approved by the ACU.
2. Any other person using a timepiece or apparatus for the recording of time shall be known as a Time Marshal.
3. A Timekeeper will be considered a judge. When supplied by a Timekeeper, and apart from the correction of errors which may emerge on investigation, the times, speeds and classifications in a competition shall be taken as fact and no protest or appeal shall be accepted as to their accuracy.

6.09 CHIEF MEDICAL OFFICER

1. The Medical Officer shall be qualified in accordance with the discipline requirements stipulated within the current ACU Handbook and shall satisfy himself that:
 1. Adequate arrangements, including First Aid staff and equipment, have been made for dealing with any casualties.
 2. He is accessible to the Clerk of the Course as appropriate.

6.10 TECHNICAL OFFICIAL

1. A qualified Official, holder of an ACU Technical licence of a grade appropriate to the status of the meeting. Responsible for the enforcement of all Technical rules and specifications appearing in Appendix 'D' of the National Sporting Code, the discipline Standing Regulations and any Supplementary Regulations which may be issued for the competition. May act alone or control a team of Technical Officials. At the commencement of a meeting, all Technical Officials must report to the Clerk of the Course and 'sign-on' on the official signing-on sheet. They shall not communicate any official information to another person except as they may be required so to do in the performance of their duties.

6.11 DUTIES OF STARTER AND LINE JUDGES

1. The Clerk of the Course may undertake the duties of Starter or Line Judge, or he may appoint an Official or Officials to carry out these duties. In the case of a handicap competition, where the handicap is wholly or partly by time, the Starter shall be a Timekeeper.
2. The use by the Starter or by the Judge of mechanical appliances for facilitating starting or for recording finishes is permitted, provided that such apparatus has first been approved by the authority granting the permit.
3. No protest or appeal may be made against the decision of a Starter or Judge. A mistake made by a Judge may be corrected by him with the approval of the Stewards of the meeting.
4. The judges may perform one or both of the following duties:
 1. Starting Line Judges, whose duty is to point out any false starts to the Clerk of the Course immediately after they occur;
 2. Finishing Line Judges, whose duty is to declare the order in which competitors cross the finishing line.

6.12 INCIDENT OFFICER

1. An Official who collates all appropriate information and documentation, and subsequently prepares all reports relating to serious incidents during a meeting.

6.13 SOUND INSPECTOR

1. A qualified Official, holder of an ACU Technical licence and having charge of Sound Control apparatus approved by the ACU, who is responsible for the measurement of Sound as per the Standing Regulations.
2. A Sound Inspector will be considered a Judge. When supplied by a Sound Inspector, and apart from the correction of errors, which may emerge on investigation, the results of the Sound Inspection shall be accepted as fact with no right of protest or appeal.

6.14 TRIAL OBSERVER

1. An Observer is an assistant to the Clerk of the Course appointed to judge a competitor's performance in an observed section. No protest or appeal can be accepted against a judgement of performance made by an Observer, however a protest or appeal may be accepted against any breach or misinterpretation of the Regulations. A mistake by an Observer may be corrected by him with the approval of the Clerk of the Course and the Stewards of the Meeting.

6.15 MEASURER

1. A qualified Official, holder of an ACU Technical Licence having charge of, or access to, measuring equipment, able to verify the engine or any other controlled part of the motorcycle on the instruction of the Clerk of the Course, or to determine a protest.
2. A Measurer will be considered a Judge. When supplied by a Measurer, and apart from the correction of errors, which may emerge on investigation, the results will be taken as fact from which there is no right of protest or appeal.

3. Measurers shall not communicate their findings to another person except as they may be required to do so in the performance of their duties.

6.16 CHILD PROTECTION

1. Event organisers must appoint a person (e.g. Secretary of the Meeting), to act as a point of contact for child protection issues and the appointed person should be named as such in the Supplementary Regulations for each event.
2. Should a Child Protection incident arise during an event, the appointed person must complete the Child Protection Incident Report Form and return the completed form to the General Secretary at ACU HQ within 7 days of the close of the meeting.

CHAPTER 7 ENTRANTS, RIDERS AND PASSENGERS

7.01 ENTRANT

1. Any person or corporate body holding a licence issued by or recognised by the ACU Headquarters, which entitles the holder to enter a competitor in a competition under the name of the licence holder.

7.02 RIDER

1. The Person responsible for the control of the motorcycle and who must be either;
 1. A member of an Affiliated Local Motorcycle Club or Non-Territorial Motorcycle Club who is the holder of a Competition Licence or Trials Registration issued by the ACU or SACU valid for the type of event in which he/she wishes to compete, or, if appropriate, has paid an entry subscription, or
 2. A holder of a licence issued by a FIM member Federation. N.B. The term Rider to include the Driver of a Sidecar.

Note: The term Rider to include the Driver of a Sidecar

7.03 PASSENGER

1. The Person who accompanies a rider in a competition for Group B machines and who must be either:
 1. A member of an Affiliated Local Motorcycle Club or Non-Territorial Motorcycle Club who is the holder of a Competition Licence or Trials Registration issued by the ACU or SACU valid for the type of event in which he/she wishes to compete, or, if appropriate, has paid an entry subscription, or
 2. A holder of a licence issued by a FIM member Federation.

7.04 AGE OF RIDER AND PASSENGER

1. The age of a rider or passenger shall be as laid down in the appropriate discipline Standing Regulations.

7.05 LICENSING OF RIDERS AND PASSENGERS

1. All persons ordinarily resident in England, Wales, the Channel Islands or the Isle of Man wishing to compete as a rider or passenger in an event as described in Chapter 3 must hold a current Competition Licence, unless an entry subscription scheme has been agreed by the ACU for the discipline concerned. Persons resident in Scotland shall apply to the Scottish ACU for licences where applicable.

7.06 ENTRANTS LICENCE

1. An Entrants licence entitles the holder to enter a qualified competitor in any competition of

a status up to that authorised on the licence, but does not permit the holder to ride or be a passenger in any such competition unless they also are qualified to ride or to act as passenger.

7.07 RIDER'S LICENCE

1. A rider's licence entitles the holder to enter and ride in a competition of a status up to that stated on the licence, but does not permit the holder to nominate any other licensed rider as a replacement.

7.08 PASSENGER'S LICENCE

1. A passenger's licence entitles a holder to accompany a qualified licensed rider in a competition for Group B machines, as may be required by the Standing Regulations but does not permit the holder to ride a motorcycle in competition.

7.09 LICENCES – STATUS AND VALIDITY

1. Refer to the current edition of the ACU Handbook for details of current structure of licences according to Class, Grade and Activity.

7.10 REFUSAL OR WITHDRAWAL OF LICENCE

1. The ACU may refuse to issue, or may withdraw any licence, without giving reason, subject to the right of appeal provided for in Chapter 10 of this Code.

7.11 PRODUCTION OF COMPETITION LICENCE OR TRIALS REGISTRATION

1. All Entrants, Riders or Passengers shall carry their current Competition Licence or Trials Registration and must be prepared to produce either document when signing on at a meeting.
2. Any Rider or Passenger in possession of a current Competition Licence or Trials Registration but unable to produce it when signing on will be permitted to take part in the meeting but will be subject to a fine, payable to the ACU Benevolent Fund. The amount of the fine will be found listed in the current edition of the ACU Handbook under "Price List".
3. Any Rider or Passenger not in possession of a current Competition Licence or Trials Registration may be permitted to take part in the meeting subject to the decision of the Clerk of the Course. The Clerk of the Course will take into account the conditions relating to the issue of such a Competition Licence or Trials Registration and whether or not it is practicable to arrange for a completed Licence or Registration application form at the event. A One-Day Licence may be issued where valid for the status of the event and the discipline concerned.
4. If a late application for a Competition Licence or Trials Registration is approved by the Clerk of the Course and the Licence or Registration Fee is paid together with a fine for non-production of the Licence or Registration, described in Article 7.11.2 above, the competitor will be permitted to take part in the meeting.
5. The Clerk of the Course and the Stewards of the Meeting have no power to permit an unlicensed rider or passenger to take part in a competition for which riders and passengers must be licensed.

7.12 TECHNICAL INSPECTION

1. All special aspects of machines, helmets, clothing, and any other material items as specified by this Code and any other Standing Regulations or Final Instruction shall be subject to examination prior to the start of practice/competition.

7.13 SIGNING ON/SIGNING OFF

1. At all competitions, all riders and passengers must sign on and sign off, where directed within the Regulations.

7.14 MUTUAL RESPONSIBILITY OF ENTRANT, RIDER, PARENT/LEGAL GUARDIAN

1. An Entrant and/or rider shall be responsible for all acts or omissions on the part of his riders, mechanics, passengers or any member of his entourage, but each of these shall be equally responsible for any infringement of this Code. A parent or legal guardian of a rider or passenger participating in a competition requiring consent, is deemed to bear mutual responsibility with that competitor.

7.15 ASSUMED NAME

1. A person shall not take part in any competition under an assumed name unless special permission for the use of such assumed name has been granted by the ACU Headquarters. In such cases a licence will be issued in the assumed name, if approved, on payment of an additional fee. The licensee, for so long as he is registered under an assumed name, shall not take part in any competition under any other name, and shall not revert to the use of his own name until he has obtained a fresh licence in his own name from the ACU Headquarters.

7.16 CHANGE OF RIDER, PASSENGER OR MOTORCYCLE

1. It is not permitted to change a rider, passenger, make or capacity of motorcycle, after the start of any meeting unless such change is authorised in the appropriate discipline Standing Regulations.
2. Unless specifically prohibited, or otherwise provided for in the Standing Regulations, change of rider, passenger or the make or capacity of motorcycle may be considered by the Secretary of the meeting after entries have closed, provided the entrant notifies him, in writing, at least 24 hours before the official starting time of the competition of some good and sufficient reason why, the entered rider or passenger is unable to take part in any competition on that date, or why the entered motorcycle cannot be produced on that date.
3. If the composition of any team is affected by an authorised change as above, the entrant of that team or his representative may, up to the official starting time of the competition, replace the rider so affected by any other entered riders otherwise eligible for the team.
4. A change of both rider and make of motorcycle is not permitted unless the authority granting the permit has specifically approved the Supplementary Regulations providing for such changes being made.
5. In a competition, a substitute rider may be nominated only by a licensed entrant.

7.17 CONDUCT OF RIDERS

1. Any rider who, having entered in any competition, does not make a bona fide attempt to succeed may be deemed to be guilty of a breach of this Code.

7.18 IRREGULAR ENTRIES

1. Any rider or passenger who has entered a competition and does not participate therein, but participates or has been entered in another competition at another meeting on the same day shall be in breach of this Code.

7.19 ABSENTEES

1. Unless it can be justified, the absence of any competitor who has entered a competition and is not present at the start shall be in breach of this Code.

7.20 WITHDRAWAL OF ENTRY

1. The Entrant/Rider may only withdraw the entry with the permission of the organiser.

7.21 FINISH OF A MEETING AND PRIZE GIVING

1. A meeting is not considered to be finished until the time-limits for protests and appeals have

elapsed and all protests and appeals have been settled. If an appeal is lodged, the results cannot be considered as definitive until a final decision has been taken. The riders placed first, second and third will be asked to attend the official prize giving ceremony, if any. Where the results are announced at the meeting the race control must remain operative with all equipment in place until the end of the period for lodging a protest. All officials and marshals must remain at the circuit and be available to the Clerk of the Course and the Stewards of the Meeting.

CHAPTER 8 COURSES AND PUBLIC SAFETY

8.01 COURSES

1. The route to be followed by a competitor in a competition, including record attempts, shall be subject to the approval of the authority issuing the permit.

8.02 PERMISSION TO USE LAND

1. No competition shall be promoted on either a public or private road, track or elsewhere until the Organisers have obtained the necessary lawful authority from the appropriate public authorities or private individuals and landowners; and except for Road Race, Supermoto, Drag or Sprint meetings to be held on courses which are subject to Permanent Course Licences, have consulted with the permit issuing authority.

8.03 MEASUREMENT OF DISTANCE ON THE COURSE

1. Distances up to 5 kilometres shall be measured along the centre line of the course by a competent Official; distances over 5 kilometres shall be determined by means of the Ordnance Survey map of a scale of not less than 1:250,000.

8.04 LICENSING OF COURSES FOR SPEED EVENTS

1. All courses for Speed Events staged in accordance with this Code, whether permanent or temporary, must be licensed or certified by the ACU.
2. In the case of Speed events under the jurisdiction of the Road Race Committee where the arrangements for marking or enclosing the course are permanent or semi-permanent; and where there is permanent or semi-permanent accommodation, such as stands etc. for the public, Permanent Course Licences will be issued to the owner, or operator of the course. Where the licence holder is not the owner, a written agreement shall exist between the owner and the licence holder setting out the responsibilities of each to ensure that all requirements of the Course Licence are met.
3. In all other cases, a Temporary Course Certificate will be issued to the organising Club or Local Centre in whose territory the course is situated.
4. No course shall be used for an ACU Permitted meeting until a Permanent Course Licence or Temporary Course Certificate has been issued by the ACU Headquarters or its designated official, which may grant, refuse, withhold, suspend or revoke a licence or certificate at its discretion. A Permanent or Temporary Course inspection shall be valid for 1 year from the date of issue subject to payment of an annual Licence or Certificate fee according to the scale of fees that apply from time to time and subject to the conditions applicable to the issuing of the licence or certificate.

8.05 APPLICATION FOR PERMANENT COURSE LICENCE

1. An application for a Permanent Course Licence must be made on the prescribed form, either direct to the ACU HQ or through the Local Centre to the ACU HQ as appropriate, and be accompanied by the annual fee as specified in a schedule of fees reviewed annually.
2. A plan of the Site giving Ordnance Survey Map reference numbers, based on Ordnance Survey Maps 1:50,000 Series with a 6 figure map reference or showing in sufficient detail, the existing

or proposed course, together with details of length, direction of racing, measures for the protection of the public, and such other information as required on the Application Form, shall also be submitted.

8.06 VALIDITY OF PERMANENT COURSE LICENCE OR TEMPORARY COURSE CERTIFICATE

1. A course licence or certificate is valid only where a Permit has been issued by the ACU Permitting authority. The licence or certificate shall not have any validity on any day nor at any activity for which an ACU Event Permit is not in force. A course licence or certificate is to be read in conjunction with and be deemed to incorporate all and any terms, conditions and provisions contained within or set out within the Permit.
2. The ACU may refuse, withhold, suspend, revoke a licence or certificate at its discretion.

8.07 DISPLAY OF PERMANENT COURSE LICENCE

1. A Permanent Course Licence must be prominently displayed at the course for which it is issued.

8.08 APPLICATION FOR TEMPORARY COURSE CERTIFICATE

1. An application for a Temporary Course Certificate must be made on the prescribed form, through the Local Centre to the ACU Headquarters, and be accompanied where appropriate by the annual fee as specified in a schedule of fees reviewed annually, and by site information as required under Art. 8.05.
For Grass and Sand Track races the plan need only specify location, site access details and any special measures for the protection of the public.

8.09 AVAILABILITY OF TEMPORARY COURSE CERTIFICATE

1. The Temporary Course Certificate should be available for inspection at the circuit for which issued prior to commencement of practice or racing.

8.10 RESPONSIBILITY OF LICENCE/CERTIFICATE HOLDER AND ORGANISER

1. Where the Licence/Certificate holder is not also the organiser of a meeting, an agreement, approved by the ACU Headquarters, shall be completed between the Licensee/Certificate holder and the organiser, detailing the division of responsibility for carrying out the requirements of the licence/certificate and of the organisation of the meeting.

8.11 ALTERATION TO CONDITIONS

1. No alteration to the requirements contained in a Permanent Course Licence or Temporary Course Certificate shall be made without the prior approval in writing of the ACU Headquarters or, in the case of unavoidable necessity, by the Stewards of the Meeting. In the latter case details of the alterations permitted must be given immediately after the meeting to the authority granting the permit.

8.12 COURSE INSPECTION

1. Each course for which application is made for a Permanent Course Licence or Temporary Course Certificate, shall be inspected by an Official appointed by the ACU Permit issuing authority. The general conditions governing the safety of the public shall be as laid down in "Safety Precautions" within the current edition of the ACU Handbook and as further detailed on the Permanent Course Licence or Temporary Course Certificate, together with the maximum number of competitors permitted in any one race. The direction of racing must be shown.

8.13 RE-INSPECTION AND AMENDMENT OF LICENCE OR CERTIFICATE

1. The ACU Permit issuing authority reserves the right to re-inspect a course at any time and to amend the conditions or requirements of a Permanent Course Licence or of a Temporary Course Certificate.

CHAPTER 9 ANTI-DOPING, ALCOHOL AND MEDICAL**9.01 ANTI-DOPING**

1. Doping is the occurrence of one or more of the anti-doping rule violations which are:
 - The presence of a prohibited substance or its metabolites or markers in a rider's bodily specimen.
 - The use or attempted use of a prohibited substance or a prohibited method.
 - The possession of prohibited substances and methods.

9.02 PROHIBITED SUBSTANCES AND METHODS

1. The ACU list of prohibited drugs is the list agreed by UK Sport and WADA and published by them and also in the FIM Anti-Doping Code.

9.03 RULES FOR THE ENFORCEMENT OF ANTI-DOPING

1. The ACU Headquarters or UK Sport may order drug tests at any meeting organised under the jurisdiction of the ACU.
2. The riders or passengers to be tested must report to the Doping Control Officer (DCO) with their licences within one hour of the rider being notified, or within one hour after the finish of the last race in which the rider or passenger took part. One chaperone may accompany the rider or passenger.

9.04 TESTING PROCEDURE

1. The testing procedures at ACU events shall be the current Drug Testing Procedures as employed by UK Sport.

9.05 COSTS FOR ANTI-DOPING TESTS

1. The cost of the primary tests will be paid by the ACU. In the case of a competitor requesting a second test, he/she should deposit a sum equal to the ACU appeal fee with the ACU. If the second test is negative, the deposit shall be returned.

9.06 SANCTIONS

1. Sanctions are imposed against the competitor:
 - whose tests prove positive
 - who refuses to undergo a test or who does not report to the drug test centre when notified to do so.

9.07 PENALTIES

1. The minimum penalty for a first offence will be a two year suspension. For subsequent offences suspension may be imposed (see article 10.02.1).

9.08 ALCOHOL

1. Tests may be carried out, on any participant at an event, prior to practice or a race or at any time during the event by means of the standard breath test system. A nominated Breath Alcohol Technician will carry out the tests. A positive breath test or a refusal to undergo a test will result in disqualification from the event as a minimum sanction. The permitted level of alcohol is 0.10g/L.

9.09 MEDICAL EXAMINATION

1. At any time during an event a special medical examination (which may include urine dipstick testing for drugs) may be carried out by an official event Doctor nominated by the Chief Medical Officer at the request of the Race Director, Clerk of the Course or Chief Medical Officer. Any competitor who refuses to submit to such a medical examination will be disqualified from the event and details reported to the ACU Headquarters.

CHAPTER 10 DISCIPLINARY AND ARBITRATION CODE**10.01 PRINCIPLES**

1. **Trials and Enduro only.** It should be noted that non-disciplinary decisions of the Clerk of the Course (e.g. Course changes – observers decisions and the like are dealt with by direct Appeal to the Stewards. Appendix B of this Chapter refers.
2. The duties, powers and responsibilities of the bodies and delegates of the ACU are set out in the ACU Rules and Bye-Laws.
3. Similarly, the obligations incumbent upon the participants, officials and organisers of sporting events are set out in the ACU National Sporting Code (NSC) and in any other rules and regulations which are or may be introduced and published by the ACU.
4. Proven violation or non observance of these obligations will be subject to the penalties laid down in this Disciplinary and Arbitration Code.

2. DATE OF APPLICATION

1. This Code cancels and replaces all prior publications.
2. Changes may be made to this code each time the ACU deems it necessary as a result of experience or evolution.

10.02 PENALTIES

1. The penalties are:
 - Warnings
 - Licence withdrawal or amendment
 - Fines
 - Time and/or point penalties
 - Disqualification
 - Withdrawal of Championship points
 - Suspension
 - Exclusion

10.02.1 DEFINITION AND APPLICATION OF PENALTIES

Warnings: Can be made privately or publicly.

Licence Withdrawal or Amendment The withdrawal or amendment of the terms or conditions appertaining to any ACU licence.

Fines Cash penalty (see also Art.10.02.2.2 below)

Time and/or point penalty or suppression of time The imposition of time or points affecting the rider's actual result or suppression of time.

Disqualification Entails automatically and independently of any other penalty, the invalidation of the results obtained in a meeting, event, practice, race or ranking there from.

Withdrawal of Championship points Entails the loss of Championship points.

Suspension Entails the loss of all rights granted to ACU members or Licence Holders, or prohibition from taking part in any of the activities under ACU control for a specified period of time. The application of this penalty may be conditionally deferred for a period of up to a maximum of two years.

Exclusion Entails the final and complete loss of all rights of participation in any activity under ACU control.

10.02.2 SPECIFIC PENALTIES

1. Specific penalties for certain offences are provided for in the NSC the Appendices, Regulations, and/or Supplementary Regulations.
2. Fines will not normally be awarded against Voluntary Officials.

10.02.3 PLURALITY OF PENALTIES

1. Any offender may have several penalties pronounced against him according to the circumstances.
2. Certain penalties entail suspension of the ACU Licence or Registration until the penalty inflicted has been fulfilled.

10.03 THE ACU DISCIPLINARY AND ARBITRATION BODIES

10.03.1 THE ACU SPORT COMMITTEES

10.03.1.1 AUTHORITY

1. The ACU Sport Committees have the power to penalise any voluntary or involuntary act or deed made by any person or ACU Licence holder in case of proven violation or non observance of Regulations.
2. In all such cases the alleged offender has the right to appear before the Committee at the time of the Hearing or to elect that the case be heard in his absence.

10.03.1.2 PENALTIES THAT MAY BE IMPOSED BY A SPORT COMMITTEE

1. The following penalties may be imposed by the Sport Committees without prejudice to Articles 10.02 and 10.03.
 A Warning
 A fine up to a maximum of £500
 A licence withdrawal or amendment
2. Furthermore, the Sport Committees can refer the case to the Judicial Panel in order to impose a higher penalty than the Sport Committee is empowered to do.

10.03.2 THE CLERK OF THE COURSE

10.03.2.1 APPOINTMENT

1. The Clerk of the Course is the person appointed to exercise supreme control of the meeting.

10.03.2.2 AUTHORITY

1. The Clerk of the Course has the authority to penalise automatically:
 - 1.1 Any voluntary or involuntary action or deed made by any person or ACU Licence Holder(s) during a meeting contrary to the current regulations or instructions given by an official of the meeting.
 - 1.2 Any corrupt or fraudulent act, or any action prejudicial to the interests of the meeting or of the sport, carried out by a person or ACU Licence Holder(s) during a meeting.
 - 1.3 The Clerk of the Course is empowered to adjudicate upon any protest lodged during a meeting.

10.03.2.3 PENALTIES THAT MAY BE IMPOSED BY THE CLERK OF THE COURSE

1. The following penalties may be imposed by the Clerk of the Course without prejudice to Articles 10.02 and 10.03:
 - A warning
 - A time and/or point penalty
 - A stop and go penalty
 - A ride through penalty
 - The Black Flag
 - A fine, subject to a maximum of £500
 - Disqualification (black flag, black flag with orange disc – disqualification from the event, practice or results).
2. Furthermore the Clerk of the Course can refer the case to the Judicial Panel in order to impose a higher penalty than he is empowered to do.

10.03.3 THE STEWARD(S) OF THE MEETING**10.03.3.1 APPOINTMENT**

1. The Steward(s) of the Meeting are appointed according to the requirements laid down in Chapter 5 of the ACU National Sporting Code.

10.03.3.2 CHIEF STEWARD

1. According to this Code the ACU enjoys the same rights and obligations as the other parties.
2. The ACU may be present in person at a hearing or may present its claims in writing.
3. When appointed by the permit issuing authority a Steward will act as the Chief Steward and will chair all meetings of the Steward(s). In the case of equality of votes he will have an additional casting vote.

10.03.3.3 AUTHORITY

1. The Steward(s) will hear any appeal arising from decisions taken by the Clerk of the Course in judging any Protest at a Meeting.

10.03.3.4 PENALTIES THAT MAY BE IMPOSED BY THE STEWARD(S) OF THE MEETING ONLY FOLLOWING AN APPEAL

- A warning
- A fine – subject to a maximum of £500
- A time penalty
- A disqualification
- A withdrawal of Championship Points
- A suspension – subject to a maximum period of 30 days

Furthermore, the Steward(s) may refer the case to an ACU Court of Enquiry (COE) in order to impose a higher penalty than the Stewards are empowered to do.

10.03.4 THE PANEL OF ADJUDICATORS (POA)**10.03.4.1 COMPOSITION**

1. The Panel of Adjudicators is composed of twelve persons elected annually by the National Council for a period of three years commencing on the 1st January in any year. A maximum of three will be appointed to hear any appeal.

10.03.4.2 AUTHORITY

1. The Panel will hear appeals against non-disciplinary decisions of Sport Committees or Local Centres.

Decisions of the Panel of Adjudicators are final.

10.03.5 THE JUDICIAL PANEL

1. The Judicial Panel is composed of persons from which the members of ACU National Courts are nominated.

10.03.5.1 CONSTITUTION

1. The Judicial Panel shall consist of:
A qualified legal adviser appointed by the Board of Directors (BOD) of the ACU.
Members nominated by the Board of Directors and Main Committees of the ACU.
Members of the Panel of Adjudicators.

10.03.5.2 PROCEDURES

1. The General Secretary having established that the procedures have been followed and/or that the case can be heard will appoint members to form the appropriate disciplinary or arbitration body. The names of the members appointed must be communicated to all interested parties in the case.

10.03.6 THE ACU AS A PARTY IN THE JUDICIAL PROCEEDINGS**10.03.6.1 FUNCTION**

1. In all proceedings before an ACU Court the Board of Directors (BOD) of the ACU or the relevant Sport Committee is entitled to assert its interests by means of a prosecution address.

10.03.6.2 APPOINTMENT

1. The Board of Directors (BOD) of the ACU or the relevant Sport Committee shall appoint a person who will represent the ACU.

10.03.6.3 PROCEDURE

1. The intervention of the ACU is optional and is left to the discretion of the Board of Directors (BOD) of the ACU or the relevant Sport Committee.

10.03.7 ACU COURTS OF ENQUIRY (COE)**10.03.7.1 NATIONAL COURT****10.03.7.2 COMPOSITION**

1. For each case the National Court is made up of 3 members from the judicial panel appointed by the General Secretary of the ACU.

10.03.7.3 AUTHORITY

1. The National Court will hear any appeals against decisions taken by the Stewards of a Meeting.
2. The National Court adjudicates in the first instance upon request of the Board of Directors (BOD) of the ACU, the Sport Committees or other competent bodies of matters of violation or non-observance of the ACU rules and regulations.

10.03.7.4 ACU LOCAL CENTRE COURTS**10.03.7.5 COMPOSITION**

1. For each case the Local Centre Court is made up of 3 members appointed by the Management Committee of the Local Centre in accordance with the Local Centre Bye-Laws.

10.03.7.6 AUTHORITY

1. The Local Centre Court adjudicates upon any dispute or complaint or disciplinary matter in connection with any of its affiliated Clubs or Members of such Clubs.
2. The Local Centre Court also adjudicates upon any matter referred to it by the Stewards of any meeting for which the Centre was the Permit Issuing Authority (PIA).

10.03.7.7 SCOTTISH ACU COURT**10.03.7.8 AUTHORITY**

1. A court appointed by the Scottish ACU shall adjudicate upon any complaint or disciplinary matter arising within the territory of the SACU.

10.03.8 THE ACU FINAL TRIBUNAL OF APPEAL (FTA)**10.03.8.1 COMPOSITION**

1. The tribunal is composed of three members appointed by the General Secretary of the ACU at least one of whom will be legally qualified. No member who previously dealt with the case in question may be appointed.
2. The Tribunal is the final appeal body of the ACU against any decisions taken by an ACU Court.

10.04 PROTESTS AND APPEALS**10.04.1 RIGHT OF PROTEST**

1. Any Rider, Passenger Entrant or Official licenced by the ACU affected by a decision taken during a meeting held under an ACU Permit has the right to protest against that decision.
2. No protest can be lodged against a statement of fact pronounced by the Clerk of the Course or any other executive official. Statements of Fact are defined in the relevant Appendices and Regulations.

10.04.2 WITHHOLDING OF PRIZES AND AWARDS IN CASE OF PROTEST OR APPEAL

1. Any Award gained by an entrant, rider or passenger against whom a protest or appeal has been lodged shall be withheld until the protest or appeal has been adjudicated upon and the time for any further appeal has expired without notice of appeal having been given.

10.04.3 PROCEDURE AND TIME LIMIT FOR PROTESTS

1. All protests must be submitted in writing and signed only by the person directly concerned.
2. Protests must refer to a single subject only and must be presented within 30 minutes at the latest of the publication of the results unless otherwise defined in the relevant Appendices and Regulations.
3. During a meeting, protests must be submitted according to the provisions of the Supplementary Regulations and handed to the Clerk of the Course or Secretary of the Meeting together with the correct protest fee.
4. Any Protest against the eligibility of a rider, passenger, team or a motorcycle entered must be made before the start of the official practice unless otherwise defined in the relevant Appendices and Regulations.

10.04.4 PROTEST FEES

1. The Protest Fee at an International Meeting held under an ACU Permit is £100. The Protest Fee at any other meeting under an ACU permit is £50.

10.04.5 HEARING A PROTEST

1. After a hearing, the Clerk of the Course must make a decision on any protest presented during a meeting. The protest has to be judged according to the provisions of the ACU National Sporting Code and its Appendices and the Supplementary Regulations of the Meeting.

10.04.6 EFFECT OF THE DECISION OF THE CLERK OF THE COURSE

1. The decisions of the Clerk of the Course on the determination of penalties are immediate.

10.04.7 RIGHT OF APPEAL

1. The provisions concerning appeals against ACU disciplinary decisions incurring one of the penalties stated in Article 10.02 are as follows:
 1. Against the decision of a Sports Committee in a disciplinary matter to the COE.
 2. Against the decisions of the Clerk of the Course following a protest to the Stewards of the Meeting.
 3. Against the decisions of the Stewards of the Meeting to the COE. (or LCC where the Centre is the PIA).
 4. Against the decision of the LCC to the COE.
 5. Against the decision of the Scottish ACU to the COE.
 6. Against the decisions of the COE to the FTA.

10.04.8 PROCEDURE AND TIME LIMITS FOR THE LODGING OF APPEALS

1. All appeals must be submitted in writing and signed only by the person directly concerned.
2. During a meeting, appeals against a decision of the Clerk of the Course must be presented in writing to the Stewards within 30 minutes and must refer to a single subject only and be accompanied by the correct appeal fee.
3. The time limit for lodging a statement of appeal is:

Against a decision of the Clerk of the Course to the Stewards of the Meeting:	30 minutes
(Time limits for Appeals in respect of Trials and Enduro appear in Appendix B)	
Against a decision of the Stewards of the Meeting to the COE	5 days
Against a decision of a Sports Committee in a disciplinary matter to the COE	5 days
Against a decision of the COE to the FTA	5 days
Against a decision of a Centre Court to the COE	5 days
Against a decision of the Court of the Scottish ACU to the COE	5 days
Against a decision of a Sport Committee to the Panel of Adjudicators	5 days
Statement of appeal before the National Sport Dispute Resolution Panel	5 days
4. The time limit shall be taken from the time or date of receipt of the decision appealed against.

10.04.9 LODGING OF AN APPEAL TO A LOCAL CENTRE COURT

1. Where the Permit Issuing Authority was a Local Centre Appeals arising out of the meeting will be heard by a Local Centre Court. In all such cases a further right of Appeal exists to the COE.
2. To be admissible, the statement of appeal must be sent by Special Delivery letter or special courier to the Secretary of the Permit Issuing Authority (Local Centre) and be postmarked within the deadlines specified in Article 10.04.8.
3. The correct appeal fee must be paid in to the Secretary of the Permit Issuing Authority within the deadlines specified in Article 10.04.8.
4. Within 10 days following the statement of appeal the appellant assigns to the Secretary of the Permit Issuing Authority a brief of appeal stating the facts.

- If the Local Centre Court (LCC) appeal was not lodged and/or the appeal fee not paid within the deadlines specified in Article 10.04.8 the Secretary of the Permit Issuing Authority is empowered to declare the appeal inadmissible without hearing.

10.04.10 LODGING OF AN APPEAL TO THE COE/FTA/POA

- To be admissible, the statement of appeal must be sent by Special Delivery letter or special courier to the General Secretary of the ACU and be postmarked within the deadlines specified in Article 10.04.8. The correct appeal fee must be paid in to the General Secretary of the ACU within the deadlines specified in Article 10.04.8.
- Within 10 days following the statement of appeal the appellant assigns to the General Secretary of the ACU a brief of appeal stating the facts.
- If the COE/FTA/POA appeal was not lodged and/or the appeal fee not paid within the deadlines specified in Article 10.04.8 the General Secretary of the ACU is empowered to declare the appeal inadmissible without hearing.

10.04.11 APPEAL FEES

- The appeal fee is determined by the Board of Directors (BOD) of the ACU.
- The fee for an appeal against a decision of the Clerk of the Course to the Stewards of the Meeting is £50.
- The fee for an appeal against a decision of the Stewards of the Meeting, to the Local Centre Court is £150.
- The fee for an appeal against a decision of the Stewards of the Meeting or the Local Centre Court to the COE or the Scottish ACU is £300.
- The fee for an Appeal against a decision of a Sports Committee in a disciplinary matter to the COE is £300.
- The fee for an appeal against a decision of the COE to the FTA is £5000.
- The fee for a first appeal by a Licenced Official/competitor against a decision of a COE to the FTA is £500.

10.04.12 FEES PAYABLE UPON AN ADJOURNMENT

- If an adjournment to call further witnesses is ordered upon the request of one of the parties involved, this party must provide an additional financial guarantee within a time limit to be fixed by the disciplinary body. The hearing will not be continued until this guarantee has been paid. In case of no provision of the guarantee within the time limit, the disciplinary body will make a determination of the appeal based on the evidence of the original witnesses.

10.04.13 FEES PAYABLE UPON WITHDRAWAL OF AN APPEAL

- If an appeal is withdrawn prior to a hearing the appeal fee will be forfeited.

10.04.14 TIME LIMITS FOR THE HEARING OF APPEALS

- The time limit for the hearing of appeals is:

Against a decision of the Clerk of the Course to the Stewards of the Meeting: (Time limits for Appeals in respect of Trials and Enduro appear in Appendix B)	Same day
Against a decision of the Stewards of the Meeting by the COE	4 weeks
Against the decision of a Sports Committee in a disciplinary matter to the COE	4 weeks
Against a decision of the COE to the FTA	8 weeks
Against a decision of a Centre Court to the COE	4 weeks
Against a decision of the Court of the Scottish ACU to the COE	4 weeks
Against a decision of a Sport Committee to the POA	4 weeks
- The time limit shall be taken from the time or date of receipt of the decision appealed against.
- In all cases the appeal bodies must pronounce a decision.

10.04.15 EFFECT OF AN APPEAL

1. On request of the appellant, the COE may decide a stay of the decision of the Stewards of the Meeting.
2. On request of the appellant the FTA may decide a stay of the decision of the COE.

10.05 PROCEDURE BEFORE ALL THE DISCIPLINARY AND ARBITRATION BODIES**10.05.1 RIGHT TO A HEARING**

1. It shall be the unquestionable right of any person or body charged with any offence under the National Sporting Code, its Appendices or the Rules of the ACU to defend themselves either in person or by proxy. Any party convened before a disciplinary or arbitration body has the right to be represented by one defence counsel of its own choice and at its own expense. Adequate notice of this intention must be given to the ACU in order that this may be notified to all other parties in the case. Failure to do so may result in the disciplinary or arbitration body upholding an objection to such representation. If any of the parties duly convened do not appear, judgement can be rendered by default. The discipline or arbitration bodies may propose that the hearing take place by means of a telephone conference call, or through any other means of communication, using a telephone or other electronic device. Such a method of conducting a hearing shall only take place with the consent of all parties involved.

10.05.2 THE HEARING

1. The hearing shall be open unless the disciplinary or arbitration body itself decides otherwise in exceptional circumstances.
2. The appellant must be present or duly represented, failing which, the appeal will not be admissible and the costs shall be borne by the appellant.
3. Once the Chairman has opened the proceedings, he will invite the parties involved to state their respective cases without the witnesses being present.
4. After statements of the parties concerned, the disciplinary or arbitration body shall hear the various witnesses and experts in order to complete the evidence. The parties involved in the case shall have the right to question all witnesses and experts on their evidence.
5. Any member of the disciplinary or arbitration body may, at any time during the hearing and with the Chairman's approval, question any of the parties, witnesses and experts involved.

10.05.3 WITNESSES AND EXPERTS

1. Each party is responsible for the convening and appearance of its own witnesses, as well as their expenses unless the Court decides otherwise.
2. The disciplinary or arbitration body has no authority to oblige the witnesses to swear on oath, therefore testimony shall be given freely. The witnesses may only testify to the facts they know and shall not be allowed to express an opinion unless the disciplinary or arbitration body should regard them as experts on a particular subject and should ask them to do so.
3. After having made their statements, the witnesses may not leave the Courtroom and shall not be allowed to speak to any other witness who has still to give evidence.
4. The Court may summon experts.

10.05.4 JUDGEMENT

1. Decisions of all disciplinary or arbitration bodies will be reached in camera by a simple majority of votes. All members will have equal voting rights which must be exercised when a decision is required. Abstention is not permitted.
2. Each member of the disciplinary or arbitration body binds himself to keep all deliberations secret.

10.05.5 NOTIFICATION OF JUDGEMENTS

1. The decision of the Clerk of the Course and the Stewards of the Meeting must be notified in writing directly after the hearing. All judgements of the COE the POA and the FTA must be notified in writing by Special Delivery letter to inform all the parties concerned.

10.05.6 PUBLICATION OF JUDGEMENTS

1. The disciplinary or arbitration body adjudicating a Protest or an Appeal has the right to publish or have its judgements published and to quote the names of all parties concerned. The persons or bodies quoted in these statements have no action against the ACU, nor against any person having published the statement. Furthermore, final decisions will be published in the ACU Magazine and/or the ACU website unless the Court itself decides otherwise.

10.06 COSTS OF PROCEDURE

1. The costs of a disciplinary or arbitration decision will be assessed by the General Secretary and will be awarded against the losing party unless the Court decides otherwise. In cases involving Voluntary Officials the Costs may be awarded against the body which appointed the Official concerned at the discretion of the Court.

10.06.1 PAYMENT OF FINES AND COSTS

1. If a penalty is definitive and either the fine and/or the costs are not paid within 30 days of notification of the decision, the person or body affected by the decision shall be automatically suspended from participation in all ACU activities until such time as full payment is received.

10.07 RECIPROCITY OF PENALTIES

1. The ACU will withdraw the Licence of any person who is subject to a penalty of suspension or disqualification by the MCRCB or an FMN.

10.08 LAW OF MERCY

1. The Board of Directors of the ACU after consultation with the Chairman of the disciplinary body concerned or upon a proposal from the latter may recommend to the National Council of the ACU that the penalty of a person having exhausted all the appeal procedures be mitigated or completely quashed.

10.09 ARBITRATION CLAUSE

1. Final decisions handed down by the jurisdictional organs of the ACU shall not be subject to appeal in the ordinary courts. Such decisions must be referred to the Sports Resolutions (UK) within the time limit for appeal as laid down in Article 10.04.7, which shall have exclusive authority to impose a definitive settlement in accordance with the Code of Arbitration applicable to sport.

CHAPTER 11 OFFENCES AND PENALTIES**11.01 BREACH OF RULES**

1. Any of the following offences, in addition to other offences specifically referred to previously or hereafter, shall be deemed to be a breach of this Code:
 1. bribery, or attempt, directly or indirectly, to bribe any person having official duties in relation to a competition or the acceptance of or offer to accept a bribe by such Official or Employee,
 2. any attempt to influence improperly any Official in the course of their duties,
 3. any action having as its object the entry or participation in a competition of a person or motorcycle known to be ineligible therefore,

4. any fraudulent act or proceeding in connection with a competition or of the sport of motorcycling generally.
5. competing for, accepting or offering to accept, or advertising an award, in the nature of a title or Championship, in respect of a motorcycle competition, unless such award is recognised by the ACU Headquarters,
6. any proceeding or act prejudicial to the interests of, any part or body of the ACU, or of the sport of motorcycling generally,
7. any act which is of a violent, threatening or abusive nature to any Official, Rider or Passenger or any other person. For the purpose of this article, a prejudicial act shall be deemed to include (but not be limited to) the non-payment of fines, affiliation fees, permit fees, licence fees and insurance premiums. For the purpose of this article, the parent or legal guardian of a Rider or Passenger, or any member of his entourage, is deemed to bear mutual responsibility with that Rider or Passenger.

11.02 RE-RUN

1. No judicial authority shall have the power in its judgement on a protest or appeal to order either a part or the whole of a competition which has been completed to be run again.

11.03 ALLOCATION OF PROCEEDS FROM FINES ETC.

1. The proceeds from all fines, forfeited protest fees and appeal fees, shall be remitted to the ACU Headquarters, which will pay them into the ACU Benevolent Fund.

11.04 QUASHING A COMPETITION

1. The authority granting the permit may declare any competition null and void, subject to the right of appeal as provided in these Rules.

11.05 NOTICES

1. Any communications required under the Rules to be made to the ACU Headquarters shall be addressed to the registered office of the ACU, ACU House, Wood Street, Rugby, Warwickshire CV21 2YX or to such other address as may be duly notified from time to time.
2. Any communications required under these Rules to be sent to an entrant or rider shall be sent to the address on his entry form or, if he is the holder of a licence issue by the ACU, to the address on the licence. Any communications to be sent to an Organiser shall be sent to the address on the relevant Supplementary Regulations.
3. Any communications to be sent to an appellant under these Rules shall be sent to the address upon the notice of appeal.

Any communications so sent by special delivery shall be deemed to have reached the addressee by normal delivery of post.

APPENDIX A DISCIPLINARY DECISIONS & PROTEST & APPEAL PROCEDURE

DISCIPLINARY PROCEDURE

PROTEST & APPEAL PROCEDURE

DISCIPLINARY DECISION
(By the Clerk of the Course issued in writing)

Decision Issued in Writing
Protest Permitted

RIGHT OF PROTEST (To the Clerk of the Course)
Any ACU licensed Rider, Passenger Entrant or Official affected by a decision taken during a meeting held under an ACU Permit has the right to protest against that decision. No protest can be lodged against a statement of fact pronounced by the Clerk of the Course or any other Executive Official.

PROTEST FEES

International Competition	£100.00
National/Restricted/Closed Competition	£50.00

PROCEDURE AND TIME LIMIT FOR PROTESTS
All protests must be submitted in writing and signed by the person directly concerned. Protests must refer to a single subject only and be presented within 30 minutes at the latest of the publication of the results unless otherwise provided in the Appendices of the ACU National Sporting Code. During a meeting, protests must be handed to the Clerk of the Course or Secretary of the Meeting accompanied by the correct protest fee. Any Protest against the eligibility of a rider, passenger, team or a motorcycle entered must be made before the start of the official practice unless otherwise defined in the relevant Appendices and Regulations.

Clerk of the Course (COC)

Decision
Appeal Permitted

PROCEDURE AND TIME LIMIT FOR APPEALS (To the Steward(s))
All Appeals must be submitted in writing and signed by the person directly concerned. Appeals may be made against any decision previously made by Clerk of the Course. Appeals to the Steward(s) must be made within 30 minutes unless otherwise provided in the relevant Appendices of the ACU National Sporting Code or Regulations.

APPEAL FEE

To the Stewards of the Meeting	£50.00
--------------------------------	--------

TIME LIMITS FOR THE LODGING OF APPEALS

Against a decision of the Clerk of the Course to The Steward(s) of the Meeting	30 minutes
Against a decision of the Steward(s) of the Meeting to the ACU Court of Enquiry (COE)	5 days
Against a decision of the COE to the Final Tribunal of Appeal (FTA)	5 days
Statement of Appeal before the FTA	5 days

The time limit shall be taken from the time or date of receipt of the decision appealed against.

Decision of FTA
No further appeal

ACU Final Tribunal of Appeal (FTA)

Decision
Appeal permitted to Final Tribunal of Appeal (FTA)
Appeal Fee £5,000

ACU Court of Enquiry (COE) Rugby

Decision
Appeal permitted to ACU Court of Enquiry at Rugby (COE)
Appeal Fee £300

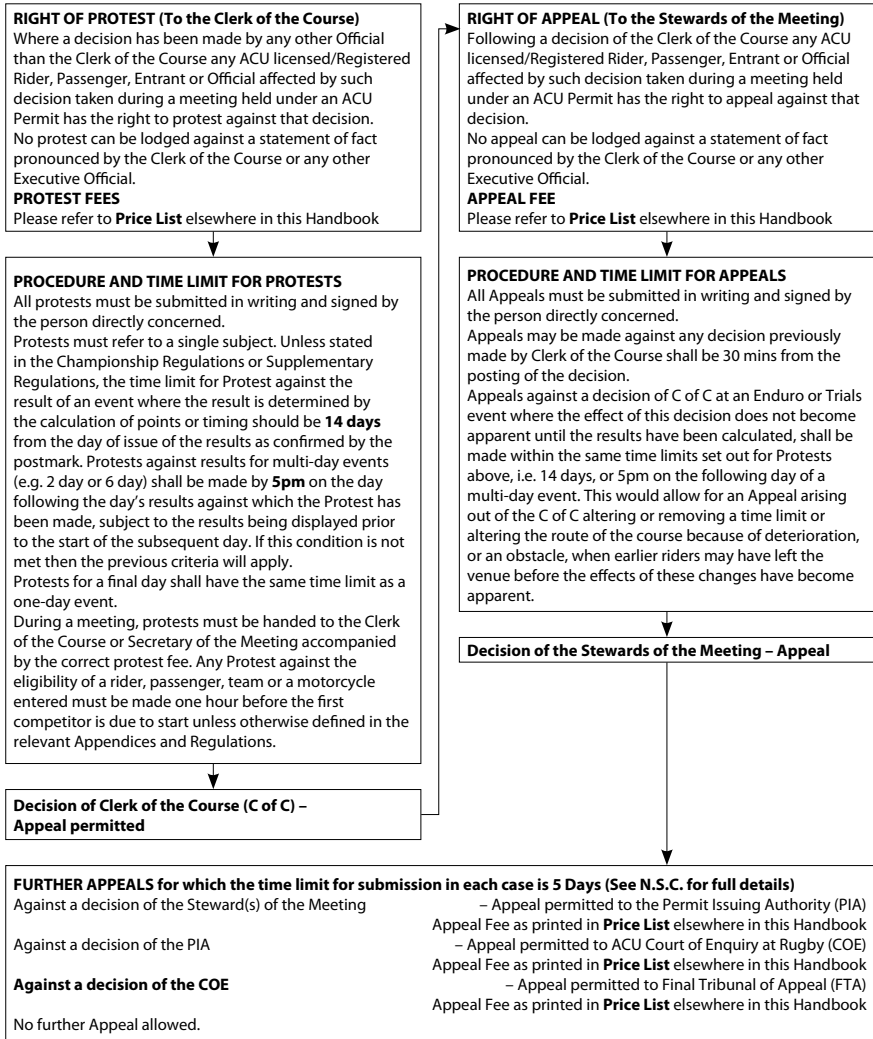
Local Centre Court (LCC)

Decision
Appeal permitted to the Permit Issuing Authority (PIA)
Appeal Fee £300 if PIA is ACU HQ Rugby
Appeal Fee £150 where PIA is a Local Centre

Steward(s) of the Meeting



APPENDIX B PROTEST AND APPEAL PROCEDURE – TRIALS AND ENDURO



APPENDIX C INSURANCE

(Refer to current ACU Handbook)

1. GENERAL

1. The ACU shall effect policies of Insurance as specified in this Appendix, through such Brokers or Insurers as they shall from time to time appoint.
2. The requirements of this Appendix shall be subject to the market availability of such insurance, both in detail and in general.
3. The requirements laid down in this Appendix are general requirements and shall not be deemed to form part of any contract between the ACU and its Centres, Affiliated Clubs, Approved Bodies, Officials or Licence Holders nor between the ACU and its appointed Brokers or Insurers in specific cases.
4. Nothing contained within this Appendix shall prohibit any Centre, Affiliated Club, Approved Body or Official from seeking direct contact with the Appointed Brokers or Insurers, for the purpose of obtaining advice, or clarification of policies provided that the Company Secretary is kept informed by copy correspondence.

2. LEGAL LIABILITY

1. The policy or policies shall provide indemnity in respect of accidental death of or bodily injury to or damage to the property of third parties.
2. The policies shall indemnify the ACU, Local Centres, Affiliated Clubs, Approved Bodies (as defined by NSC Art. 3.05), Officials of these Bodies and Officials and Sponsors of events. Details, including the limit of indemnity for any one accident to be included in the annual ACU Handbook.
3. The owner of land used for the holding in part or in all of any event subject to the Code shall be included under the policies as an insured person.
4. The policies shall be capable of extension to indemnify the promoter in respect of liabilities for accidental injury or damage to property, entered into under contract with any owner of land. Subject to such contract being submitted in advance to insurers for approval.
5. In respect of any event or part of an event held off the public highway, the policies shall in addition indemnify Competitors, Entrants or Sponsors of Competitors.
6. The policies shall include the liability of one Insured Person or Body, except that the liability of the one Rider, Passenger, Entrant or Sponsor, to another Rider, Passenger, Entrant or Sponsor in respect of their participation in the same event, shall not be covered.
7. In respect of any event or part of an event held in circumstances to which the provision of the Road Traffic Act, or similar legislation governing the use of motor vehicles apply it shall be the responsibility of the Competitor to effect insurance to comply with such legislation.
8. The policies shall include cover in respect of the setting up or dismantling of courses for a specific event, although taking place before or after the date of the event.
9. In addition to any exclusion specifically referred to in this Appendix or to any standard prevailing market exclusions for this Class of Insurance, the policies shall not apply to nor include:
 1. Events not subject to the Jurisdiction of this Code or the FIM Code.
 2. Use of any motor vehicle in circumstances requiring insurance under the Road Traffic Act or similar legislation.
 3. Any risk arising from the movement of aircraft.
 4. Subject to Appendix 'C' Art. 2.4, any liability for Property used in connection with an event or in the Promoters/Organisers custody or control.
10. The policies shall not be required to provide indemnity to any person or body who is in breach of this Code or any other requirements or regulation of the ACU.
11. All Riders or Passengers in an event shall sign a declaration of the prescribed type as shown in the current ACU Handbook or as varied in accordance with the Insurers' requirements.

APPENDIX D MOTORCYCLES AND ACCESSORIES

1. **The Standing Regulations for each discipline contain detailed rules for each type and class of competition and must be read in conjunction with this Appendix. Unless stated otherwise in Supplementary Regulations, all ACU Championships and Competitions are for and between vehicles of Category 1 propelled by an internal combustion engine.**

1. MOTORCYCLES

The term motorcycles covers all vehicles having in principle less than four wheels, propelled by an engine and designed essentially for the carriage of one or more persons of which one is the rider of the vehicle. The wheels must support the vehicle at all times and remain in contact with the ground other than when influenced by irregular terrain or force majeure.

2. QUAD MACHINES

(Category II Group G)

2. FREEDOM OF CONSTRUCTION

1. Provided a vehicle conforms to the requirements of this appendix and any discipline regulations and the Supplementary Regulations as well as to any specific Conditions that may be required for certain competitions, no restriction is placed on the make, construction or type of motorcycle used in competition. All vehicles must be entirely controlled by the rider. Any form of automatic control of the degree of differential movement between the wheels of a machine is prohibited. Where a passenger is carried stability may be improved by passenger movement.

3. CATEGORIES AND GROUPS OF MOTORCYCLES

1. Motorcycles are divided into categories:

CATEGORY I

Motorcycles propelled by the action of one wheel in contact with the ground.

CATEGORY II

Special vehicles propelled by the action of one or more wheels in contact with the ground but which are not covered by the group conditions for Category I.

CATEGORY III

Electric Vehicles.

Electric propulsion motorcycles are Category III. Vehicles with two or three wheels having traction on one or more wheels, driven by a motor (or motors) operated by means of electricity only. Wheels must normally be in contact with the ground.

CATEGORY IV

Special vehicles not propelled by wheels in contact with the ground. An enclosing shell or body may be fitted with fixed aerodynamic devices to aid directional stability or increase 'down force' only.

THESE CATEGORIES ARE DIVIDED INTO GROUPS:

CATEGORY I

Group A1 Two wheeled vehicles making only one track on the ground.

Group A2 Motorcycles with special characteristics commonly known as 'scooters' and defined in scooter regulations.

Group A3 Motorcycles with special characteristics commonly known as 'mopeds' and defined in moped regulations.

Group B1 Vehicles with three wheels making two tracks on the ground, consisting of a motorcycle making one track and a sidecar for a passenger making the other track.

Group B2 Vehicles comprising motorcycle and sidecar making three tracks on the ground,

two of the tracks being made by the front and rear motorcycle wheels whose centre lines in the direction of forward travel are displaced by a maximum of 75mm.

Group B3 Vehicles making three tracks on the ground forming a complete and integral unit and having accommodation for driver and passenger, commonly known as 'cycle cars' and defined in cyclecar standing regulations.

CATEGORY II

Group C Special two wheeled motorcycles.

Group D Special three wheeled motorcycles.

Group E Snowmobiles.

Group F Sprinters and Drag Racers.

Group G Quad Machines

CATEGORY III

Group J Electric vehicles

CATEGORY IV

Group Y1 Special two wheeled non wheel-driven motorcycles.

An additional wheel or wheels may be fitted to aid low speed stability but must be discarded or retracted during competition or record attempt. The overall width of the machine must not exceed 800mm.

Group Z2 Special three wheeled non wheel-driven vehicles.

4. CLASSES

- Groups are again separated into classes according to engine size (capacity) as detailed below. These classes must be observed for all types of competition except within Categories III and IV or except with special permission of the ACU. In exceptional circumstances and with the approval of the Stewards of the Meeting organisers may amalgamate classes should the size and type of entry appear to warrant such action.

CLASSES – CATEGORY I

Group A1	Minimum Engine Capacity over CC	Maximum Engine Capacity CC
Class		
50	—	50
80	50	80
100	80	100
125	100	125
175	125	175
250	175	250
350	250	350
500	350	500
750	500	750
1000	750	1000
1300	1000	1300

Group A3

—	—	50
---	---	----

Groups B1, B2 and B3, same as Groups A1 over 175cc.

CLASSES – CATEGORY II

Groups C & D

Regulations governing the classes in these groups to be issued as each case is presented.

Group E

Snowmobiles. As International Regulations (FIM)

Group F

Sprint and Drag Machines. Sprint and Drag Racing machines up to 1300cc as groups A1 and A2. Over 1300cc:

Class 2000 Over 1300cc Up to 2000cc

Class 3000 Over 2000cc Up to 3000cc

Class 3500 Over 2000cc Up to 3500cc

Group G

Quad Machines.

Four wheeled balloon tyred vehicles having a wheel at each diagonal extremity, consisting of a complete integral unit having accommodation for a driver only sitting astride, steered by a handlebar connected to the front wheels and driven by rear wheels only. Classes as Category I Group A1.

CLASSES – CATEGORY III

Group J – A1

Two wheel vehicles leaving only one track on the ground.

These motorcycles must be driven forward by electric motors equipped with energy storage systems of the electro-chemical type. Fuel cells are forbidden. Maximum weight 300kg.

Group J – B2

Three wheel vehicles leaving two or three tracks on the ground, forming an integral unit. These motorcycles must be driven forward by electric motors.

Class A: with electro-chemical energy storage systems. Fuel cells are forbidden.

Maximum weights (in running order, without driver):

A1) 250kg A2) 500kg A3) 750kg.

Class B: solar cycle-cars, powered by electric motors driven by energy from photo-voltaic panels, with the possibility to use storage batteries.

Maximum weight of the batteries (inclusive of their container): 60 kg. The batteries must be easy to take out for weighing.

Minimum panel surface: 4.5sq m.

All alternative propulsion systems are forbidden (human, internal or external combustion auxiliary engines, wind-engines).

Vehicle kinetic energy can be recuperated to perform battery re-charge.

5. MEASUREMENT OF ENGINES

- The size of an engine is the sum of the capacities of each cylinder of that engine. The capacity of each engine cylinder is calculated by the geometrical formula for the volume of a cylinder; the diameter is represented by the cylinder bore, and the height by the distance moved by the piston from its highest to lowest position within the cylinder (stroke).

$$\text{Capacity} = \frac{D^2 \times 3.1416 \times C}{4}$$

Where D = Bore and C = Stroke

- When measuring a tolerance of 1/100mm is permitted in the bore. If with this tolerance the capacity limit is exceeded for the class in question, a further measurement must be taken with the engine cold to 1/100mm limits.
Other types of engine to which this rule is not appropriate may be used in competition, engine size should be determined by reference to the Technical Panel.

6. CARBURETTORS OR OTHER AIR INPUT CONTROL INSTRUMENTS

- Except as in (b) below size is defined as that nominal diameter obtained from the geometrical formula:

$$\text{Size} = \frac{4A}{3.1416} \quad \text{To the nearest 1.00 mm.}$$

2. Where A is the minimum cross sectional area in square mm (mm²) of the induction tract within the carburettor body (mixture or control devices excepted). In Competitions where Carburettor(s) or Other Air Input Instruments are Homologated or a maximum choke size is specified.

The following induction tract conditions must exist where the instrument joins to manifold or engine and immediately adjacent thereto, the conditions may be satisfied by either the instrument itself, the manifold or engine where it attaches or an element of durable material inserted between.

1. All induced air must pass through this induction tract.
2. Induction tract at the interface to be circular in shape, maximum diameter no more than homologated size, or that maximum specified in any relevant regulations.
3. Induction tract to be of constant diameter over a minimum distance equal to 75% of homologated carburettor size or specified maximum choke size.

7. IDENTIFICATION NUMBERS

1. During a competition each motorcycle shall carry, prominently displayed, such numbers or marks as may be stipulated in the appropriate Standing or Supplementary Regulations.

8. EXAMINATION OF MACHINES

1. Every motorcycle shall be examined before the start of a competition or before the start of official practice to ensure compliance with the technical specifications.
2. The rider of any motorcycle which starts in a competition shall, if required, submit the motorcycle for final examination, and any motorcycle may be retained by the organisers for such a period as may reasonably be necessary for its examination and/or measurement to ensure compliance with technical rules.

9. MEASUREMENT OF MACHINES

1. The engine or any other controlled part may be verified on the instructions of the Clerk of the Course or to determine a protest.
2. The Clerk of the Course, at his own discretion, may decide if the measurement may take place other than at the event. In such a case, the part or the engine shall be sealed and measurement shall take place as soon as possible. Failure to submit to verification will entail exclusion. Any necessary dismantling shall be carried out by the entrant, or under his instruction. The entrant shall be responsible for any costs involved unless measurement of specific machines is required by the Supplementary Regulations in which case all fees and maximum allowable part costs (gaskets etc) shall be specified in those regulations and be the responsibility of the organiser unless an infringement of regulations is proved. A protest, the organisers of the meeting shall be responsible for the payment of the fees and costs of the official measurer.
 1. If measurement takes place to determine a protest, the party against whom the decision is made shall be responsible for payment of the fees and costs including those of the official measurer, and for the reinstatement of the machine. (see price list and individual Discipline Regulations)
 2. If measured in accordance with a directive issued by a Main Committee of the ACU, the fees and costs including those of the official measurer shall be borne by the ACU, otherwise than in relation to a Protest or Appeal.

10. ADVERTISING

1. Advertising may be displayed on a vehicle and on the rider's and or passenger's clothing and helmet in any competition, subject to the following conditions:
 1. No advertisement shall be displayed within 50mm of any number plate or number plate panel.

2. The name of the vehicle and/or sidecar or clothing manufacturer and/or the name of the rider will not be regarded as advertising.
3. Notwithstanding the above conditions, the organisers of any competition may, at their sole discretion, prohibit the display of any advertisement on a vehicle or on the clothing or helmet of any rider or passenger.
4. Where advertising, or any particular advertisement, is prohibited all drivers must be notified at least seven days before the date of the meeting.
5. The ACU may prohibit the display of any advertisement which it deems to be offensive, or not in the best interests of the sport.

11. BRAKES

1. All motorcycles used in disciplines requiring brakes must be equipped with efficient systems operating on and concentrically with the wheel. The number of braked wheels and other special requirements will be found in the discipline Standing Regulations.

12. DANGEROUS CONSTRUCTION

1. The Clerk of the Course may, or on the advice of the Chief Scrutineer/Machine Examiner, exclude any vehicle, or equipment, the construction or condition of which is deemed to be dangerous.

13. POSITIONS OF RIDER AND PASSENGER

1. During a race, riders should adopt a position with their feet on the footrests. If a rider adopts any other position and this is deemed to be dangerous by the Clerk of the Course he must be excluded. During a race or competition, the passenger, if any, must be effectively and continuously carried on the vehicle. The passenger however, may be dismounted when the vehicle is stationary, dismounted for starting, or may move from the place provided to maintain stability.

14. THROTTLE (ACCELERATOR) CONTROLS

1. For all types of vehicle, throttle controls must be self closing when not held by the hand or operated by the foot.

15. CHAIN GUARDS

1. If the primary transmission is exposed, it must be fitted with a guard as a safety measure. The guard must be conceived in such a manner that under no circumstances can the rider or passenger come into accidental contact with the transmission parts. It must be designed to protect against finger injury. On "Off-road" and "Sprint" machines, a guard must be fitted to the counter shaft (gearbox) sprocket. Individual disciplines may require additional protection for rider and passenger, any additional protection must comply with FIM rules and will appear in the discipline standing regulations.

16. EXHAUST SOUND CONTROL

1. The ACU will stipulate and may from time to time vary maximum sound levels permitted for machines used in the various sporting disciplines, also the conditions and method of sound testing to be used. Engine stroke in millimetres must be permanently and prominently displayed on the crankcase for use in sound control calculations.
2. The Clerk of the Course may, at his own discretion or on the advice of a Sound Control Inspector, exclude any vehicle deemed to be excessively noisy. Other penalties may be imposed by the relevant National Sporting Committee.

17. GENERAL

1. It is the responsibility of the rider to ensure a machine and equipment used in competition is mechanically and structurally in a safe condition and fit for the intended purpose. When due to the nature of the competition the machine is ridden on the Public Highway, it is also the responsibility of the rider to ensure compliance with all Road Traffic Act(s) requirements.

section five

RULES OF THE UNION

Rules of the Union

A THE ACU NATIONAL COUNCIL	501
B THE GROUPS OF THE AUTO-CYCLE UNION LIMITED	503
C SPORT COMMITTEES AND ADVISORY PANELS	505
D SUB-COMMITTEES	510
E BOARD OF DIRECTORS	511
F INTERESTS	512
G FINANCES	512
H SUBSCRIPTIONS	512
I CESSATION OF MEMBERSHIP	513
J ACU LTD MOTORCYCLING FORUM	513
K SPORT FORUMS	513
L AGE RESTRICTIONS	513
M DEFINITIONS	514
THE AUTO-CYCLE UNION (ACU) LIMITED	
MODEL LOCAL CENTRE BYE-LAWS	514

THE AUTO-CYCLE UNION (ACU) LIMITED RULES AND BYE-LAWS JANUARY 2012

Made by the Board of the ACU Ltd pursuant to Article 51 of the Articles of Association

A THE ACU NATIONAL COUNCIL

1. The National Council is the representative body of Centres of the ACU Ltd, SACU and the Non-Territorial Board. The Composition shall be; one voting delegate from each Centre and SACU and two voting delegates from the Non-Territorial Board. A non-voting understudy may be appointed for each of the above votes. The Board of Directors shall ordinarily attend the National Council but have no voting rights. Sport Committee Chairmen may exceptionally be represented by their Deputy Chairman.
2. The National Council will form part of the consultation process of the policy of the ACU Ltd.

3. THE AUTHORITY OF THE ACU NATIONAL COUNCIL

1. The Board of Directors shall consult the National Council prior to amending, rescinding or adding to the Rules. The National Council in conjunction with the Board of Directors shall be the authority as to the interpretation of these Rules. Any voting at National Council shall require a majority of two thirds of those present and voting except where otherwise provided for in these Rules and the Articles of Association of the Auto-Cycle Union Limited.
2. Rule changes shall come into effect immediately unless otherwise stated, with such changes occurring as necessary throughout the year.
3. Have the authority to make such standing orders for the conduct of its business and such regulations or bye-laws for the encouragement and control of the local Centres and the Non-Territorial Board as it may think fit.

4. MEMBERSHIP OF THE ACU NATIONAL COUNCIL

1. The Chairman of the Board of Directors shall also be the Chairman of the National Council and such individual shall also be known as 'Chairman of the ACU' or 'Chairman of the ACU Ltd' or 'Chairman of the Union'.
2. The Board of each local Centre/SACU shall appoint one delegate, the Non-Territorial Board shall appoint two delegates of the ACU National Council who unless otherwise made ineligible shall remain in office for a minimum period of one year and a maximum period of three years. The individuals shall be eligible for re-appointment subject to Rule L.
3. To be eligible for appointment as a delegate of the ACU National Council an individual shall be an individual subscribed member of an ACU Affiliated Club and remain so throughout office.
4. Any delegate of the ACU National Council who is not able to attend any meeting of the Council may be represented by a formally nominated alternate.
5. Unless attending in another capacity the Chairmen of the Advisory Panels may attend ACU National Council by invitation. They shall have no voting rights.
6. Any delegate of the ACU National Council may be suspended for a specified period, or be disqualified from being a delegate to the ACU National Council by resolution of the ACU National Council of which due notice has been given and for which a two-thirds majority is obtained. Any delegate so suspended or disqualified shall thereby forfeit his or her position as a delegate to the ACU National Council (and of any Committee or Sub-Committee of which he or she is a member and, where specifically agreed by the ACU National Council, all rights and privileges of affiliated membership for the period of the suspension, or in the case of disqualification, permanently. In the case of suspension or disqualification the appointing local Centre/SACU/NTB will be invited to make an interim appointment to hold office for the remainder of the term of the removed delegate.

5. NOTICE OF MEETINGS

1. Notice of motion for debate at any meeting of the ACU National Council may be proposed, on behalf of his or her appointing body, by any delegate to the ACU National Council, or by the Board of Directors, or any Sport Committee or Advisory Panel. Such notices of motion must be received by the General Secretary not later than 21 clear days prior to the date of the meeting.
2. Due and adequate notice (with Agenda) with all meetings of the ACU National Council or Committees stating the date, time and place shall be circulated by the General Secretary of ACU Ltd to all persons entitled to such notice. Generally seven clear days notice will be deemed to be adequate for meetings of Committees but fourteen clear days notice of meetings of the ACU National Council should be given subject to the Company's Articles of Association article 9.

6. ELECTION PROCEDURE – NATIONAL COUNCIL (OFF ROAD ACTIVITY)

1. Independent tellers shall be appointed by the National Council to supervise the running of the elections and to count the ballot papers.
2. Voting shall be by identified ballot paper, with ballot papers identifying the voting member by the Centre/SACU/NTB number that has appointed them. All votes will be recorded in the minutes of the meeting identifying the Centre SACU/NTB and the way in which their vote was cast.
3. Ballot papers shall only be deemed valid if they contain the required number of votes, be they in favour of candidate(s) or abstention(s).
4. Abstentions will form part of the calculation and count towards the total votes cast. For each ballot, the member will cast a total of votes equivalent to the number of vacancies to be filled in that round of the ballot. The member when voting, may express a vote in favour of a candidate or candidates or express a vote or votes of abstention. The number of votes cast per ballot shall equal the number of vacancies. Ballot papers not having the corresponding number of votes shall be deemed spoilt and not count towards the calculation of the vote for that round.
5. To be elected, a candidate needs an absolute majority of the votes cast (50% of the votes cast + 1, rounded up to the next highest whole number). If there are less vacancies to be filled than there are elected candidates, the posts shall be filled by those candidates having received the highest number of votes.
6. If all the vacancies have not been filled after the first round of voting, the following procedure shall apply:
 - If the number of remaining candidates is higher than the number of vacant position(s) after the first round, the number of candidates allowed to participate in the second round shall be selected according to the highest number of votes they have obtained and by applying the following formula: number of vacant position(s) plus one/or more in the case of a tie).
 - If the number of candidates is equal or less than the vacant positions after the first round, all candidates shall take part in the second round.
7. In both cases, only the candidate(s) who has/have obtained the absolute majority (50% of the votes cast + 1 vote, rounded up to the highest high number) shall be elected. If there are less vacancies to be filled than there are elected candidates, the posts shall be filled by those candidates having received the highest number of votes.
8. There shall be no third round of voting and the remaining position(s) shall remain vacant.
9. Any position which fell vacant before a period of office has ended or which remained vacant from a previous election shall be filled at the following meeting of the National Council. A position prematurely vacated shall be filled for the remainder of the period of office.
10. If posts with different periods of office are to be filled, the allocation of posts shall be in descending order of votes received.

7. ELECTION PROCEDURE – (ROAD RACE COMMITTEE)

1. The election procedure for candidates nominated for the Road Race Committee can be found at Section C.3.1.5 to C.3.1.9.

B THE GROUPS OF THE AUTO-CYCLE UNION LIMITED

The following rules govern the formation and running of the Local Centres.

1. There shall be Local Centres, comprising all Affiliated Local Motorcycle Clubs (i.e. Clubs that have signed an Affiliation Agreement) in the British Isles excluding Ireland, subject to any agreements in force from time to time.
2. The Board shall define the area of each territorial district, which shall be called a "Local Centre", and which shall be constituted as set out in this Rule.
3. Each Local Centre must adopt and abide by Local Centre Bye-Laws drafted in accordance with the model Local Centre Bye-Laws which are a supplement to these Rules and Bye-laws. The model Bye-Laws may be amended to suit Local Centre needs, but as amended may not contravene nor conflict with any part of these Rules and Bye-laws unless formally presented to, and agreed by, the Board.
4. Any Local Motorcycle Club, Association, Institution or other local body or section of such local body connected with the sporting, recreational or leisure activity of motorcycling shall, through the appropriate Local Centre of the ACU Ltd, be eligible for affiliation to the ACU Ltd under a standard form of agreement (as amended from time to time).
5. An application by a Local Motorcycle Club for affiliation to the ACU Ltd shall be submitted to the Board for approval, and shall indicate whether or not it is supported by the Local Centre within which the Headquarters of the Club is situated (together with reasons if not). If not so supported, the application shall be referred by the Board to the National Council at the next general meeting of the ACU Ltd, and the National Council shall determine the application by ordinary resolution.
6. A change of name of an Affiliated Motorcycle Club shall be subject to approval as in paragraph (5) above.
7. Clubs, the headquarters of which are within 10 miles of the boundary of a Local Centre, shall have the option of affiliating to either the Centre in which their headquarters are situated, or an adjacent Local Centre.
8. No Affiliated Local Motorcycle Club shall be entitled to transfer its affiliation from one Centre to another by reason of a change of position of its headquarters. Any Affiliated Local Motorcycle Club so situated and having exercised such option shall not withdraw its affiliation from a Local Centre without having made written application to the ACU Ltd for permission to transfer its affiliation and obtained consent thereto. All applications for the transfer of an Affiliated Local Motorcycle Club from one Local Centre to another shall be approved by ordinary resolution of the National Council in general meeting.
9. A Local Centre may form Groups, for the encouragement of local competitions. An Affiliated Local Motorcycle Club may belong to more than one Group, provided that the Groups concerned are not formed for the same purpose.
10. The objectives of Local Centres shall be to:
 1. Foster and encourage the sport of motorcycling within its district, and carry out such administration as may be required by ACU Ltd from time to time;
 2. Safeguard the rights and privileges of members of Affiliated Local Motorcycle Clubs within its district by watching the action of bodies whose policies may affect the interests of the sport, by representing the ACU Ltd at any local conference or meeting in which motorcyclists are interested, and by reporting to the ACU Ltd any matter not conducive to the welfare of the sport and pastime of motorcycling in general. Such representation shall be delivered by the Chairman and/or Secretary, or their nominee.
 3. Assist Affiliated Local Clubs in their district in the holding of competitions and other events, to promote inter-club and inter-centre competitions and to co-operate with the ACU Ltd in the administration of the National Sporting Code at any competition held within its district.

LOCAL CENTRE MODEL BYE-LAWS

11. Subject to article 10 of the Local Centre Model Bye-Laws a Local Centre shall function in accordance with the Local Centre Model Bye-Laws as annexed to these Rules and Bye-laws. A Local Centre may adopt such additional Local Bye-Laws as may be considered necessary. Such additional Bye-Laws shall be submitted to the Board, and the Board shall have the authority to veto any decision or proposed action of a Local Centre which is considered by the Board to be detrimental to the interests of the ACU Ltd or the sport and recreation of motorcycling, and nothing shall be done by a Local Centre which is contrary to the Rules and Bye-laws of the ACU Ltd at the time in force.

NON-TERRITORIAL CLUBS

12. A Non-Territorial Club is a Club, Association, Institution or other body or section of such body connected with sporting, recreational and leisure activities having objectives, activities and membership which does not restrict it to Local Centre membership, and having headquarters in the British Isles excluding Ireland and having a minimum membership of at least 100 persons, which, subject to approval of the Board, shall be eligible for direct affiliation to the ACU Ltd.
13. Each Non-Territorial Club shall be represented at the Non-Territorial Board as follows: one delegate for club membership in excess of one hundred members; two delegates for clubs with over five hundred members. Such delegates shall be appointed annually by their Club.

ACU REGIONS

14. ACU Regions may, as determined by the Board, comprise groupings of Local Centres, and parts of Local Centres and Non-Territorial Clubs reflecting the structure of the UK, English, Welsh and Scottish Sports Councils, or such successors carrying on the functions of those agencies from time to time.
15. Non-Territorial Clubs, which have activities within any ACU region, shall have the right to be consulted, to attend and speak at meetings within that region, without voting authority.
16. Non-Territorial Clubs shall together comprise the ACU Non-Territorial Regional Board.

RECOGNISED ASSOCIATIONS

17. A Recognised Association shall be any organisation or body (not being an Affiliated Club) which on application and payment of an annual subscription shall be recognised by the Board as having an interest in motorcycle sport and recreation, and which is considered not to be in conflict with the interests of the ACU Ltd.
18. Recognised Associations shall be entitled to receive annual and periodical publications, to attend without voting authority and speak at the Non-Territorial Board, and to attend seminars and other meetings by invitation for which a fee may be charged.

AFFILIATED MEMBER

19. An Affiliated Member is an individual who is a fully paid up member of one or more Clubs affiliated to the ACU. Such an individual shall be eligible to take part as an official of the ACU or as a Competitor in any competition organised under this National Sporting Code provided he holds a current Competition Licence/Trials Registration, and meets any other eligibility requirement specified in the National Sporting code, its Appendices or Event Regulations. Competition Licence holders in all disciplines will be deemed eligible also to ride in Trials. Without prejudice to any other rights, Affiliated Membership may be refused or may be withdrawn at any time by the Board with the right of appeal to the National Council. All Applications for Competition membership are subject to the approval of the Board of Directors of ACU.

ASSOCIATE MEMBERS

20. An individual who is not a member of an Affiliated Club and is not a competitor in any ACU Ltd competition for which a Competition Licence is required, nor acts as an Executive or administrative official at any ACU Ltd competition is eligible to participate in the ACU Ltd Member Benefits Scheme but shall not be eligible to play any part in the democratic structure of the ACU Ltd. Without prejudice to any other rights, Associate Membership may be refused, or may be withdrawn, at any time by the Board with a right of appeal to the National Council. See Rule I (2).

HONORARY MEMBERS OF THE UNION

21. Honorary Members of the Union shall be persons who have distinguished themselves in promoting the cause of motorcycling, or who have rendered conspicuous services to the ACU Ltd, and may include representatives of foreign motorcycling associations.
22. Nominations for Honorary Membership of the Union must be made in writing and may be made by Affiliated Local Motorcycle Clubs (endorsed by Local Centres) Local Centres/SACU and Non-Territorial Clubs not later than 31st August each year.
23. Honorary Membership of the Union shall be subject to confirmation by the National Council.
24. Subsequent to his appointment as an Honorary Member of the Union, notwithstanding that he may not be a Member, shall be entitled to attend all National Council meetings and speak when invited to do so by the Chairman. There shall be no right to vote.

HONORARY MEMBERS OF THE BOARD OF DIRECTORS, SPORT COMMITTEES & PANELS

25. On a proposal from the Board of Directors and in recognition of services rendered, the National Council may bestow the title of Honorary Member upon individuals who have occupied a position within the ACU. The title of Honorary Member must be connected with the position held in the ACU body in which their services were rendered.
26. Honorary Members appointed to the Board of Directors under this Article may attend the meetings of the Board of Directors and the National Council. They do not however have the right to vote and are not eligible to be appointed to any elected position.
27. Honorary members appointed to the Sport Committees and Panels under this Article may attend the meetings of the Sport Committee or Panel for which they have received the title of Honorary Member. They do not however have the right to vote and are not eligible to be appointed to any elected position within the body concerned.
28. Honorary Members may have their appointment terminated at any time on a proposal of the Board of Directors to the National Council which secures a vote of simple majority.

C SPORT COMMITTEES AND ADVISORY PANELS

1. There shall be the following Sport Committees and Advisory Panels:
1. Road Race Drag and Sprint
 2. Motocross
 3. Trials and Enduro
 4. Track Racing
 5. Technical Panel
 6. Sustainable Event Management Panel
 7. Medical Panel
 8. Panel of Adjudicators
 9. any other Sport Committee and/or Advisory Panels approved by the Board from time to time.

The quorum of each Sport Committee and Service Panel shall be 50% of its membership from time to time.

2. Members of any Committee are eligible to stand for re-election subject to the provisions

of Rule L. Except for the Committee Chairmen who becomes a Director by right, no other Director may be elected to a Sport Committee, nor any Committee Member become a Director.

3 ROAD RACE DRAG & SPRINT COMMITTEE

1. **Terms of Reference.** The Road Race Drag & Sprint Committee shall be responsible for the regulation and development of Road Race, Drag & Sprint and shall consist of:
 1. Three persons elected by the Road Race Committee meeting in open session.
 1. One person to be elected each year to serve for three years from the 1st January following the election.
 2. Nominations for membership of the Road Race Committee may be made by Affiliated Local Motorcycle Clubs (endorsed by Local Centres), Local Centres/SACU and Non-Territorial Clubs. These nominations must be in writing and must reach the General Secretary of ACU Ltd not later than 31st August in each Year, subject to the following provisions.
 1. Nominations submitted by Affiliated Local Motorcycle Clubs must be endorsed only by either the Centre Chairman or Centre Secretary.
 2. Nominations submitted by a Non-Territorial Club must be endorsed only by either the Non-Territorial Board Chairman or Secretary.
 3. Nominations are to be sent by Special Delivery and marked for the attention of the General Secretary, ACU House, Wood Street, Rugby, Warks CV21 2YX. Nominations must be sent in good time so as to reach the General Secretary by 31st August in each year. Any nominations received after this date will not be accepted.
 4. A nomination received by any other means such as email and/or fax will not be accepted.
 5. The General Secretary shall thereafter, at the earliest possible time, circulate a list of the names of such nominees to all Road Race Clubs having held a Permit and organized an event in the discipline covered by the Committee in either the previous or current year.
 6. The election will take place at an open meeting of the Committee to be held in November each year, supervised by either the General Secretary, a Director of the Company or a National Council delegate.
 7. To be successful a candidate must secure a simple majority of the votes cast.
 8. Voting will be limited to representatives of Clubs or Bodies having held a Permit and organised an event in the discipline covered by the Committee in either the previous or current year. Such representatives will each receive one vote (Proxy voting is permitted).
 9. In the event of a tie a second ballot will be conducted in which only the two candidates receiving the greatest number of votes will take part. There will be no third ballot. In the event that there is no successful candidate after the second ballot a further election will take place at the next meeting of the Committee.
 10. The number of votes cast for each candidate will be recorded in the minutes.
 3. two persons nominated and appointed by the Non-Territorial Board (NTB);
 4. one person nominated and appointed by the Road Race Group of the Motorcycle Industry Association (MCI);
 5. one person nominated and appointed by the Motorcycle Racing Control Board Ltd (MCRCB);
 6. one person nominated by the Association of Motor Racing Circuit Owners (AMRCO);
 7. one person nominated and appointed by the Motorcycle Promoters Committee (MRPC);
 8. each of the members appointed by AMRCO, MCI, MCRCB and MRPC shall be funded by his or her appointing body. Their appointments must be notified in writing to the General Secretary of the ACU Ltd. The General Secretary shall thereafter circulate the names of appointees to all members of the National Council and Secretaries of Local Centres, for

information. The appointed members will hold office until replaced by the appointing body by notice in writing at any time to the General Secretary of the ACU Ltd.

9. The five Committee members elected or appointed by the NTB under this rule (3.1.1.1 and 3.1.2.1) shall have the right to appoint a Chairman from among such five members. A Deputy Chairman shall then be appointed by the Committee as a whole from among the remaining eight members of the Committee. Otherwise the general rules governing appointments of the Sport Chairmen at rules (7) to (9) (inclusive) shall govern their appointments. The Deputy Chairman may only act as Chairman on a temporary basis.

10. The term of office for elected members shall be a maximum of three years. A candidate may stand for re-election and subject to securing a simple majority may stand unopposed.

4 MOTOCROSS COMMITTEE

1. **Terms of Reference.** The Motocross Committee shall be responsible for the regulation and development of Motocross and shall consist of:
 1. Six persons elected by the National Council.
 2. Two persons appointed by the Directors following nomination by the Motocross Committee to represent Youth sport.
2. The election of persons to fill the annual vacancies on the Motocross Committee shall take place at a general meeting of the National Council in any Year, and appointees shall assume office on 1st January of the following Year. Retiring members shall do so on the preceding 31st December. Should vacancies become available, elections can take place at any National Council meeting.
3. Nominations for membership of the Motocross Committee may be made by Affiliated Local Motorcycle Clubs (endorsed by Local Centres), Local Centres/SACU and Non-Territorial Clubs. These nominations must be in writing and must reach the General Secretary of ACU Ltd not later than 31st August in each Year, subject to the following provisions:
 1. Nominations submitted by Affiliated Local Motorcycle Clubs must be endorsed only by either the Centre Chairman or Centre Secretary.
 2. Nominations submitted by a Non-Territorial Club must be endorsed only by either the Non-Territorial Board Chairman or Secretary.
 3. Nominations are to be sent by Special Delivery and marked for the attention of the General Secretary, ACU House, Wood Street, Rugby, Warks, CV21 2YX. Nominations must be sent in good time so as to reach the General Secretary by 31st August in each year. Any nominations received after this date will not be accepted.
 4. A nomination received by any other means such as email and/or fax will not be accepted.
4. The General Secretary shall thereafter, at the earliest possible time, circulate a list of the names of such nominees to all Members of the National Council and to Centre Secretaries/SACU.
5. The six Committee members elected by the National Council shall have the right to appoint a Chairman from among such six elected members. A Deputy Chairman shall then be elected by the Committee from among the remaining five members of the Committee. Otherwise the general rules governing appointments of the Sport Chairmen at Rules C (7) to (9) (inclusive) shall govern their appointments. The Deputy Chairman may only act as Chairman on a temporary basis.
6. The term of office for the six elected members shall be for a maximum period of three years commencing on the 1st January in any year following appointment. A candidate may stand for re-election by submitting his nomination in accordance with Rule C.4.3 and subject to securing the requisite number of votes may stand unopposed. Retiring members shall be eligible for re-election subject to Rule L.
7. The two members appointed by the Directors, shall be for a period of one year only and shall have voting rights.

8. The Motocross Committee may also invite person(s) with specialist knowledge to attend any meeting of the Committee, but such person(s) shall not have voting rights.
9. A member of the Motocross Committee may not serve on any other discipline Committee or on the Board of Directors subject to the provisions of Rule E.1.
10. A sub-committee of four members will be responsible for the management and organisation of the British Youth Motocross Championships, youth training and development and to incorporate the management and organisation of youth international events and representative teams. The sub committee may also invite person(s) with specialist knowledge to attend any meeting of the Committee, but such person(s) shall not have voting rights.
 1. Two members of the sub-committee will be the members nominated to the Motocross Committee, and the two other persons will be appointed by the Motocross Committee. The two members appointed by the Motocross Committee shall be for a period of one year only and shall have voting rights.
 2. The Chairman of the sub-committee will be a member of the Motocross Committee. The Vice Chairman of the sub-committee will be selected from the remaining three appointed sub-committee members.

5 TRIALS AND ENDURO COMMITTEE

1. **Terms of Reference.** The Trials and Enduro Committee shall be responsible for the regulation and development of the Trials and Enduro disciplines and shall consist of eight persons elected by the National Council.
2. The appointment of persons to fill the annual vacancies on the Trials & Enduro Committee shall take place at a general meeting of the National Council in any Year, and appointees shall assume office on 1st January of the following Year. Retiring members shall do so on the preceding 31st December. Should vacancies become available, elections can take place at any National Council meeting.
3. Nominations for membership of the Trials & Enduro Committees may be made by Affiliated Local Motorcycle Clubs (endorsed by Local Centres), Local Centres/SACU and Non-Territorial Clubs. These nominations must be in writing and must reach the General Secretary of ACU Ltd not later than 31st August in each Year, subject to the following provisions:
 1. Nominations submitted by Affiliated Local Motorcycle Clubs must be endorsed only by either the Centre Chairman or Centre Secretary.
 2. Nominations submitted by a Non-Territorial Club must be endorsed only by either the Non-Territorial Board Chairman or Secretary.
 3. Nominations are to be sent by Special Delivery and marked for the attention of the General Secretary, ACU House, Wood Street, Rugby, Warks, CV21 2YX. Nominations must be sent in good time so as to reach the General Secretary by 31st August in each year. Any nominations received after this date will not be accepted.
 4. A nomination received by any other means such as email and/or fax will not be accepted.
4. The General Secretary shall thereafter, at the earliest possible time, circulate a list of the names of such nominees to all Members of the National Council and to Centre Secretaries/SACU.
5. The Committee members shall have the right to appoint a Chairman and Deputy Chairman from among such eight elected members. Otherwise the general rules governing appointments of the Sport Committee Chairmen at Rules C (7) to (9) (inclusive) shall govern their appointments. The Deputy Chairman may only act as Chairman on a temporary basis.
6. The term of office for each of the eight elected Members shall be for a maximum period of three years commencing from the 1st January in any year following appointment. A candidate may stand for re-election by submitting his nomination in accordance with Rule C.5.3 and subject to securing the requisite number of votes may stand unopposed. Retiring members shall be eligible for re-election subject to Rule L.

7. The Trials & Enduro Committee may also invite person(s) with specialist knowledge to attend any meeting of the Committee, but such person(s) shall not have voting rights.
8. A member of the Trials & Enduro Committee may not serve on any other discipline Committee or on the Board of Directors subject to the provisions of Rule E.1.

6 TRACK RACING COMMITTEE

1. **Terms of Reference.** The Track Racing Committee shall be responsible for the regulation and development of Track Racing and shall consist of six persons elected by the National Council.
2. The appointment of persons to fill the annual vacancies on the Track Racing Committee shall take place at a general meeting of the National Council in any Year, and appointees shall assume office on 1st January of the following Year. Retiring members shall do so on the preceding 31st December. Should vacancies become available, elections can take place at any National Council meeting.
3. Nominations for membership of the Track Racing Committee may be made by Affiliated Local Motorcycle Clubs (endorsed by Local Centres), Local Centres/SACU and Non-Territorial Clubs. These nominations must be in writing and must reach the General Secretary of ACU Ltd not later than 31st August in each Year, subject to the following provisions:
 1. Nominations submitted by Affiliated Local Motorcycle Clubs must be endorsed only by either the Centre Chairman or Centre Secretary.
 2. Nominations submitted by a Non-Territorial Club must be endorsed only by either the Non-Territorial Board Chairman or Club Secretary.
 3. Nominations are to be sent by Special Delivery and marked for the attention of the General Secretary, ACU House, Wood Street, Rugby, Warks CV21 2YX. Nominations must be sent in good time so as to reach the General Secretary by 31st August in each year. Any nominations received after this date will not be accepted.
 4. A nomination received by any other means such as email and/or fax will not be accepted.
4. The General Secretary shall thereafter, at the earliest possible time, circulate a list of the names of such nominees to all Members of the National Council and to Centre Secretaries/SACU.
5. The Committee members shall have the right to appoint a Chairman and Deputy Chairman from amongst such six elected members. Otherwise the general rules governing appointments of the Sport Committee Chairmen at Rules C (7) to (9) (inclusive) shall govern their appointments. The Deputy Chairman may only act as Chairman on a temporary basis.
6. The term of office for each of the six elected Members shall be for a maximum period of three years commencing from the 1st January in any year following appointment. A candidate may stand for re-election by submitting his nomination in accordance with Rule C.6.3 and subject to securing the requisite number of votes may stand unopposed. Retiring members shall be eligible for re-election subject to Rule L.
7. The Track Racing Committee may also invite person(s) with specialist knowledge to attend any meeting of the Committee, but such person(s) shall not have voting rights.
8. A member of the Track Racing Committee may not serve on any other discipline Committee or on the Board of Directors subject to the provisions of Rule E.1.

CHAIRMEN AND DEPUTY CHAIRMEN OF SPORT COMMITTEES

7. Subject to the provisions concerning Road Race, Drag and Sprint Committee, each Sport Committee shall appoint from amongst its members a Chairman and a Deputy Chairman.
8. The appointment of Sport Committee Chairman and Deputy Chairman shall be presided over by a Director who shall have the casting vote. The term of office shall be for a maximum of three years dependant upon the expired period of his mandate from the National Council to serve as a Committee Member. A retiring Chairman or Deputy Chairman may stand for re-election.

9. A proposal to remove a Chairman of a Sport Committee from office as chairman shall be tabled only if approved by two-thirds or more of all the Committee, and shall only be carried with a majority of two thirds of all those present and voting.

FREQUENCY OF SPORT COMMITTEE MEETINGS

10. Each Sport Committee shall meet at least four times a year and whenever summoned by the Chairman, or on requisition being made by one third or more of its members.

ADVISORY PANELS

11. The Advisory Panels shall be responsible for providing specialist advice and support to the ACU Ltd and the Sport Committees but shall not hold executive powers.
12. The Technical Panel shall consist of a Chairman appointed by the Board of Directors for confirmation by the National Council. Members of the Panel will be recommended by the Sport Committees for appointment by the Board of Directors. Selection will be based upon individuals possessing the appropriate skills, competencies and experience in their field Other persons with relevant specialist knowledge pertinent to that agenda shall be invited by the Panel Chairman from time to time. From time to time the Chairman shall assemble a team of no more than four for the purposes of ACU helmet approval.
13. The Training & Development and Sustainable Event Management Panels shall consist of:
 1. one member appointed by each Sport Committee;
 2. other specialist members who may be appointed by the National Council; and
 3. other persons with relevant specialist knowledge pertinent to that agenda may be invited by the Panel Chairman from time to time.
14. The Medical Advisory Panel shall consist of a Chairman appointed by the National Council (who need not be a medical doctor) and a number of qualified doctors, or suitably qualified medical personnel, appointed by the National Council in consultation with the Chairman of the Medical Panel and the Chairmen of the Sport Committees.
15. The Panel of Adjudicators shall function in accordance with the ACU Ltd's National Sporting Code.

CHAIRMAN OF ADVISORY PANELS

16. The Board of Directors shall appoint a Chairman for each Advisory Panel for confirmation by the National Council. The term of office shall be for a maximum period of three years commencing on the 1st January in any year following appointment.

FREQUENCY OF ADVISORY PANEL MEETINGS

17. Each Advisory Panel shall meet whenever summoned by the Advisory Panel Chairman, or Chief Executive (or his equivalent) or on requisition being made by one third or more of its members.

ABSENTEES

18. Any Member who is absent from three programmed meetings of the Board of Directors, Sport Committee meetings, Sub-Committee or Advisory Panel meetings in any one year of which he is an appointed member without reasonable cause accepted by the Board, may forfeit his Membership of the Board of Directors, Sport Committee, Sub-Committee or Advisory Panel as the case may be.

D SUB-COMMITTEES

1. Each Sport Committee may appoint one or more sub-Committees and may with the prior approval of the Board delegate to them such powers as it may think fit. The members of such sub-Committees may include persons who are not Members of the ACU Ltd but who possess relevant specific skills, knowledge and expertise.

2. Sub-committees shall report to their appointing Sport Committee, and their decisions shall be subject to confirmation by that Committee. The appointing Sport Committee shall also appoint a sub-committee Chairman. The Chairman of the appointing Committee shall be eligible to attend any meeting of the sub-Committee without voting rights.

E BOARD OF DIRECTORS

1. The composition of the Board will be; the Sport Committee Chairmen who become Directors as a result of their election to be Committee Chairmen, their Directorships lasting for the duration of their mandate as Committee Chairmen. Six Directors elected from across the membership. A Financial Director appointed by the Board. The Chairman and Deputy Chairman of the Board will be elected from the members of the Board. Each Director will have an equal vote. The Chairman will be entitled to vote and will also hold the 'casting vote' where necessary. The appointments of Chairman and Deputy Chairman may be any one of the Directors except the Financial Director.
 1. The appointment of persons to fill the annual vacancies on the Board of Directors shall take place at a general meeting of the National Council in any Year, and appointees shall assume office on 1st January of the following year. Retiring members shall do so on the preceding 31st December. Should vacancies become available elections can take place at any National Council meeting.
 2. Nominations for membership of the Board of Directors may be made by Affiliated Local Motorcycle Clubs (endorsed by Local Centres), Local Centres/SACU and Non-Territorial Clubs. These nominations must be in writing and must reach the General Secretary of ACU Ltd not later than 31st August in each year, subject to the following provisions:
 1. Nominations submitted by Affiliated Local Motorcycle Clubs must be endorsed only by either the Centre Chairman or Centre Secretary.
 2. Nominations submitted by a Non-Territorial Club must be endorsed only by either the Non-Territorial Board Chairman or Club Secretary.
 3. Nominations are to be sent by Special Delivery and marked for the attention of the General Secretary, ACU House, Wood Street, Rugby, Warks CV21 2YX. Nominations must be sent in good time so as to reach the General Secretary by 31st August in each year. Any nominations received after this date will not be accepted.
 4. A nomination received by any other means such as email and/or fax will not be accepted.
 3. The General Secretary shall thereafter, at the earliest possible time, circulate a list of the names of such nominees to all Members of the National Council and to Centre Secretaries/ SACU.
 4. The Directors of the Board shall have the right to appoint a Chairman and Deputy Chairman from among such ten elected/appointed members. Otherwise the general rules governing appointments of the Sport Committee Chairmen at Rules C (7) to (9) (inclusive) shall govern their appointments. The Deputy Chairman may only act as Chairman on a temporary basis.
 5. The term of office for each of the ten elected/appointed Members shall be for a maximum period of three years commencing from the 1st January in any year following appointment. A candidate may stand for re-election by submitting his nomination in accordance with Rule E (2) and subject to securing the requisite number of votes may stand unopposed. Retiring members shall be eligible for re-election subject to Rule L.
2. In addition to the customary roles and responsibilities of a Company's Board of Directors, the Board shall be responsible for the formulation of strategy relating to motorcycle sporting, recreational and leisure activity and the subsequent production of policy and procedure.
3. The Board shall co-ordinate and monitor the implementation of those policies and procedures by the relevant Committee/s and/or Panel/s. It will achieve this by:
 1. Controlling the national activity of motorcycling in accordance with the Rules of the ACU Ltd and the National Sporting Code.

2. Exercising authority to formulate strategy and policy for the development and management of sporting disciplines.
3. Producing the vision, aims and mission statements of the ACU Ltd.
4. Preparing annual and longer term budget submissions for the governance and development of motorcycle sporting, recreational and leisure activity.
5. Setting up and managing working groups and sub-committees as appropriate from time to time.
6. Prioritising the sporting, recreational and leisure activity funded centrally by the ACU Ltd.
4. The Board shall receive the recommendations of the various Sport Committees and Panels regarding representatives/delegates of the ACU Ltd to the European Motorcycle Union (UEM) and the International Federation of Motorcycling (FIM). The Board shall then submit such nominations, if supported, to the National Council for ratification.
5. In accordance with Rule I (2) the Board may suspend any UEM or FIM delegate with the right of Appeal to the National Council, or if ratified by National Council, to the Panel of Adjudicators.
6. The Board shall receive the recommendations of the various Sport Committees and Panels regarding changes to the National Sporting Code, Rules of the ACU Ltd and all other parts of the annual Handbook. If supported the Board shall then consult the National Council giving reasonable notice for such consultation prior to the Rules being adopted.

F INTERESTS

The provisions of Articles 46 and 47 of the Articles of Association of the ACU Ltd shall be deemed to apply, mutatis mutandis, to members of any Committee, sub-Committee, and advisory panel as they apply to Directors of ACU Ltd.

G FINANCES

1. The ACU Ltd's financial year shall commence on 1st January.
2. Each Group shall be responsible for its own finances and shall be accountable to the Board.
3. The ACU Ltd shall maintain a bank account with a United Kingdom clearing bank approved by the Board.
4. Cheques drawn on the ACU Ltd's accounts may be signed by any one of the Financial Director, the Financial Controller, the Chief Executive (or his nominated deputy) or the Chairman, save that cheques in excess of £5,000 must be signed by any two of them.
5. The Financial Director shall obtain prior approval of the Board before authorising anything other than minor changes in the Society's investments.
6. The Financial Director shall present the accounts together with supporting documentation to the ACU Ltd's Auditor.
7. The Financial Director shall present a written summary of the ACU Ltd's financial situation to each Board meeting.

H SUBSCRIPTIONS

1. Affiliated Local Motorcycle Clubs, Non-Territorial Clubs, Associate Members, and Recognised Associations ("individually known as "Group" and collectively as "Groups") shall each pay to the ACU Ltd an annual subscription of such sum as shall be recommended by the Board of Directors and confirmed by a simple majority of Members present and entitled to vote at a General Meeting of the ACU Ltd. This will result in abstentions being included in the calculation.
2. The annual subscription shall be payable on affiliation to the ACU Ltd on signature of the Affiliation Agreement and thereafter on the first day of January in each year ("the Renewal Date").
3. Any Group that has not paid its subscription fee by 1st March following the Renewal Date

shall be notified in writing that its Membership will be suspended immediately unless payment is received by 31st March in the same Year. Should the subscription fee remain unpaid, such Group shall be suspended until the subscription is paid.

4. Liability for payment of the subscription shall remain enforceable as a debt against the Group until such time as the ACU Ltd, in its sole discretion, gives notice of cancellation of membership to the Group.
5. The annual subscription fee shall be set at a rate which will produce an income appropriate for maintaining the activities of the ACU Ltd as a whole and ensuring its financial independence and shall be calculated according to the total number of enrolled Groups at the date of application. Where the annual subscription fee is to be paid on 1st January, total membership figures from the previous year shall be used to calculate the fee.
6. The subscription fee to be paid by each Group shall comprise the following:
 - a. an amount to support the ACU Ltd and its activities through the Committees; and
 - b. an amount or amounts to support the Group or Groups to which the particular member belongs.
7. The Financial Director shall collect subscriptions and distribute the amounts payable in respect of each Group to the relevant Group Treasurers, and shall retain the remainder in the ACU Ltd account.

I CESSATION OF MEMBERSHIP

1. An Individual Subscribed Member, Associate Member or Honorary Member may resign from the ACU Ltd by notice in writing to the ACU Ltd.
2. The Board may suspend any such member whose conduct in its opinion is contrary to the interests of the ACU Ltd, and who fails to comply with the Rules and Bye-Laws. The Board may recommend to the National Council that the suspended member be expelled from the ACU Ltd. No member shall be expelled by the National Council unless and until the individual has been given notice in writing of the resolution to expel the individual and been given an opportunity to make representations orally or in writing to the National Council. No member is to remain under suspension for any period greater than two meetings of the National Council.

J ACU LTD MOTORCYCLING FORUM

If appropriate, at least once every two years the Members shall convene an open forum, which shall be advisory only, which all Affiliated Clubs shall be eligible to be represented by one delegate, in order to discuss matters of common interest across all activities.

K SPORT FORUMS

If appropriate, at least once a year each Sport Committee shall convene an open forum, which shall be advisory only, which all Affiliated Clubs shall be eligible to be represented by one delegate, in order to discuss matters of particular interest to each sport.

L AGE RESTRICTIONS

No person shall be elected as a member of the Board of Directors, National Council, Sport Committees and Panels, after reaching the age of 70. Any person who reaches the age of 70 whilst serving as a member of any of the aforementioned bodies may remain in office until the end of the term of office during which the age of 70 is reached. The maximum period of election or appointment to any office within ACU Ltd shall be three years, with re-election possible subject to the provision of this Rule. The only exception being the Panel of Adjudicators.

M DEFINITIONS

1. Unless otherwise specified, words and expressions defined in the Memorandum and Articles of Association of the ACU Ltd shall have the same meaning in these rules and Bye-Laws.
2. "Affiliation Agreement" means a standard form agreement of affiliation to the ACU Ltd (as approved by the Board from time to time); and "Affiliation" and "Affiliated" shall be construed accordingly as referring to a Local Centre Club or the person who has entered into an Affiliation Agreement with the ACU Ltd.

THE AUTO-CYCLE UNION (ACU) LIMITED MODEL LOCAL CENTRE BYE-LAWS

To be read in association with the Rules and Bye-Laws of the ACU Ltd

1. ADMINISTRATION

- 1.1 An Annual Meeting of the Centre shall be held on a date to be fixed by the Centre Board, once in each calendar year. At least 21 days prior to the date of this Annual Meeting the Secretary of the Centre shall send to each Affiliated Local Motorcycle Club in the Centre a preliminary notice of the date of the meeting and a request for the nomination of the following officers for the ensuing year:
 - President
 - Chairman
 - Vice-Chairmen (not more than two)
 - Honorary Treasurer
 - Other officers as necessary
- 1.2 Nominations shall be sent to the Centre Secretary so as to be received not later than 14 days prior to the date of the Annual Meeting. Such nominations shall be set out in the notice convening the Annual Meeting, a copy of which shall be sent to each Affiliated Local Motorcycle Club in the Centre not later than 7 days prior to the date of the meeting.
- 1.3 At the Annual Meeting of the Centre the report of the Board and a report of the Treasurer for the past year shall be presented and the officers for the ensuing year shall be elected from amongst the nominees by a ballot in which each Affiliated Local Motorcycle Club represented at the meeting shall have two votes and an additional vote for every 100 members or part of 100 members above the first 100 members. No nomination shall be placed before the meeting unless written notification of acceptance has been received from the nominee. To arrive at the voting power of the Club the membership of that Club as reported on the previous 31st December shall be taken.
- 1.4 The officers elected hold office for one year and, together with the appointee representing the Local Centre at general meetings of the ACU Ltd, shall form the Emergency Committee of the Centre Board.

2. BOARD

- 2.1 The affairs of the Centre shall be managed by a Board composed of the Officers of the Centre and representatives from each Affiliated Local Motorcycle Club and Group in the Centre.
- 2.2 The representatives of the Affiliated Local Motorcycle Clubs shall be elected by their Clubs in the proportion of two members for a Club membership not exceeding 100 and one additional representative for 100 members or part of 100 members above the first 100 members.
- 2.3 The representatives of the Groups shall be appointed by the Affiliated Local Motorcycle Clubs forming a Group and shall not exceed in number one representative for each Group of not more than ten Affiliated Local Motorcycle Clubs and a second representative for any larger Group.
- 2.4 The quorum for a meeting of the Board shall be five, each member shall be entitled to one vote, and in case of an equality of votes, the Chairman shall have a casting vote.

3. CHANGE OF REPRESENTATION

An Affiliated Local Motorcycle Club or Group shall have the power to change its representatives on the Board at any time, so long as the number of such representatives does not exceed that to which it is entitled under Article 2.2 or 2.3 of these Bye-Laws such change to take effect on and from the date of receipt of notice by the Secretary of the Centre.

4. SUB-COMMITTEES OF THE BOARD

- 4.1 The Board may appoint Sub-Committees, and may delegate to them such powers as it may think fit to prescribe in the terms of reference. Such Sub-Committees may comprise persons who are not members of the Board or of the Local Centre.
- 4.2 The Sub-Committees shall report to the Board, and their recommendations shall be subject to confirmation by the Board, except in cases where they are given full power to act.
- 4.3 Sub-Committees shall appoint their own Chairmen and Vice-Chairmen. The Chairman and Vice-Chairman of the Board shall be members of every Sub-Committee, except in special cases where the Board may otherwise order.
- 4.4 Additional members may be appointed, or vacancies may be filled on Sub-Committees by the Board.

5. EMERGENCY COMMITTEE

The Emergency Committee as constituted according to 1.4 of these Bye-Laws shall have power to deal with matters of urgency which may arise from time to time, subject always to its proceedings being confirmed at a subsequent meeting of the Board.

6. FINANCE

Subscription fees from the individual Members of Affiliated Local Motorcycle Clubs within a Local Centre (less any amount retained by the ACU headquarters under Rule (B) (20) of the Rules and Bye-laws of the ACU Ltd) and any other income received shall be the property of the Centre, and shall be expended from time to time as the Board deems fit in the furtherance of the objects of the Centre.

7. SECRETARY

- 7.1 At the first meeting of the Board in each year a Secretary shall be appointed, either in an honorary capacity or at such remuneration as may be fixed by the Board. The Secretary shall remain in office until the first meeting of the Board in the succeeding year unless previously released from office by the Board. The duties of the Secretary shall include:
 - a. responsibility for the recording of proceedings of all business transacted at meeting of the Board and Sub-Committees of the Board;
 - b. responsibility for the production of minutes of all meetings and for submitting them for confirmation at the next following meeting of the Board or Sub-Committee as the case may be;
 - c. responsibility for all correspondence in connection with the work of the Centre.
- 7.2 The Treasurer, on the instructions of the Board, shall refund the Secretary's out-of-pocket expenses incurred in attending meetings of the Board or Sub-Committees or Competitions promoted by the Centre, and other out-of-pocket expenses

8. MEETINGS

- 8.1 Meetings of the Board shall be held on such dates at such times and at such venues as the Board decides from time to time.
- 8.2 The Chief Executive of the ACU Ltd, or his deputy, shall have the right to be present at all meetings of the Board or Sub-Committees of the Board, with all privileges of membership other than the right to vote.

9. WINDING-UP

In the event of the Centre becoming wound-up, disbanded or ceasing to exist, all monies and properties of the Centre shall be deemed to be the property of the Affiliated Local Motorcycle Clubs which are members of the Centre at the date on which the Centre is wound up or dissolved or ceases to exist, and shall be used in any manner thought fit by such clubs.

10. LIMITED COMPANIES

Where a Centre is a limited company and where the Memorandum and Articles of Association are inconsistent with these Bye-laws, the Memorandum and Articles shall prevail, reasonably and properly incurred by the Secretary.

section six

ACU DIRECTORY 2012

AWNINGS



The Awning Company specialises in awning design for a wide range of applications. Their main focus is for awnings which are designed for exhibition use, motorsports and special events. They have the capabilities to produce vehicle awnings for almost any application, and as a result are in great demand. The company employs a highly skilled and knowledgeable team who have the ability to produce literally any type of specialised awning.

The Awning Company (UK) Ltd
www.theawningcompany.co.uk
 Tel: 01204 544900
 Fax: 01204 544901

BIKE RACKS /TRAILERS



Manufacturer of quality trailers and bike racks, single bike, double bike, treble bike and quad bike trailers, for off road and road bikes from £239.00 inc VAT.

Bike racks for cars, vans and 4x4 vehicles to bikes 50cc to 600cc. Tow-bar kits also available, delivery can be arranged.

*Dave Cooper Bike Racks, Unit 7, Pettings Court Farm, Hodsoll St, Wrotham, Kent TN15 7LH
 Tel: 01732 820082*

www.davecooper.co.uk

FUELS

ANGLO AMERICAN OIL COMPANY LTD



Sunoco is the largest race fuel manufacturer in the world and renowned for its quality, consistency and performance. Sunoco products range from 100 to 119 octane featuring unleaded, leaded, and high ethanol content fuels. Although Sunoco is traditionally renowned for fuelling four wheeled race cars, the Sunoco brand is quickly growing within the two wheeled market and is fuelling numerous Superbike Championships around the world. We deliver to your door throughout the UK. We also stock Joe Gibbs Driven race oils, R racing brake fluids and chain oils.

Anglo American Oil Company Ltd, Sandford, Wareham, Dorset, BH20 7QE
 tel: +44 1929 551557 fax: +44 1929 551567
info@aaoil.co.uk
www.aaoil.co.uk/racing

RACE TRACKS



"The Home of European Drag Racing". Host to the FIA/UEM European Drag Racing Championships plus ACU/MSA National Championships.

Over 50 events including specialist car and bike events inc "RWYB" Public Track Days – try your bike on the track with free performance print-outs. Ideal ride-out. Corporate hospitality. Track hire – for testing, club meets.

- Central location nr. Northampton – Junction 14/15 M1.
- www.santapod.com for full 2012 calendar of events.

Airfield Rd, Podington, nr. Wellingborough, Northants, NN29 7XA.
 Tel: (01234) 782828 Fax: (01234) 782818
info@santapod.com www.santapod.com

SLIPPER CLUTCHES

SIGMA

P E R F O R M A N C E

sigmaperformance.com

Sigma Performance sells slipper clutches for over 50 different types of motorcycle. Sigma slipper clutches are designed to improve performance on the track with independent testing showing significant improvements in lap times. These clutches automatically disengage on overrun or after down shifts preventing over-revving, improving rear tyre grip into corners and allowing the rider more 'mental space' under racing conditions. Over the last few years Sigma Clutches have had a very respectable competition history. In 2011 we won the BSB Evo championship and had many wins in the BSB championships with Honda, Kawasaki Yamaha and BMW machines.

For more information please visit
www.sigmaperformance.com,
 email sales@sigmaperformance.com
 or phone 01892 538802 / 0788 1820748

TRAVEL

Sport Travel Solutions

Sport Travel Solutions has an extensive client base offering a Personal and Professional Service with customers returning time after time.

We offer Competitive Rates with all Ferry Operators including P&O Ferries for departures and arrivals throughout the UK and Europe.

We look forward to helping you organise your next trip.

Contact Julie on 01670 712055
juliewarnes@aol.com
www.sporttravelsolutions.net

TYRES



The Pirelli range includes the race bred Diablo Superbike range direct from BSB and WSBK, the world-class Diablo Supercorsa for Supersport competitors and the ultimate trackday tyre; the Pirelli Diablo Superbike Pro. For road riders there is the choice of the incredibly versatile Angel ST and the 'sport tyre for road and track' the Diablo Rosso Corsa. In Off Road, the Scorpion MX range helped Tony Cairoli (MX1) and Ken Roczen (MX2) to win Pirelli's 56th World MX Championships last season.

www.pirellimoto.co.uk
 Tel: 0845 609 4949



The Metzeler Racetec Interact range are THE tyres for the Metzeler National Superstock classes with K0, 1 and 2 race compounds and K3 for trackday and road use. This technology has helped create the 'all roads' Sportec M5 Interact and touring Roadtec Z8 Interact tyres. In Off-road the Metzeler 6 Days Extreme range are the dominant tyre in World and British Enduro as used by David Knight.

www.metzelmoto.co.uk
 Tel: 0845 609 4949

www.TartyBikes.co.uk

THE WORLD'S LEADING ONLINE BIKETRIALS SPECIALISTS



- Bikes from £379 for all ages & sizes.
- Next working day delivery available.
- International delivery a speciality.
- Full range of aftermarket parts.
- Live stock levels on website.
- Wide range of video guides.



2012 Onza bikes
now in stock.

Quote 'Trials' for 5% off!

*Expiry date: 07/02/12. May only be redeemed at time of transaction.

FOX

Inspired

MONTA

Onza

all

K&K

MAGURA

MBS Race Flagsuk



VOLUME DISCOUNT AVAILABLE
CALL FOR DETAILS

PLAIN
FLAGS*

£11.95

INFORMATION
FLAGS*

£16.95

PRINTED
CHEQUERED
FLAGS*

£9.95

SEWN
CHEQUERED
FLAGS*

£26.95

- UK Mainland carriage is FREE on all orders over £250 nett * Complete with pole
- We manufacture for all disciplines (including ACU, MSA, TT) Prices INCLUDE VAT

Carr Lane, Hoylake, Wirral CH47 4BG • Tel: 0151 632 6060 • Fax: 0151 632 5665

www.raceflagsuk.com

MBS
RACE FLAGS UK



doodson
MOTORSPORT

EXCLUSIVE
Personal Accident
Insurance for
Riders

for as little as
£240 inc IPT*

At Doodson we've been working hard with the ACU to create a great value for money insurance policy for riders to cover them for Accidental Injury and Sickness:

Example 1:

£10,000 Benefits for Death and Permanent Total Disablement
+ £100 per week benefit for Temporary Total Disablement**

= **ONLY £240** inc Insurance Premium Tax*

Example 2:

£15,000 Benefits for Death and Permanent Total Disablement
+ £200 per week benefit for Temporary Total Disablement**

= **ONLY £420** inc Insurance Premium Tax*

Add cover for Broken Bones from as little as £159
inc Insurance Premium Tax

Working in partnership with the



Call us on 0161 419 3000 and ask for the Motorsport Personal
Accident team and we'll tailor the cover for your needs.*

Photograph by Richard Blyth

**After 14 days and for 52 weeks. Price is based upon cover providing the benefits shown in example one on page overleaf to all members of the ACU.
* Please note that terms and conditions apply and that these statements do not in anyway constitute an offer of cover. Please contact us for a quotation. Cover is provided by Alpha Underwriting Ltd. and is underwritten at Lloyd's of London. Doodson Motorsport acts as the insurance intermediary. Doodson Broking Group & Doodson Motorsport are trading names of Arthur Doodson (Brokers) Ltd. Authorised & Regulated by the Financial Services Authority. Registered in England. Company no. 790401. Century House / Pepper Road / Hazel Grove / Stockport / SK7 5BW T | 0161 419 3000 F | 0161 419 3030 W | www.doodsonbg.com. alpha underwriting limited is authorised and regulated by the Financial Services Authority (FSA Reference 504604) and is a member of the Financial Ombudsman Service.